

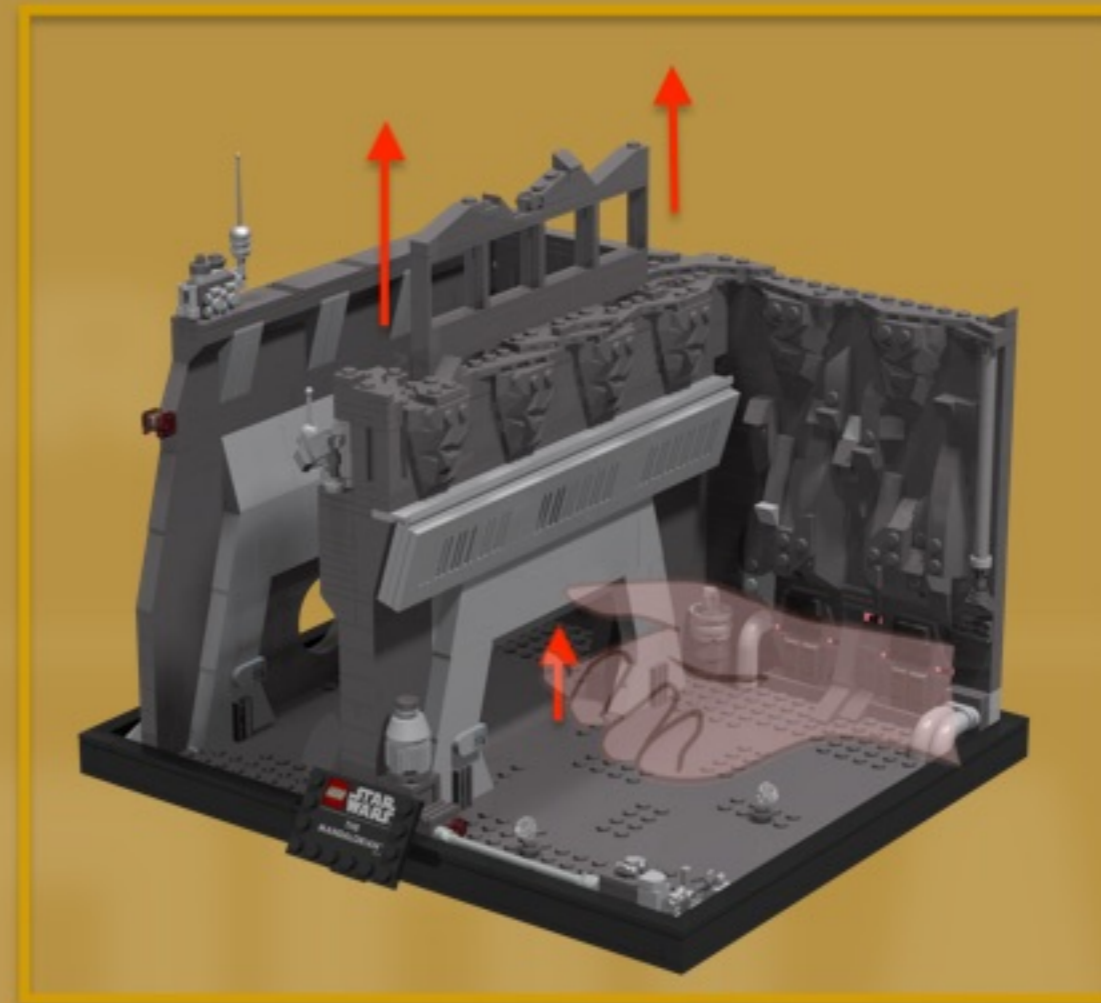


THE DEATH OF PAZ VISLA - 1024 PCS.



THE MANDALORIAN SEASON 3'S PENULTIMATE EPISODE, "THE SPIES," BROUGHT THE DAWN OF THE FIRST ORDER CLOSER THAN EVER AND ENDED WITH THE DEVASTATING DEATH OF A MAJOR CHARACTER. THE EPISODE MARKED THE FIRST TIME A NAMED MEMBER OF THE TRIBE WAS KILLED ON SCREEN, WITH THE MOMENT SERVING AS A FINAL DAMNING BLOW AFTER MOFF GIDEON CAPTURED DIN DJARIN, PREPARED A STRIKE ON THE MANDALORIANS AND FORCED BO-KATAN INTO A RETREAT. THE PRAETORIAN GUARDS WILL THEREFORE HAVE THE UPPER HAND, BUT PAZ RISLA'S SACRIFICE WILL NOT BE IN VAIN...

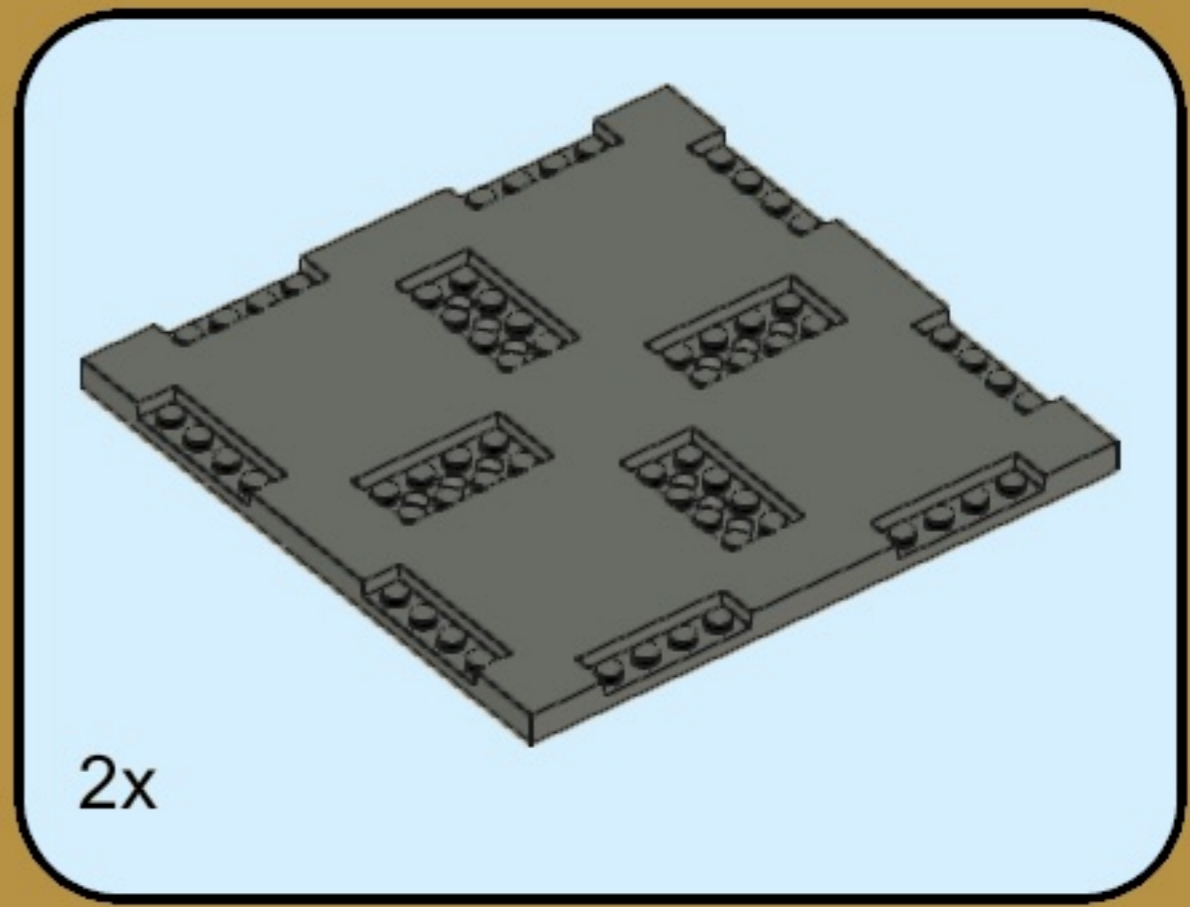
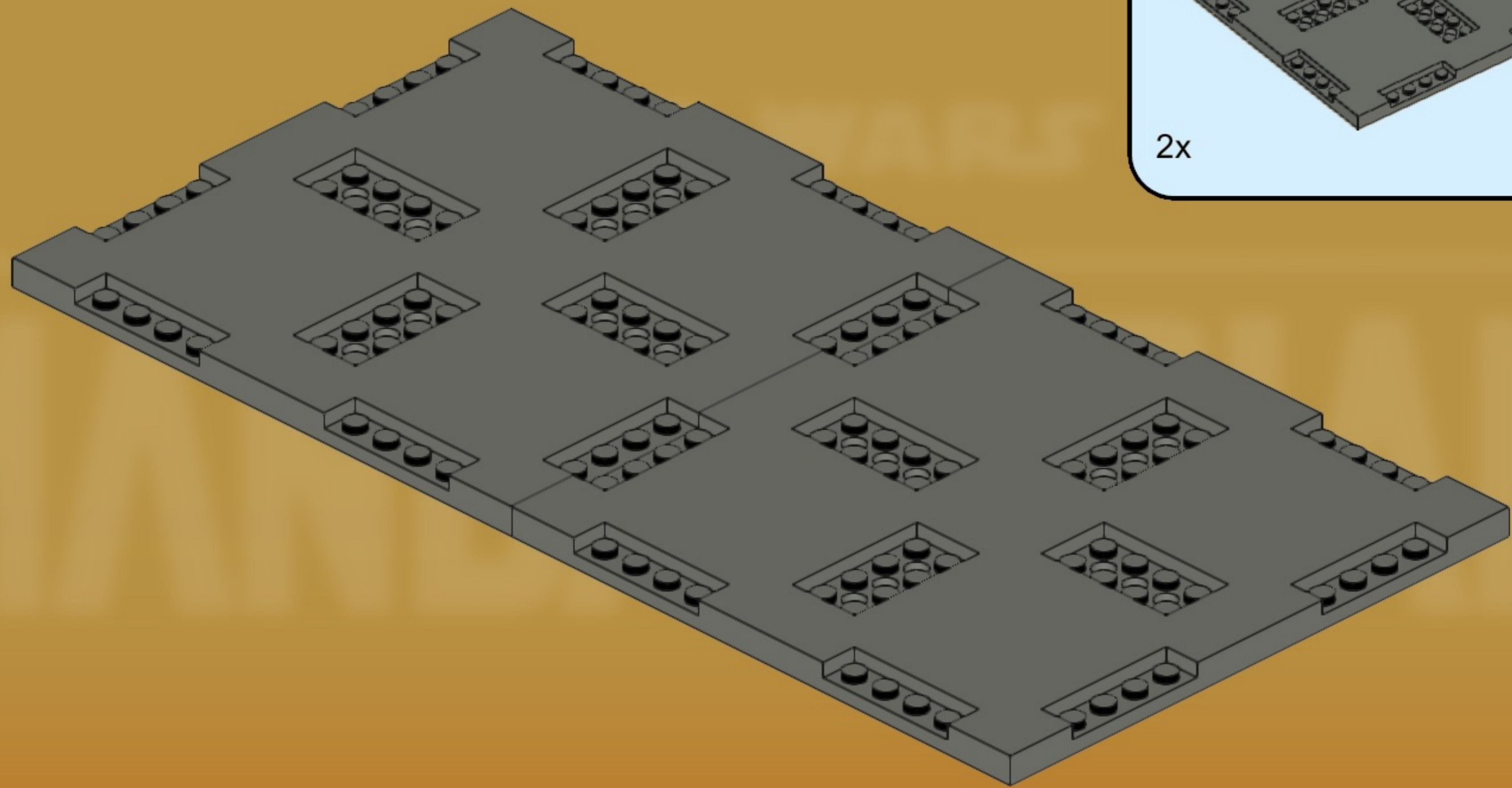




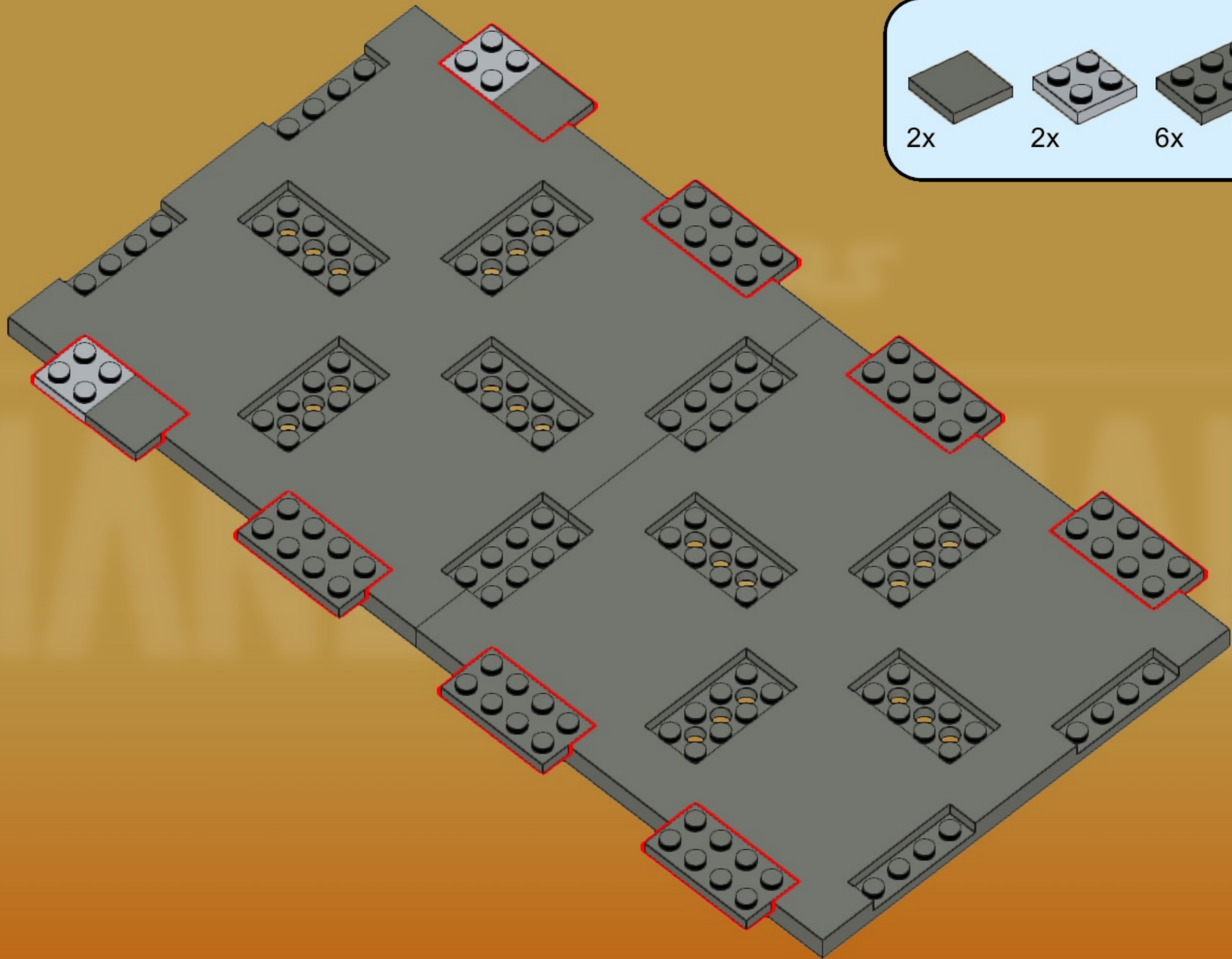
...BUT IF YOU WANT YOU CAN LIFT THE DOOR AND GIVE LIFE TO THE SCENES BEFORE THE UNFORTUNATE DEPARTURE, MAKING THE MANDALORIANS FIGHT TOGETHER AGAINST THE TROOPS OF THE DARK MOFF GIDEON, ADD OR REMOVE THE MINIFIGURES TO GIVE LIFE TO AS MANY FIGHTS AS YOU WANT *

*Lift the door gently and from below as shown in the image

1

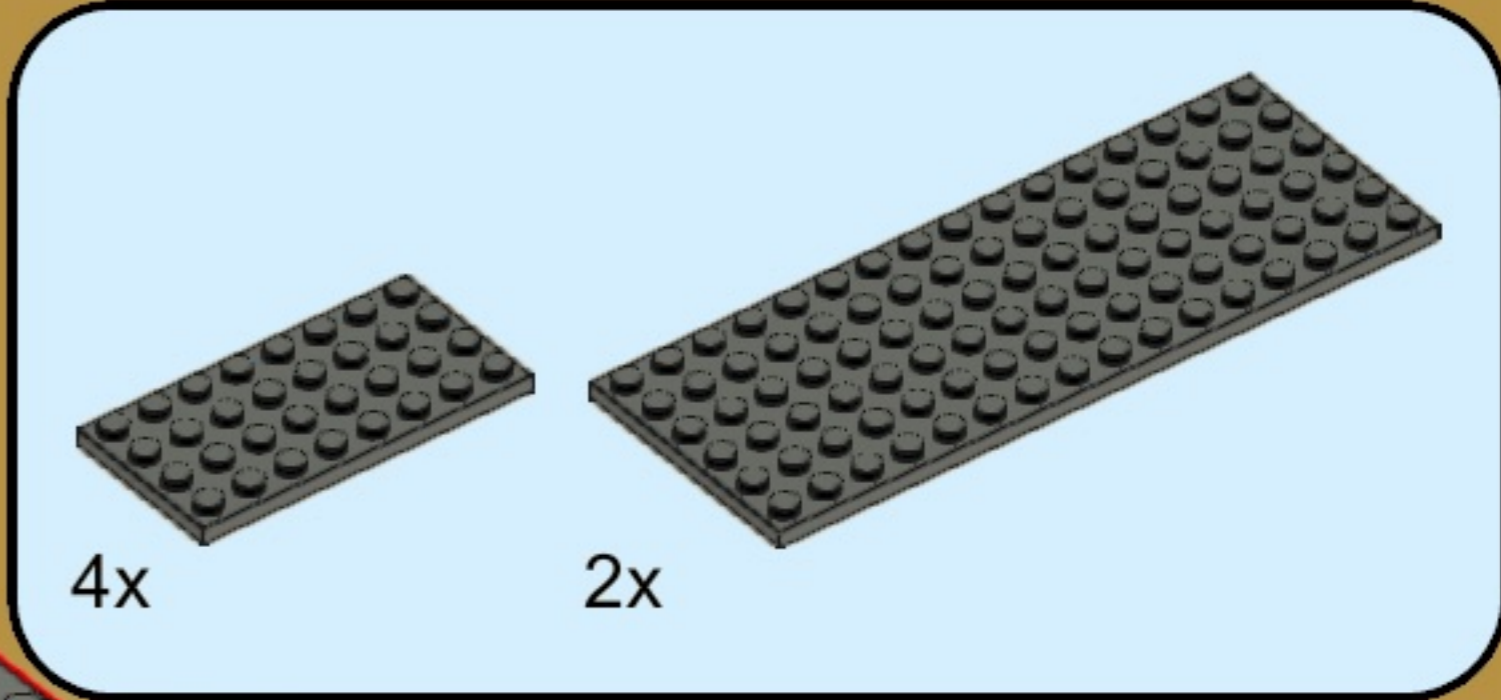
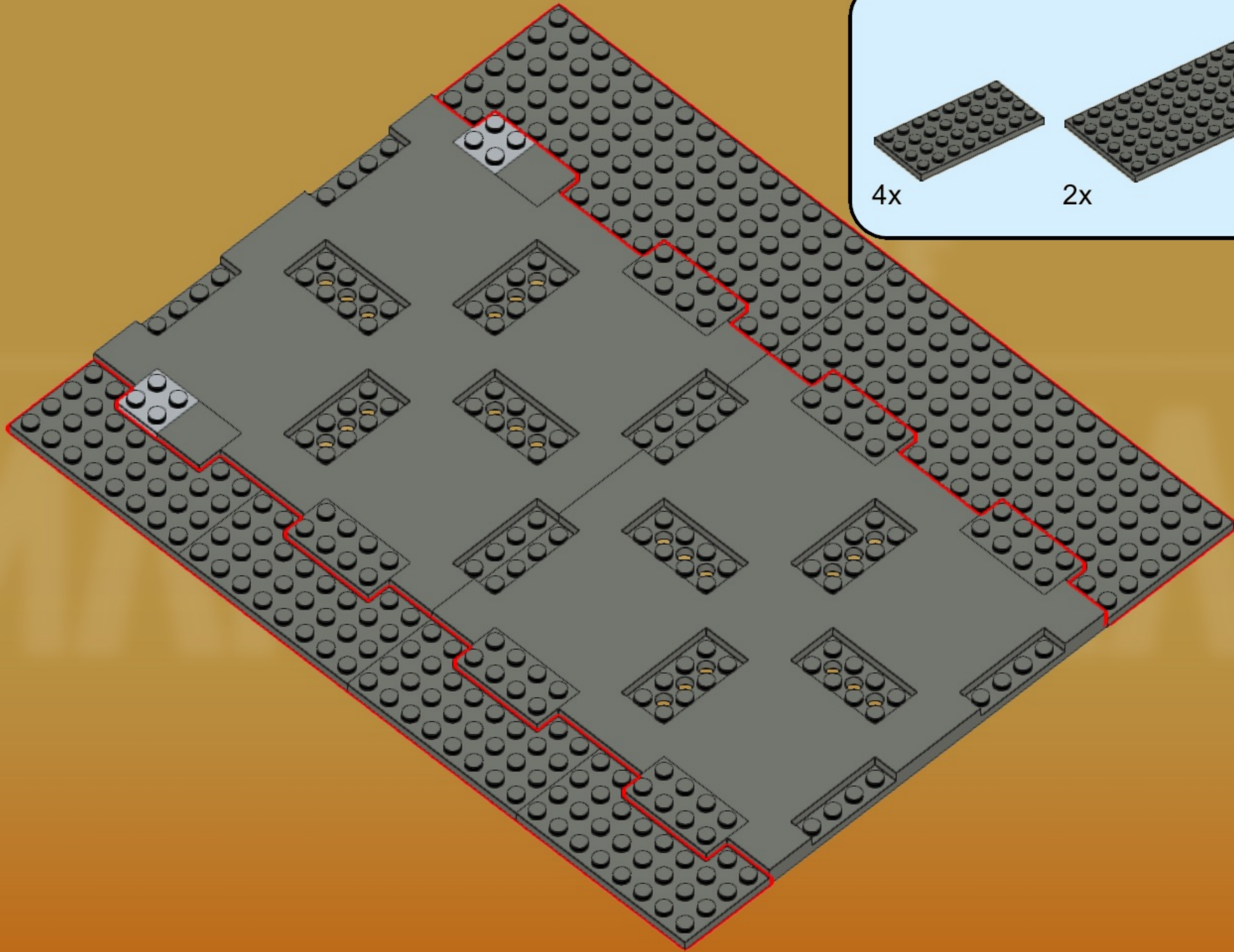


2

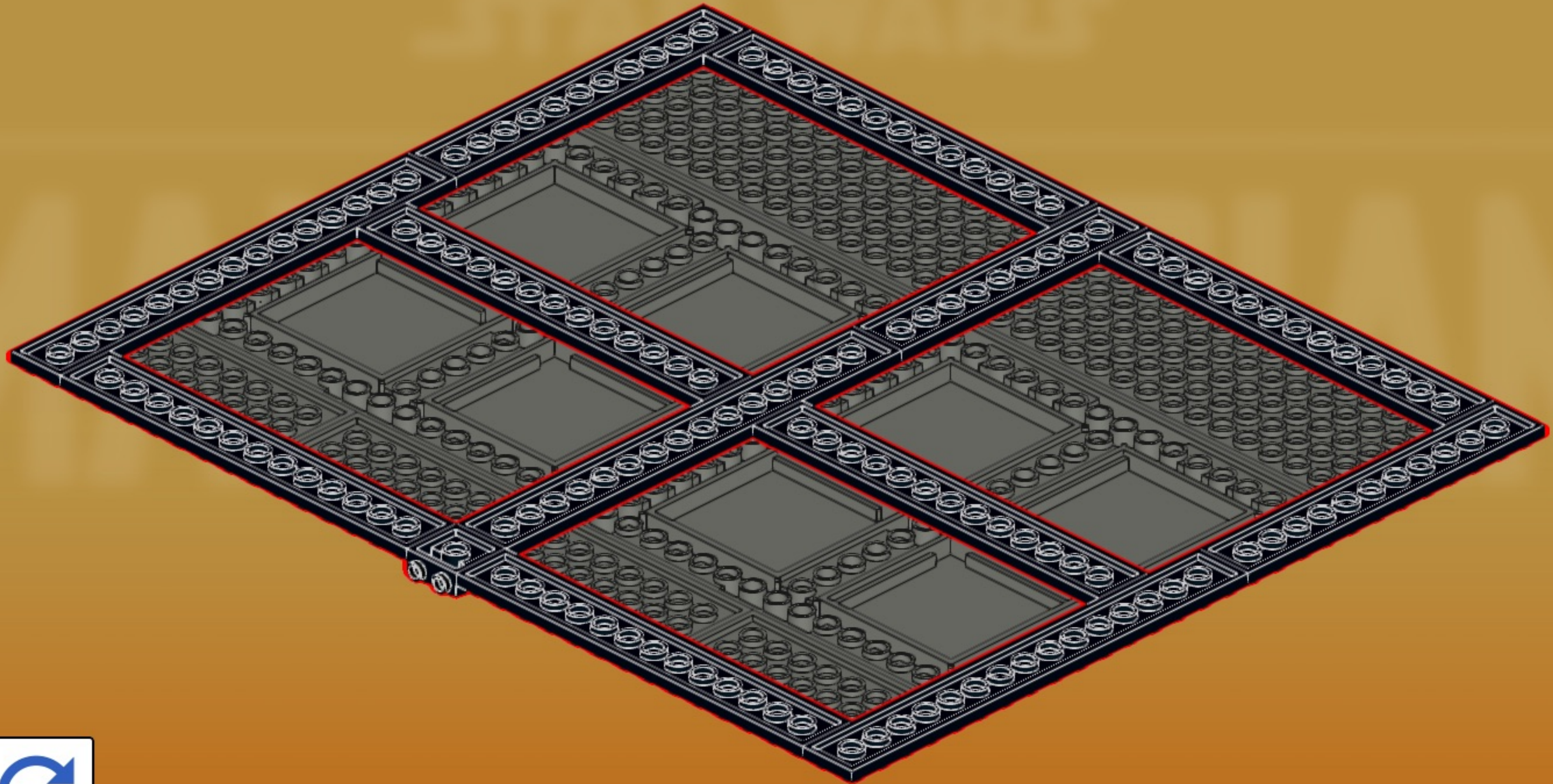
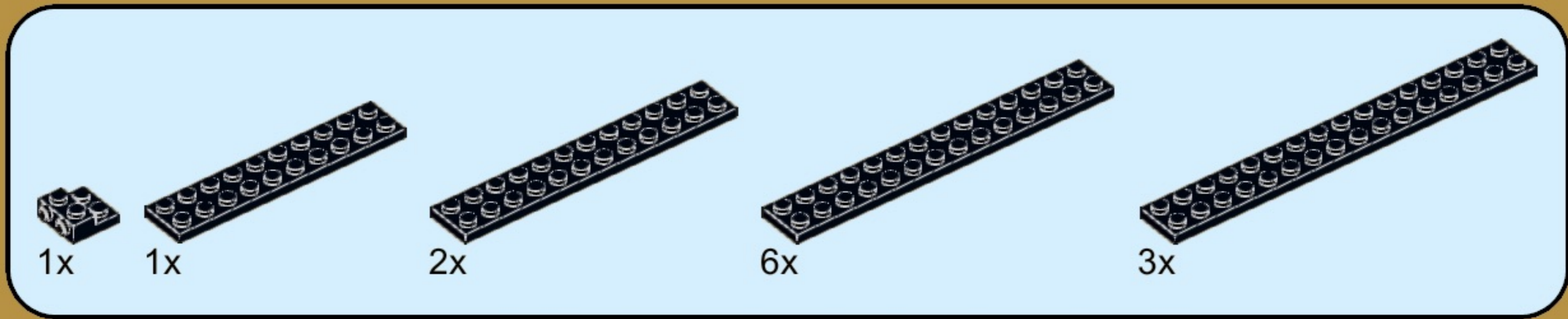


2x 2x 6x

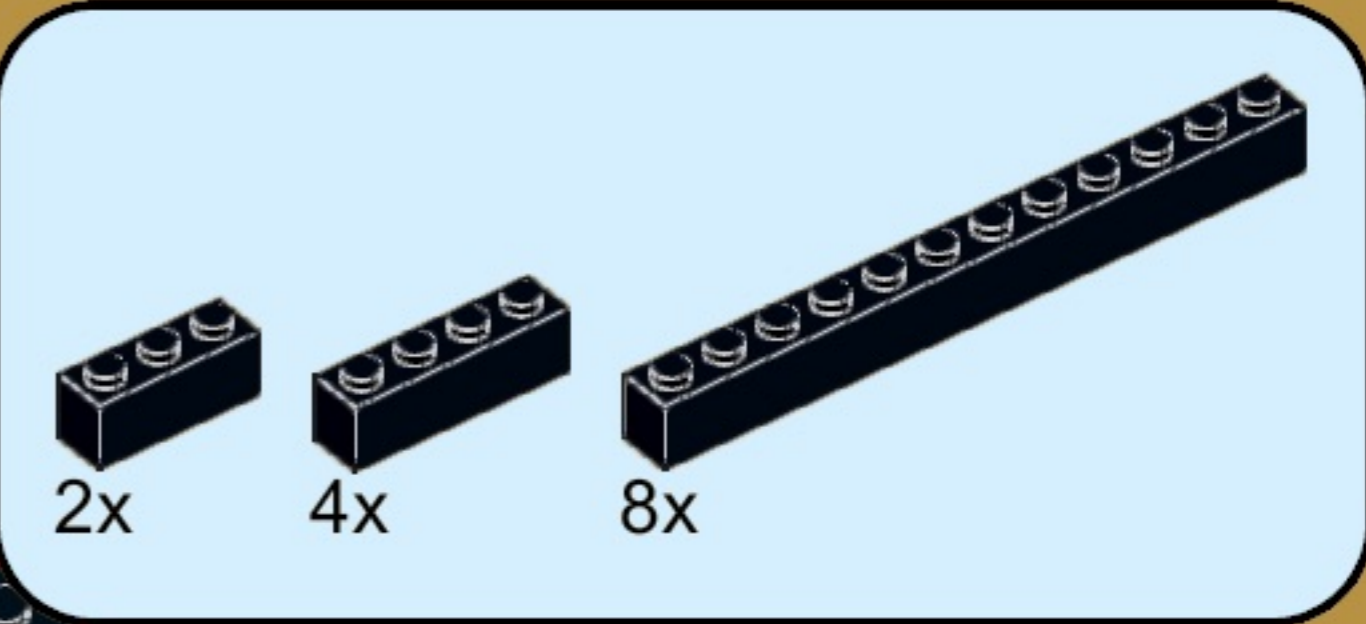
3



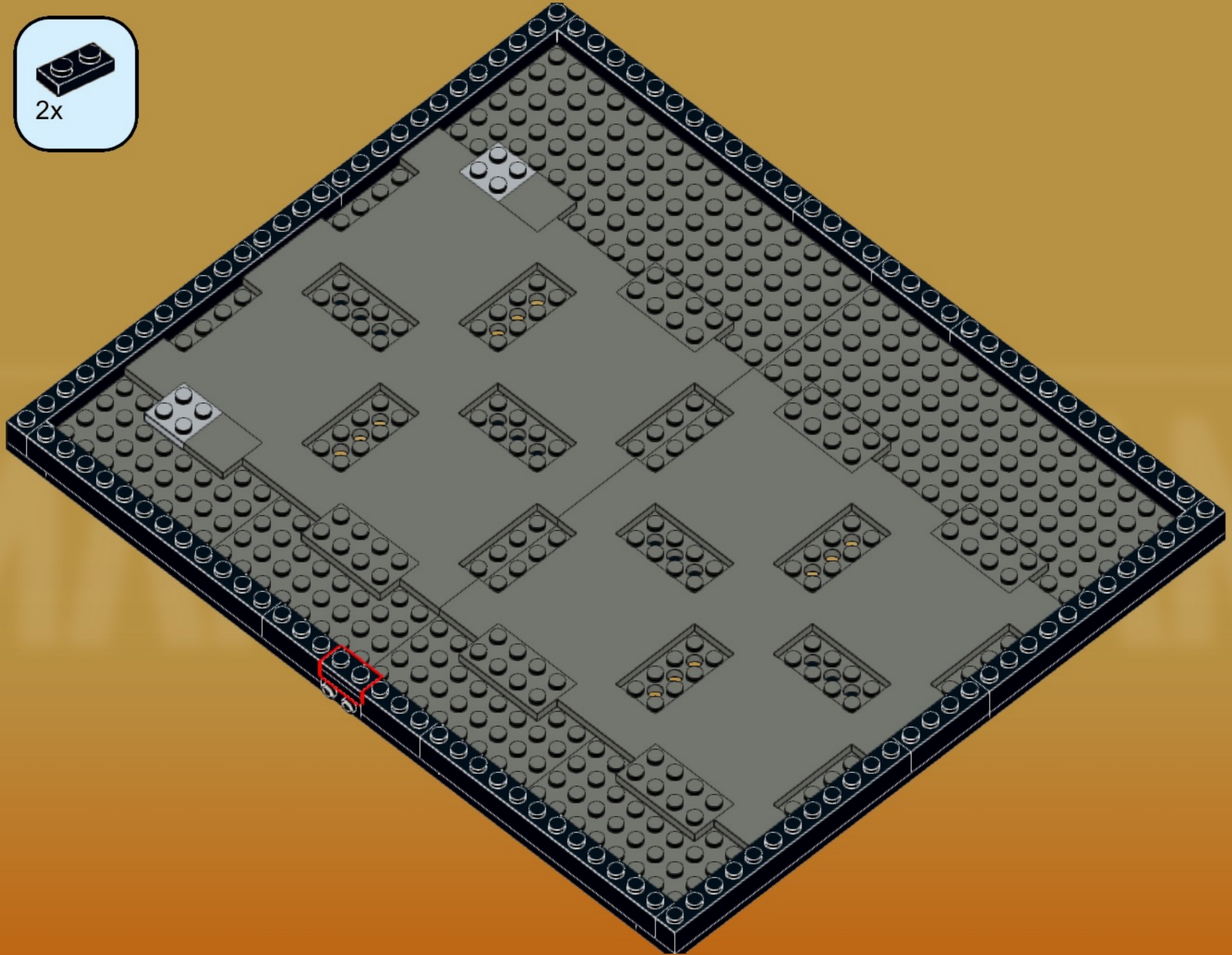
4



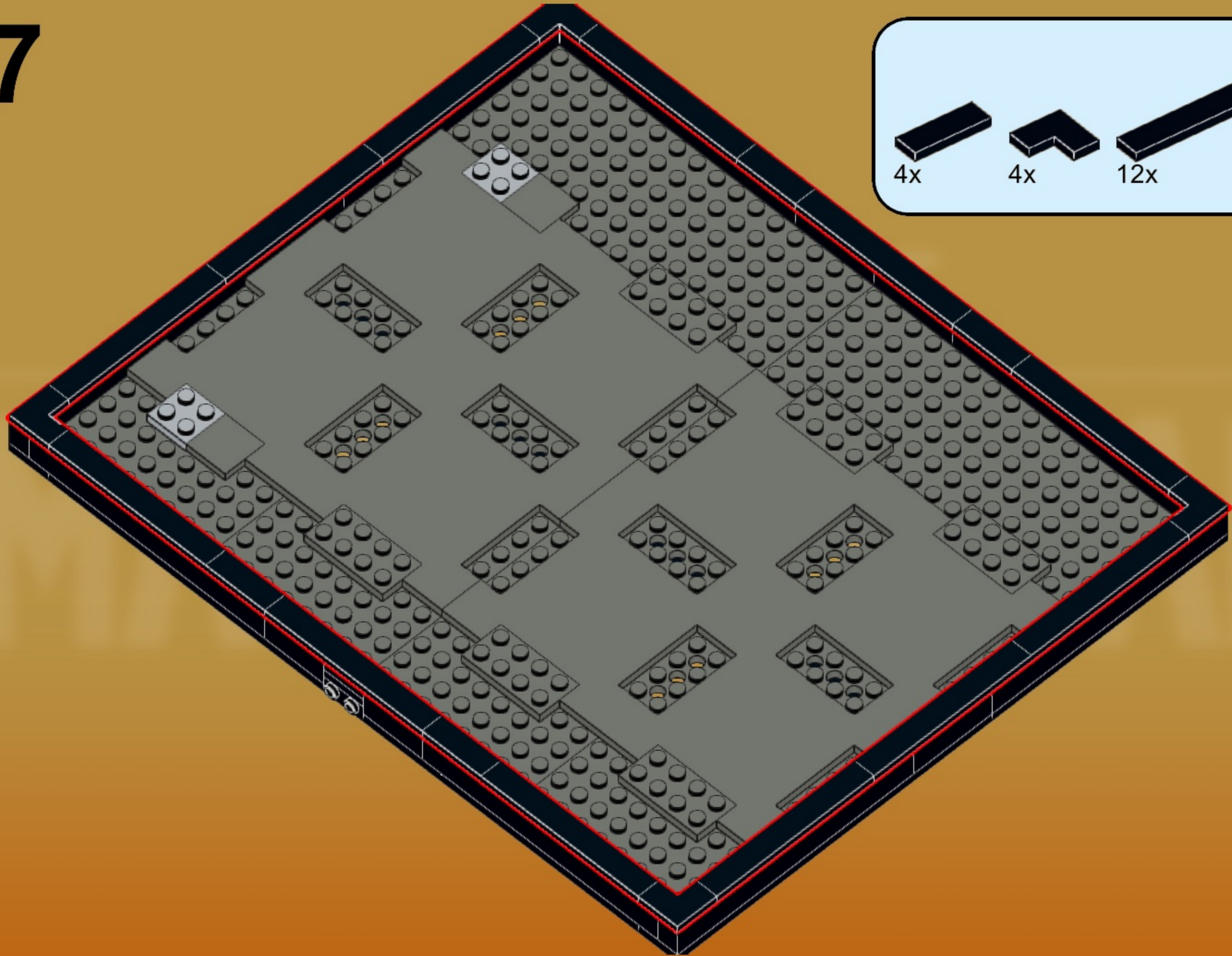
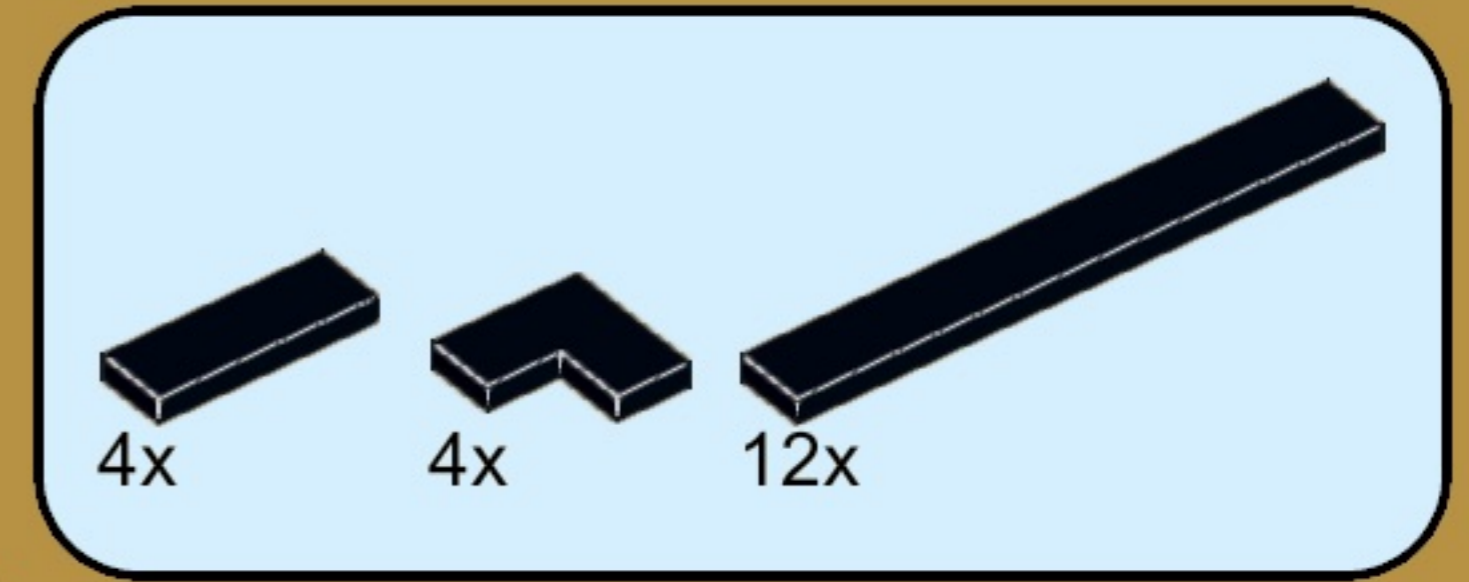
5



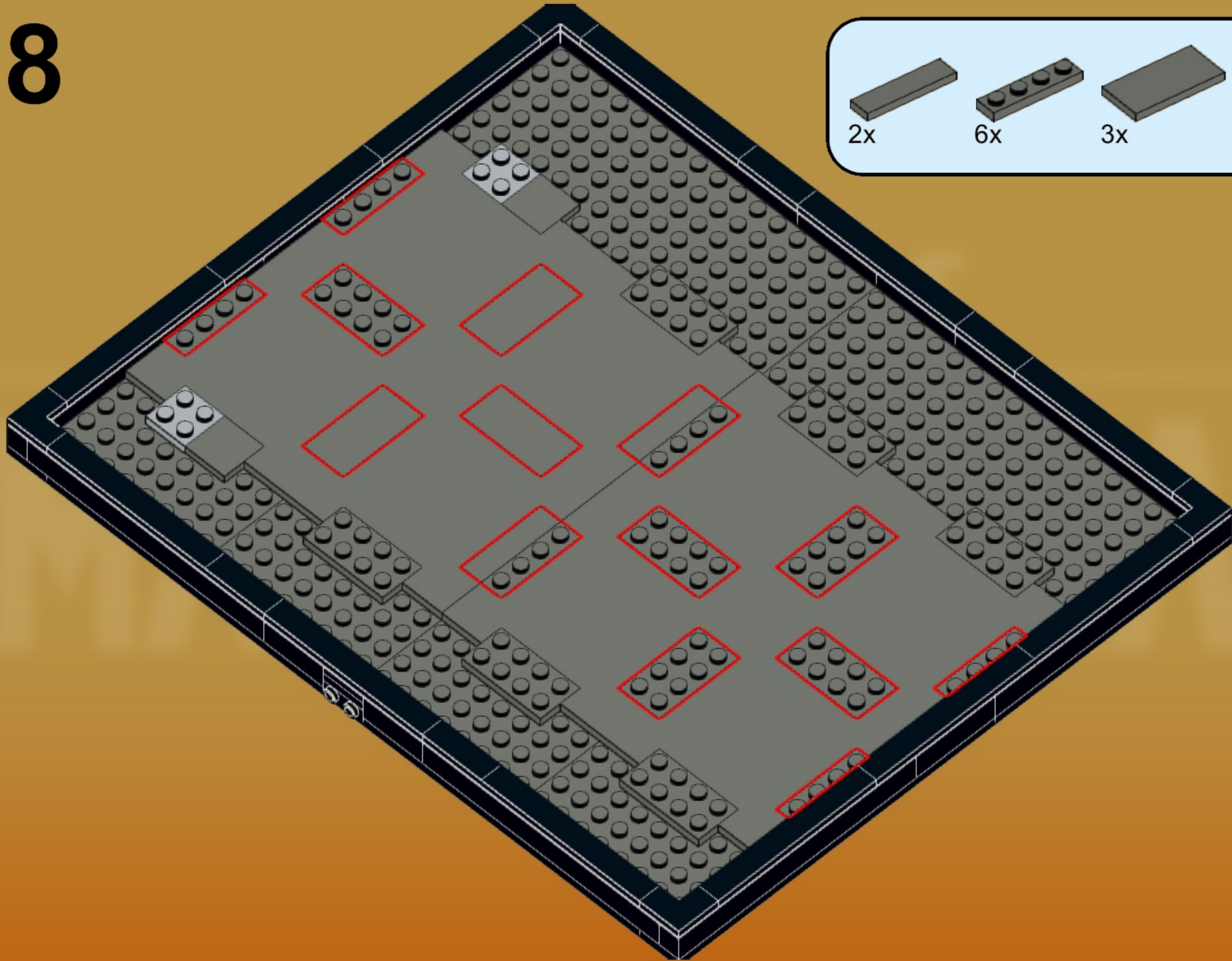
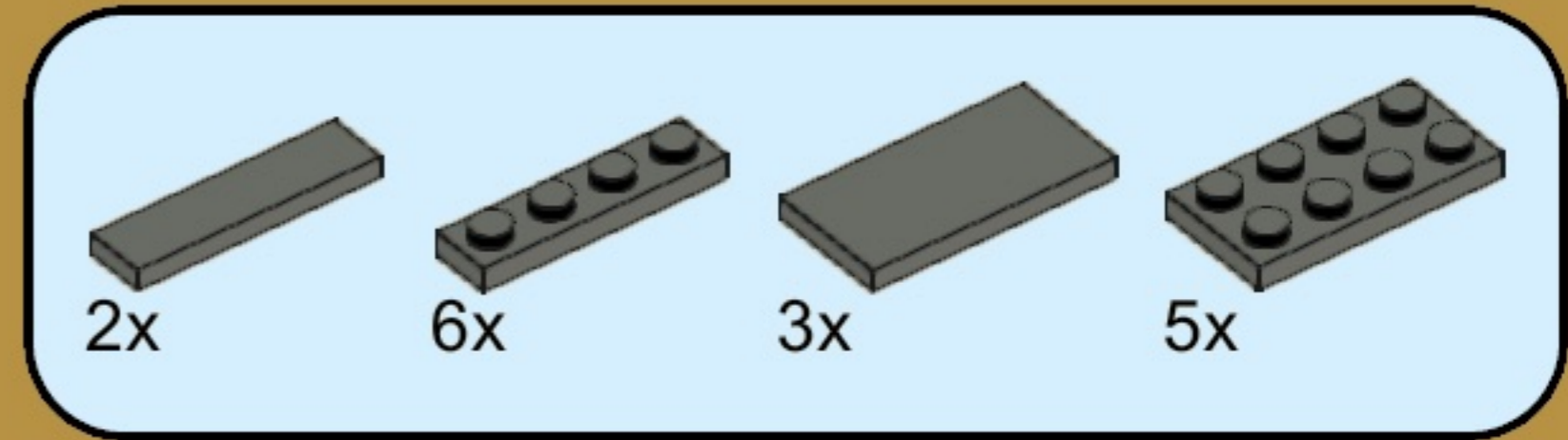
6



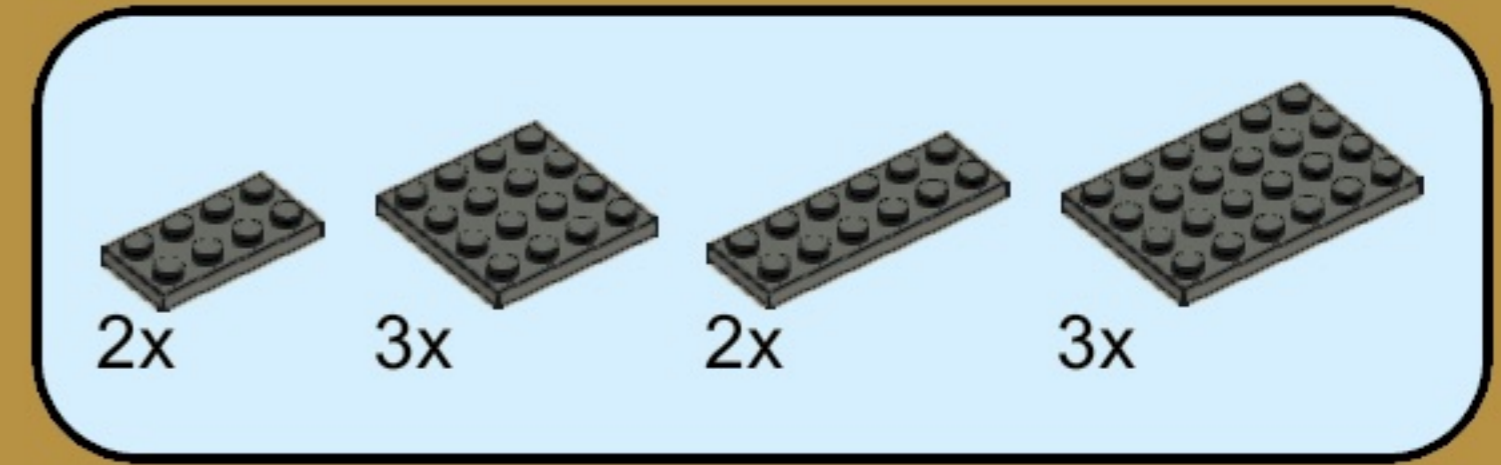
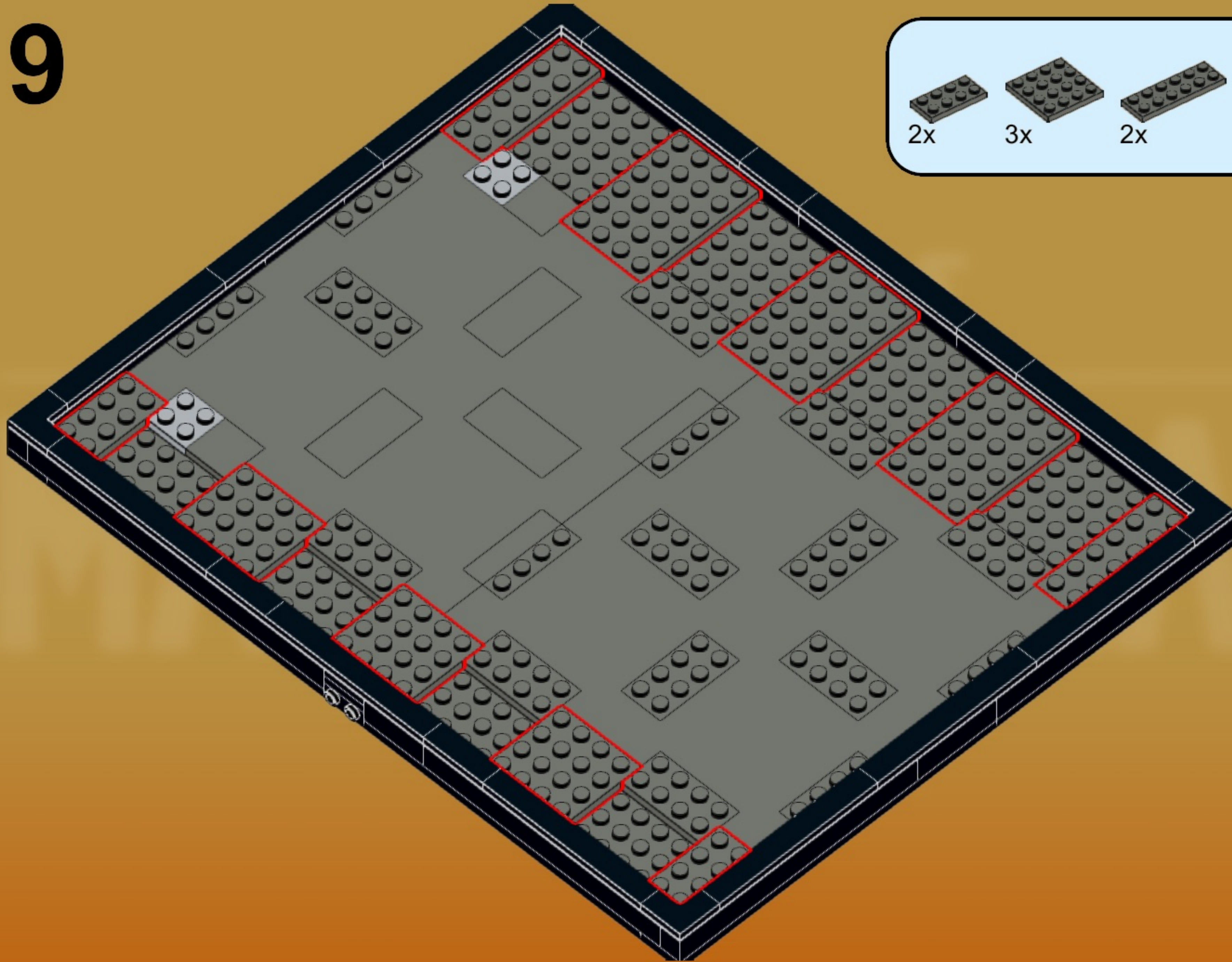
7



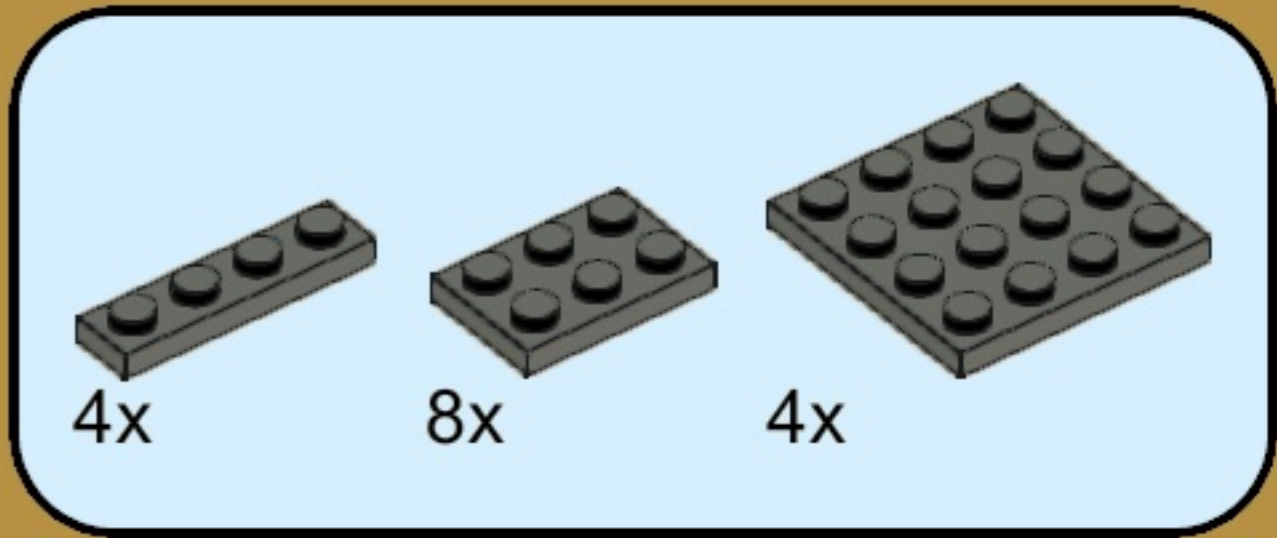
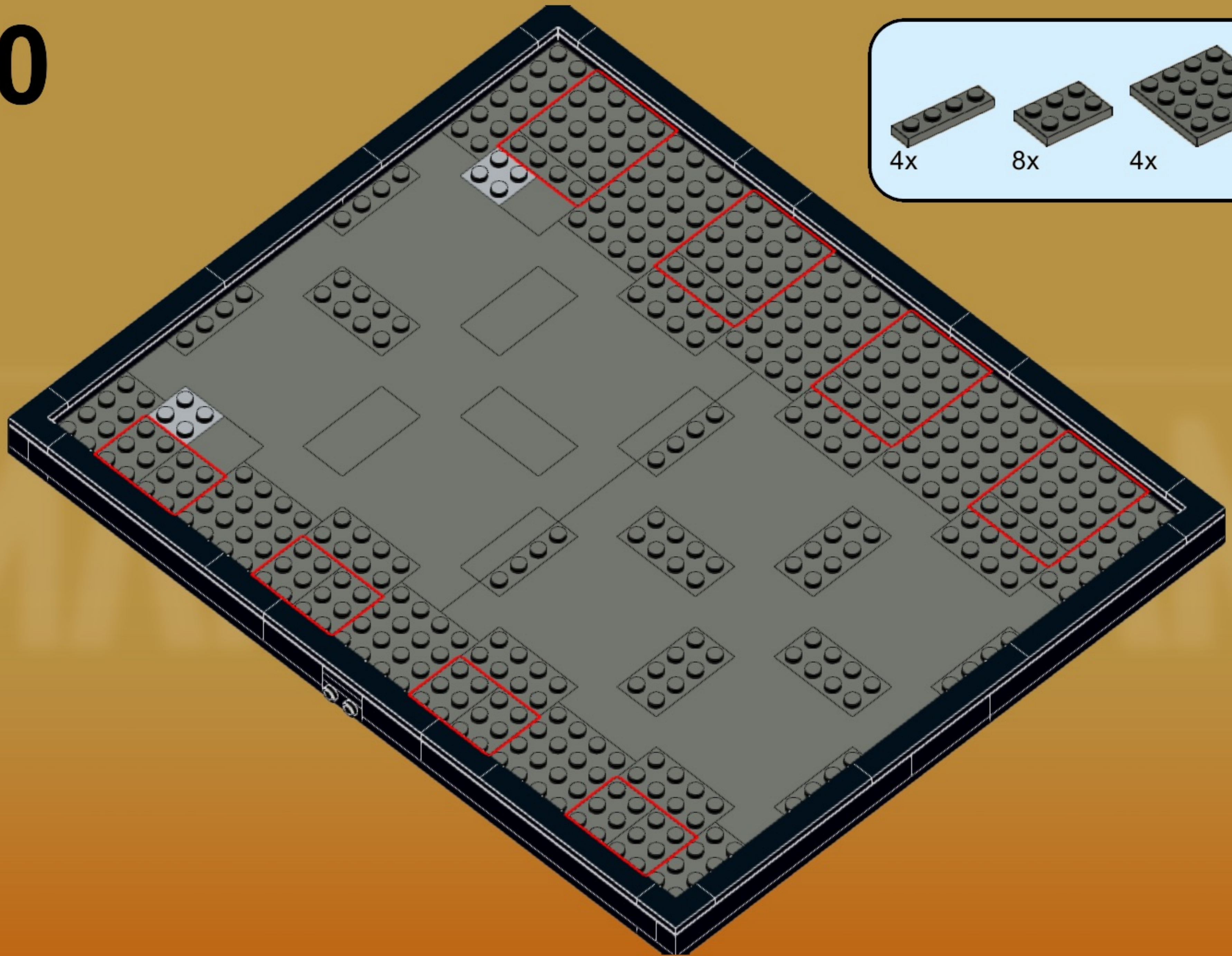
8



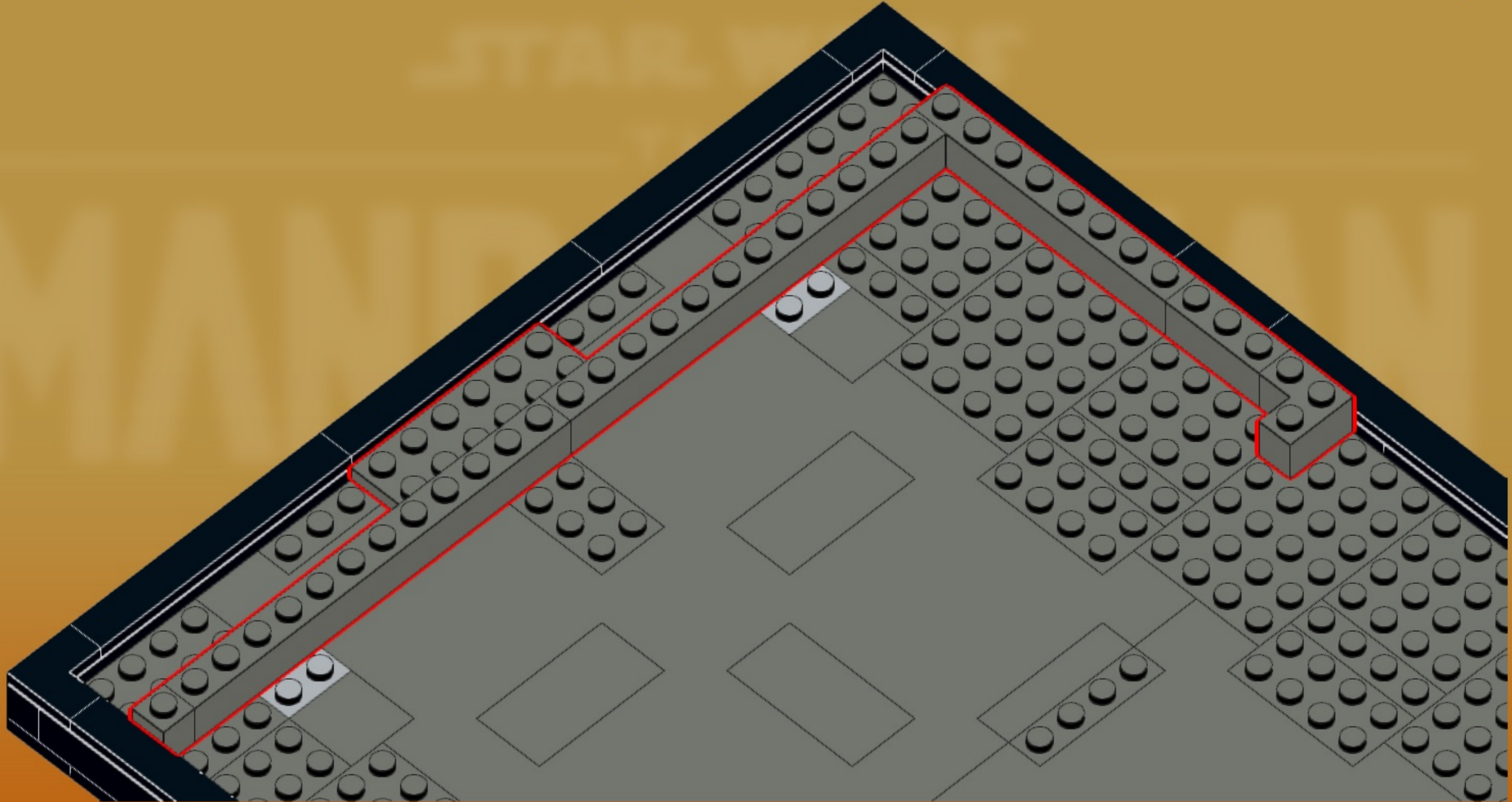
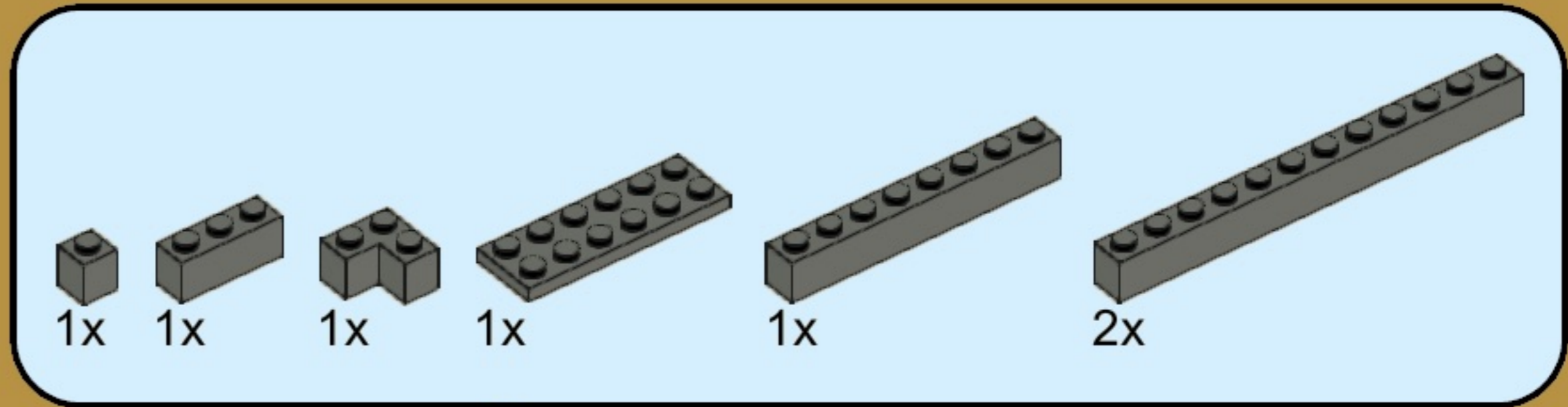
9



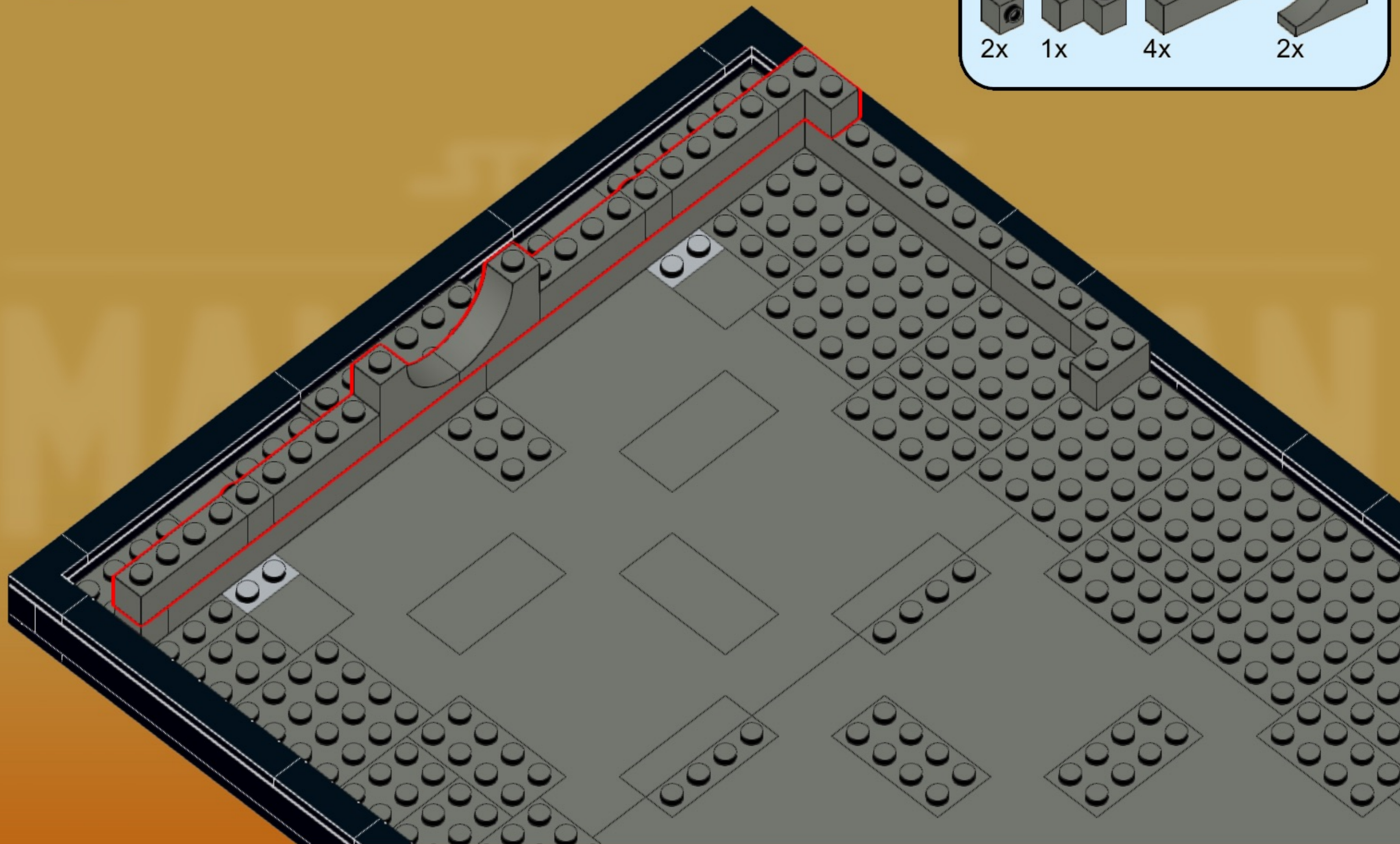
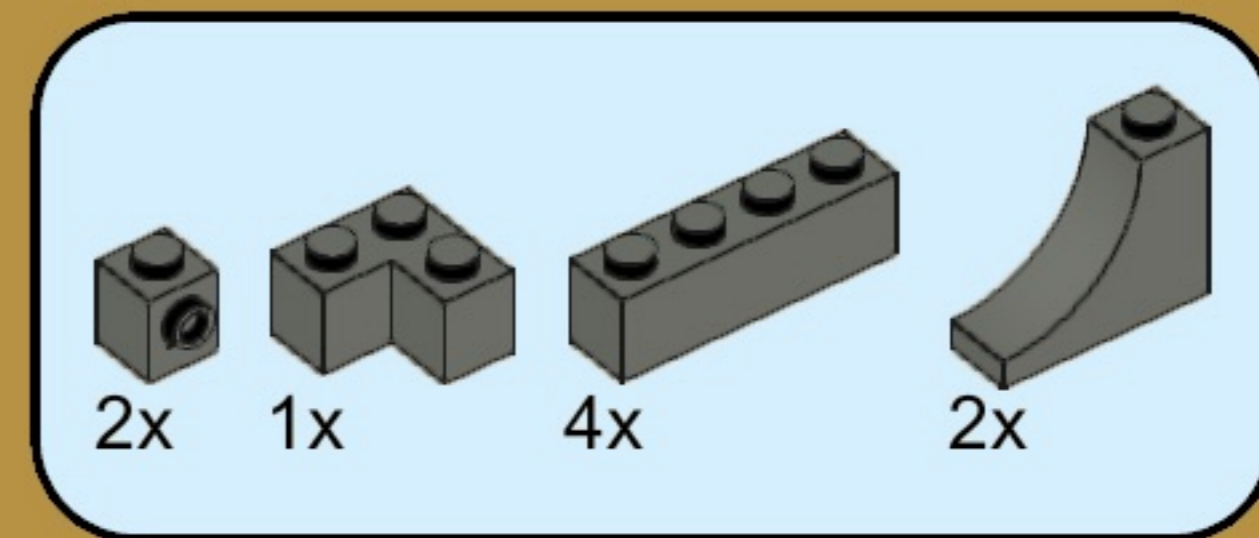
10



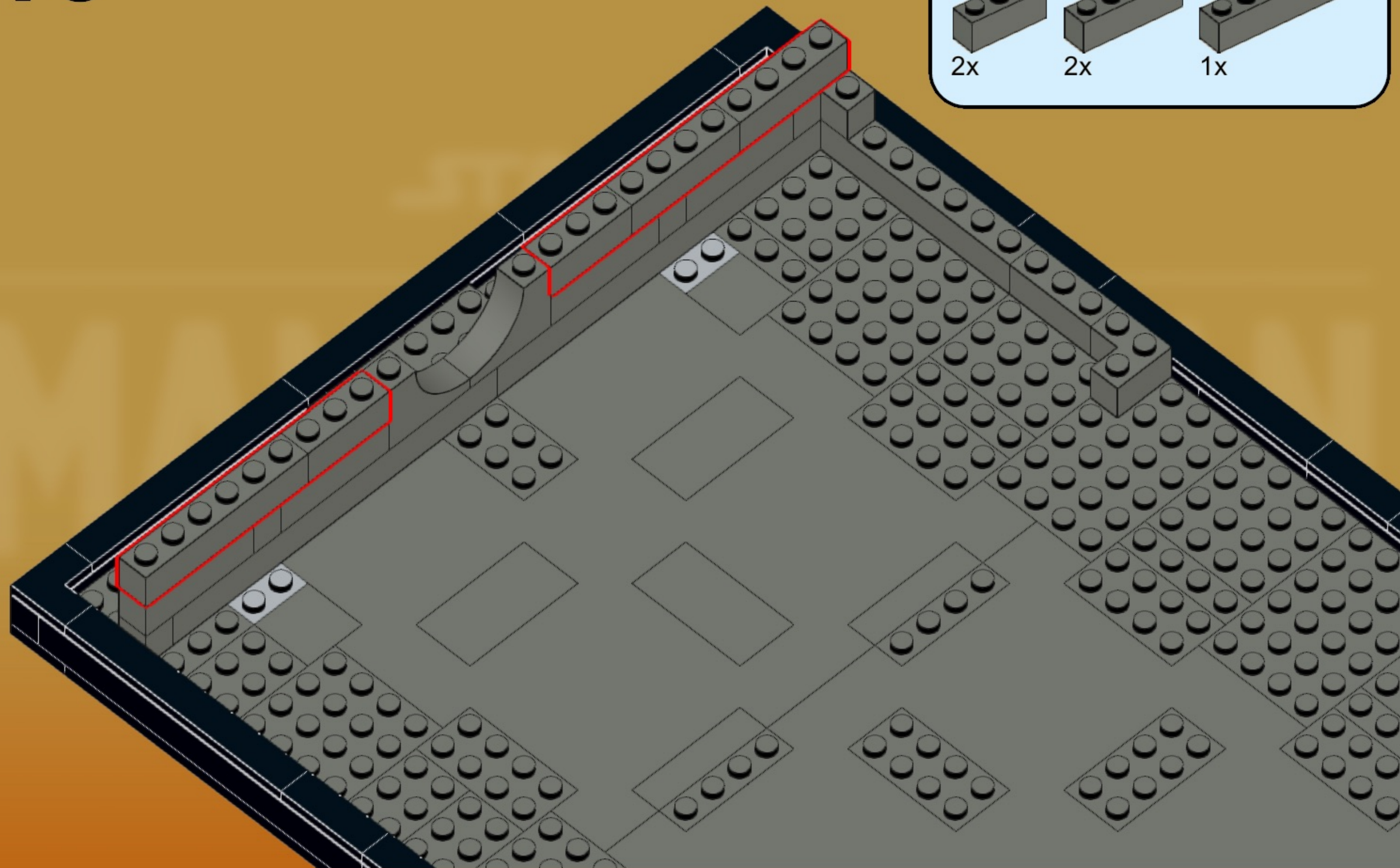
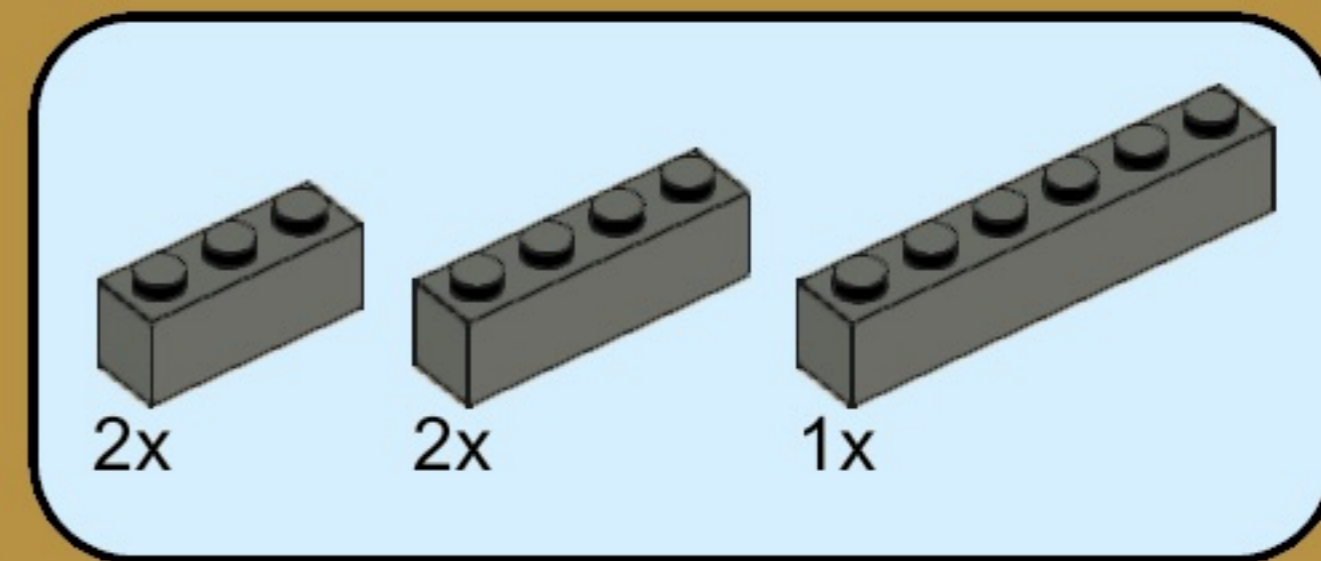
11



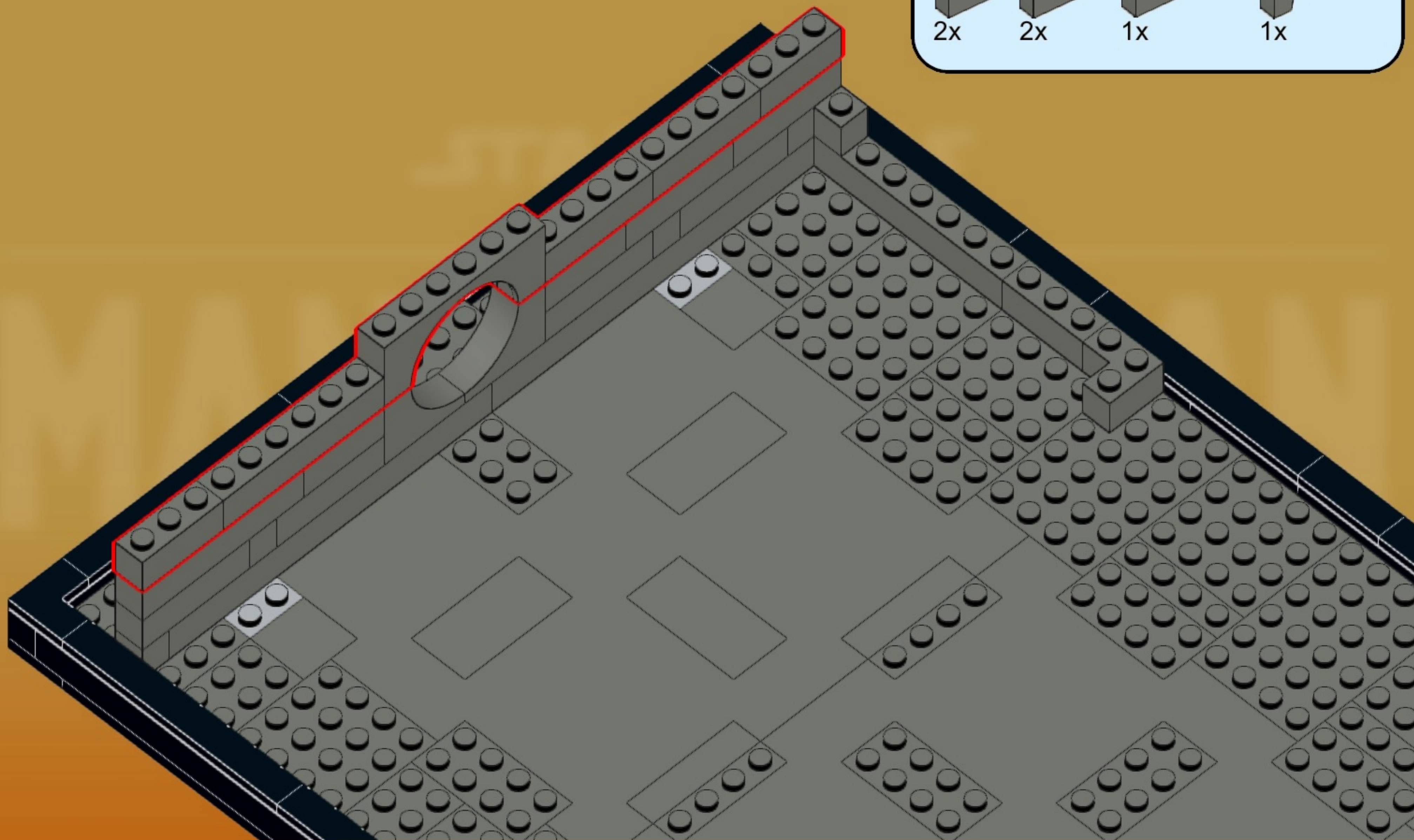
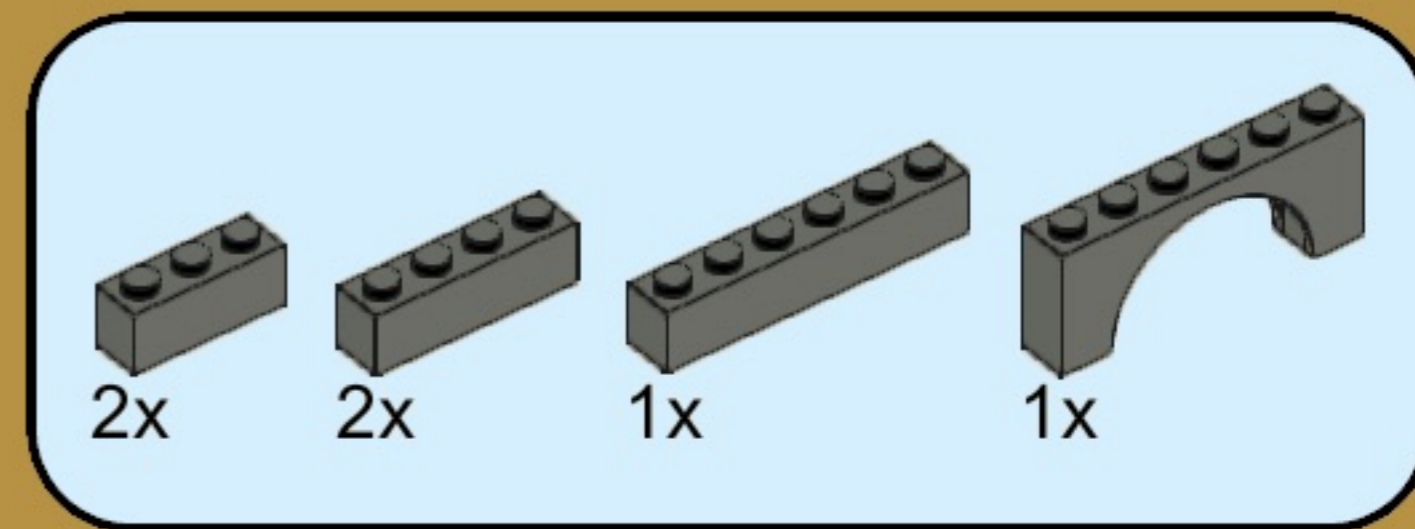
12



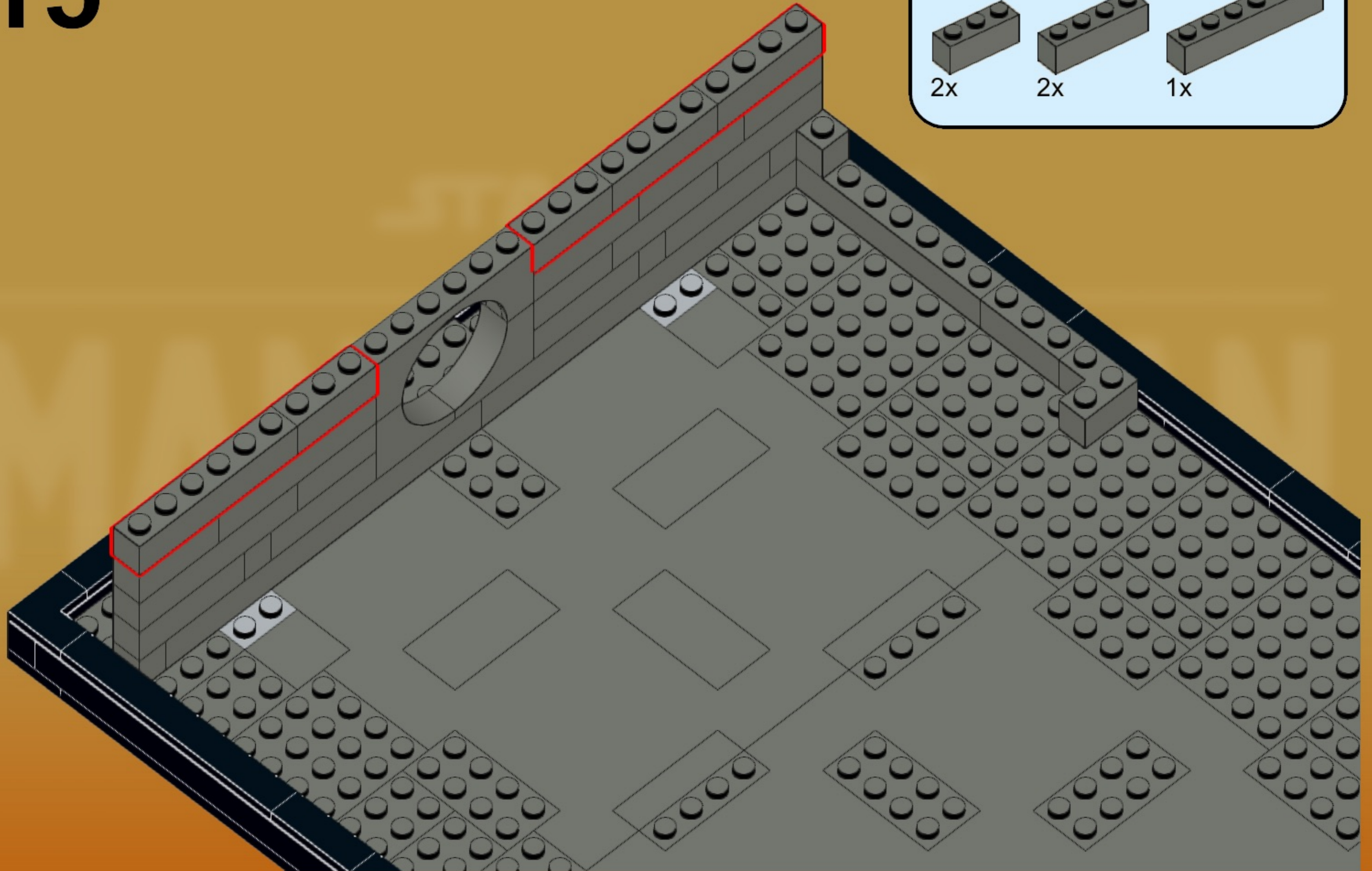
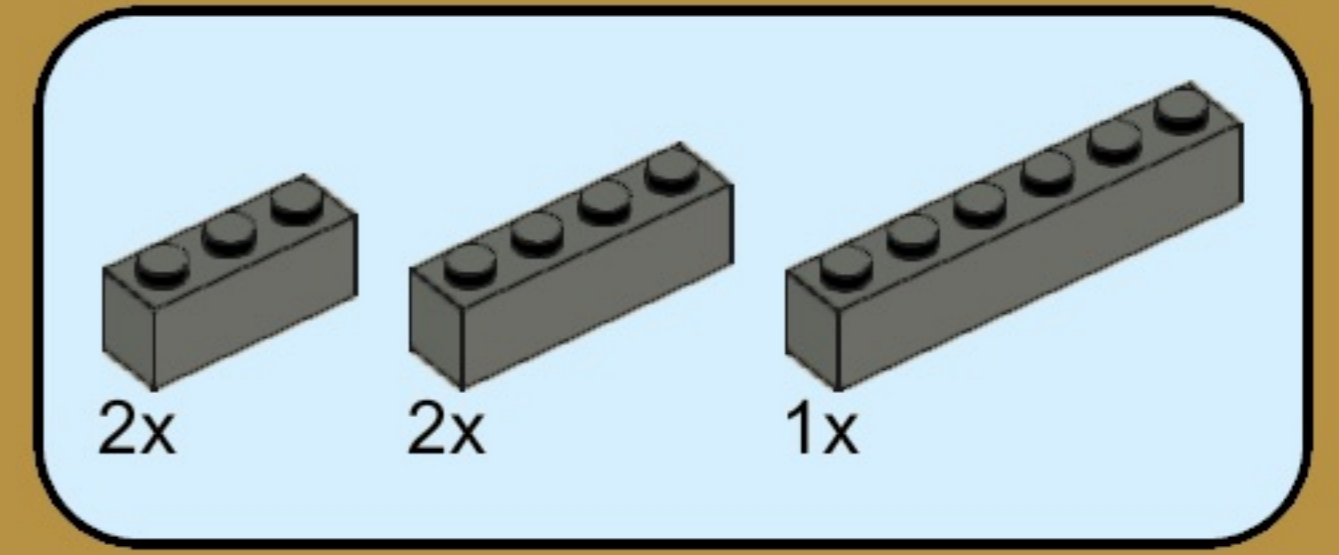
13



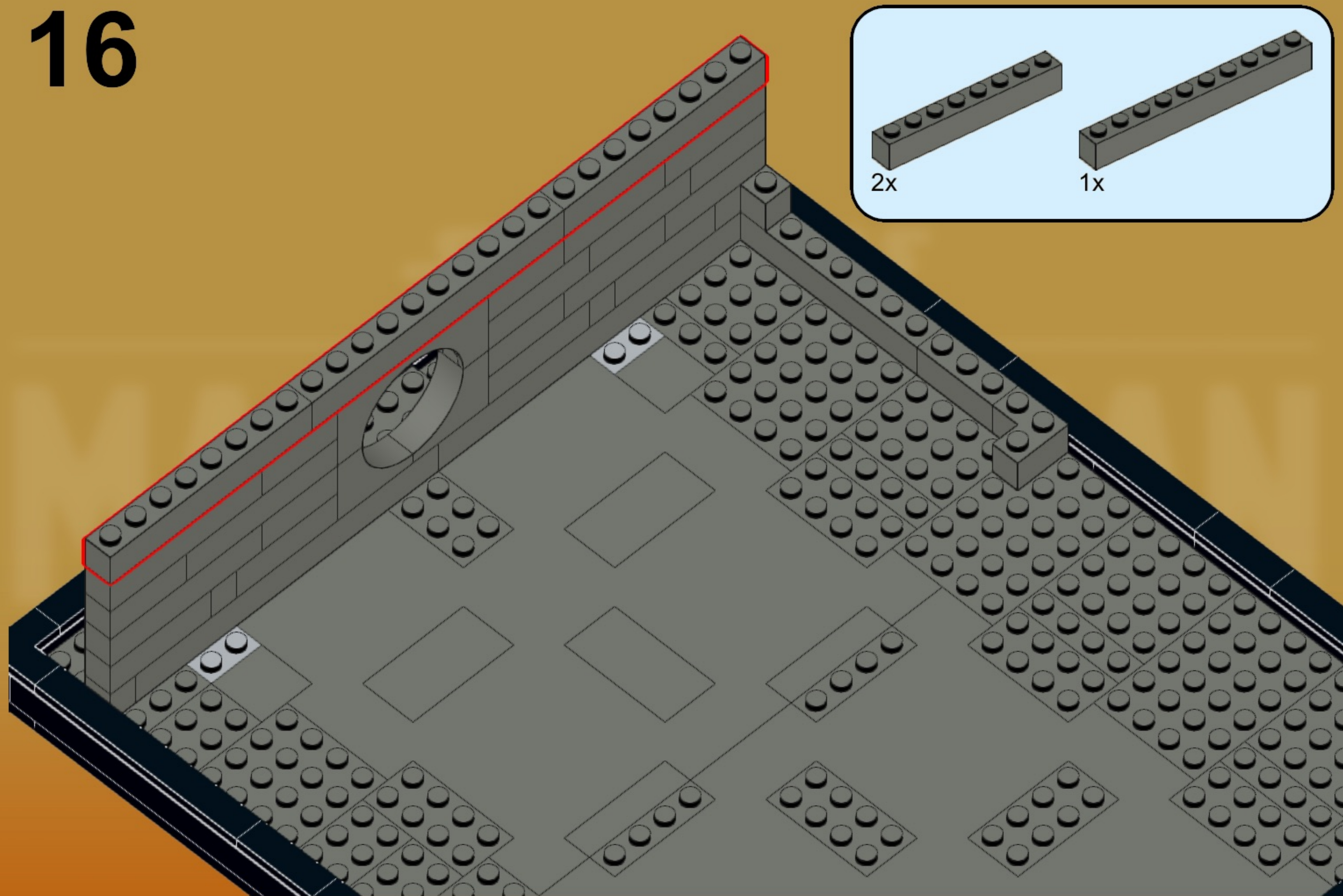
14



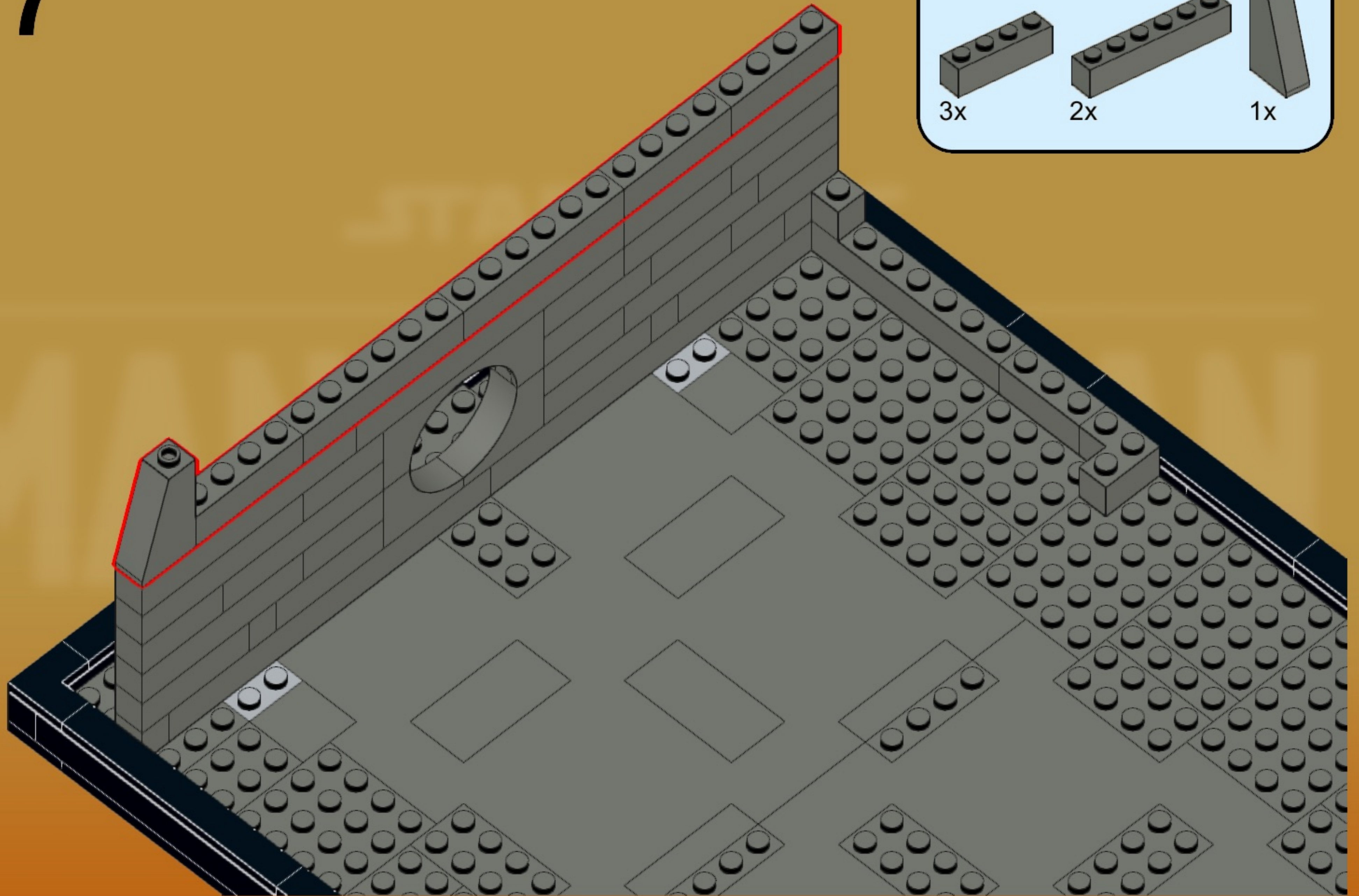
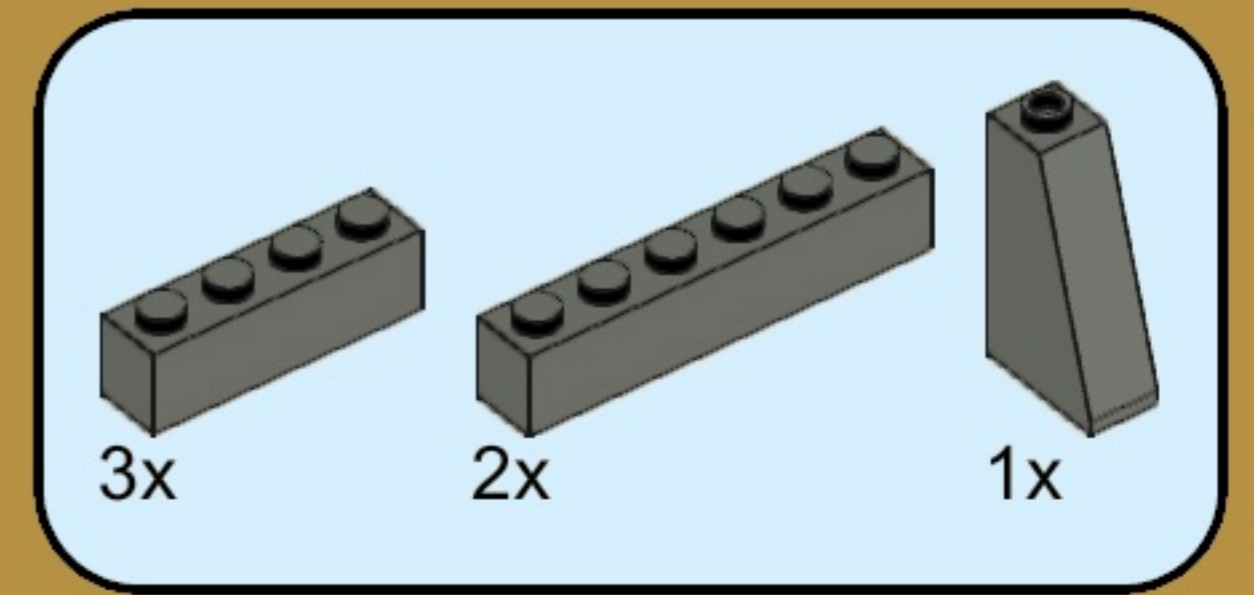
15



16



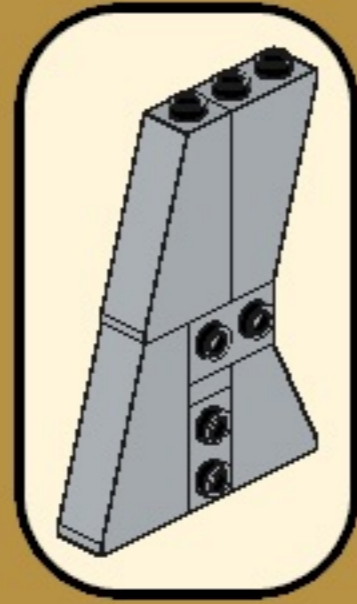
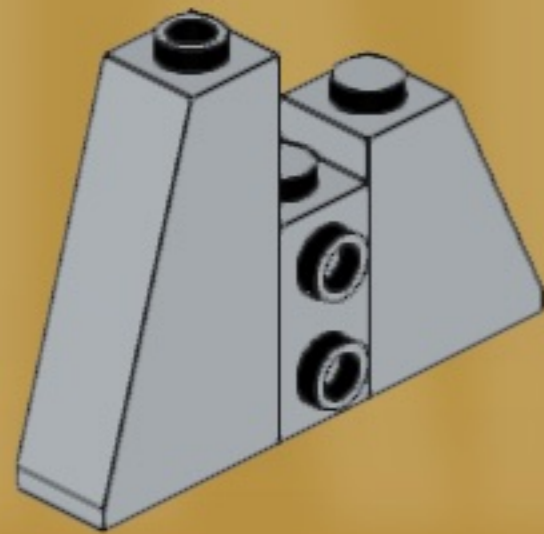
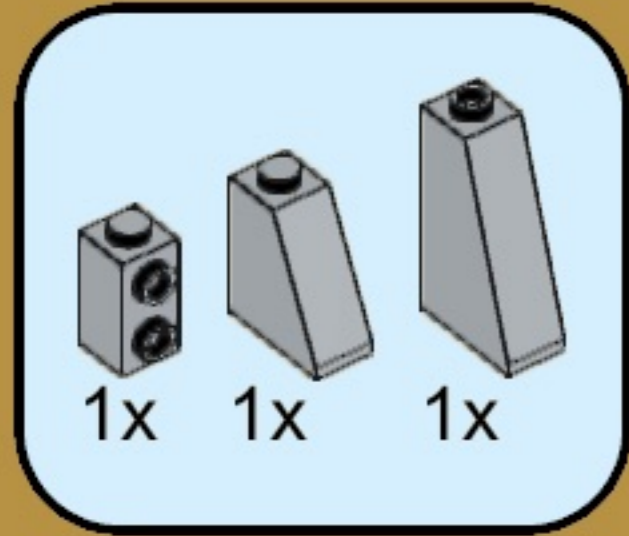
17



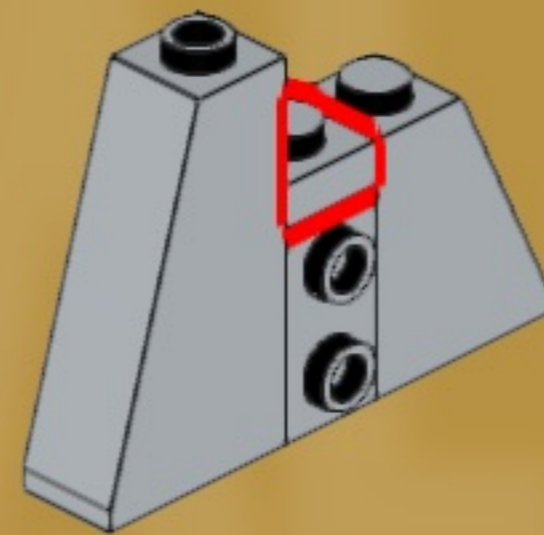
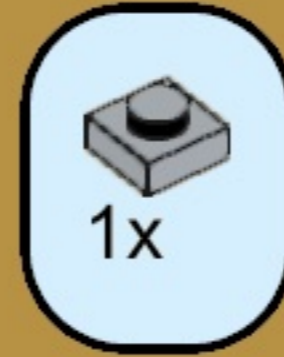
18



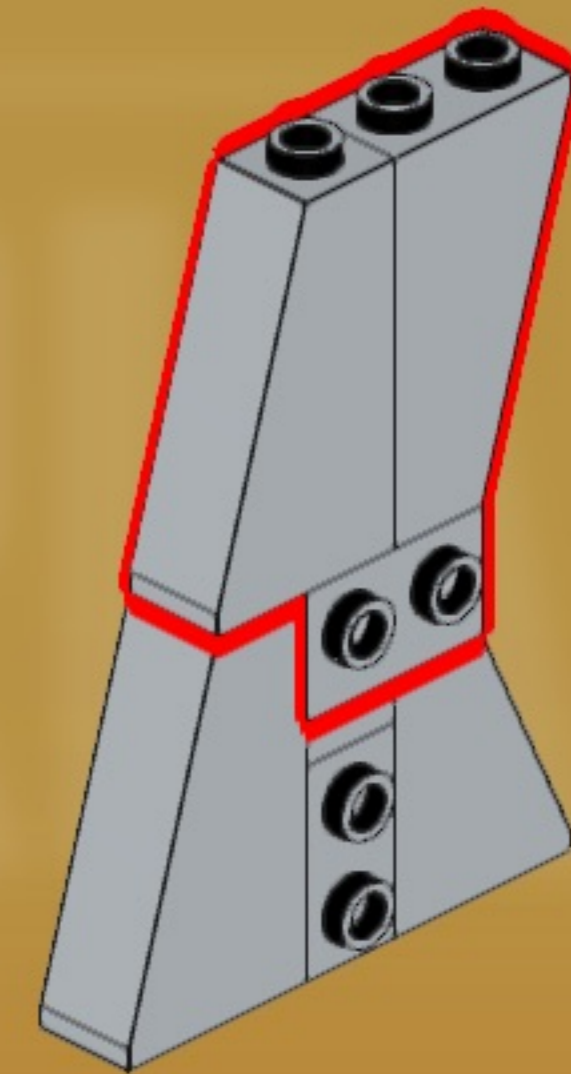
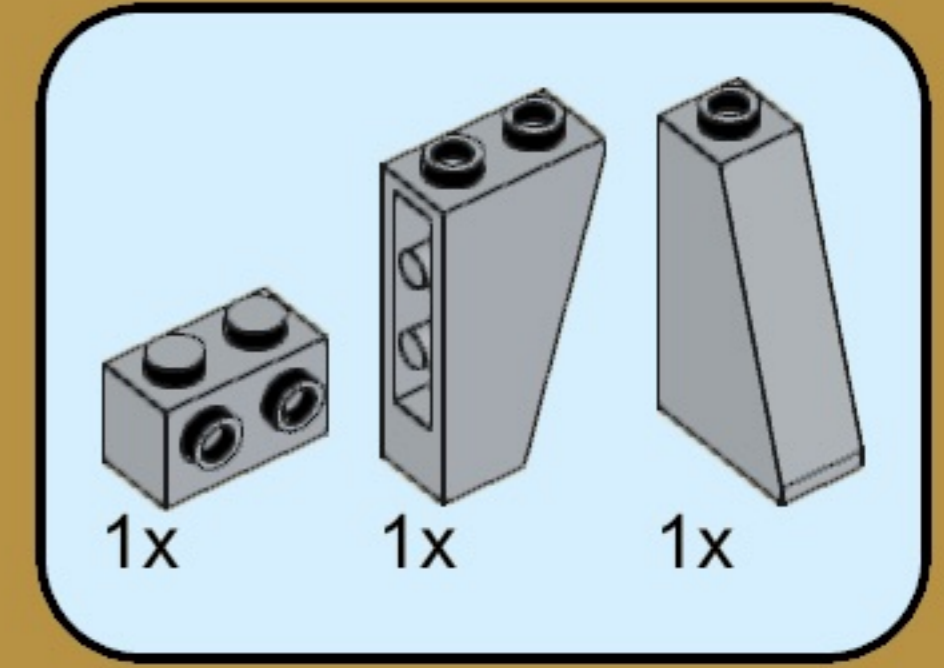
19



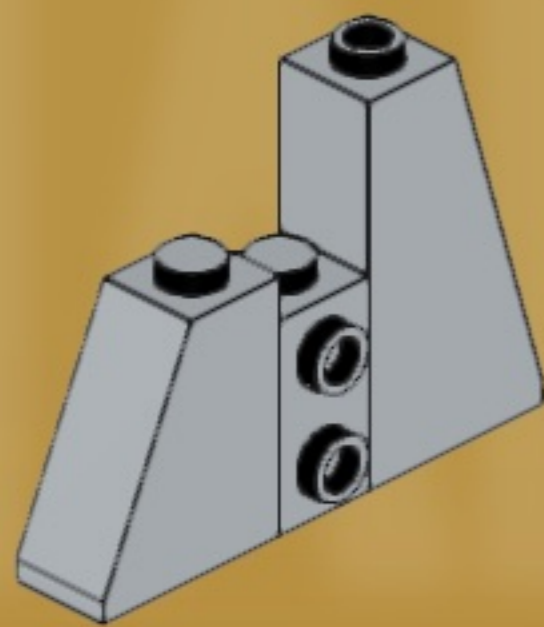
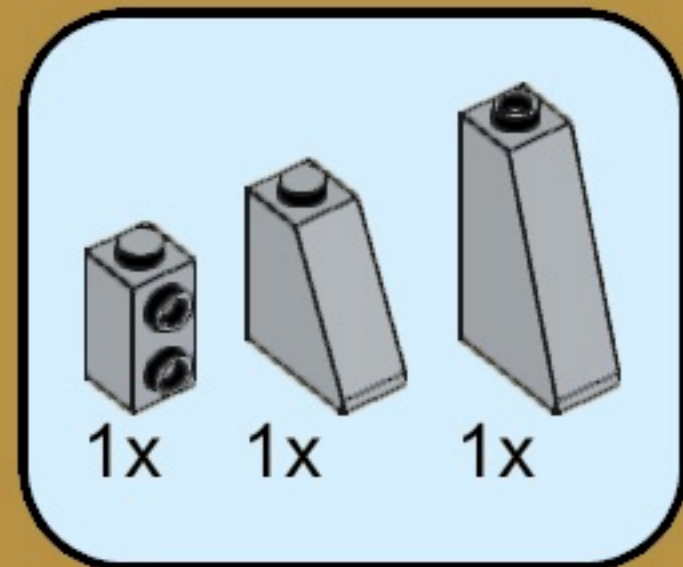
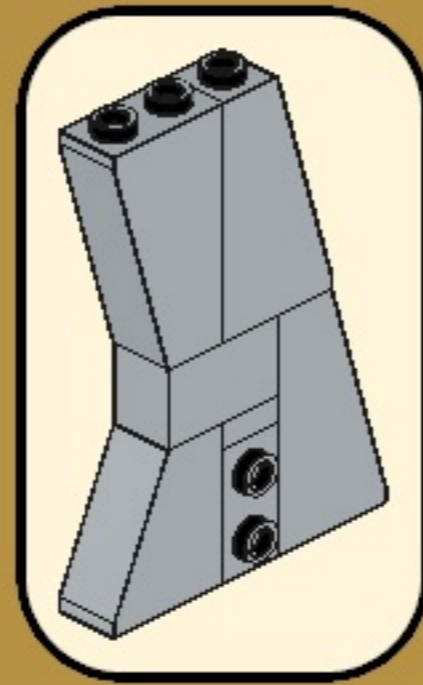
20



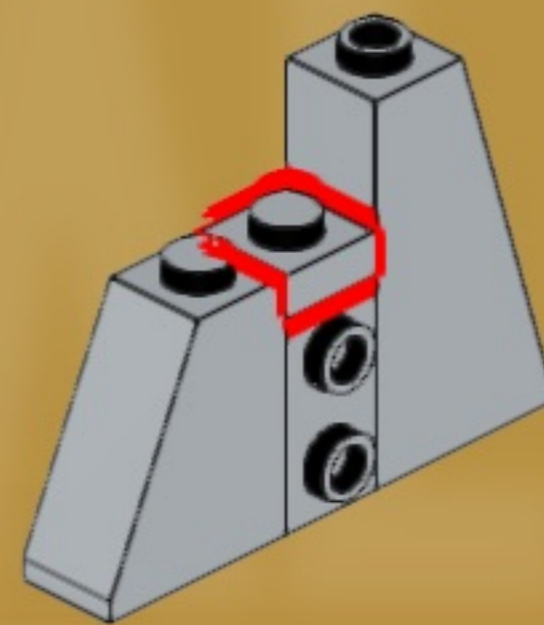
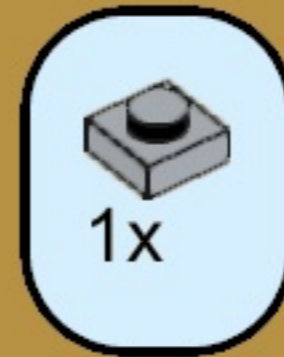
21



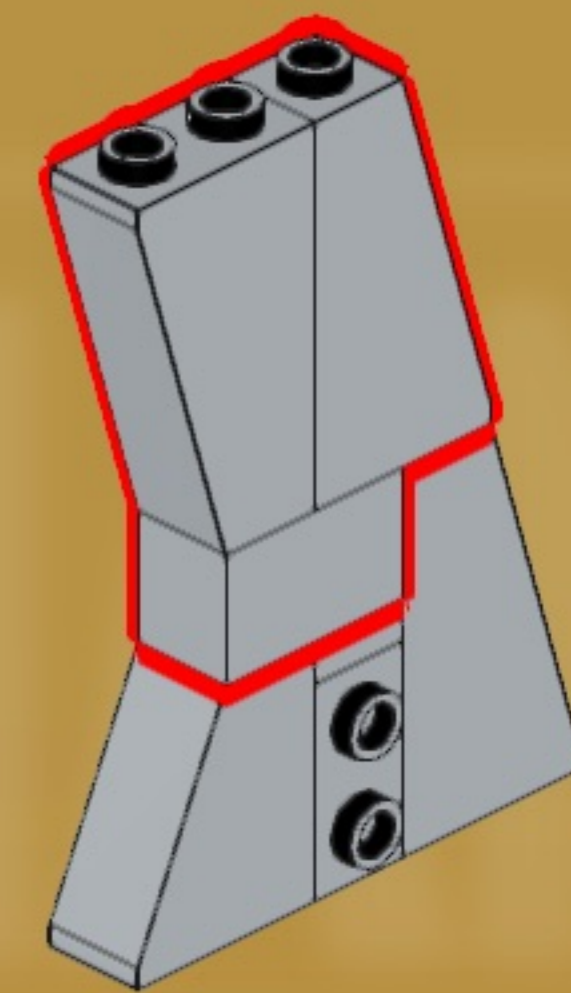
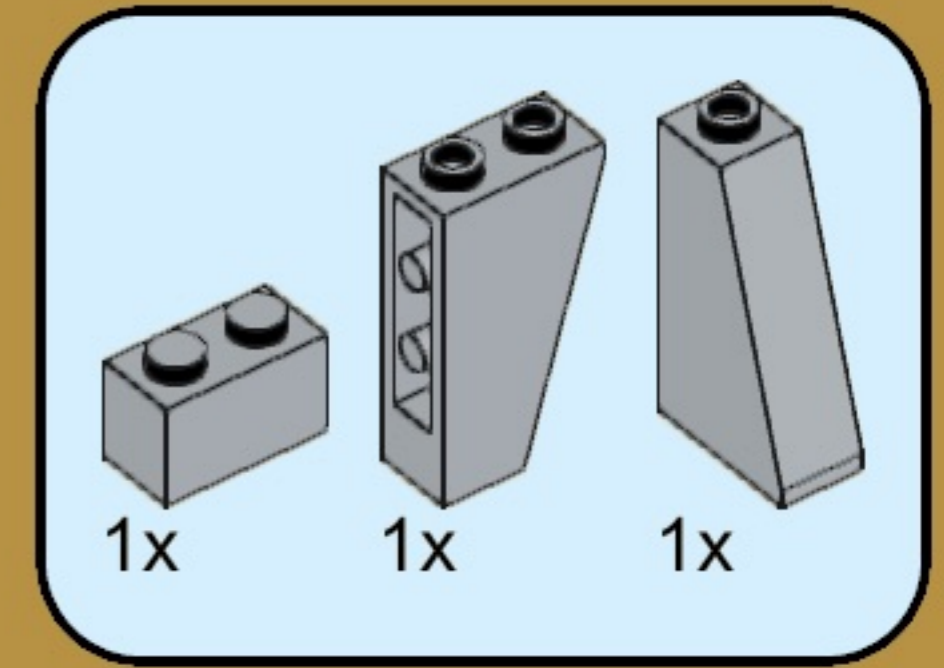
22



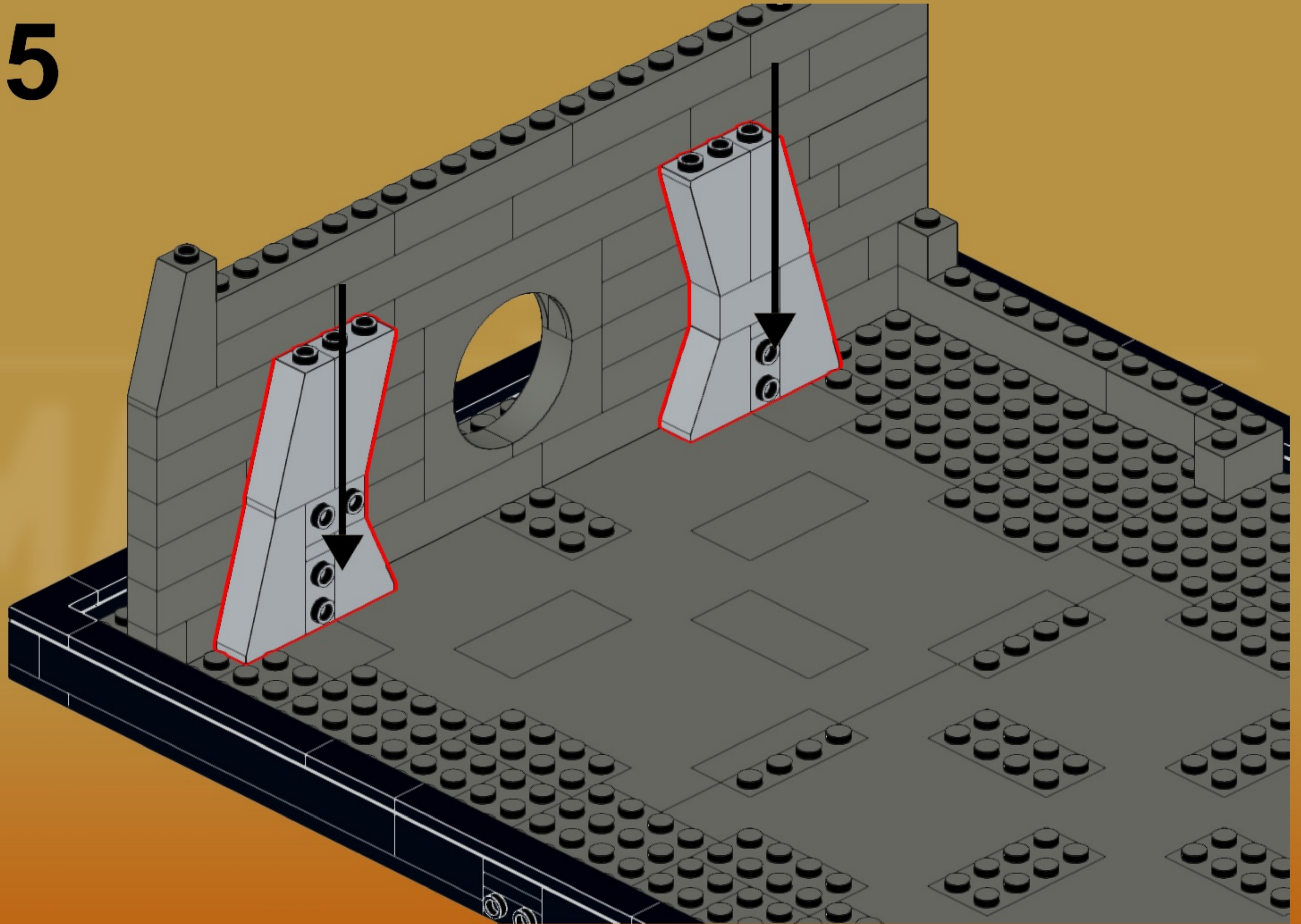
23



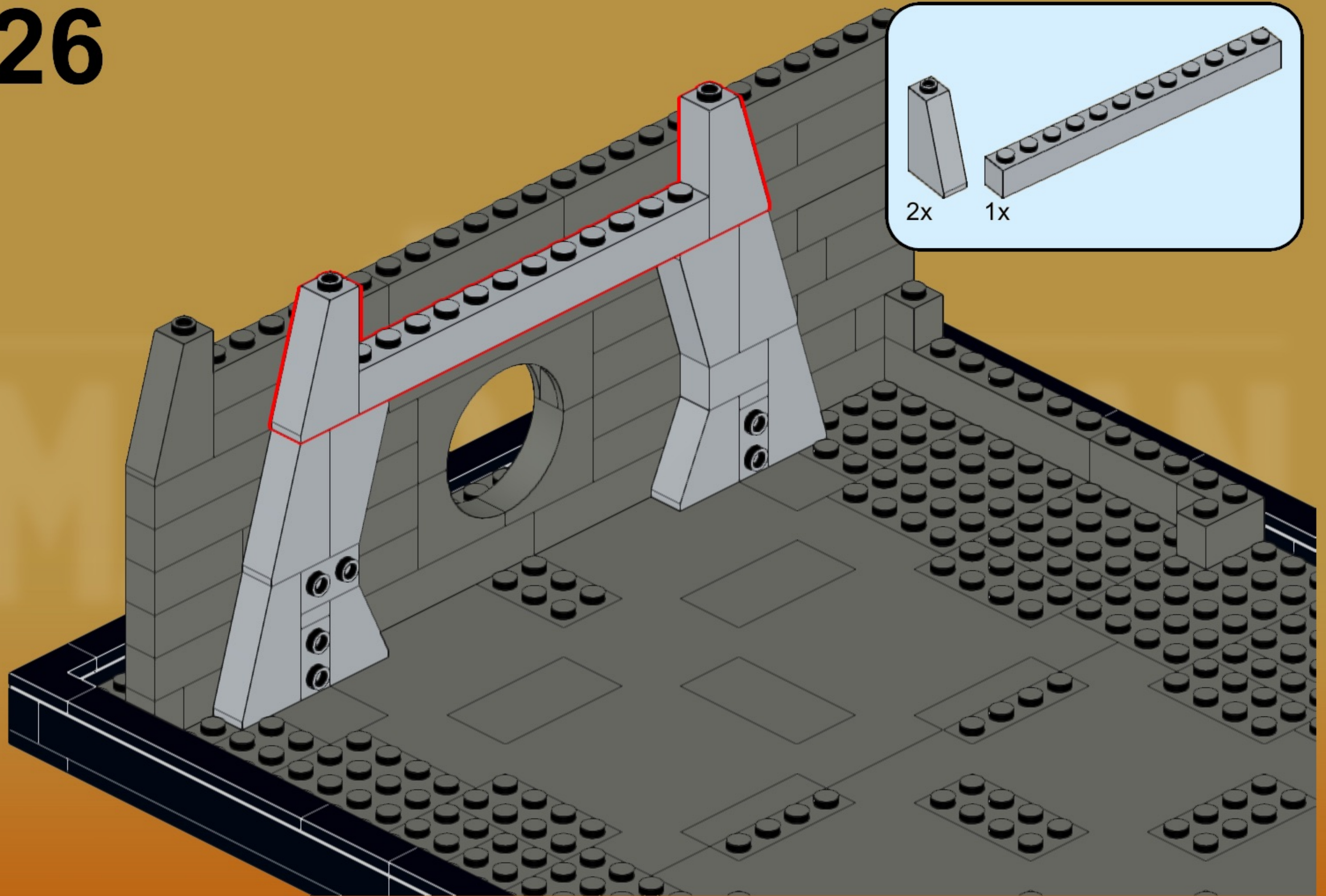
24



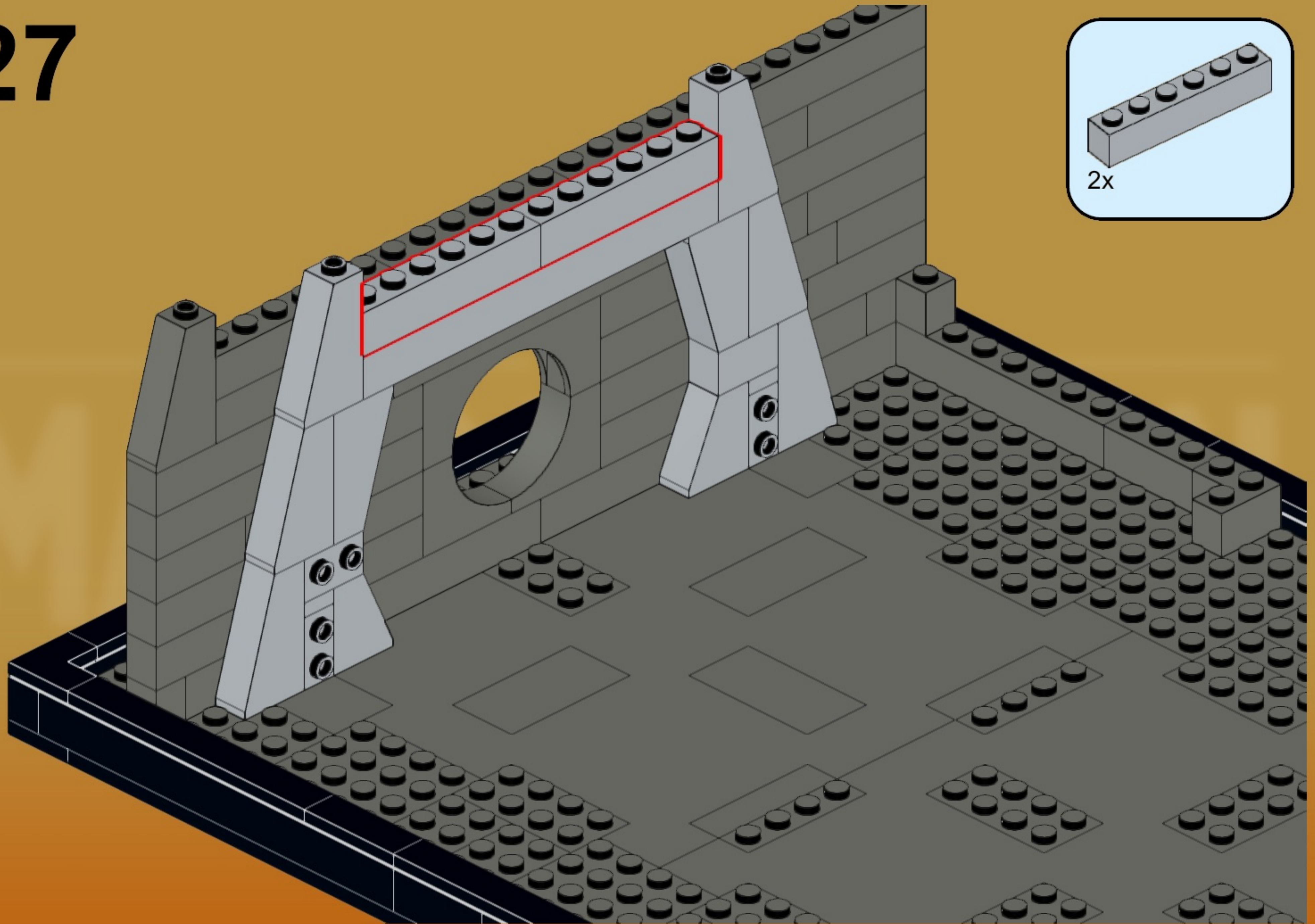
25



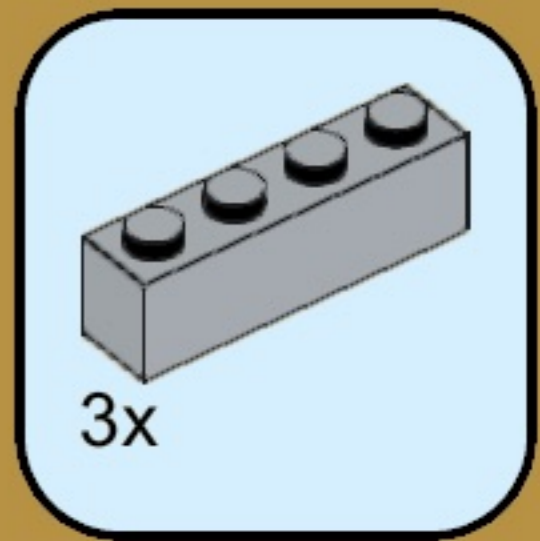
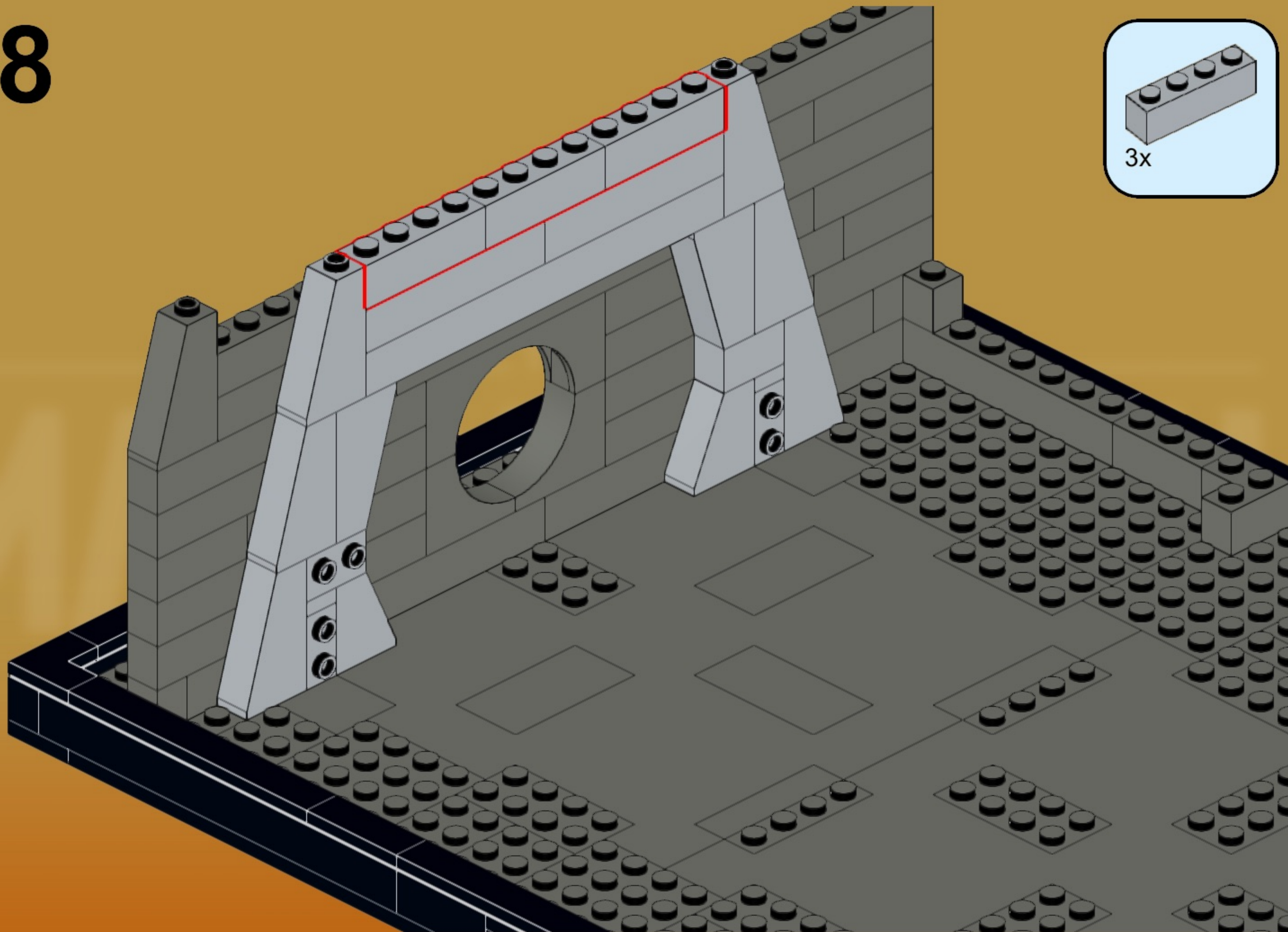
26



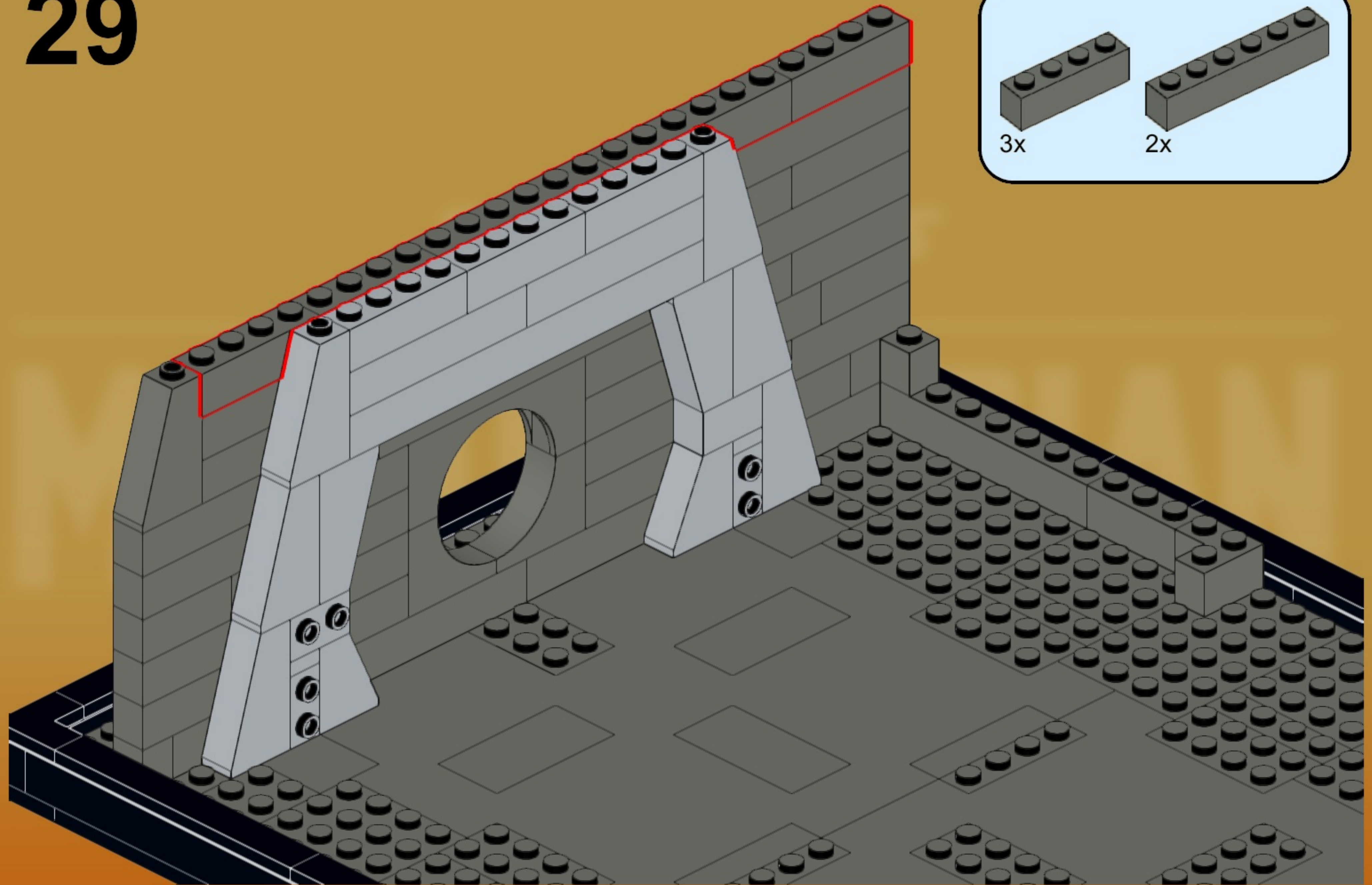
27



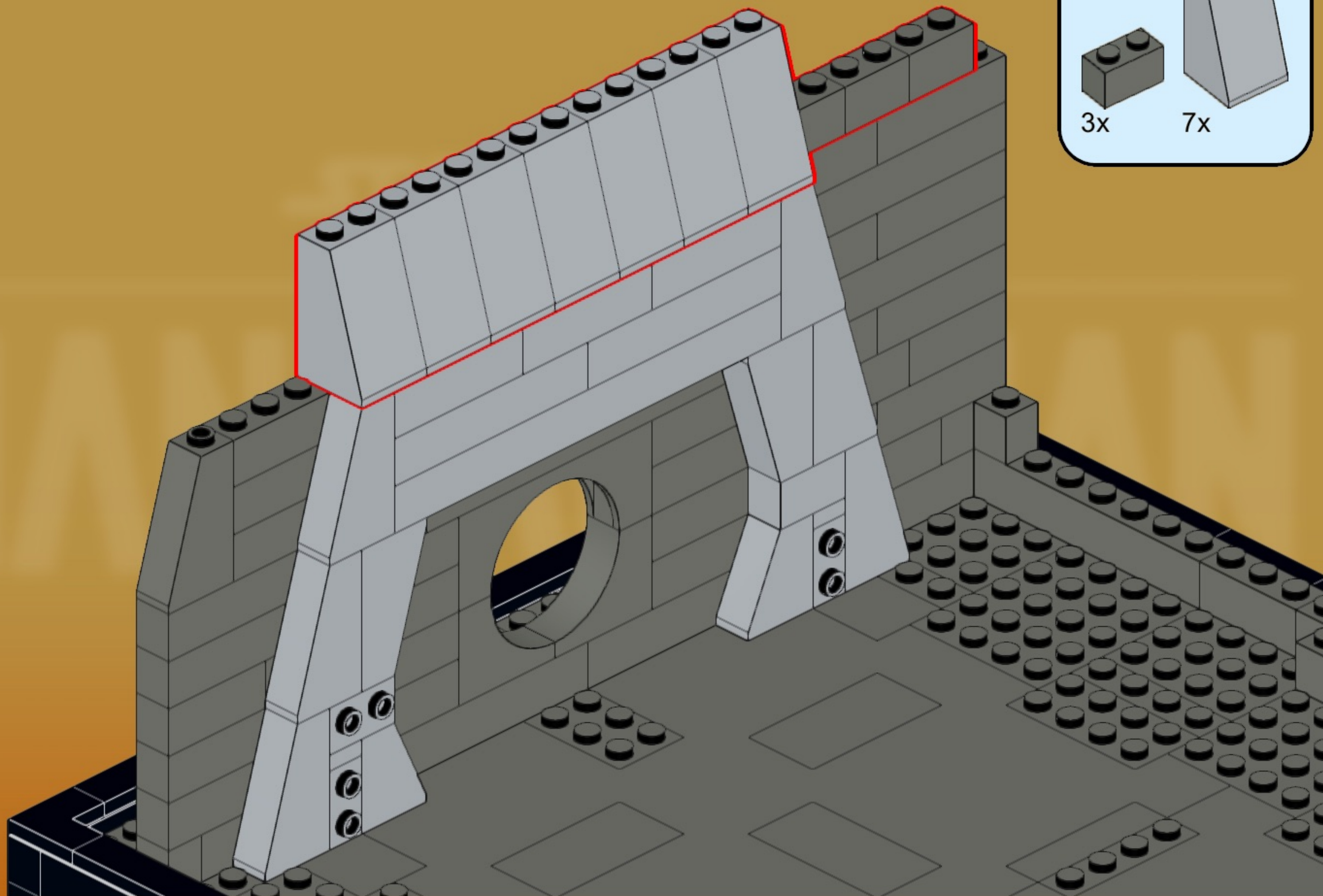
28



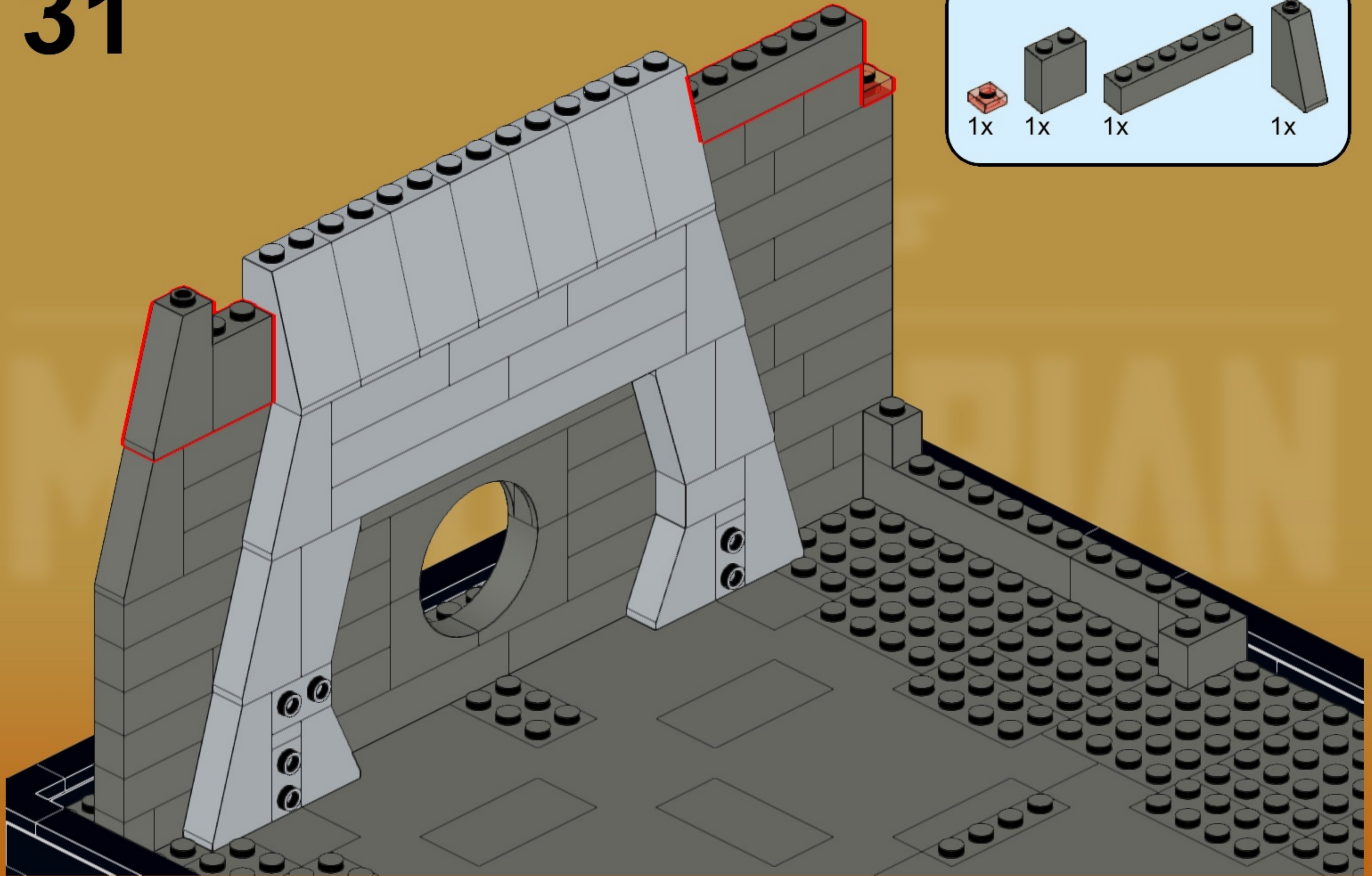
29



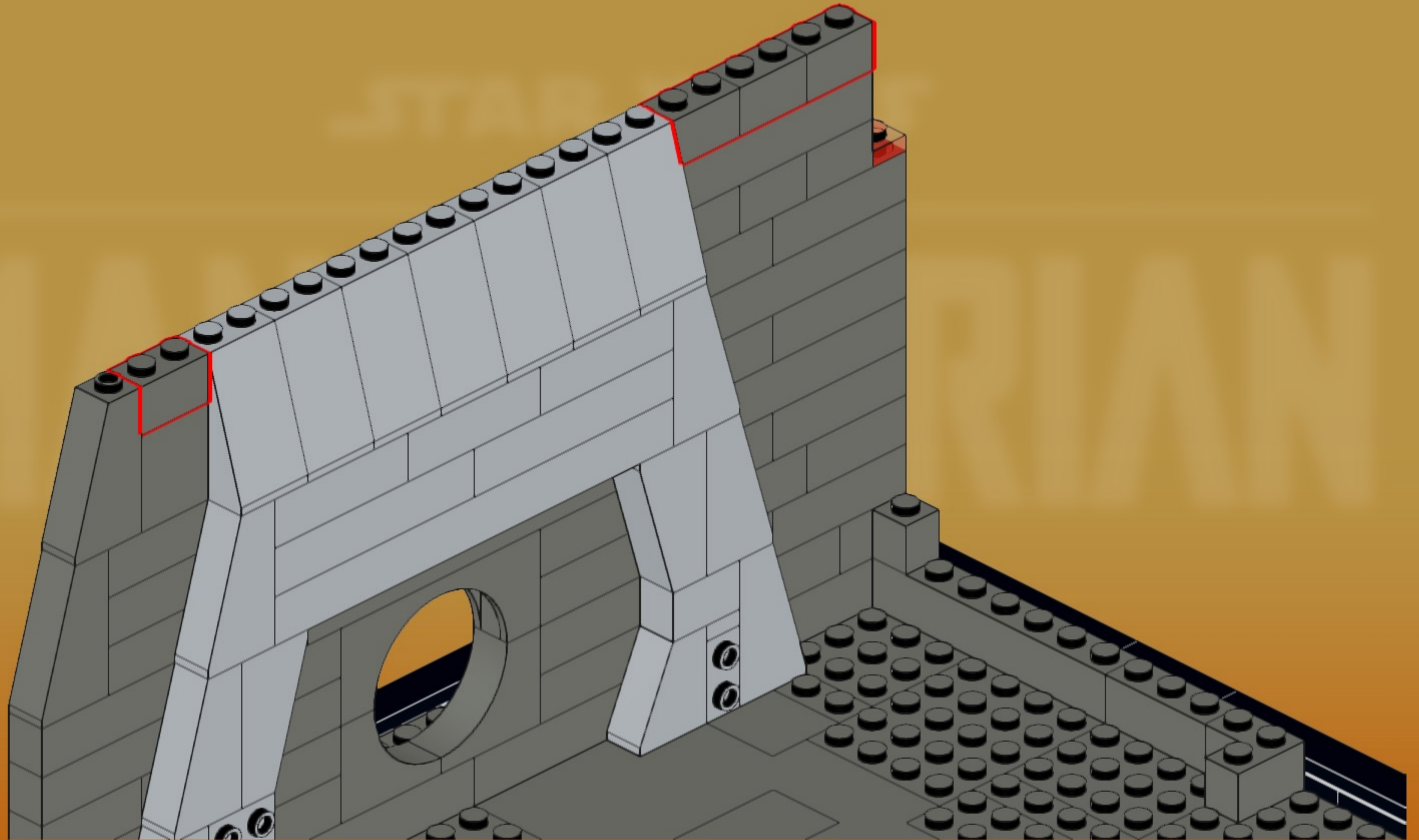
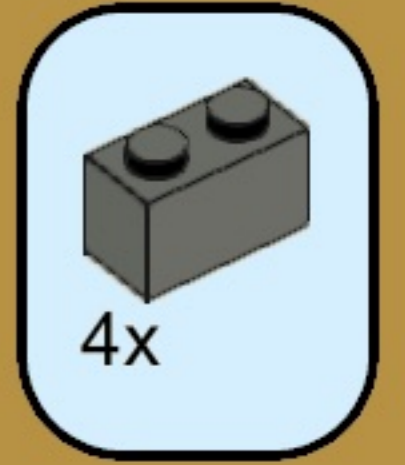
30



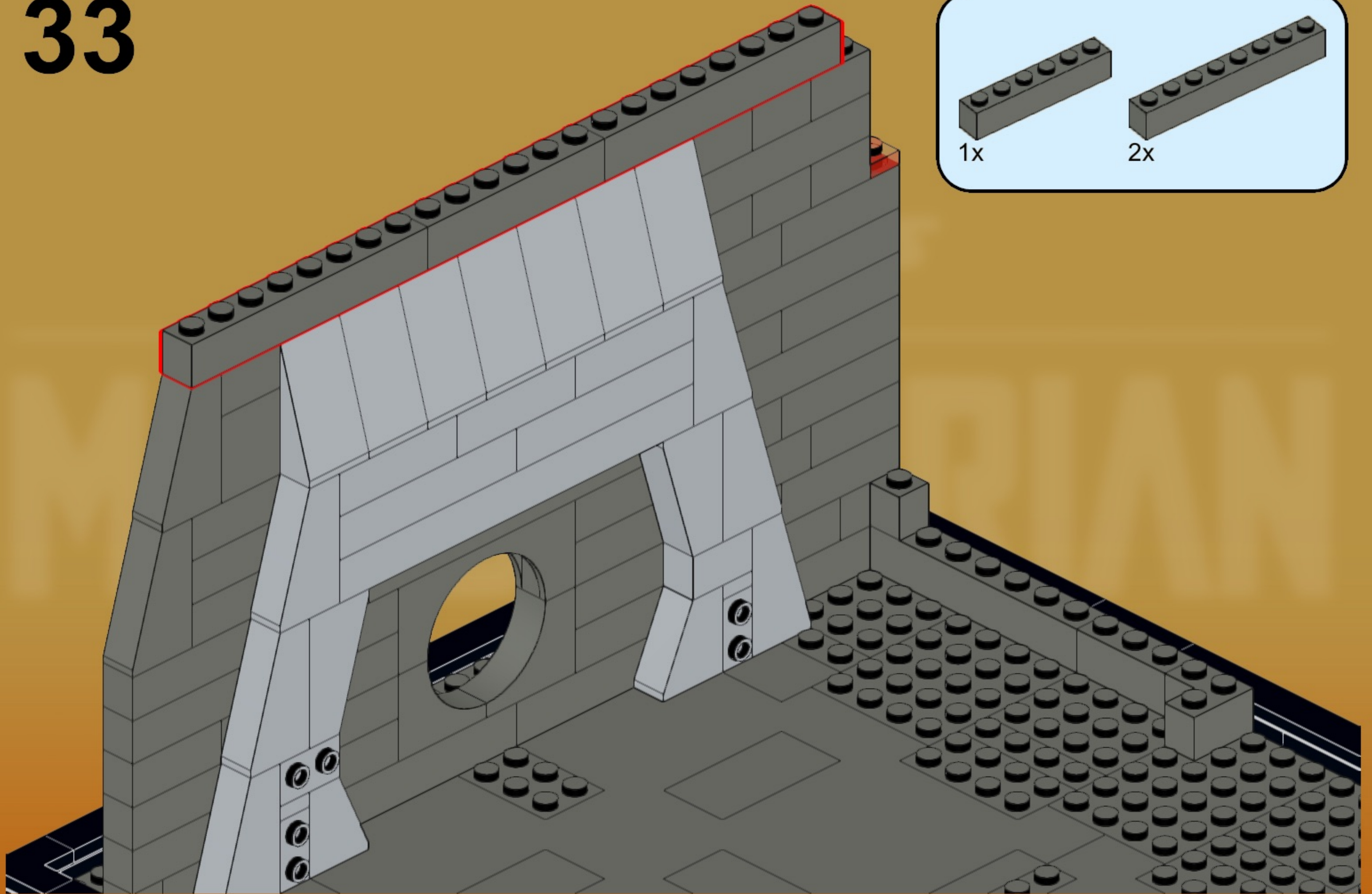
31



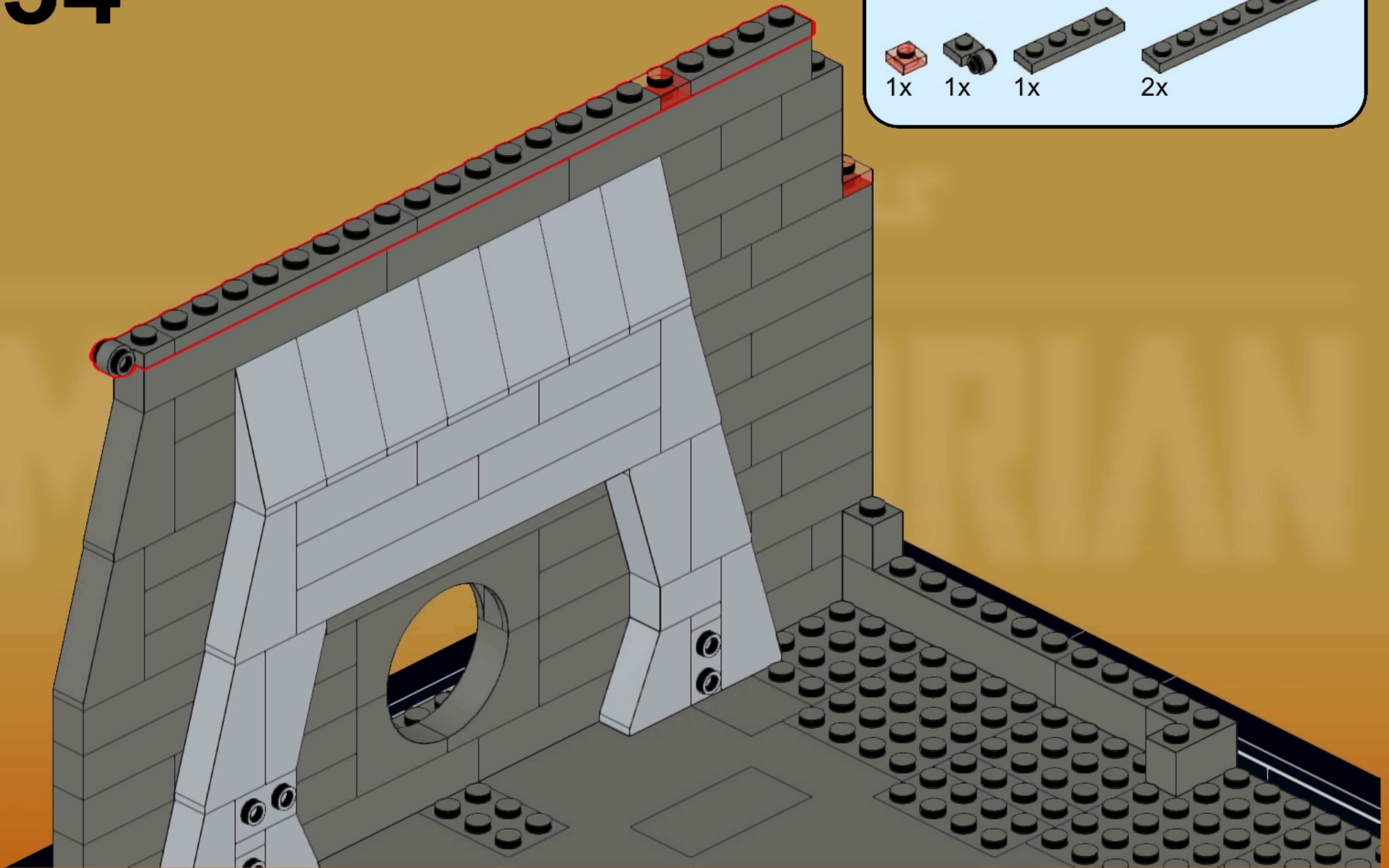
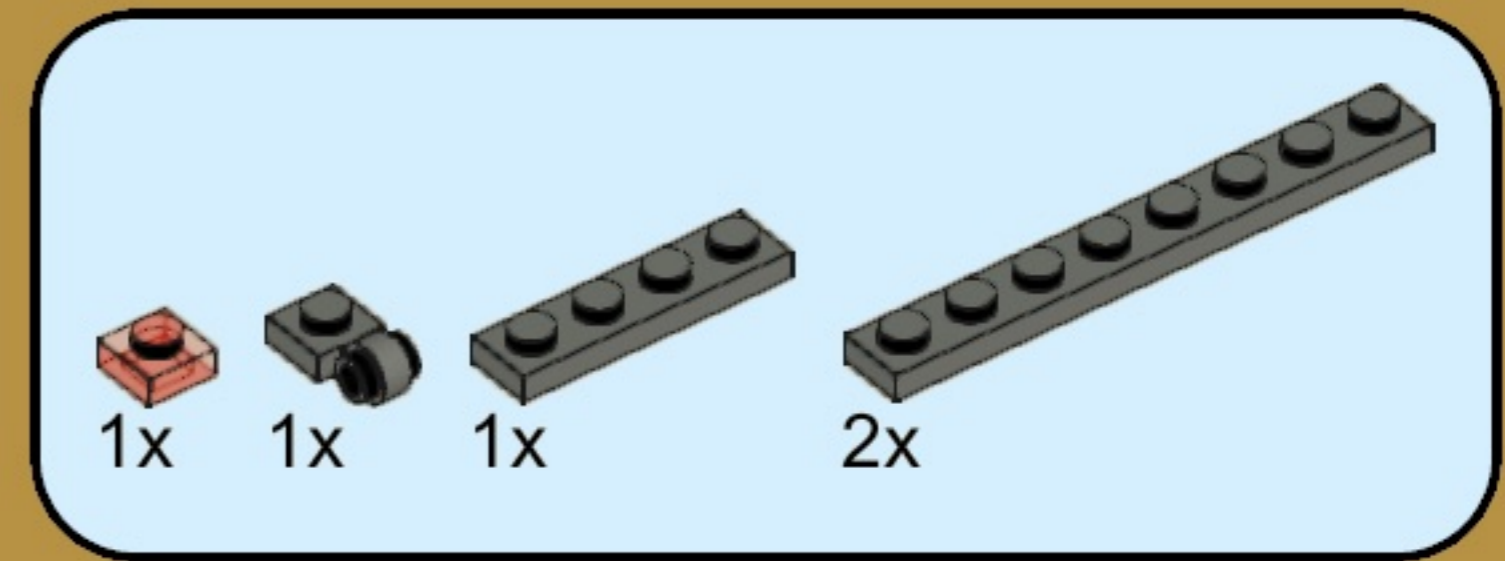
32



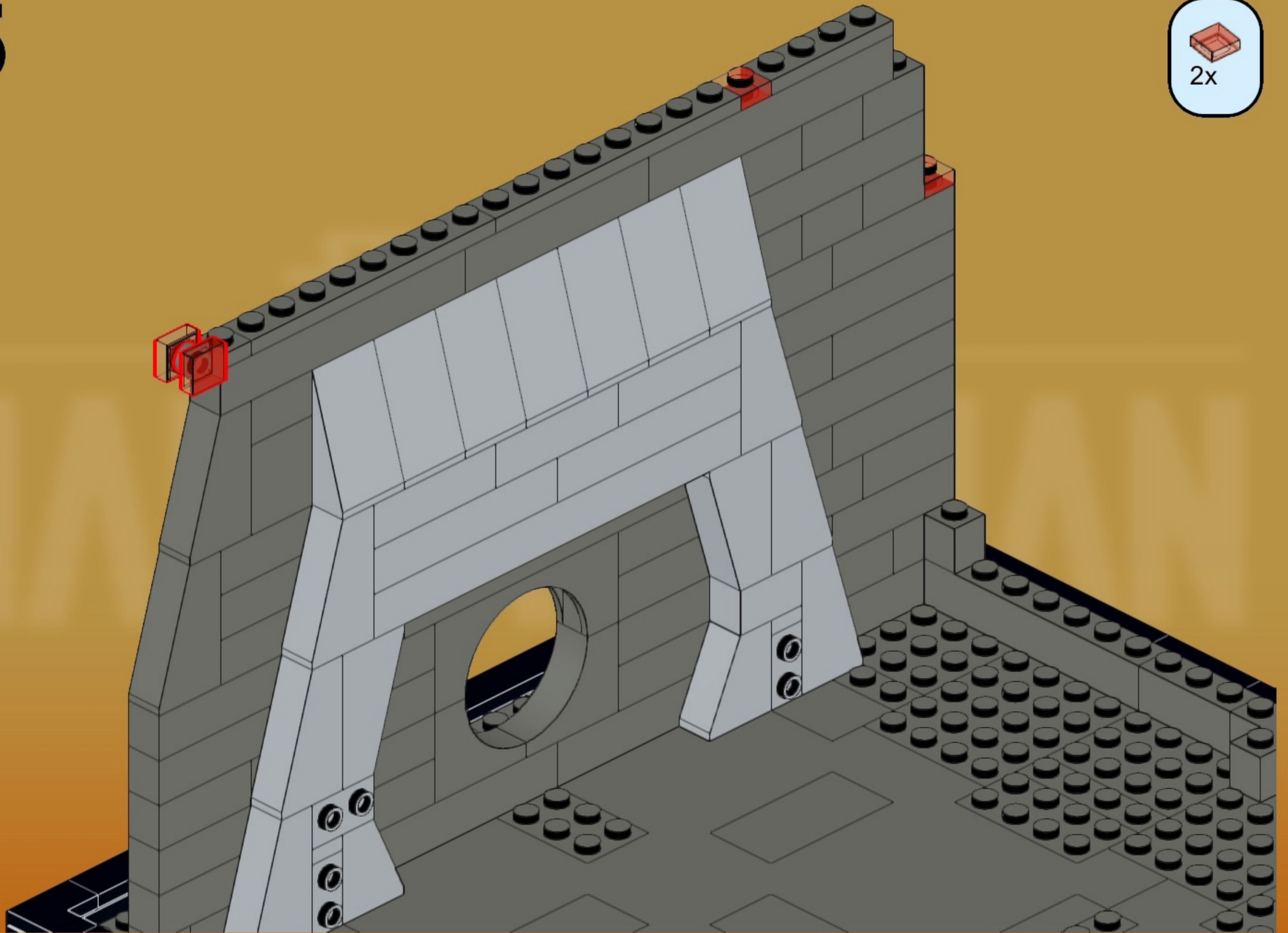
33



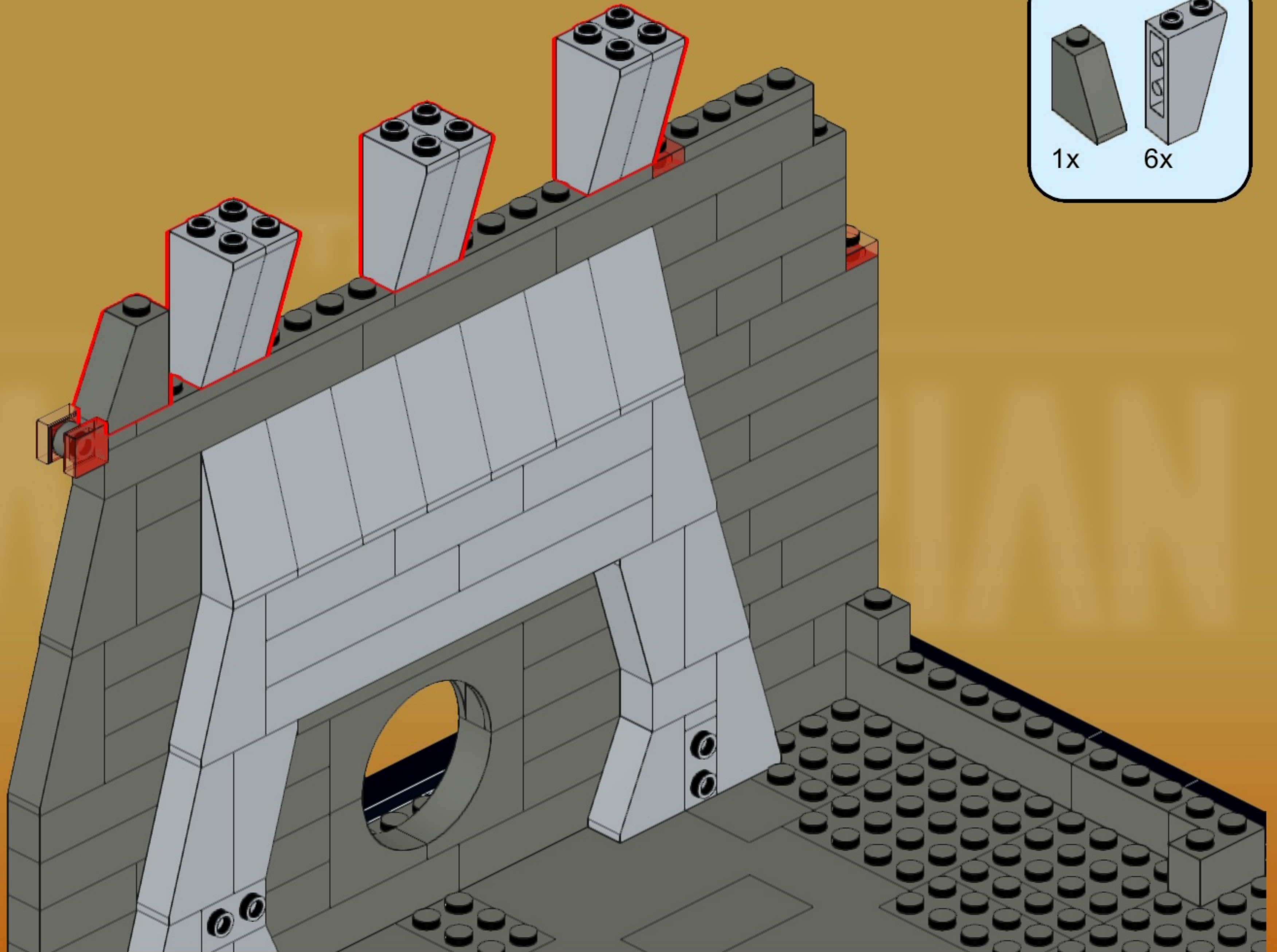
34



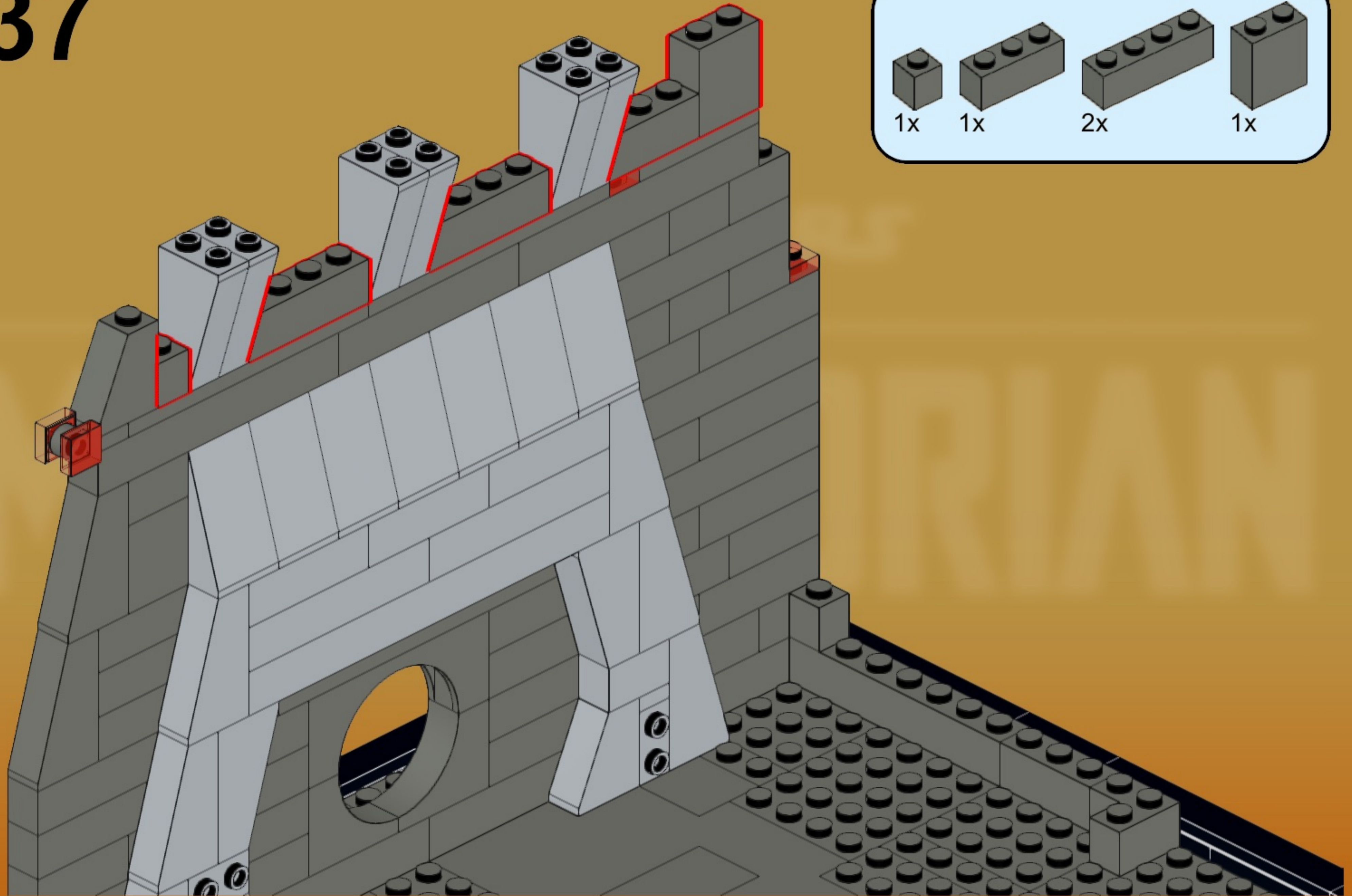
35



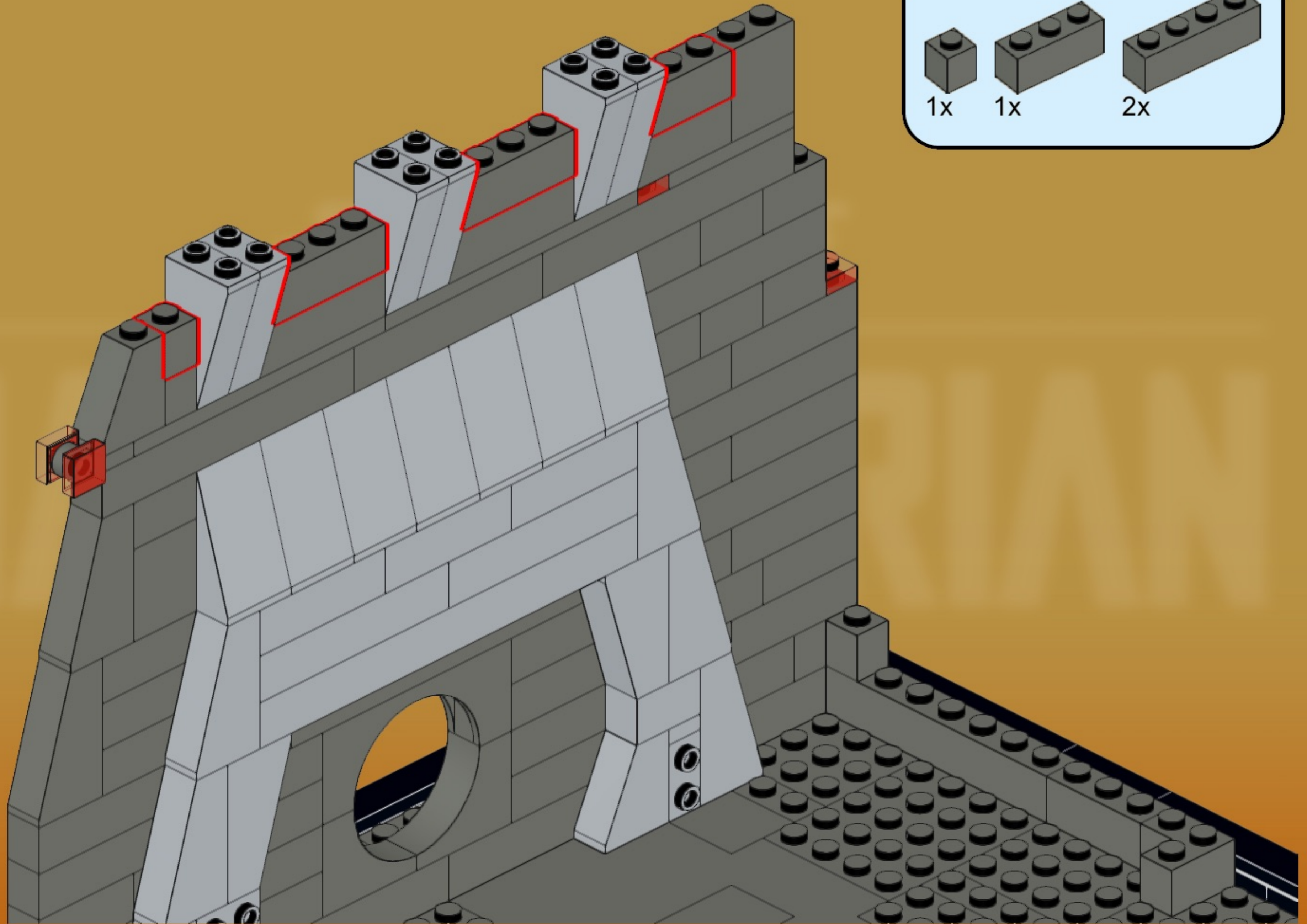
36



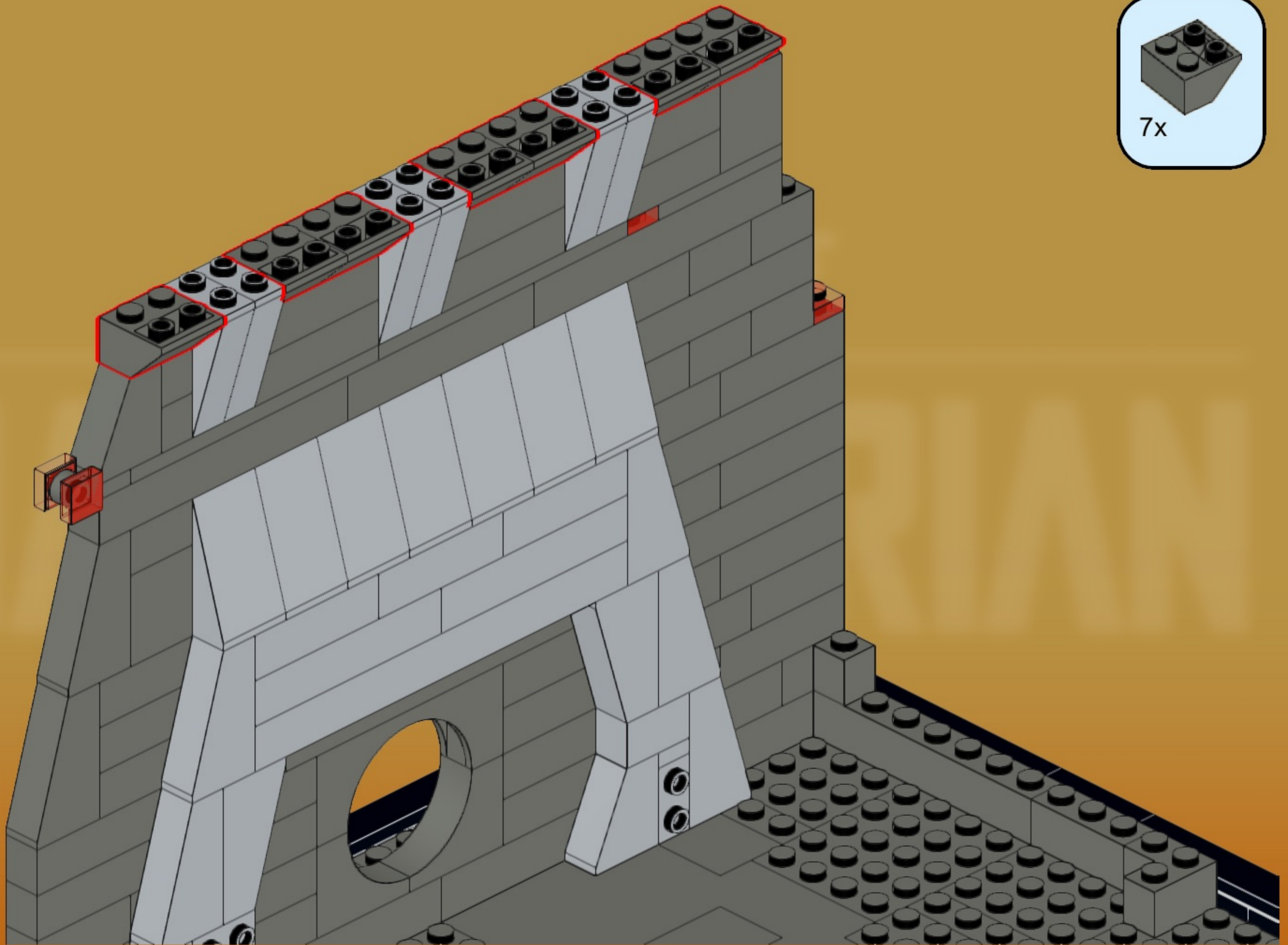
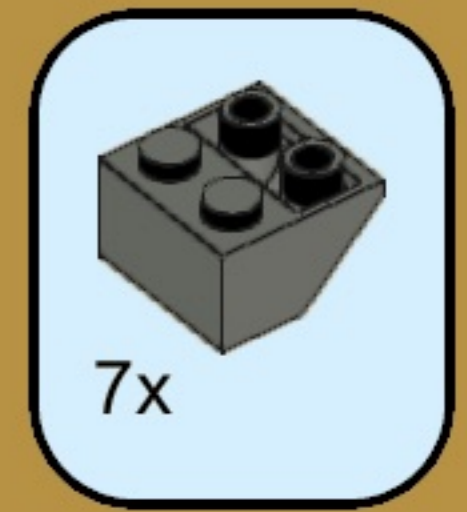
37



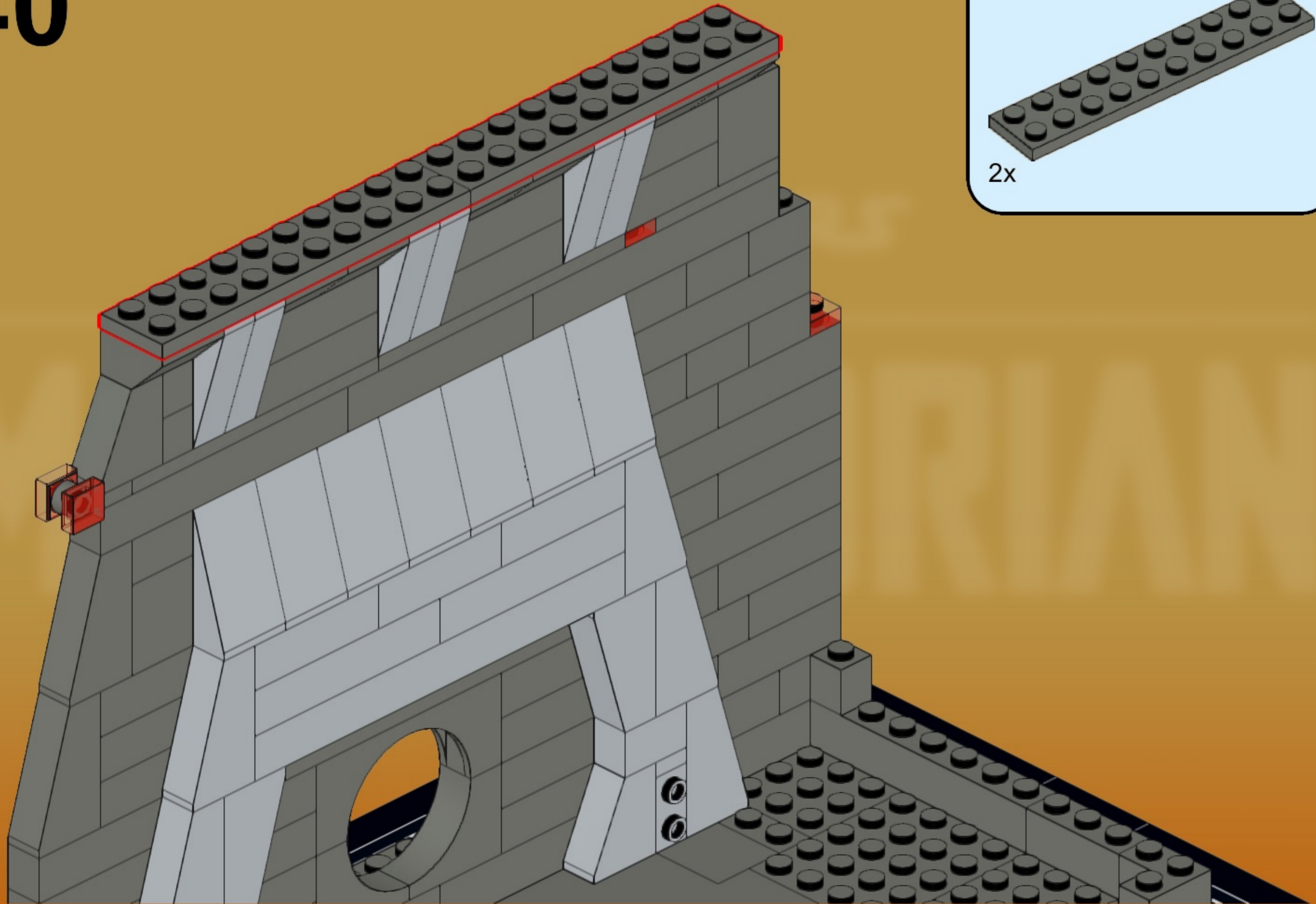
38



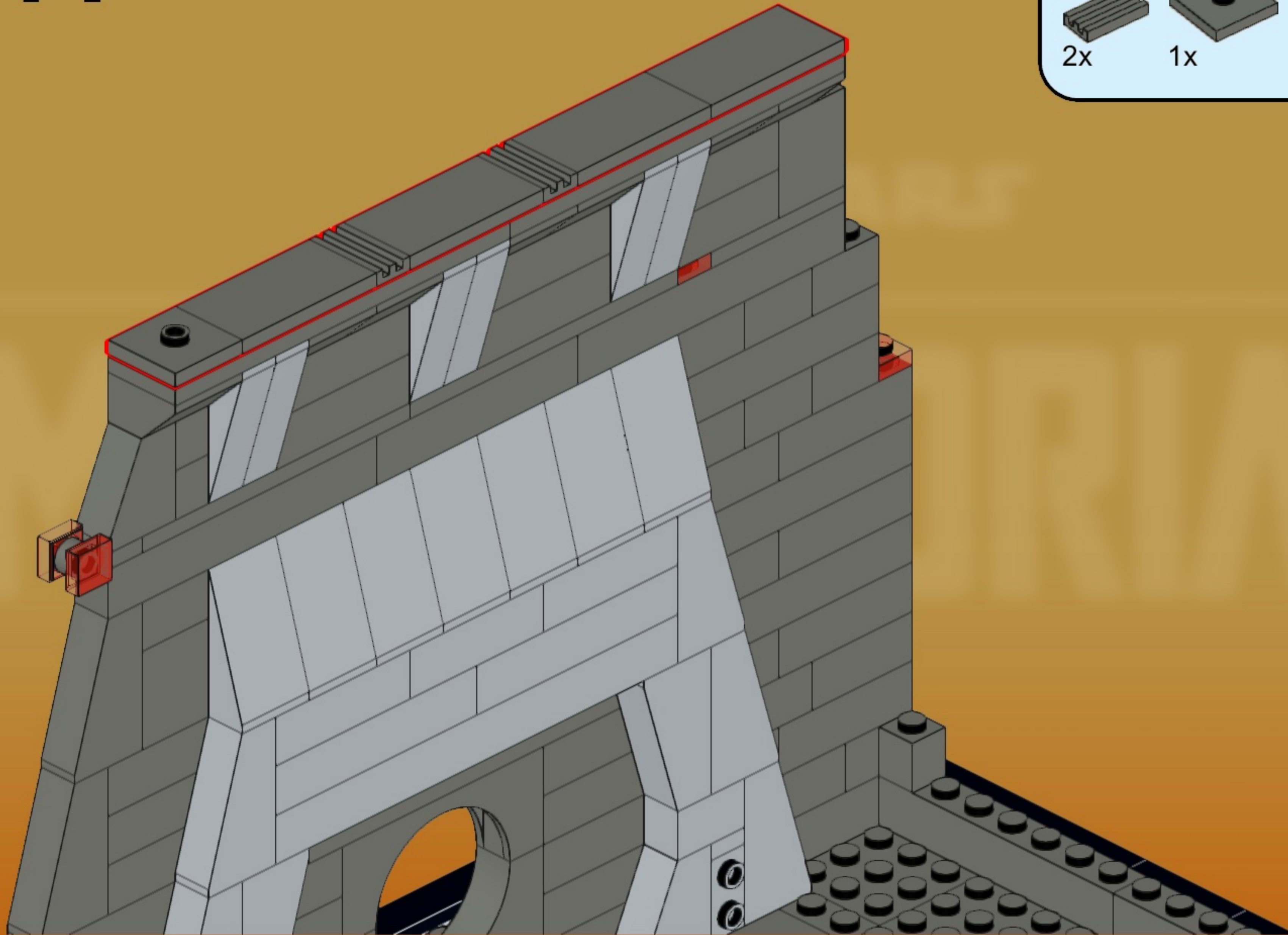
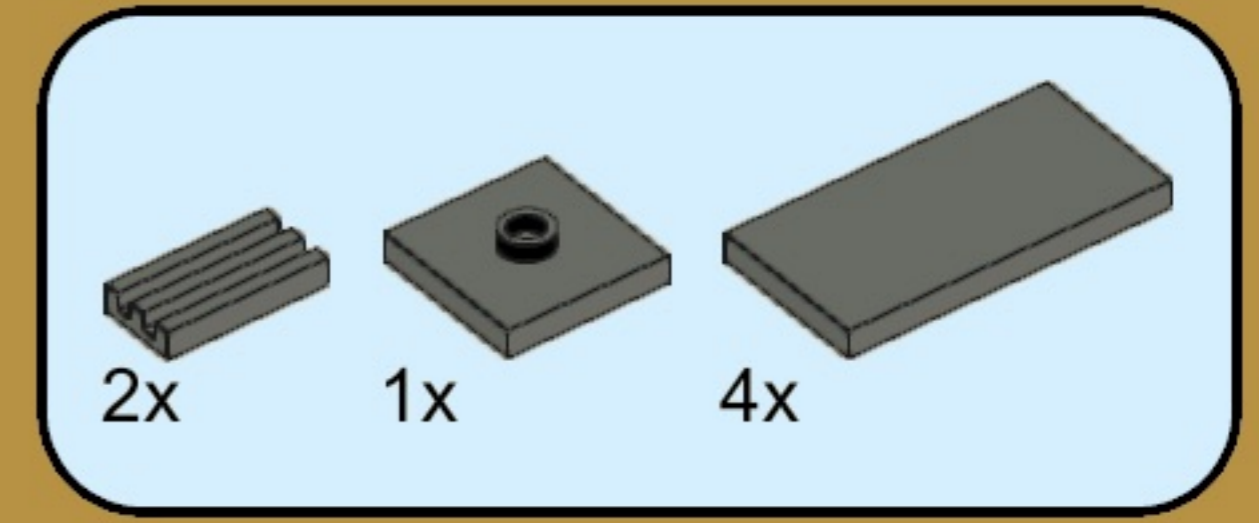
39



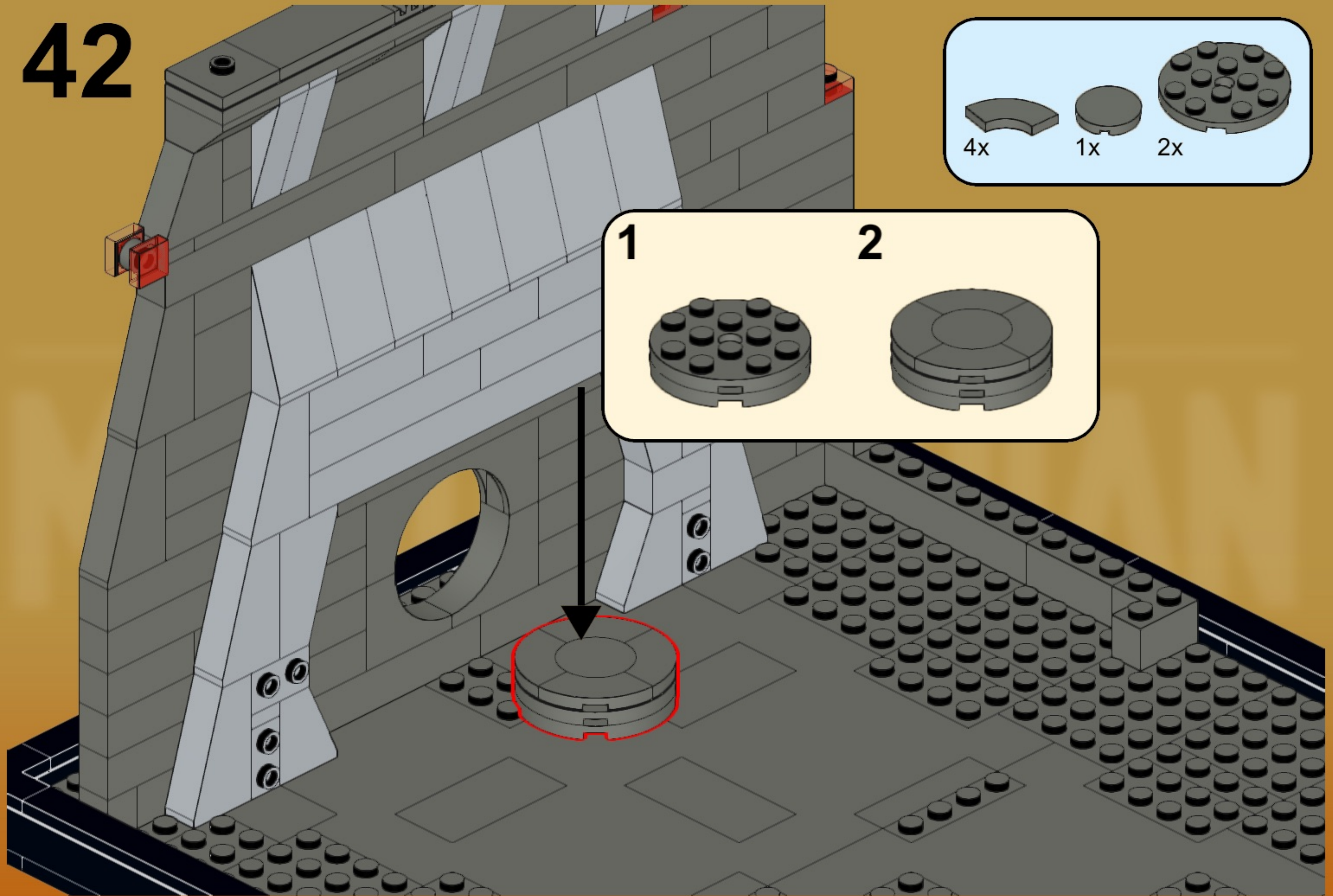
40



41



42

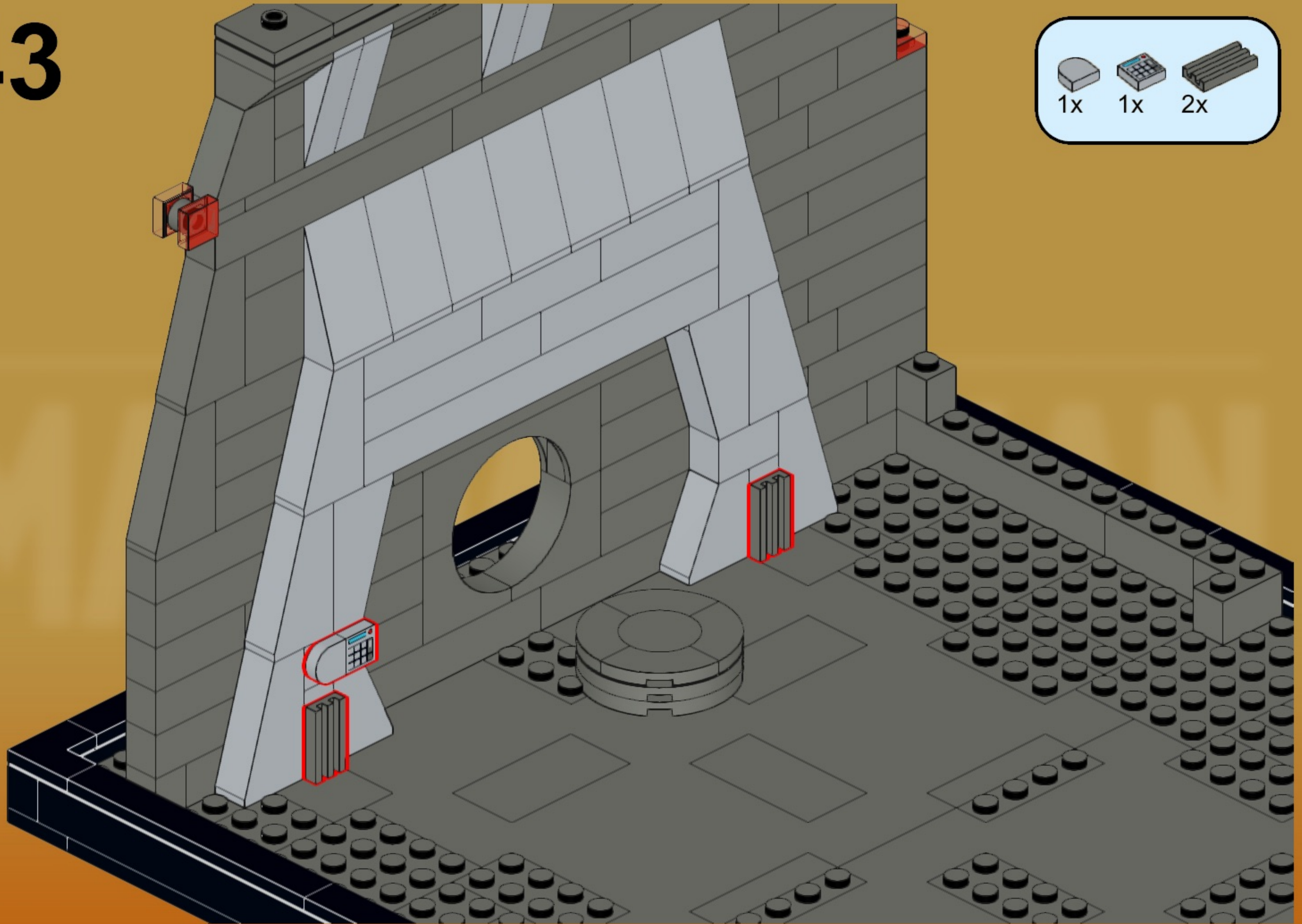


4x 1x 2x

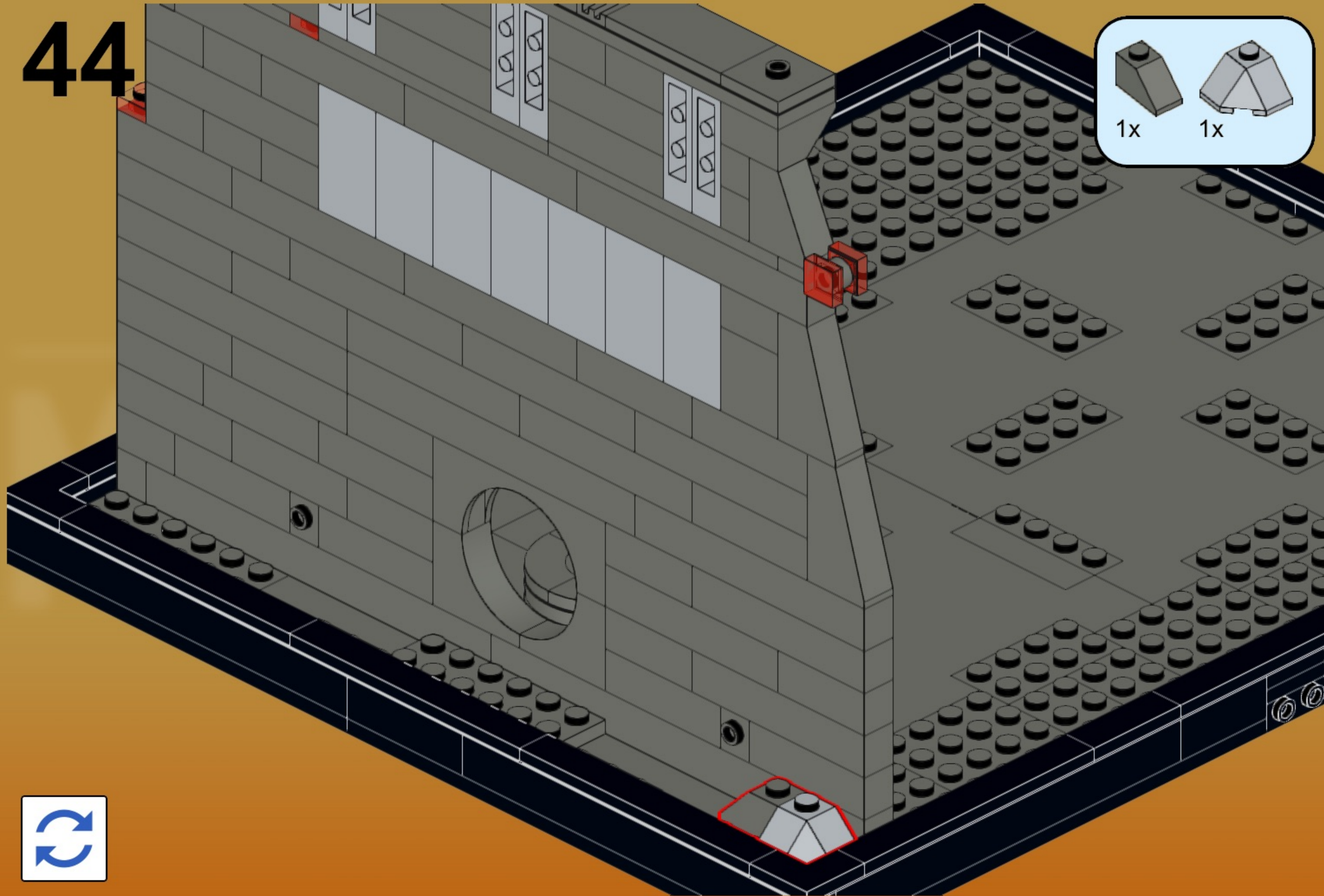
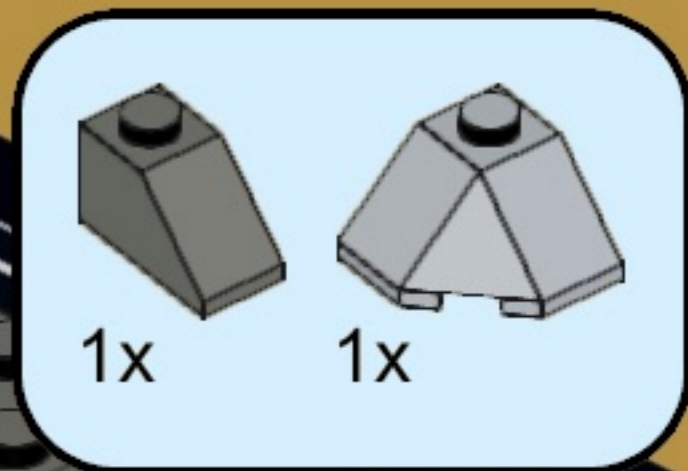
1 2

43

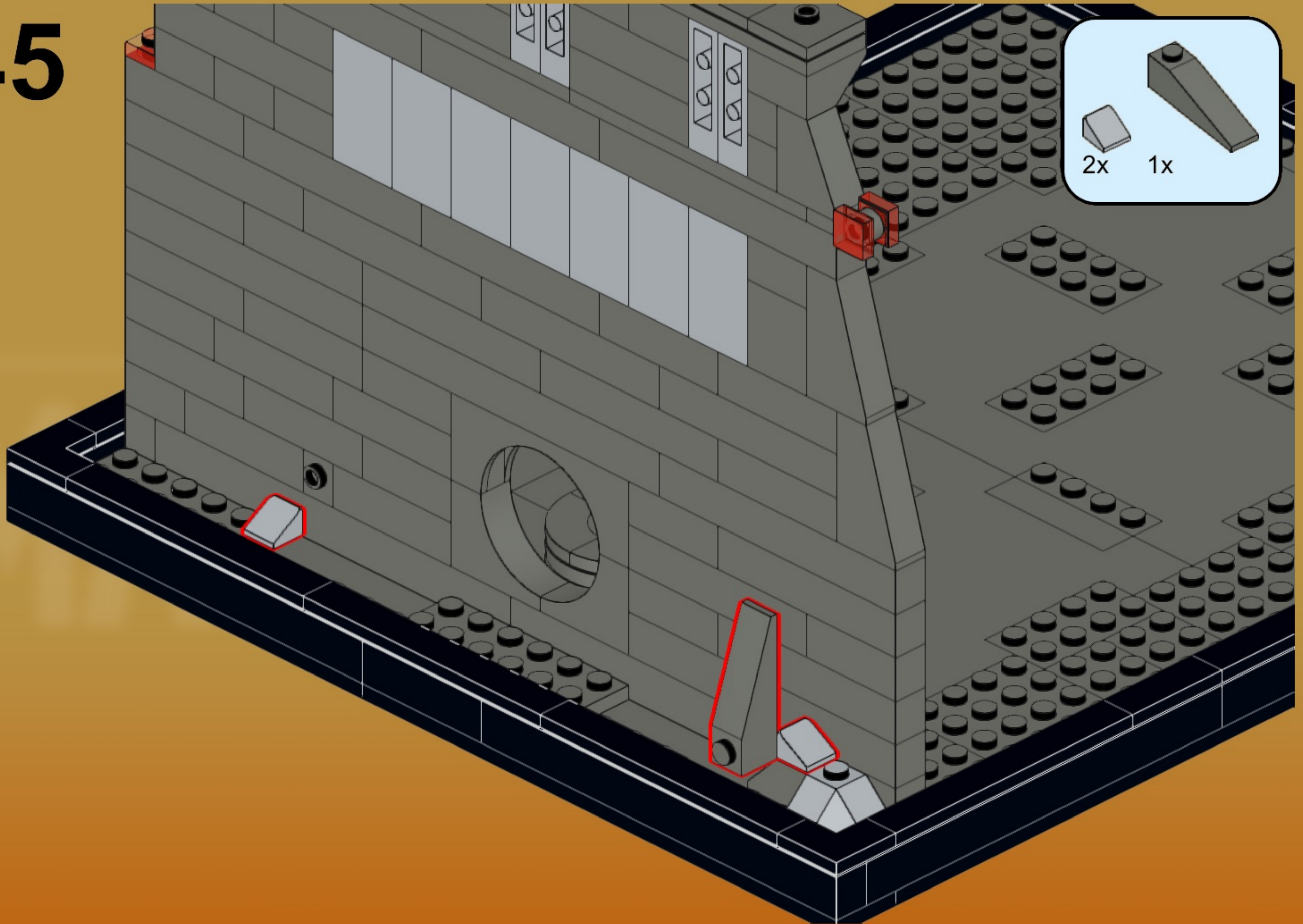
1x 1x 2x



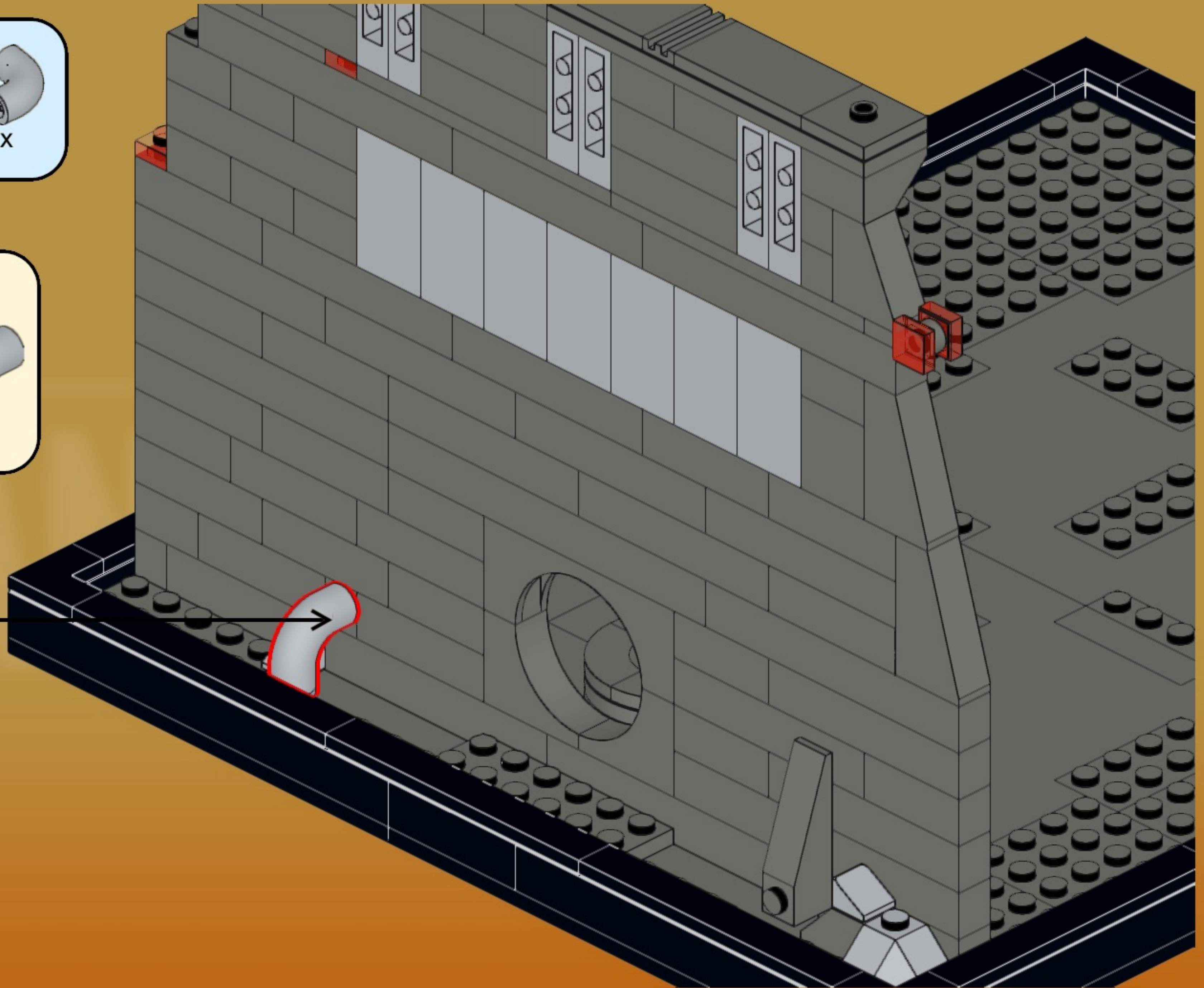
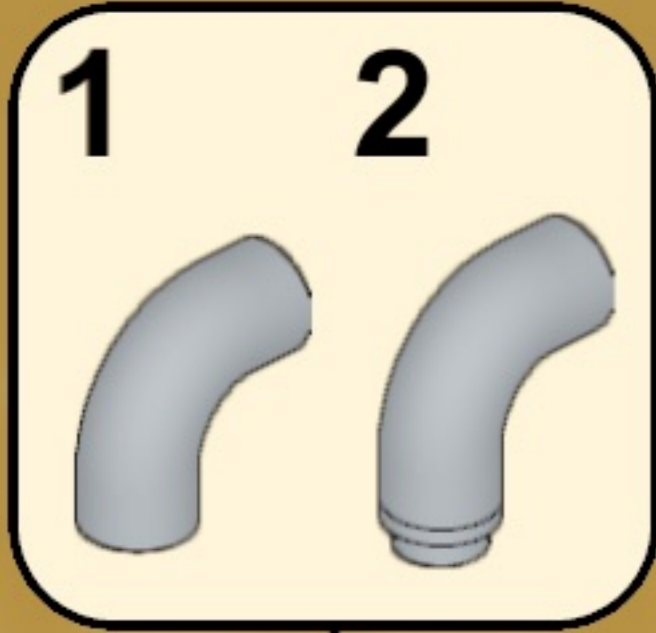
44

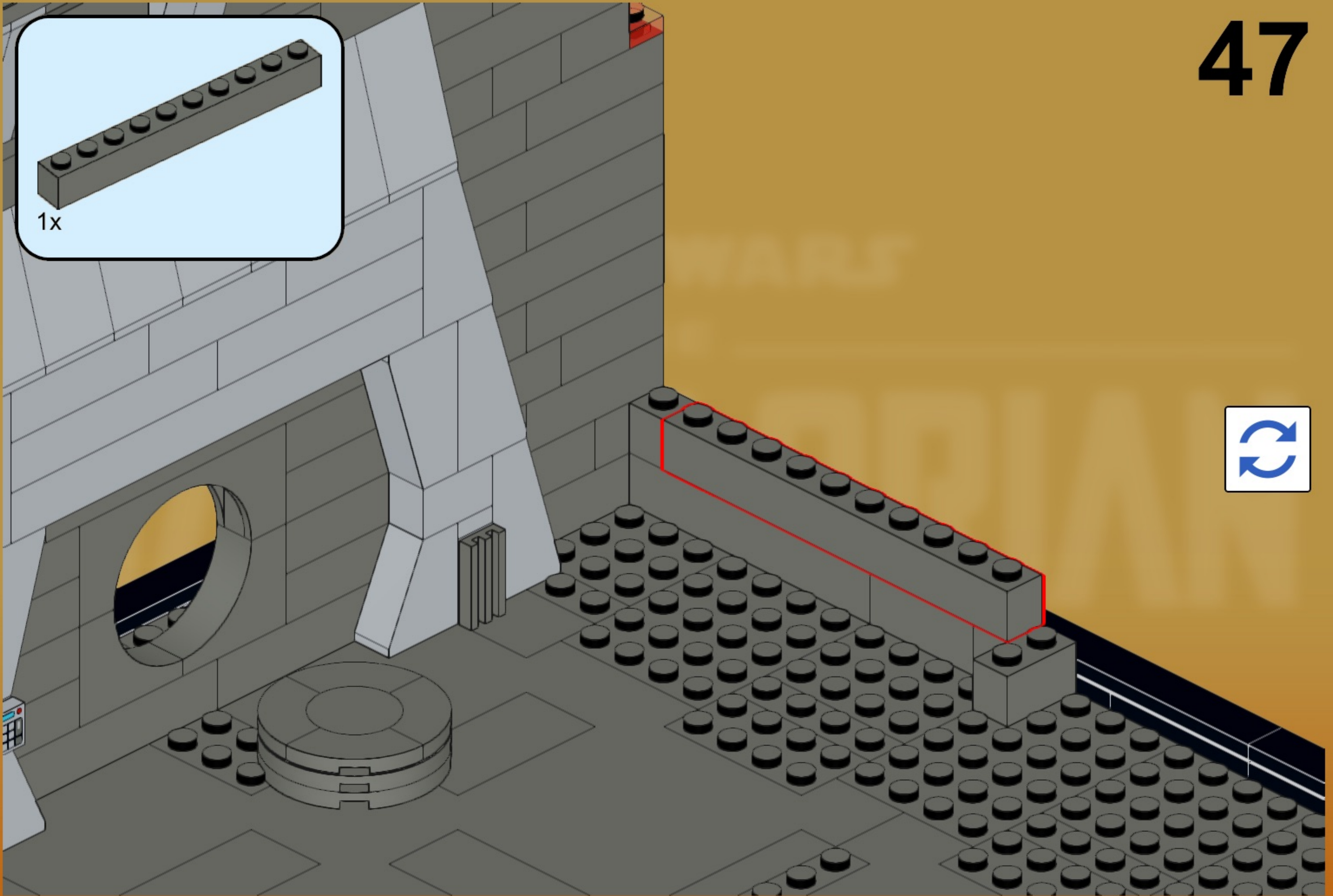
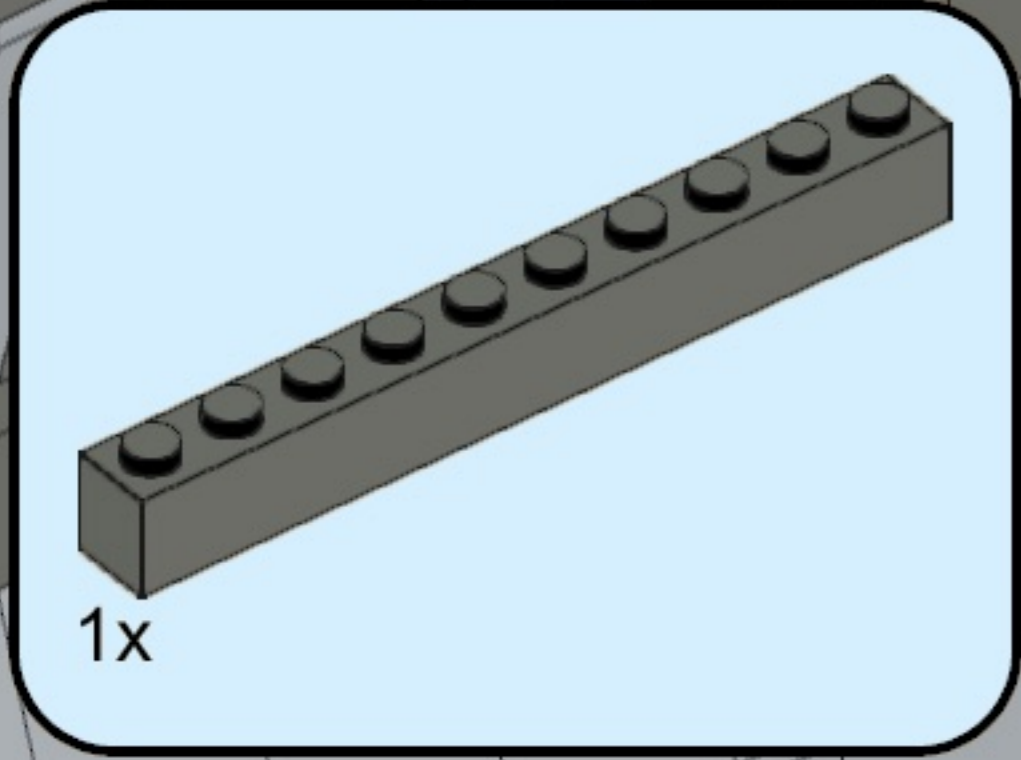


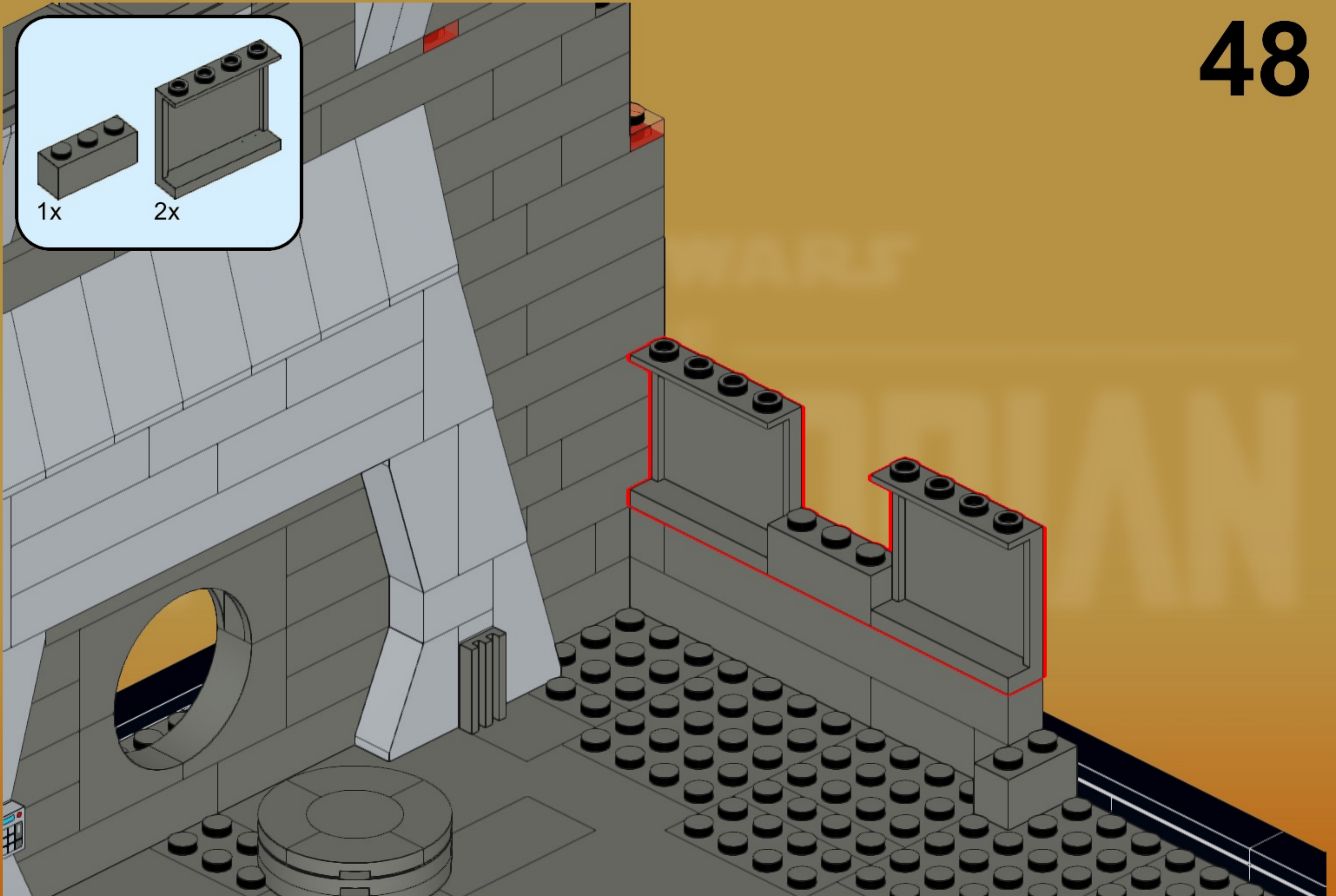
45

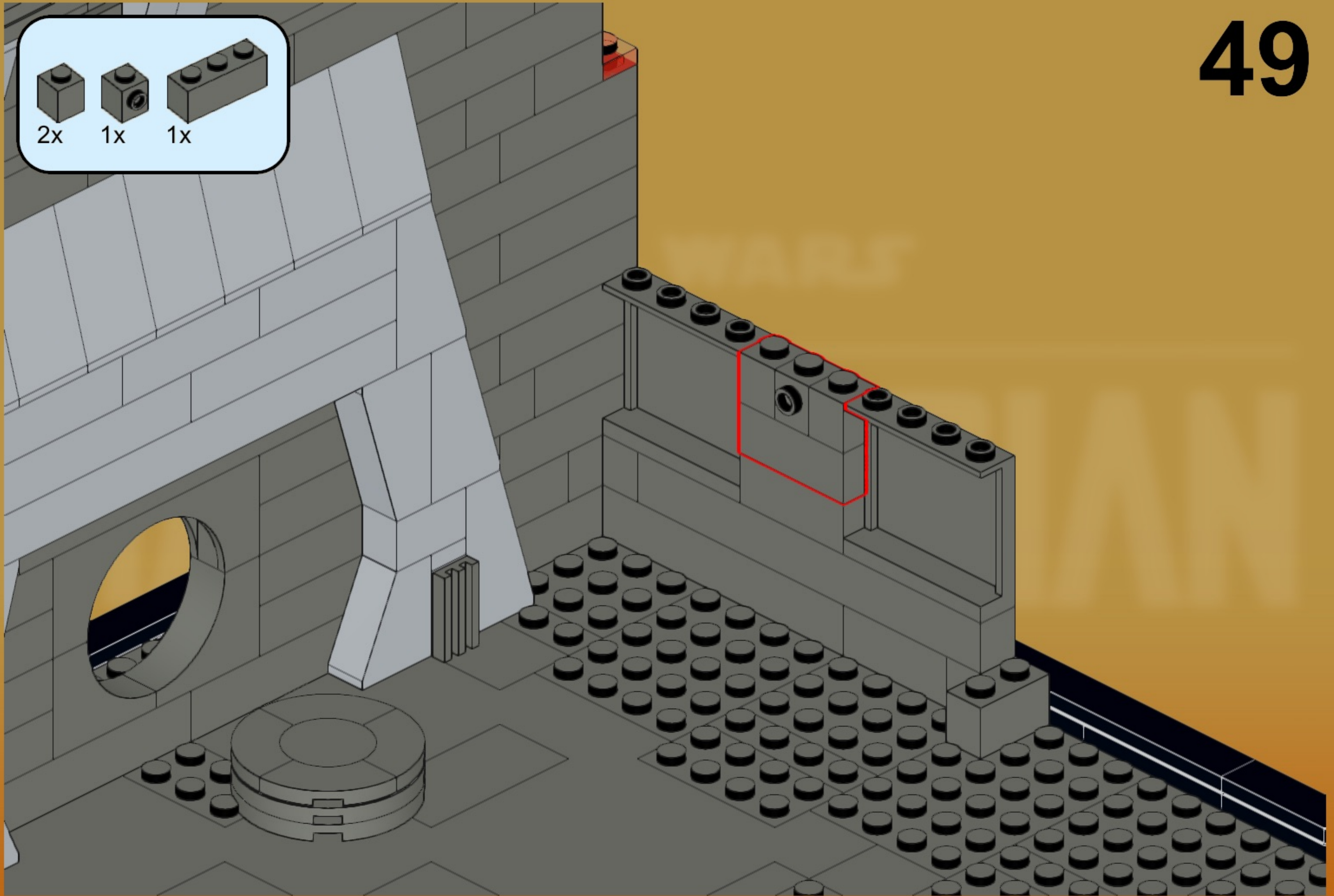
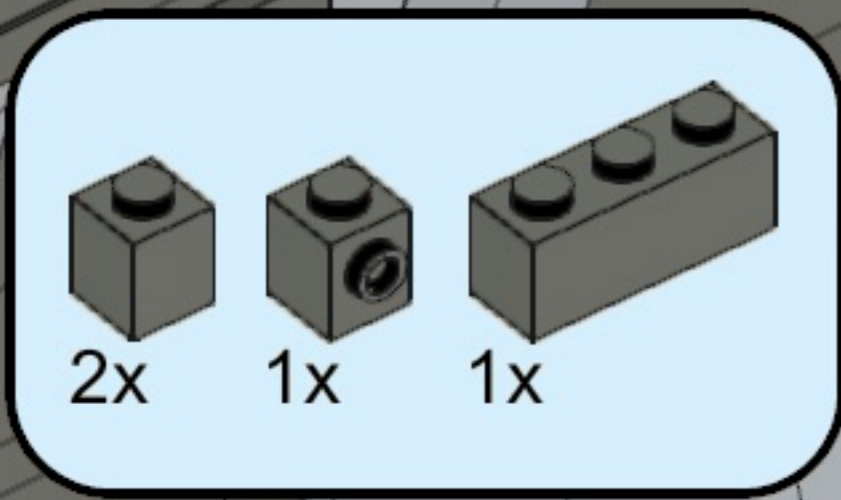


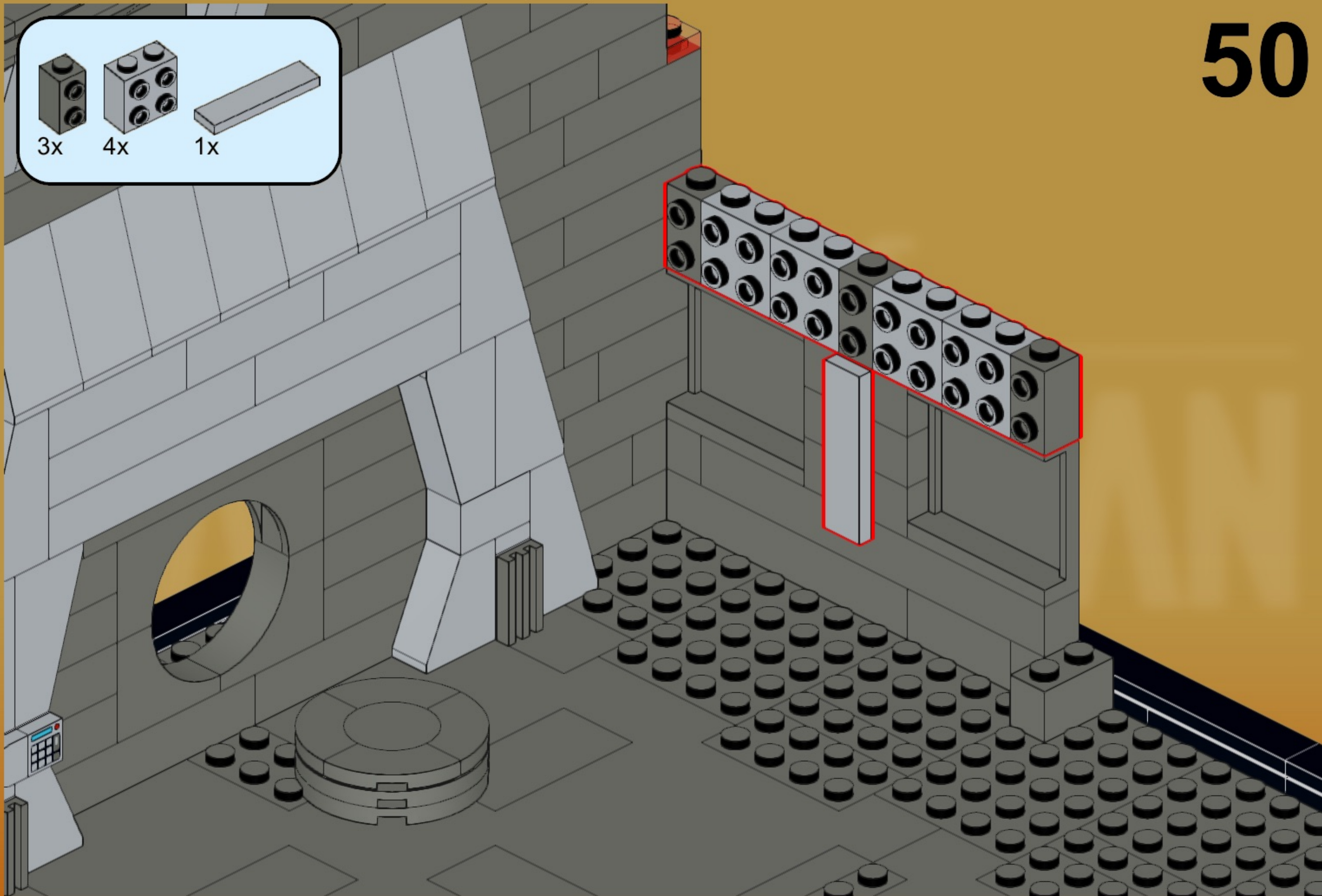
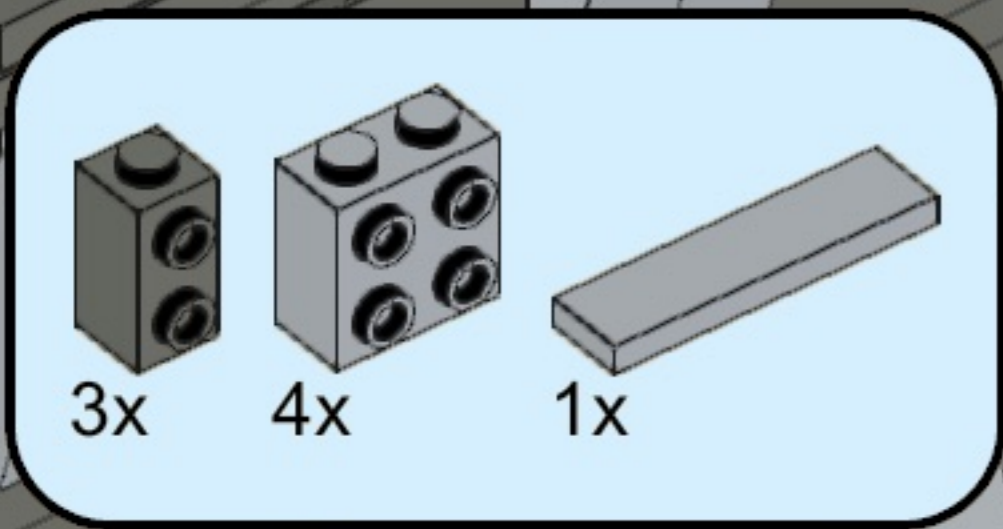
46

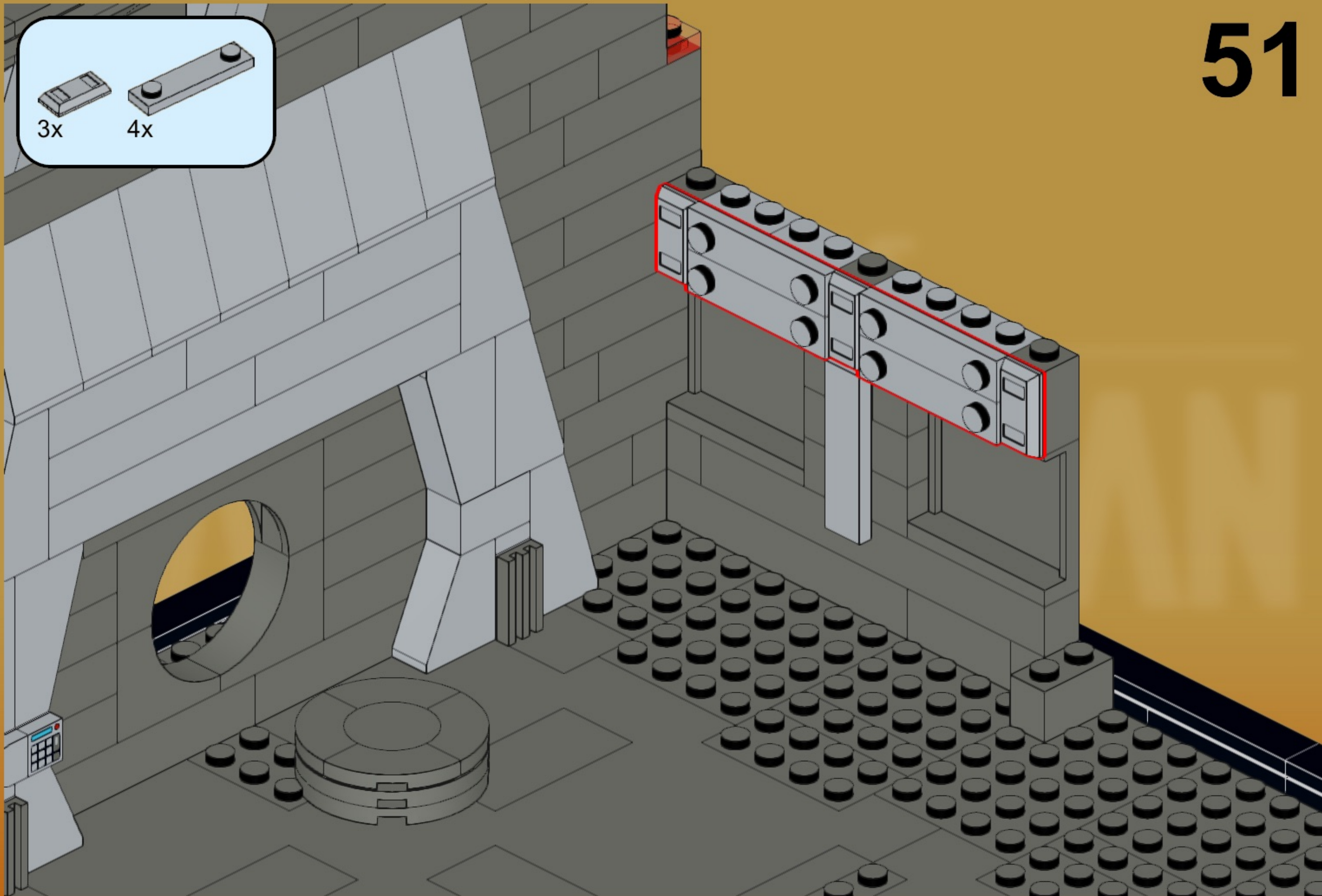


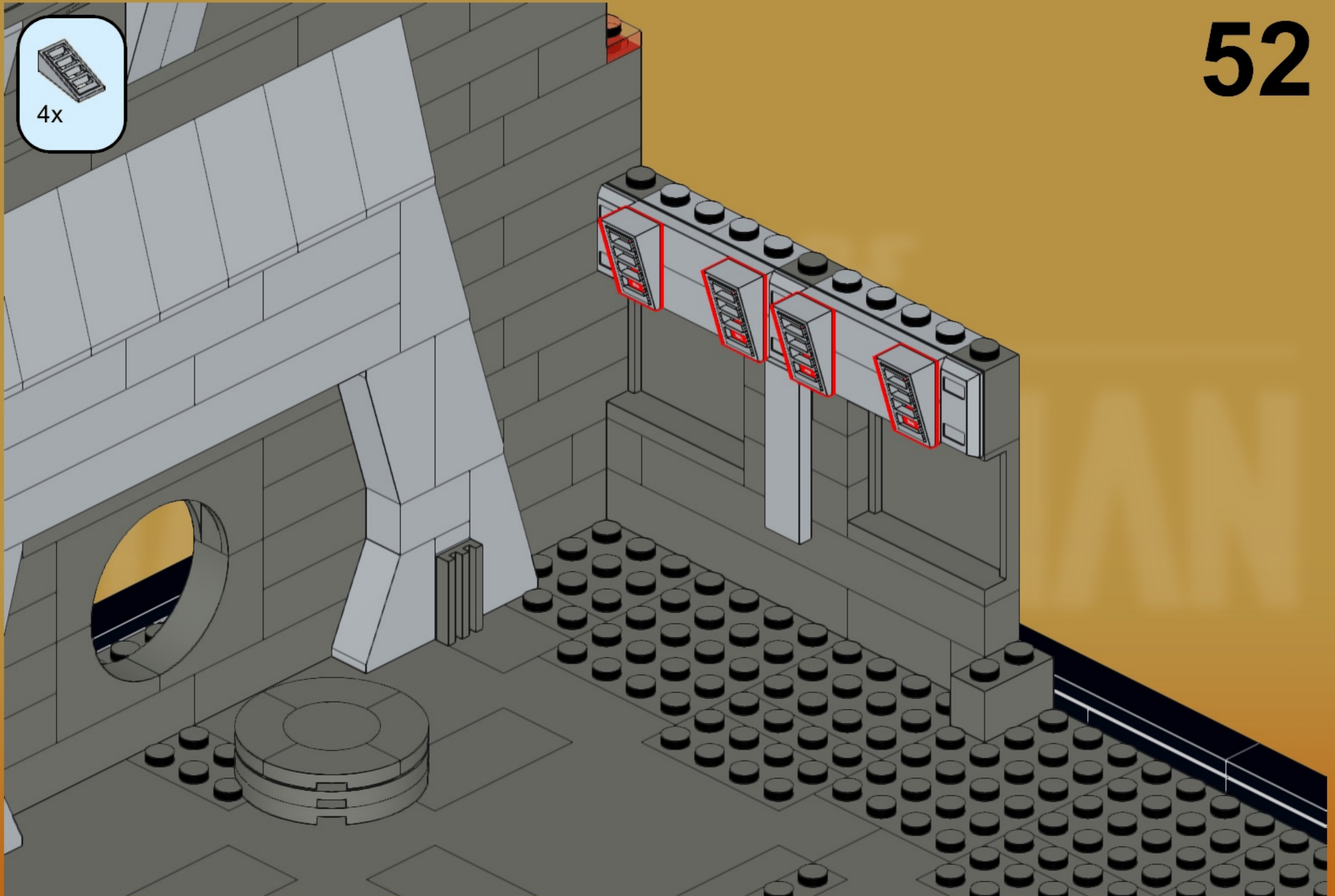
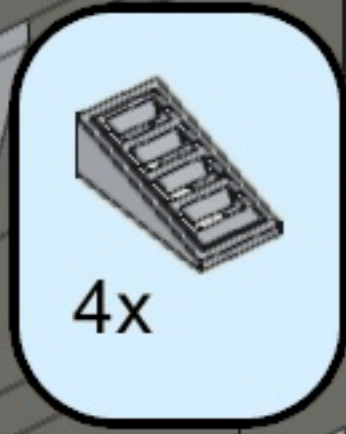


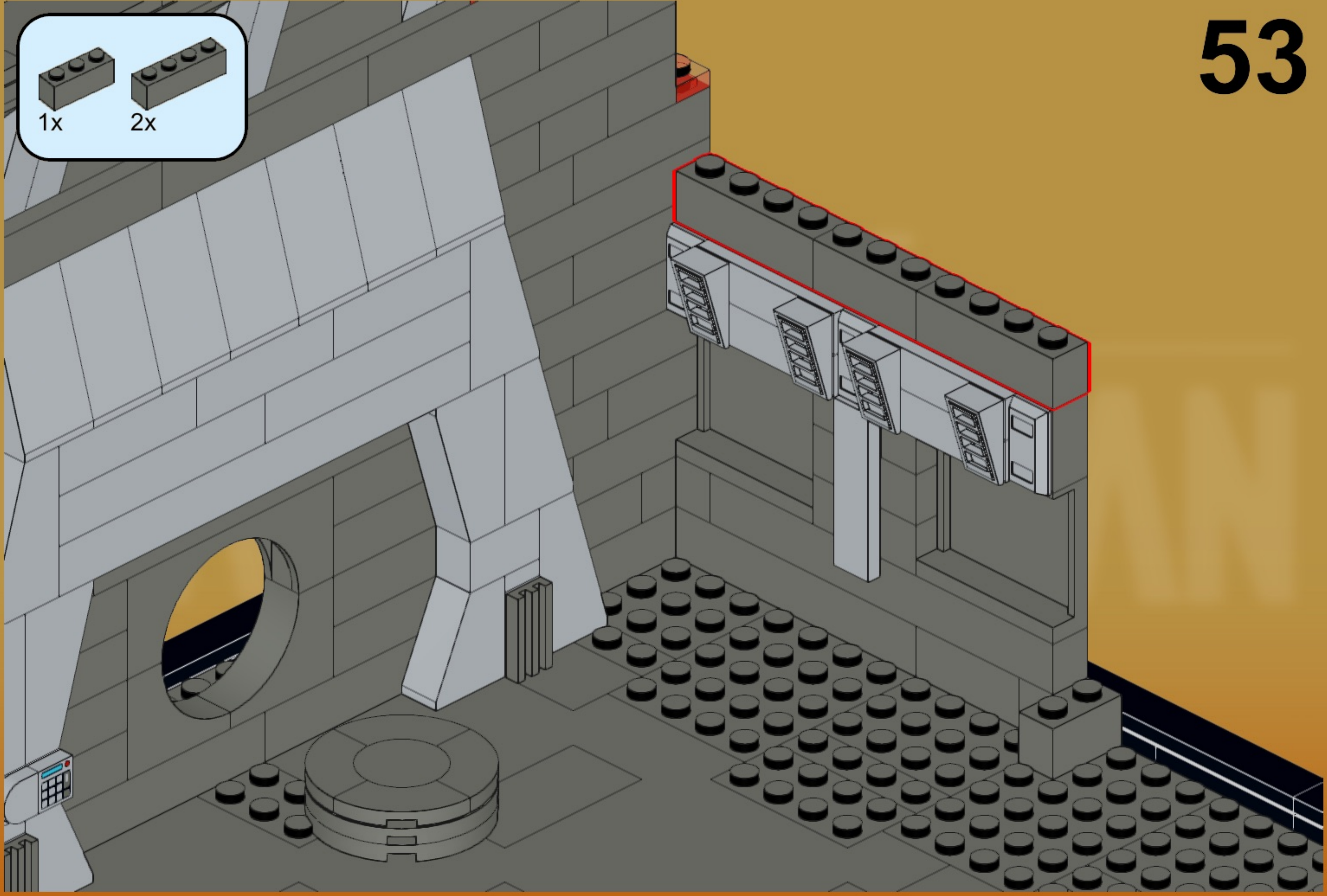
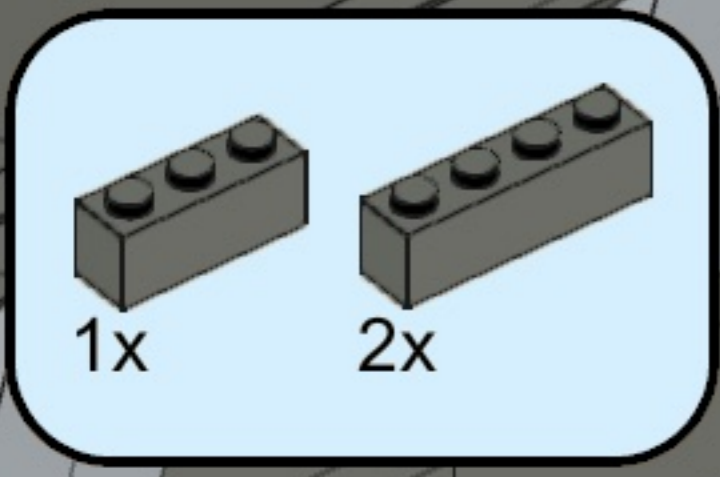


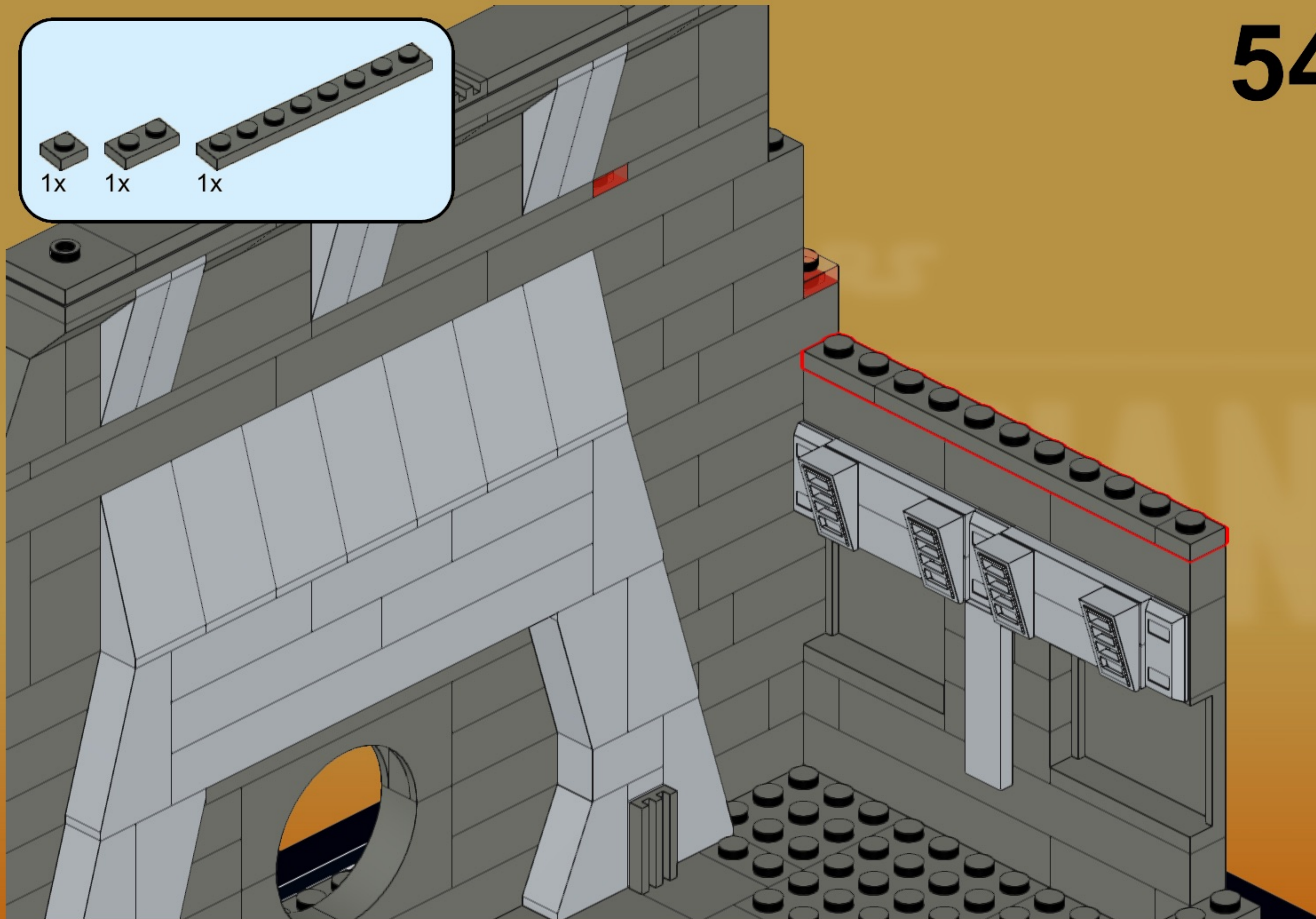
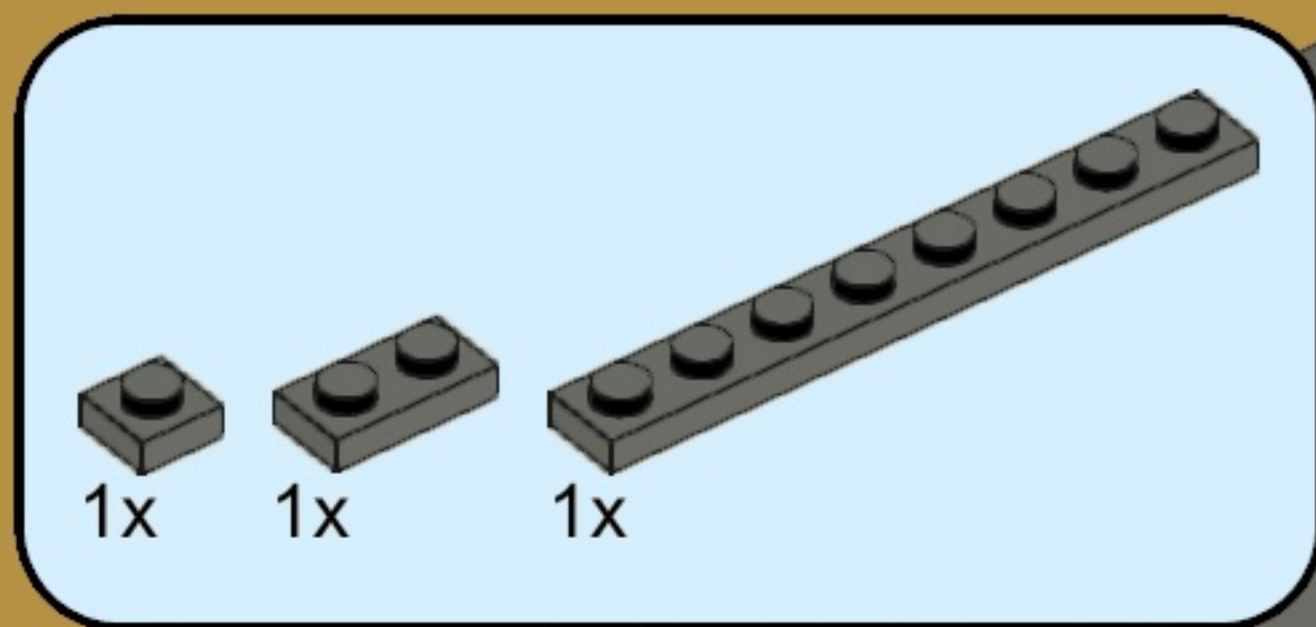


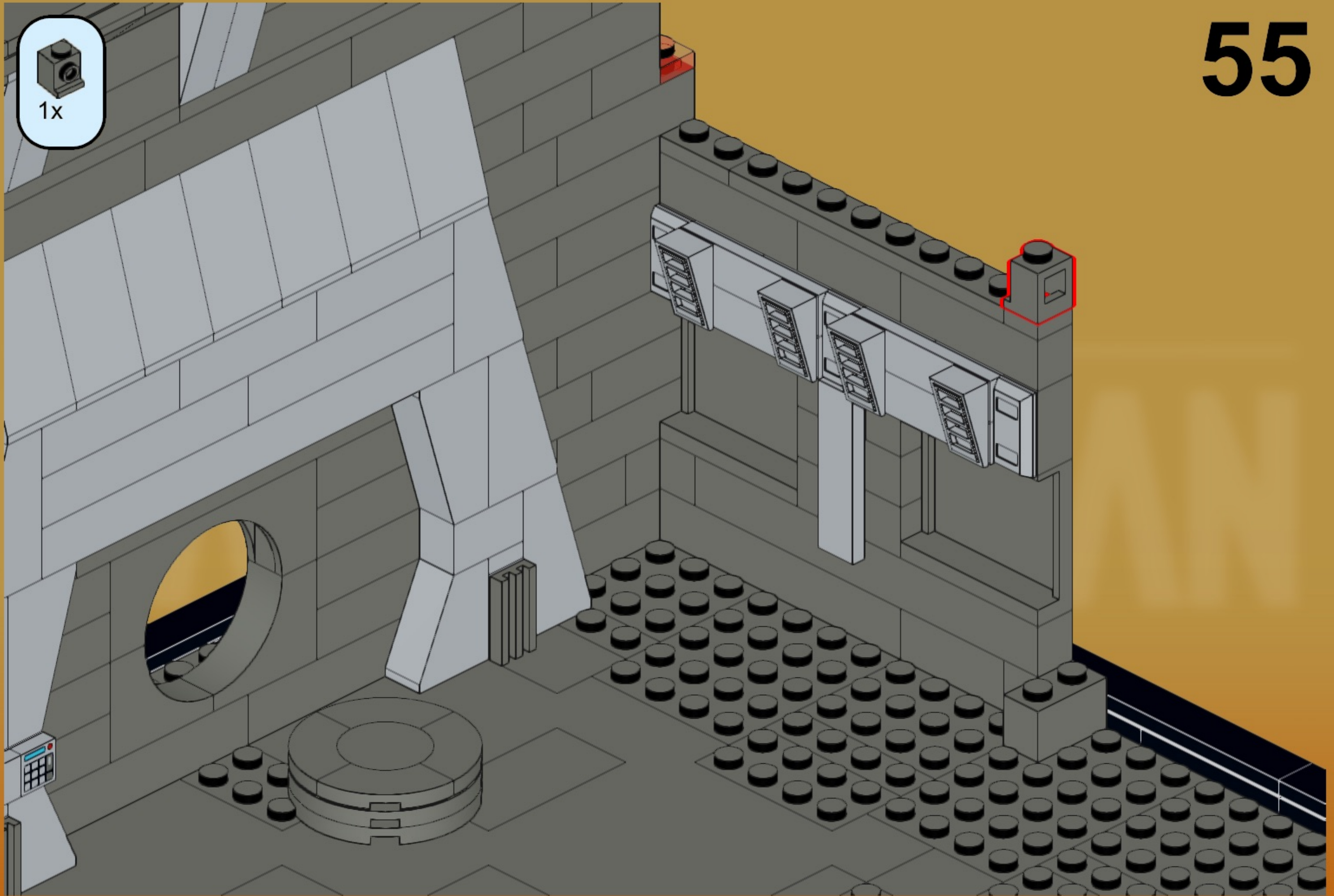
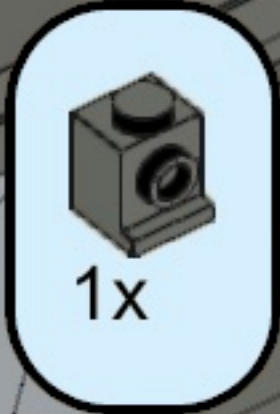


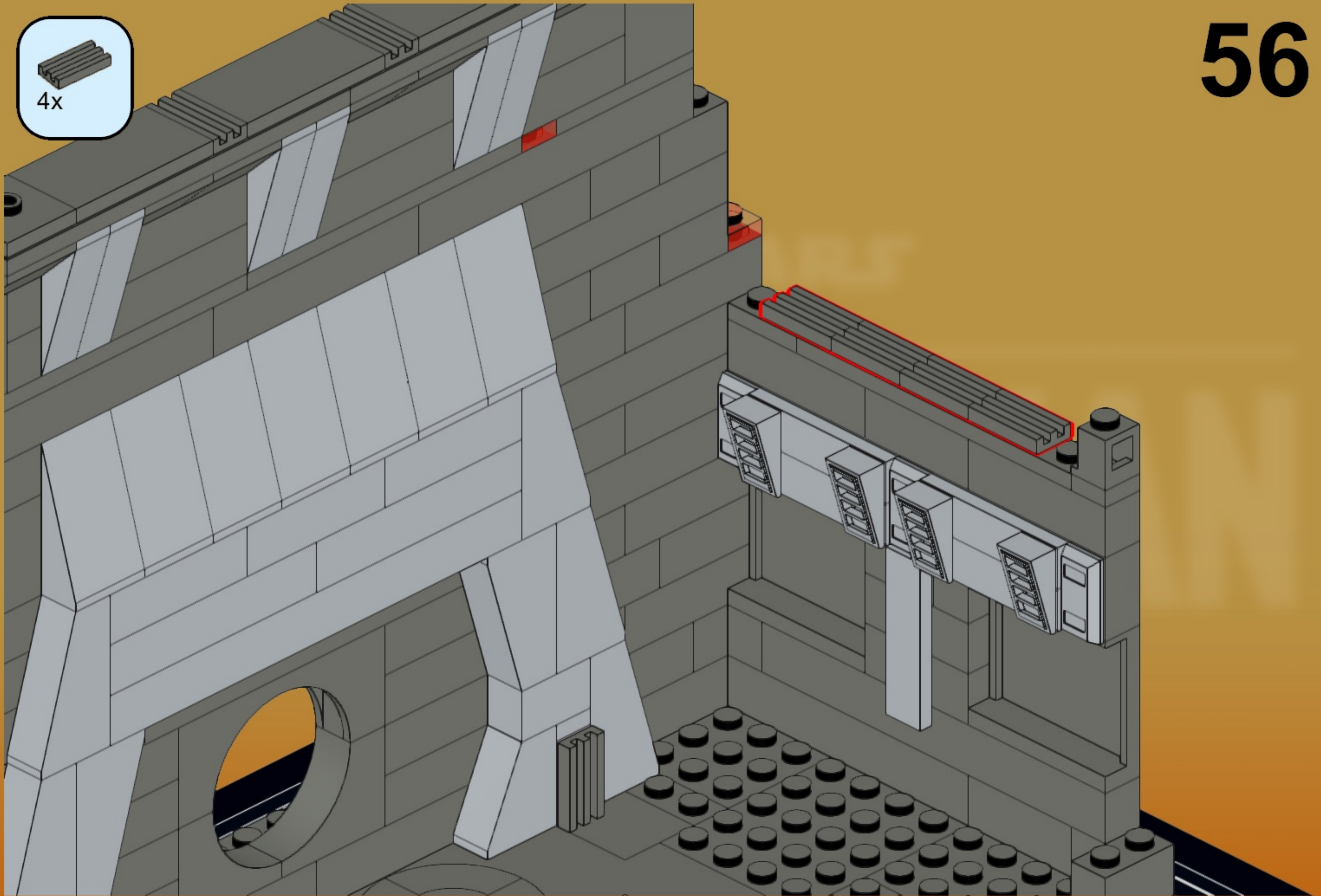




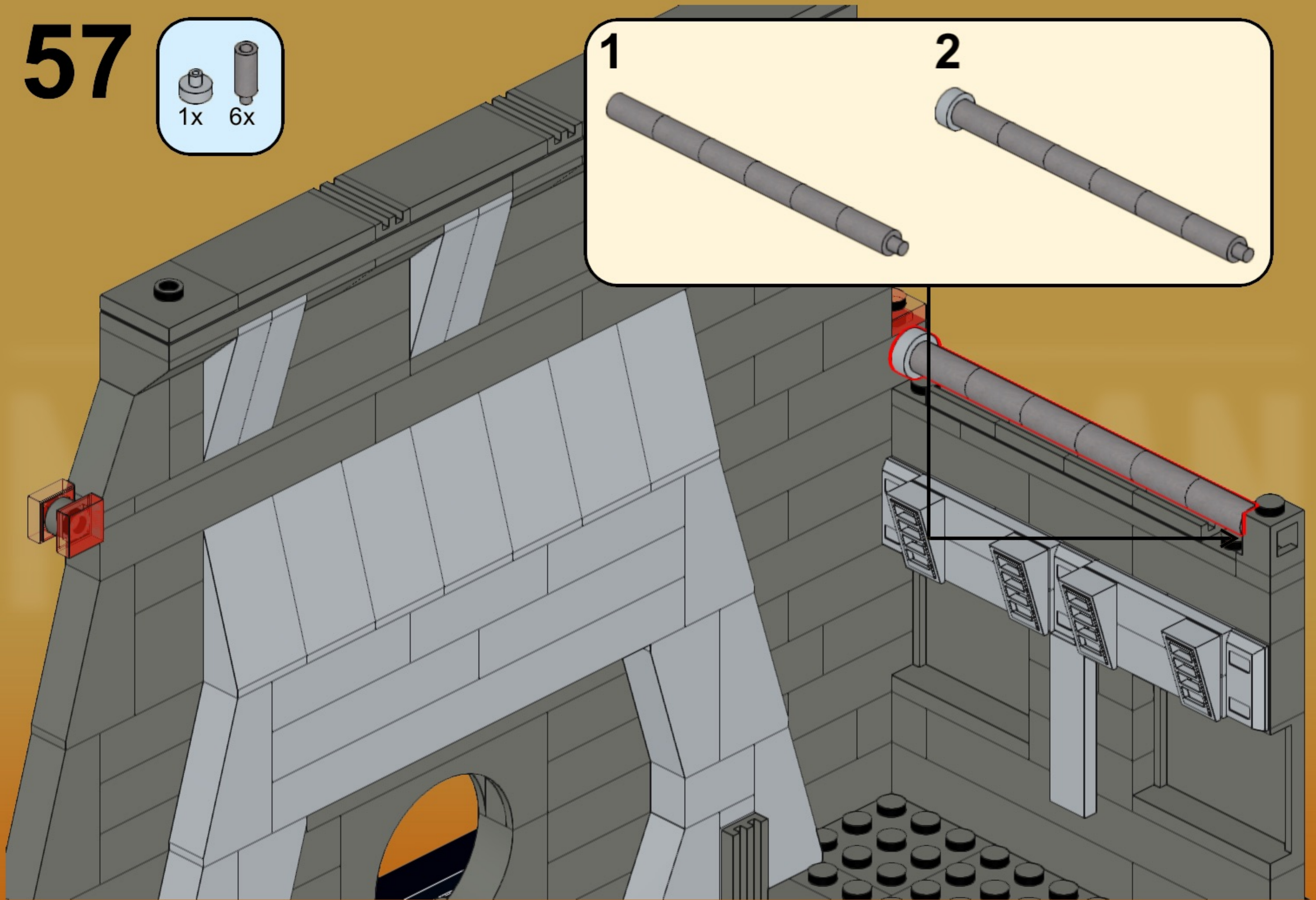
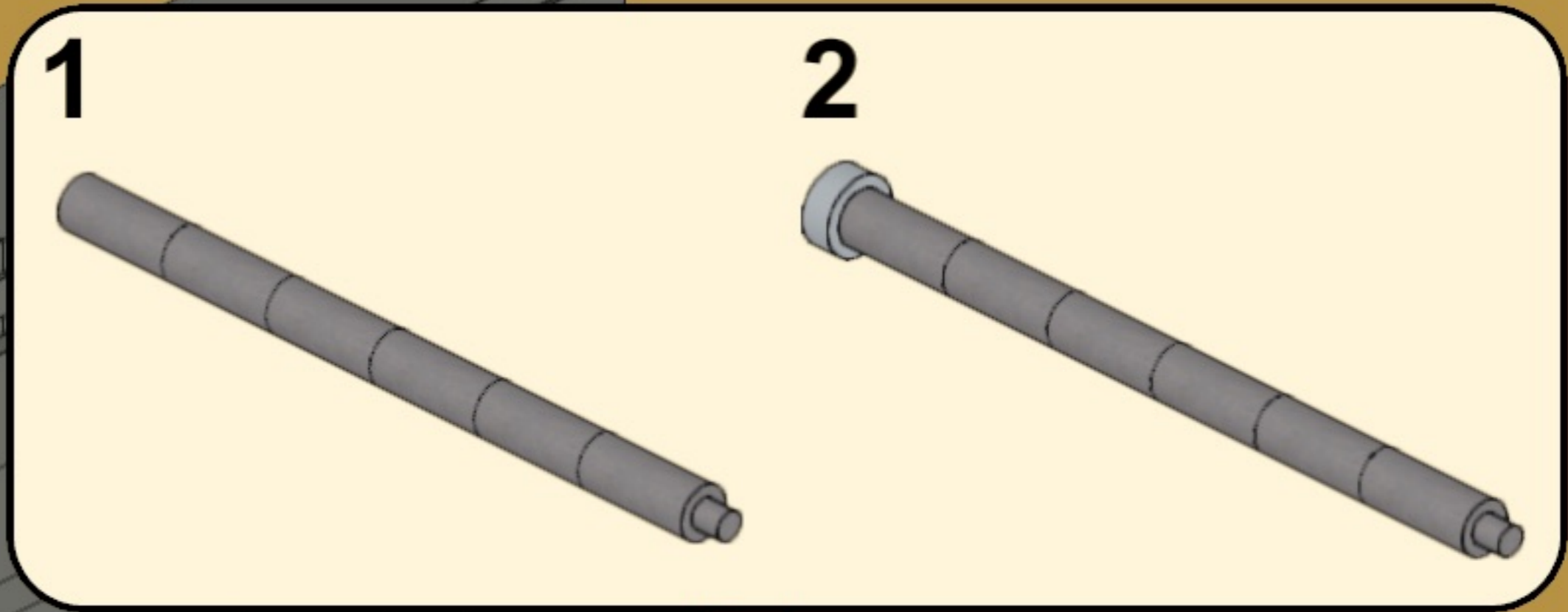


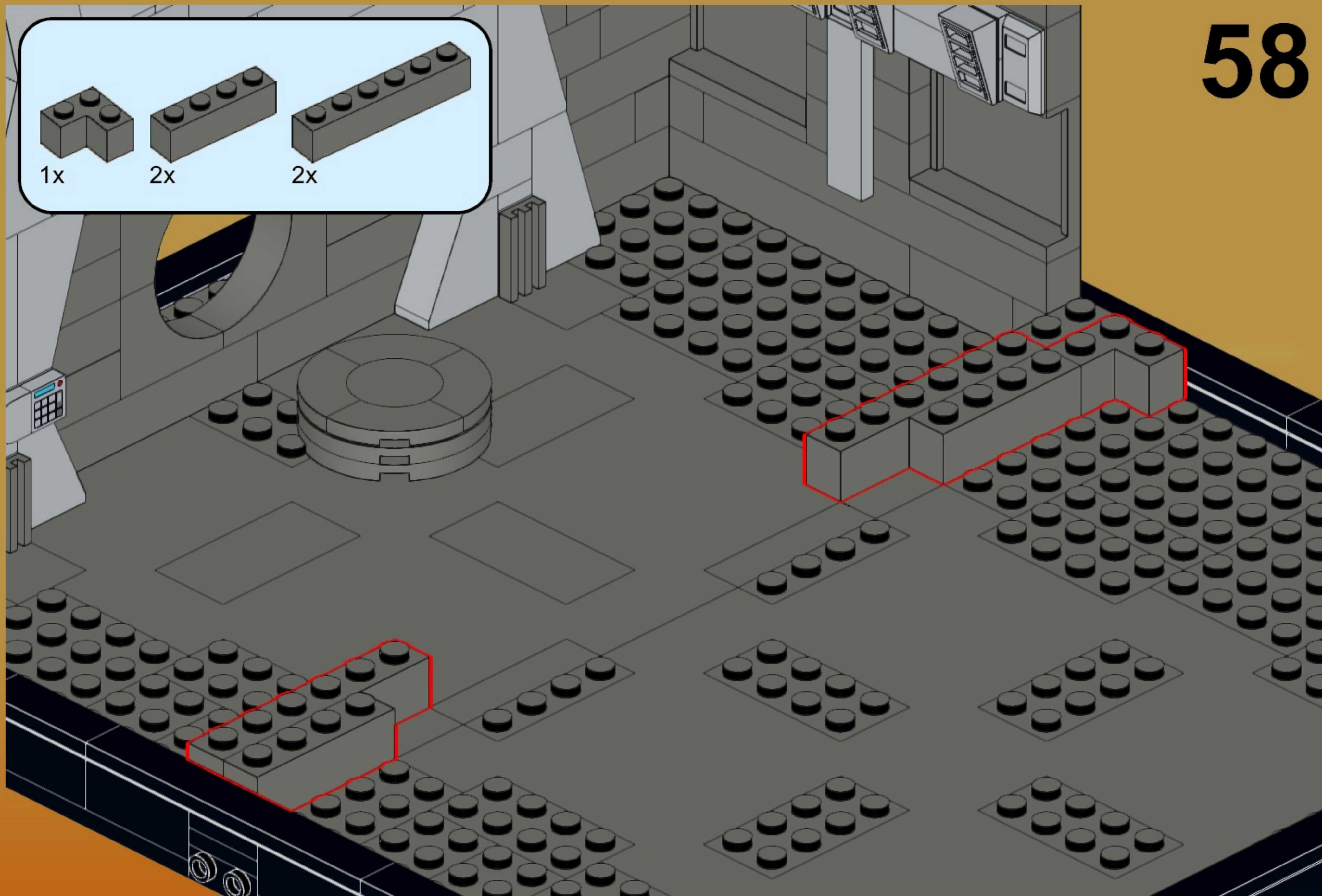
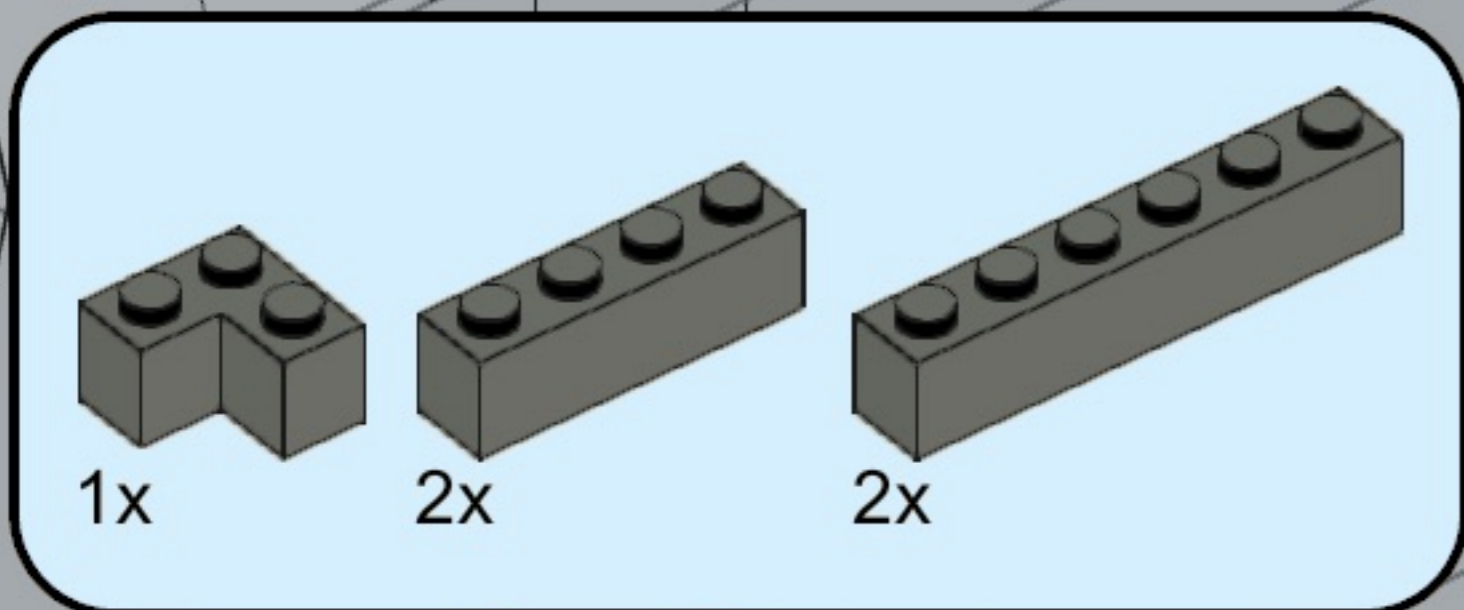


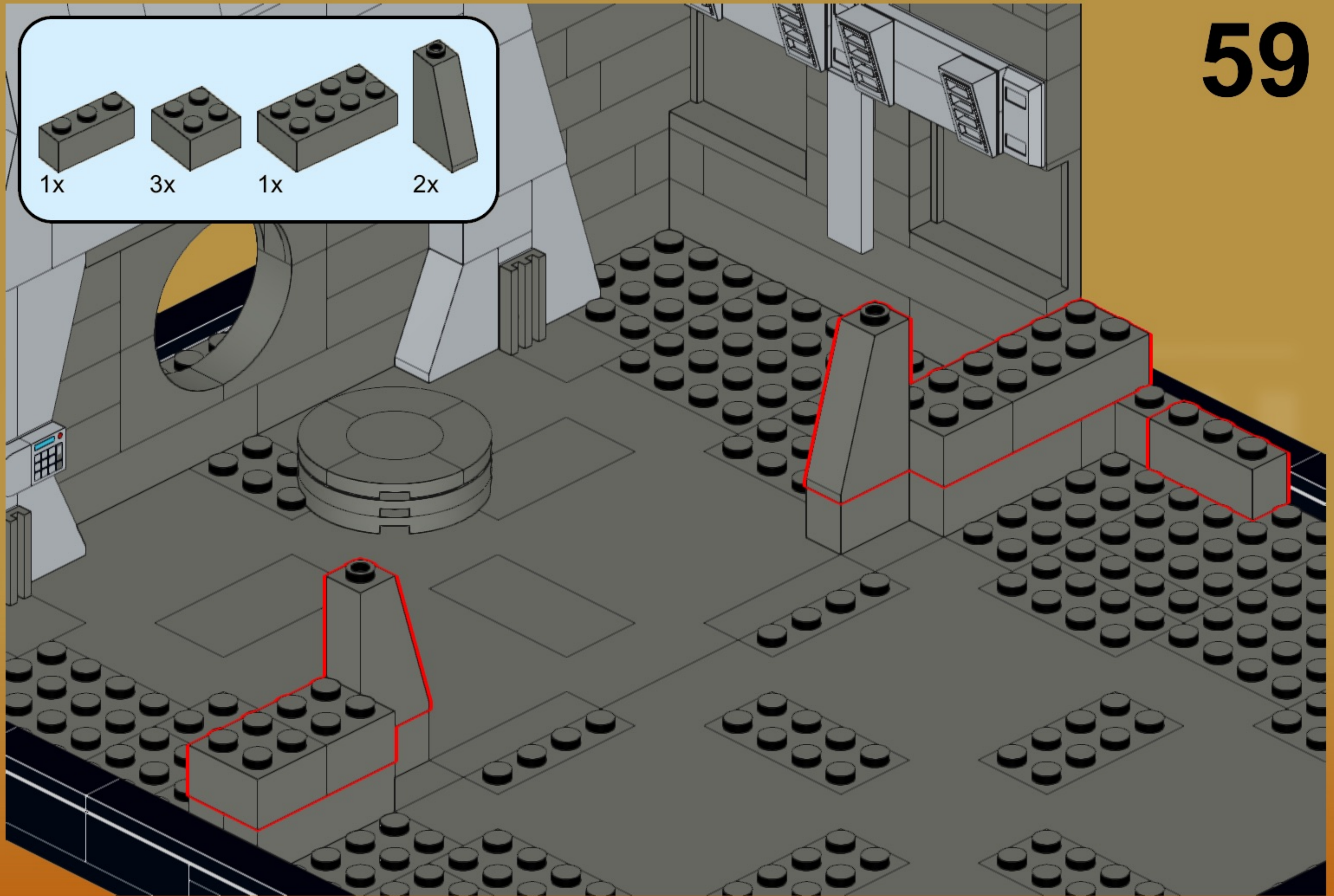
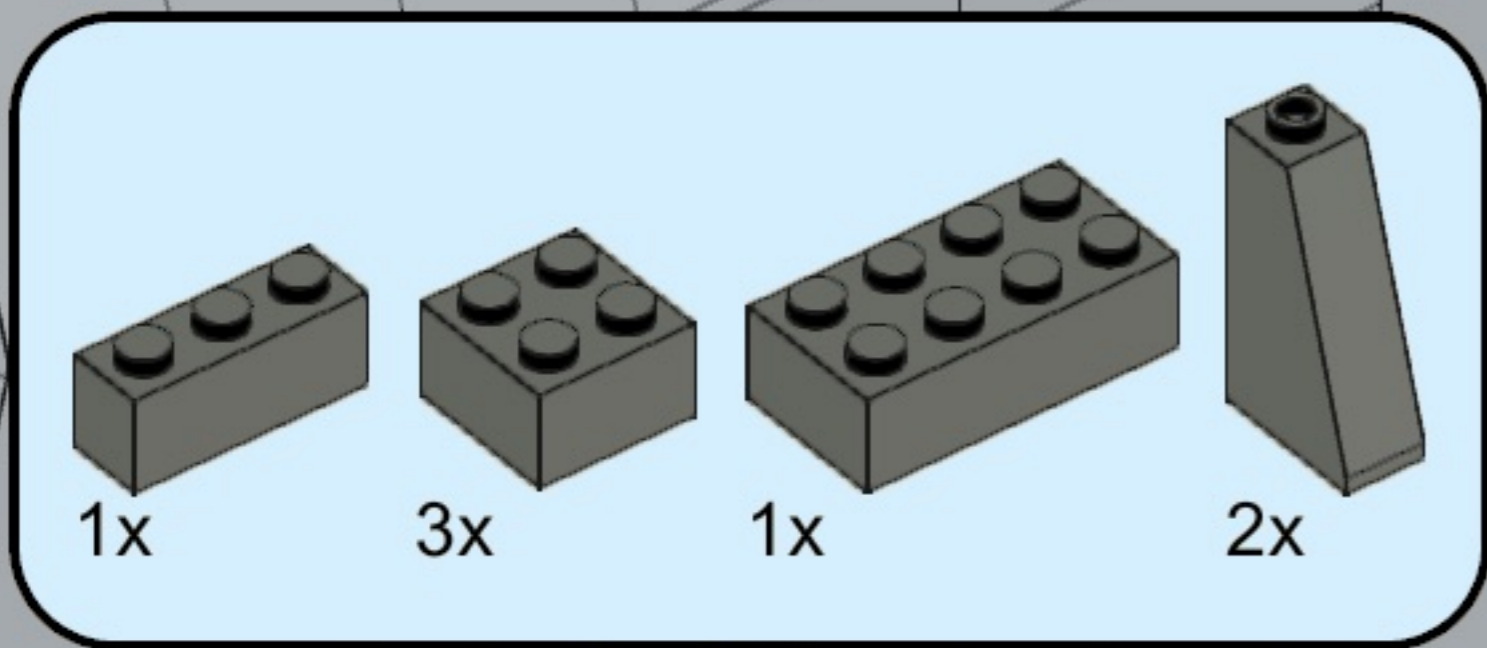


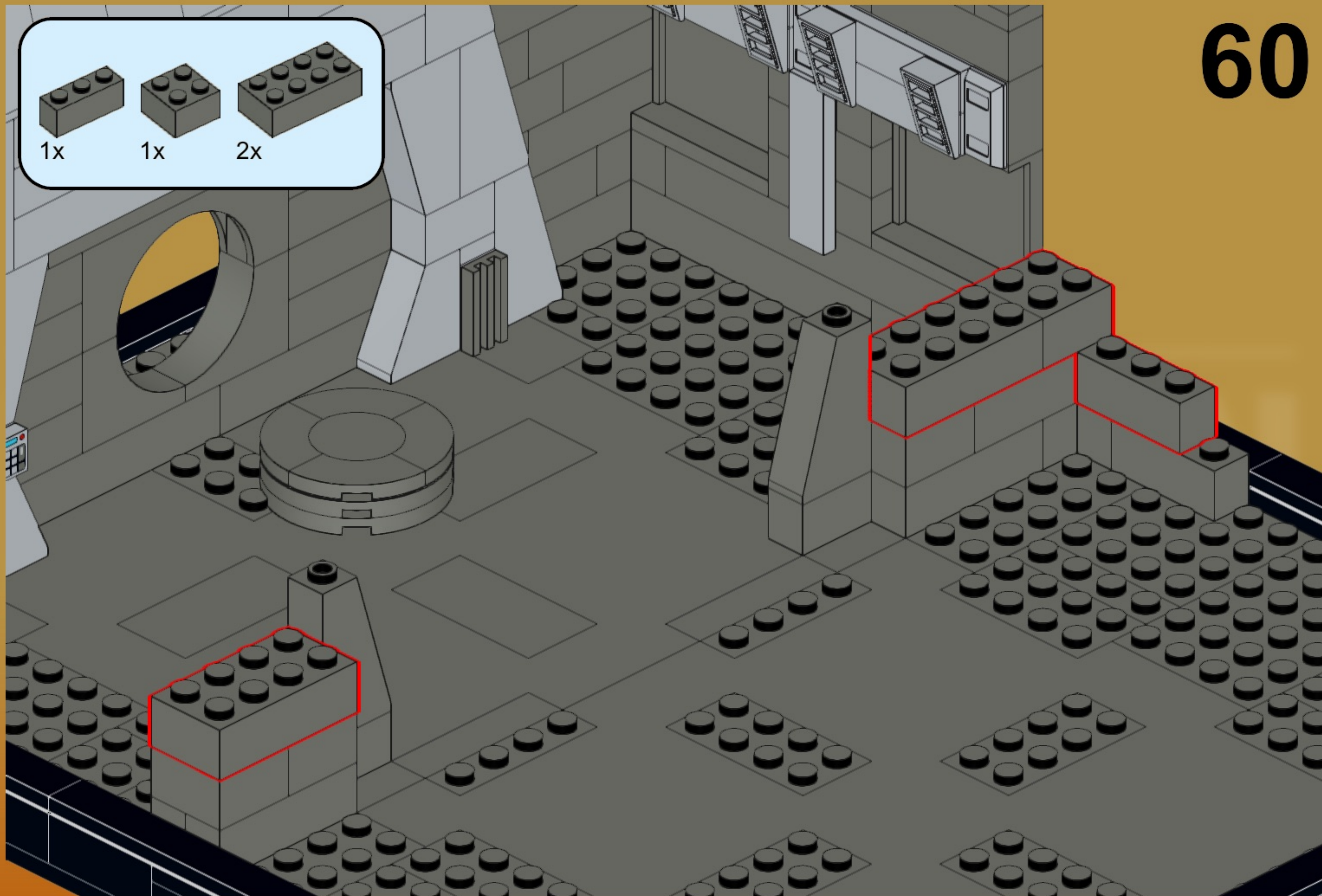
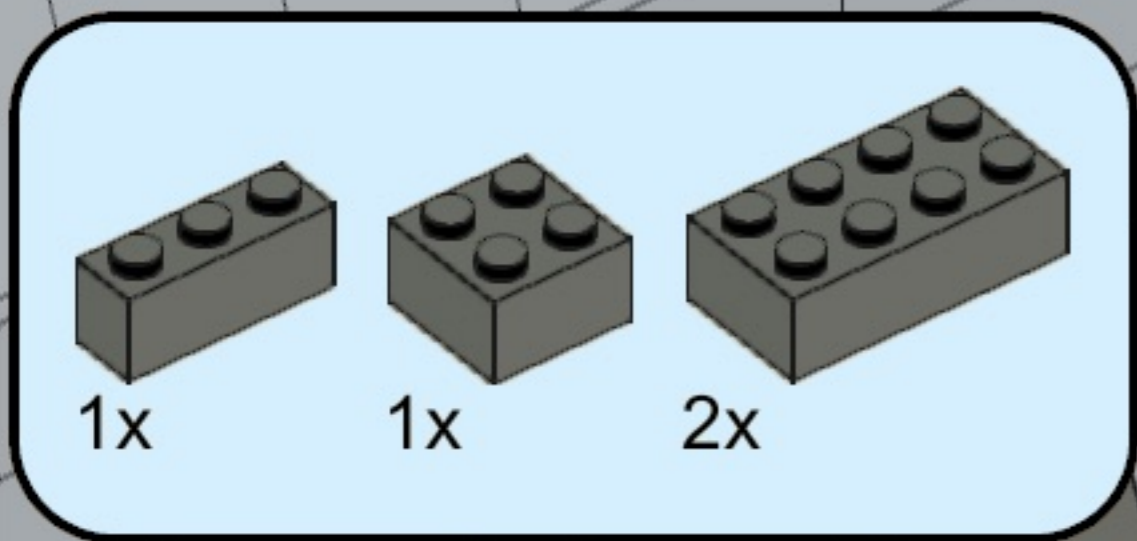


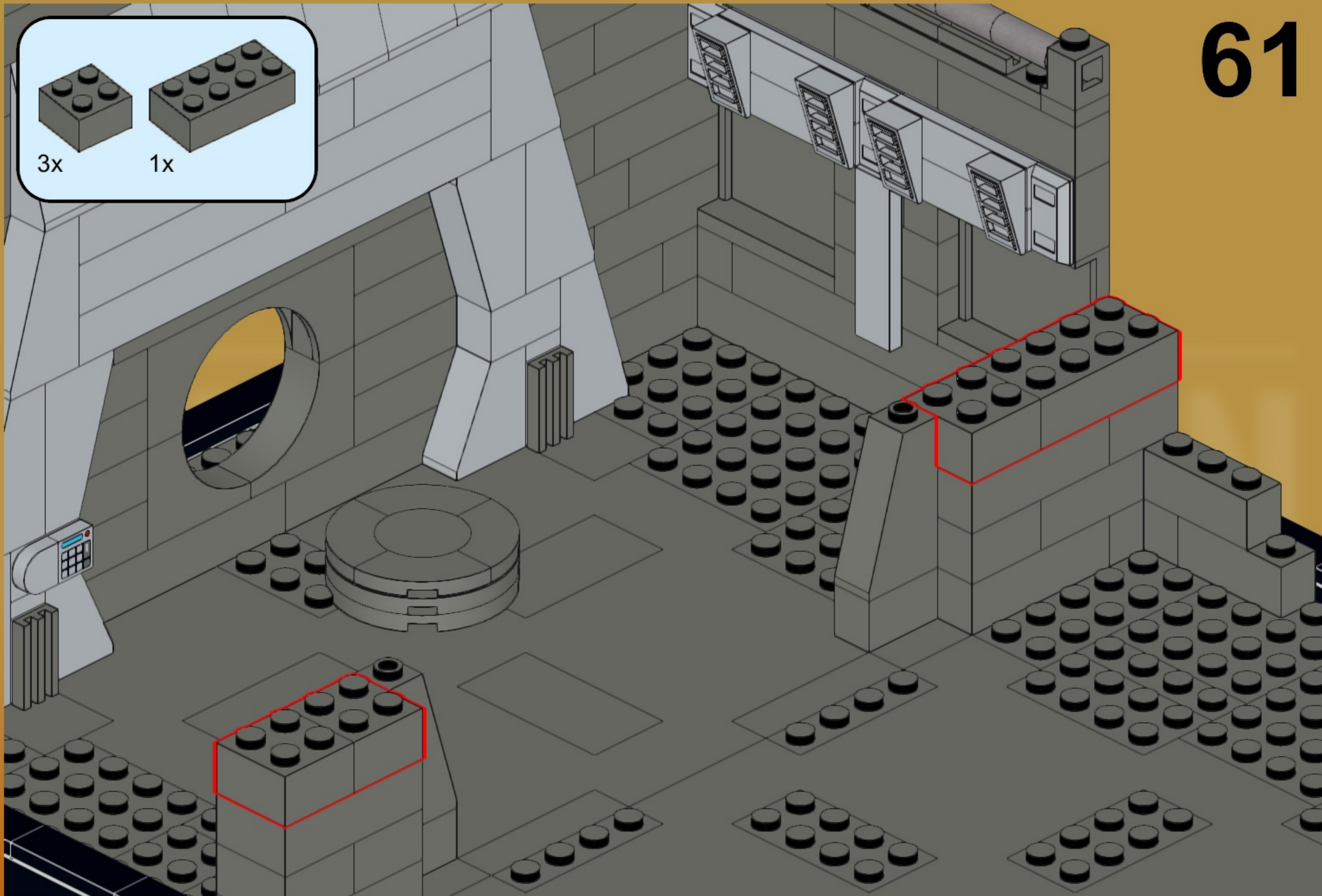
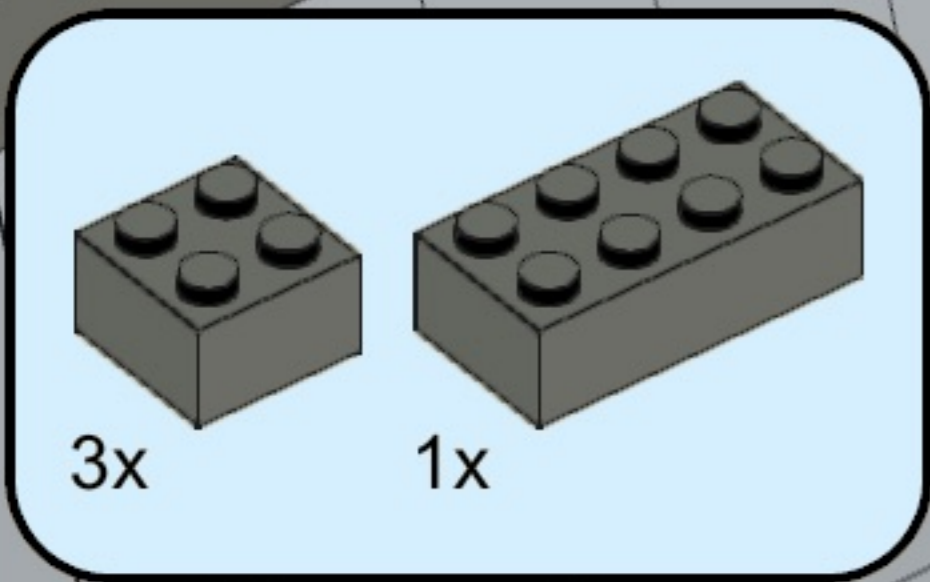
57

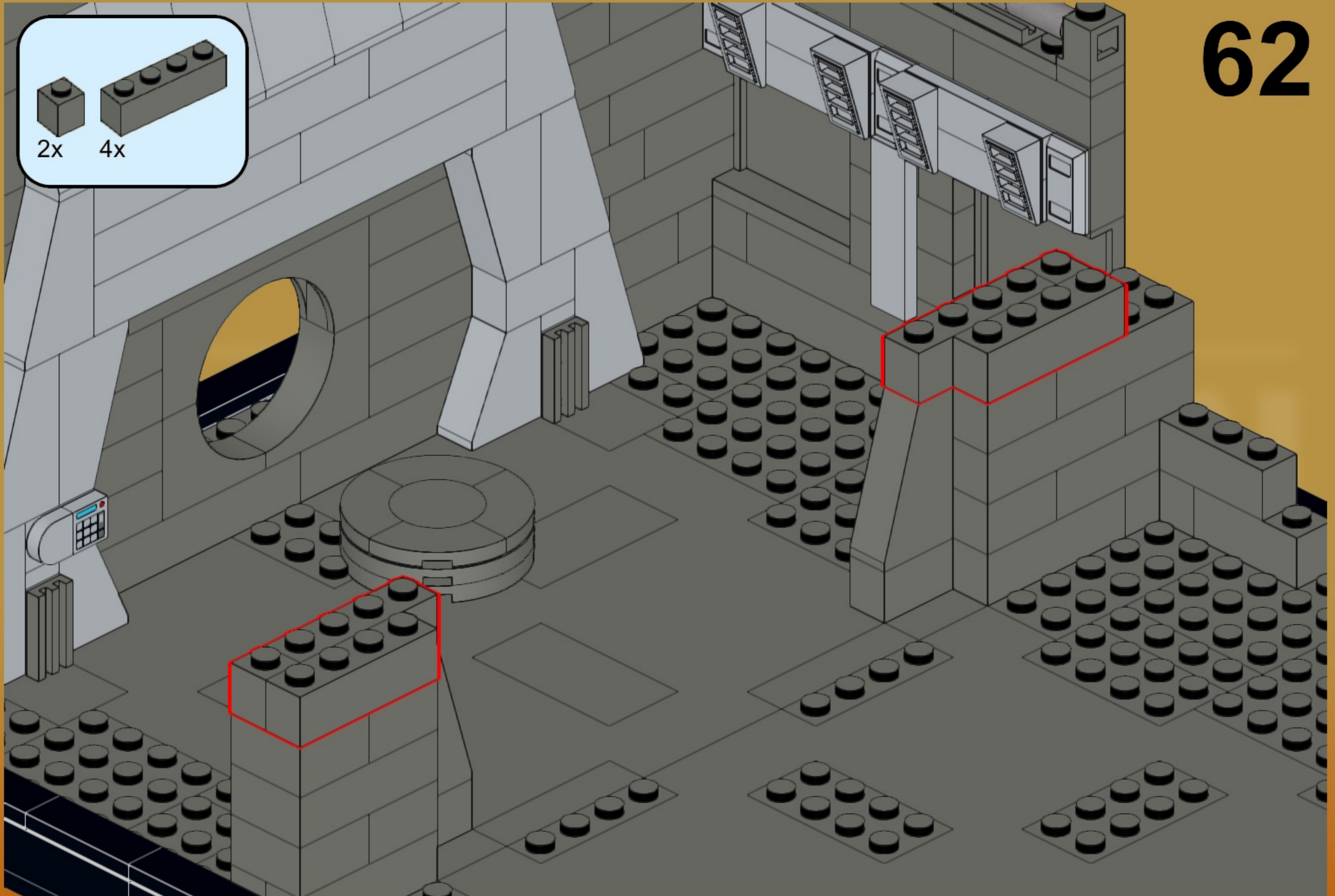
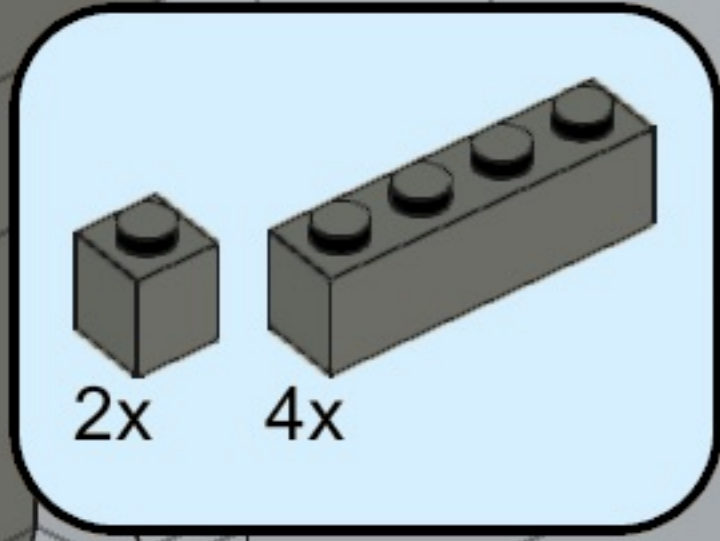


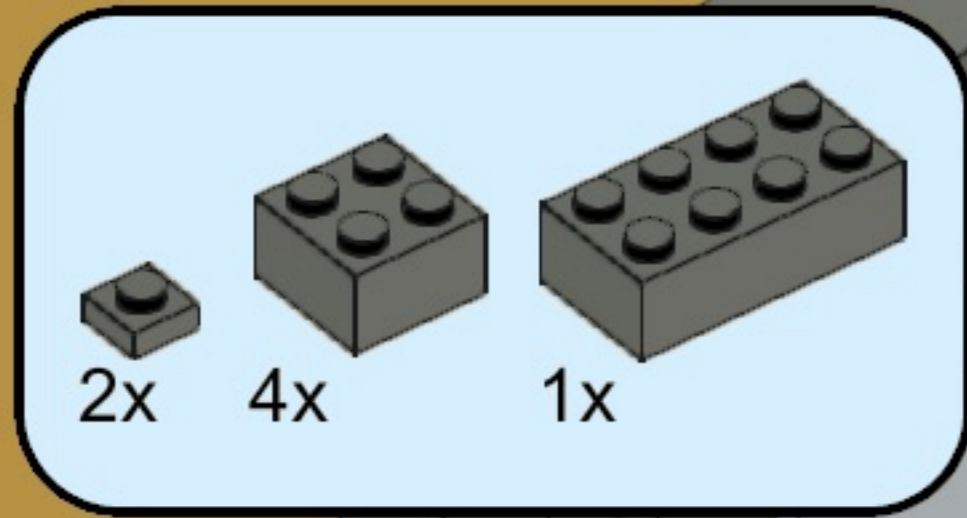






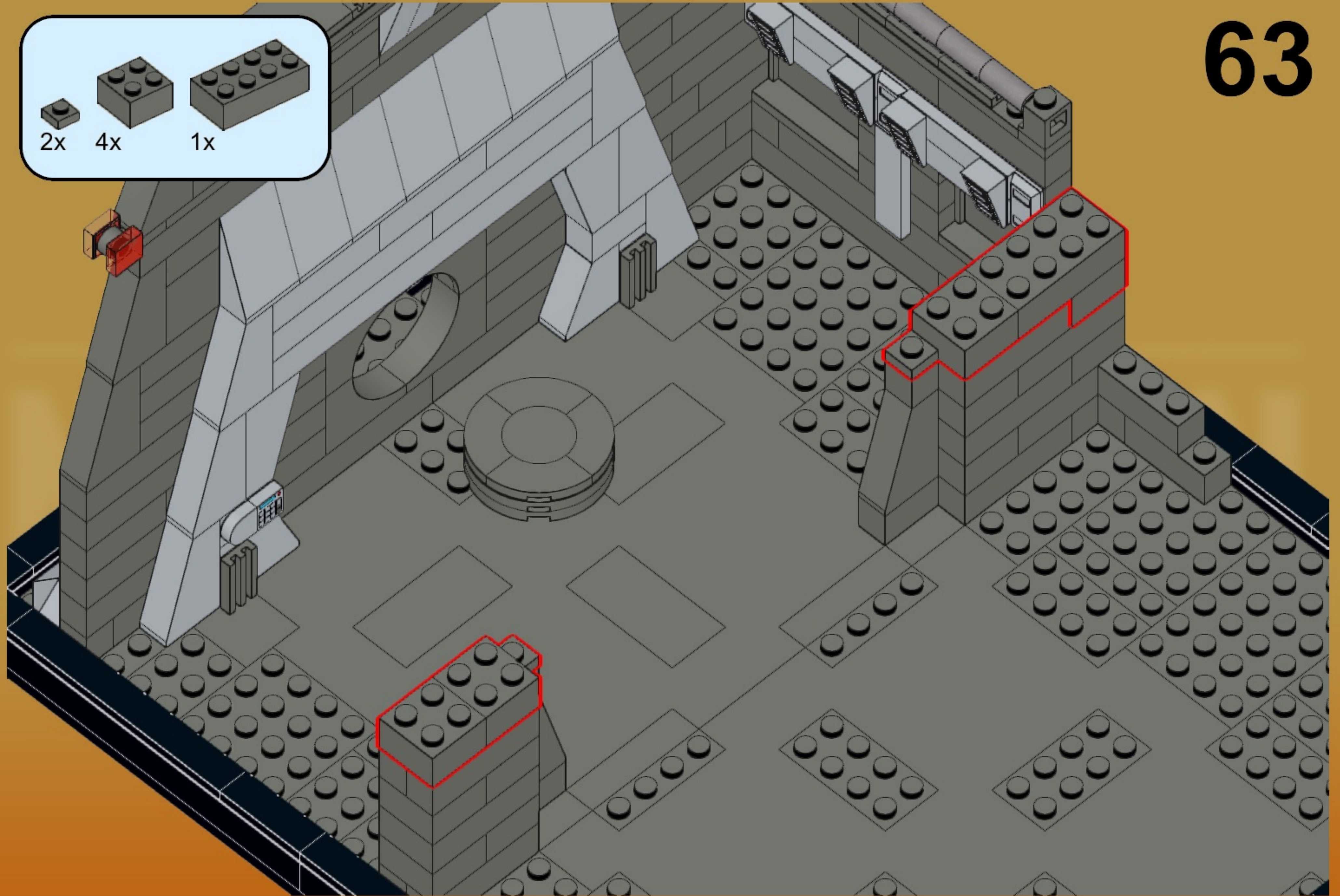


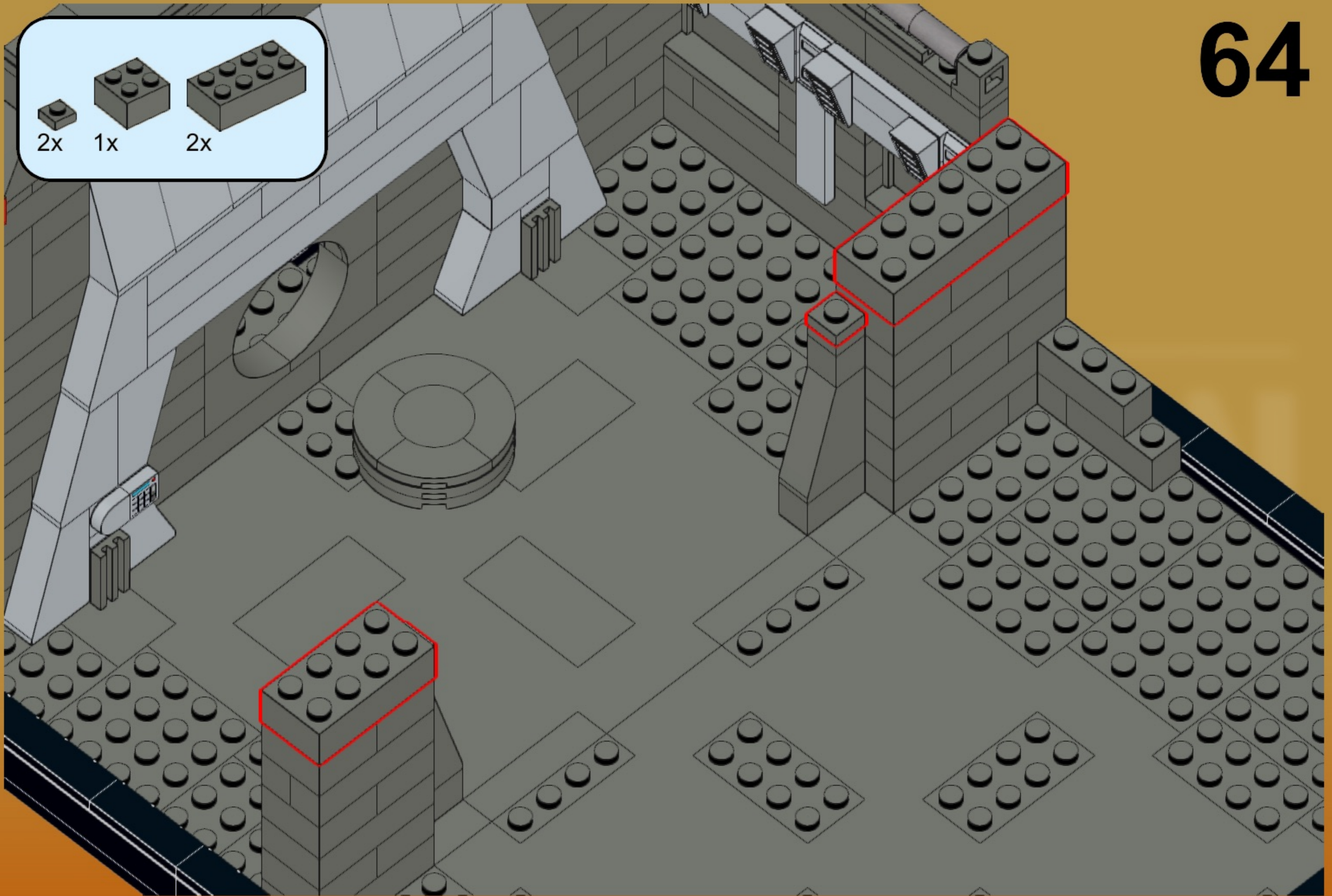
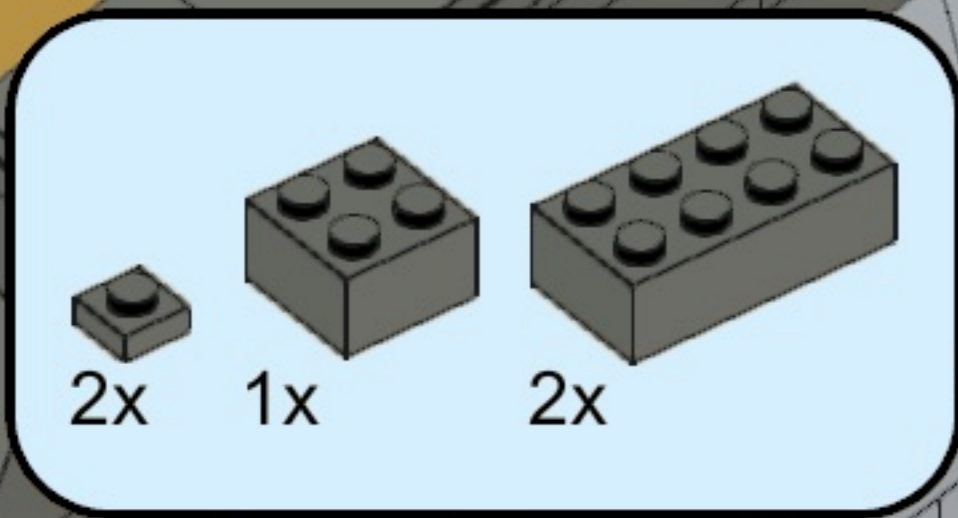


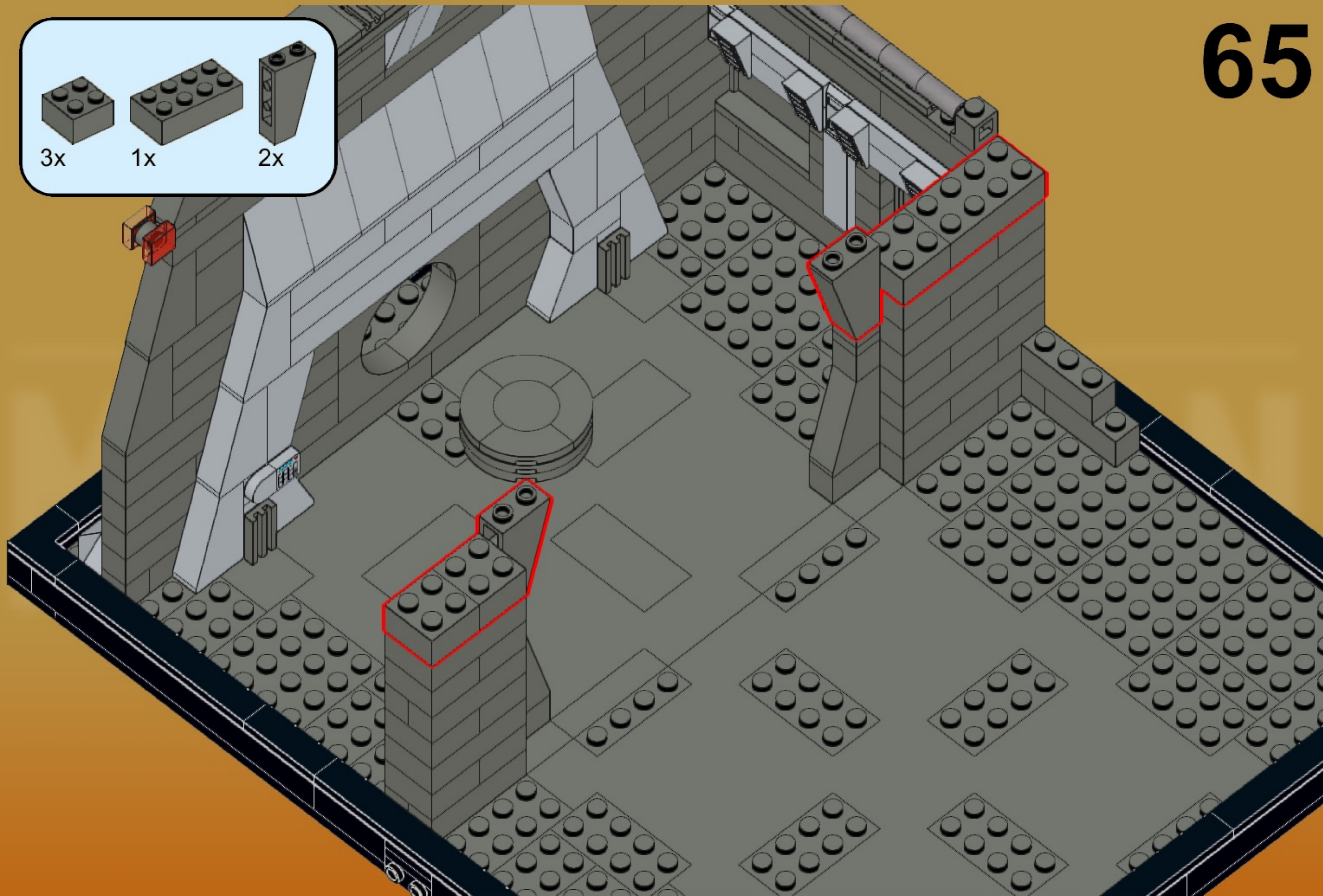
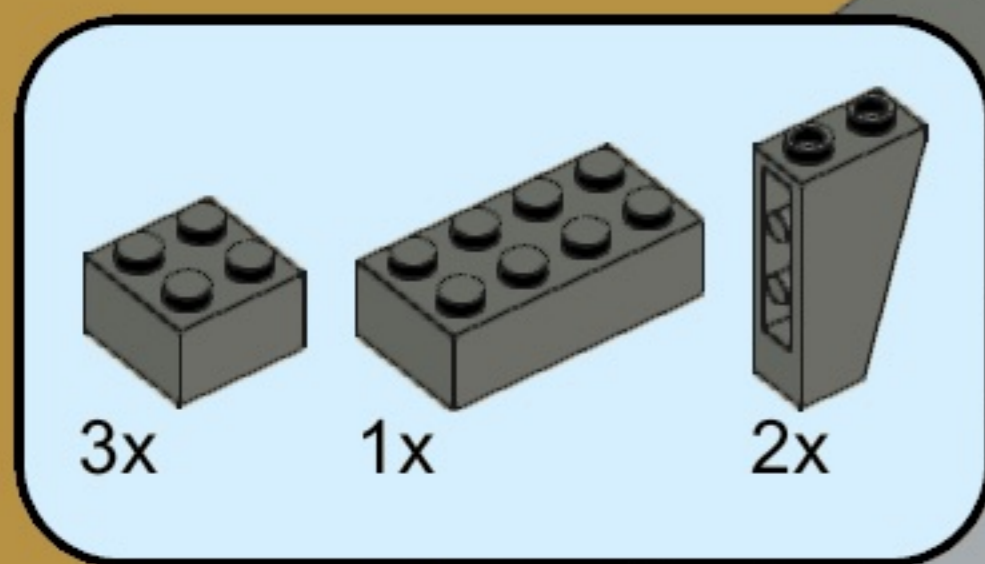


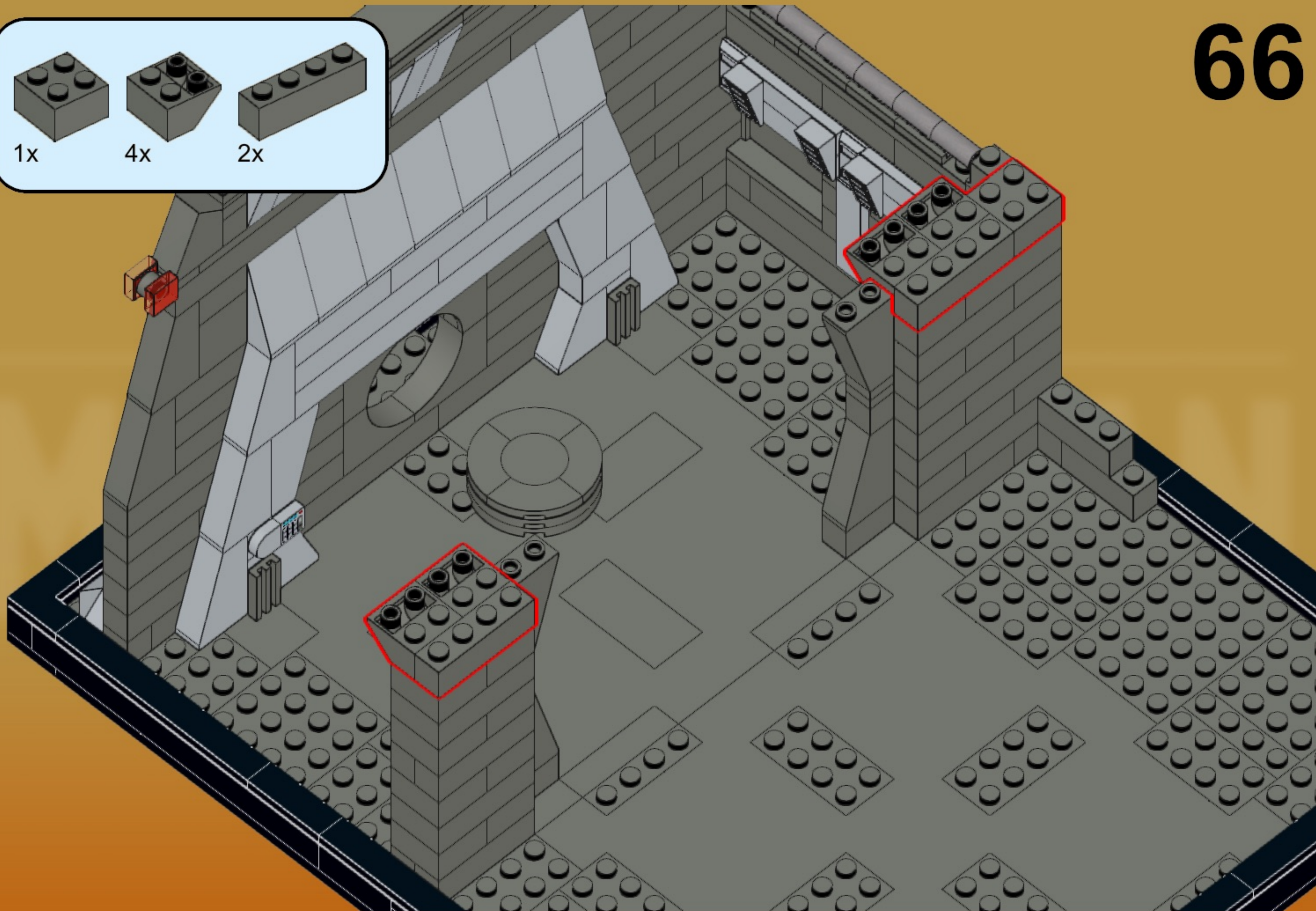
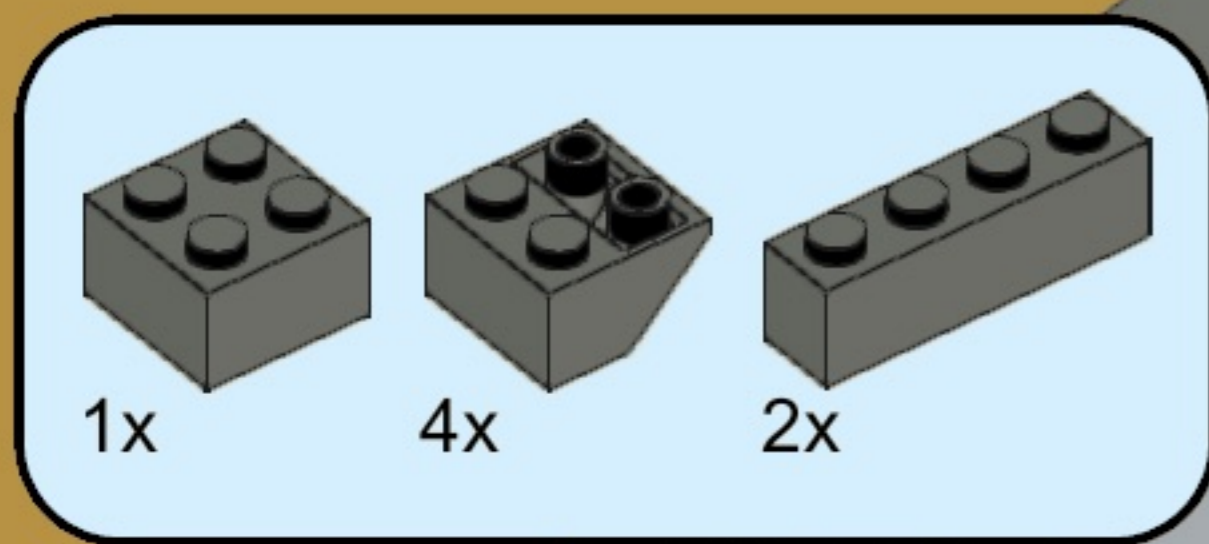
2x 4x 1x

This inset box shows the parts required for step 63: two 1x1 grey Technic bricks, four 1x4 grey Technic bricks, and one 1x6 grey Technic brick.

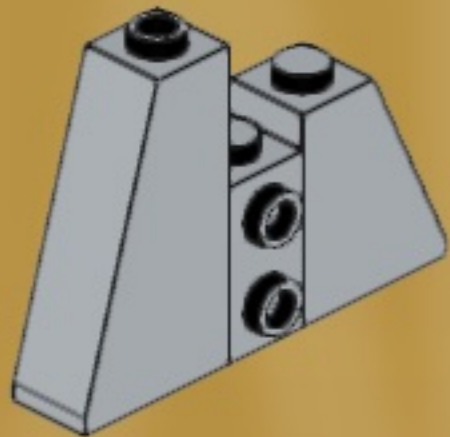
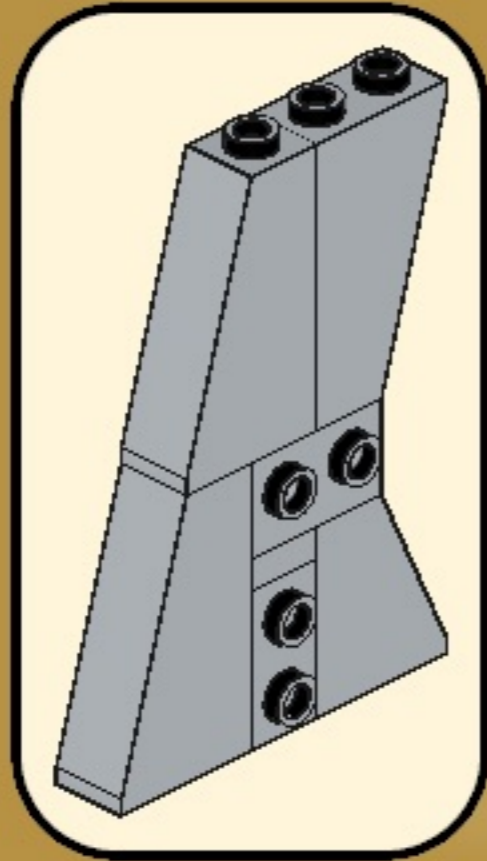
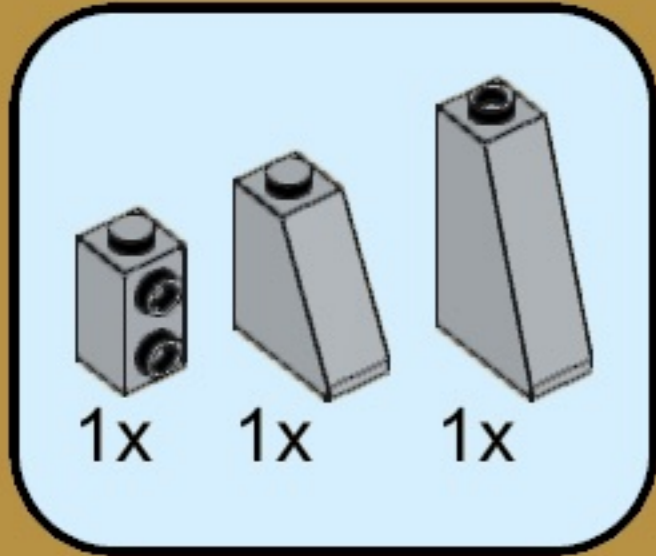




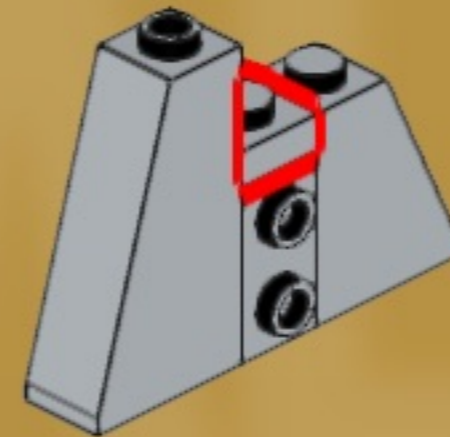
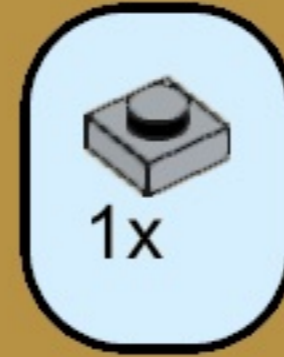




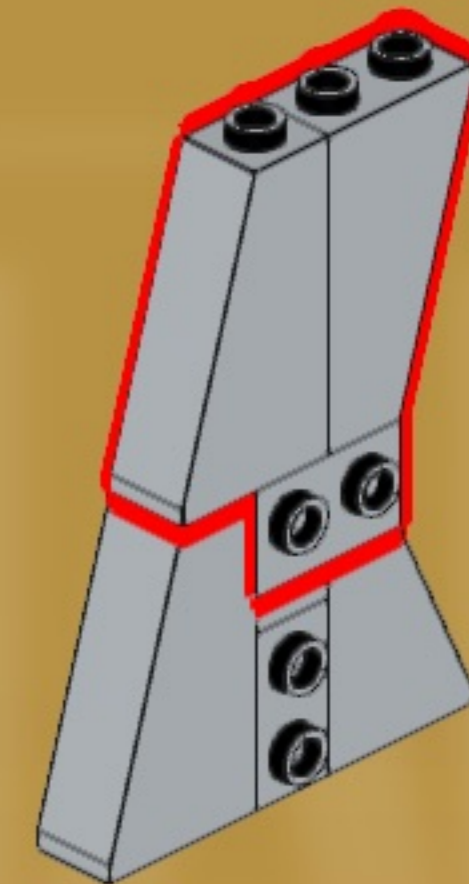
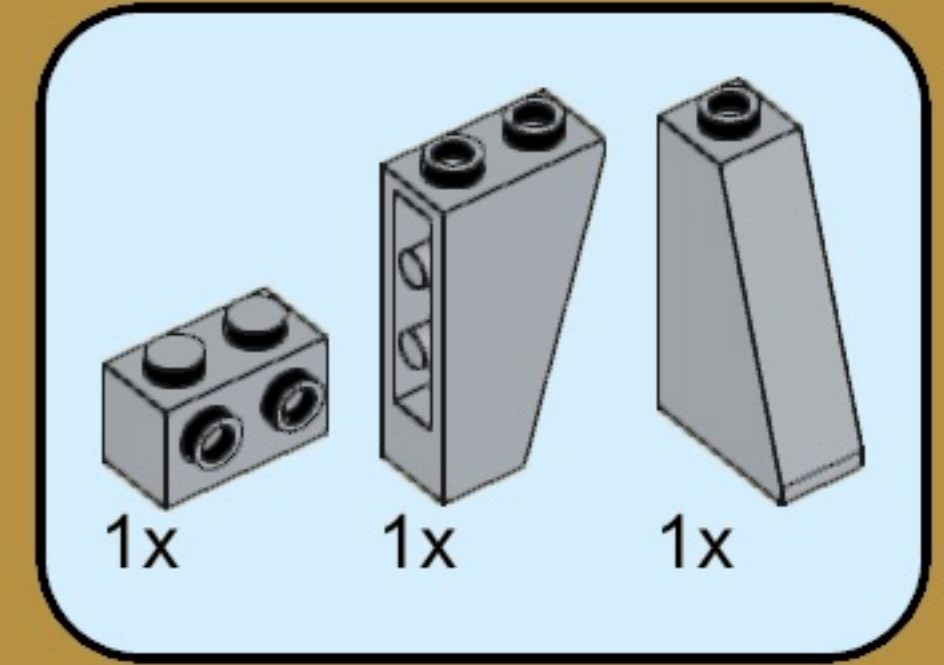
67



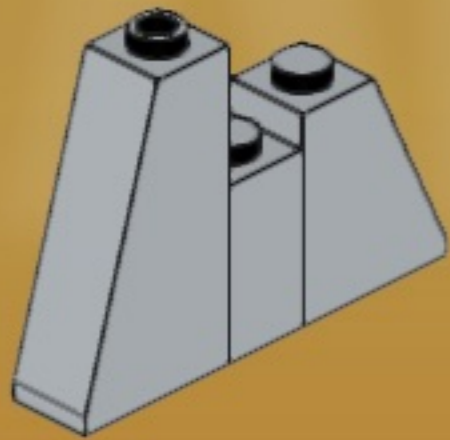
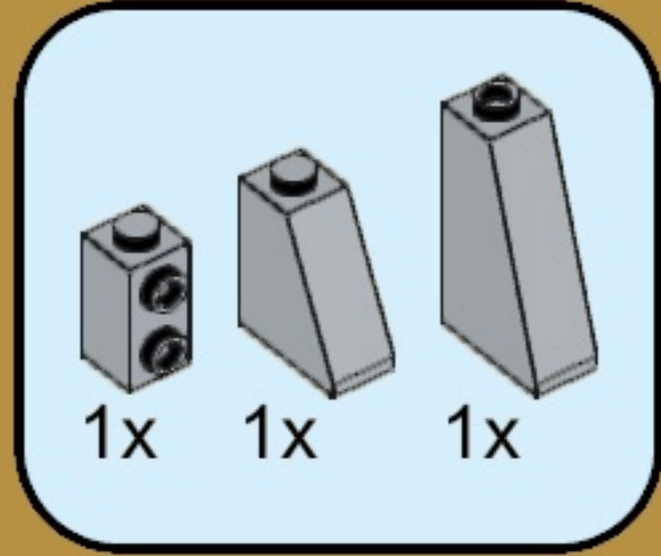
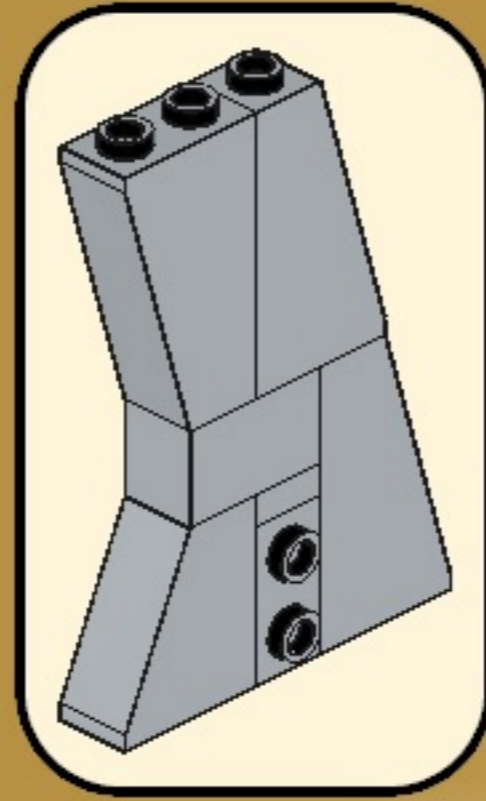
68



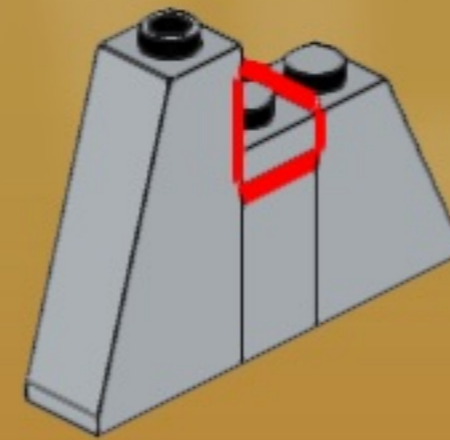
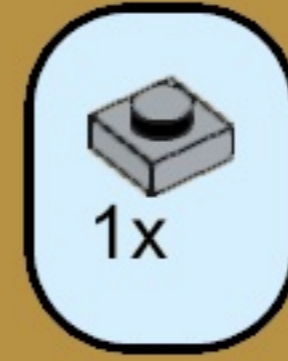
69



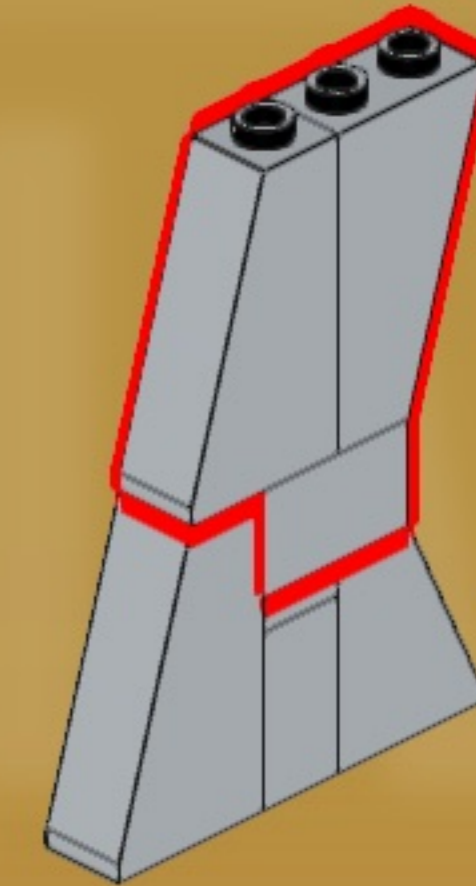
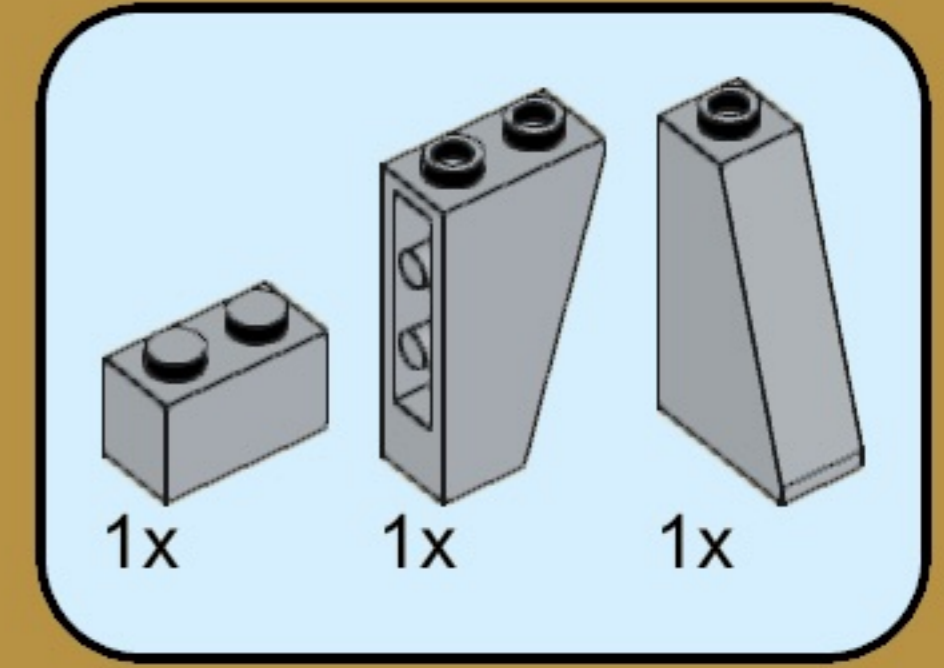
70



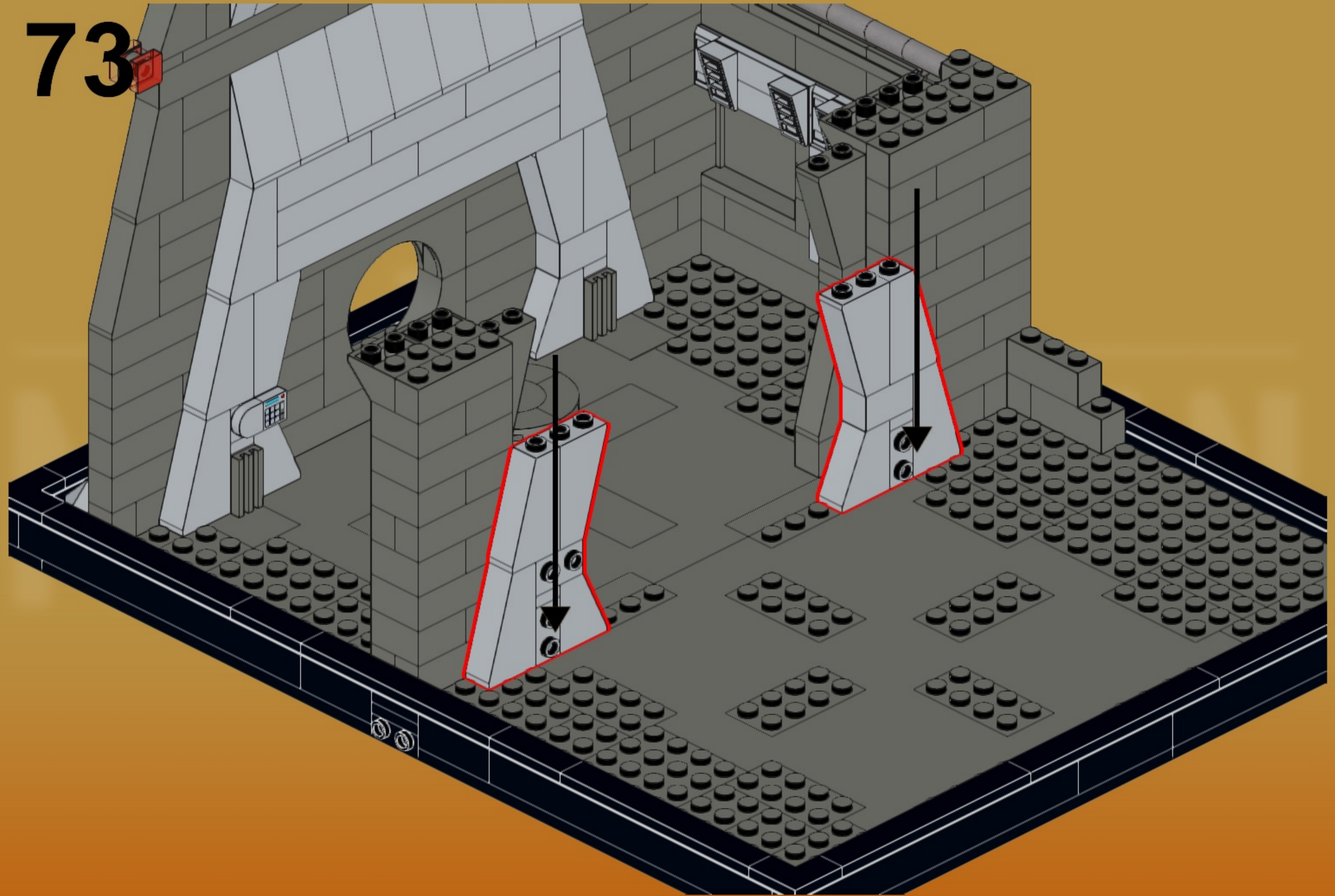
71



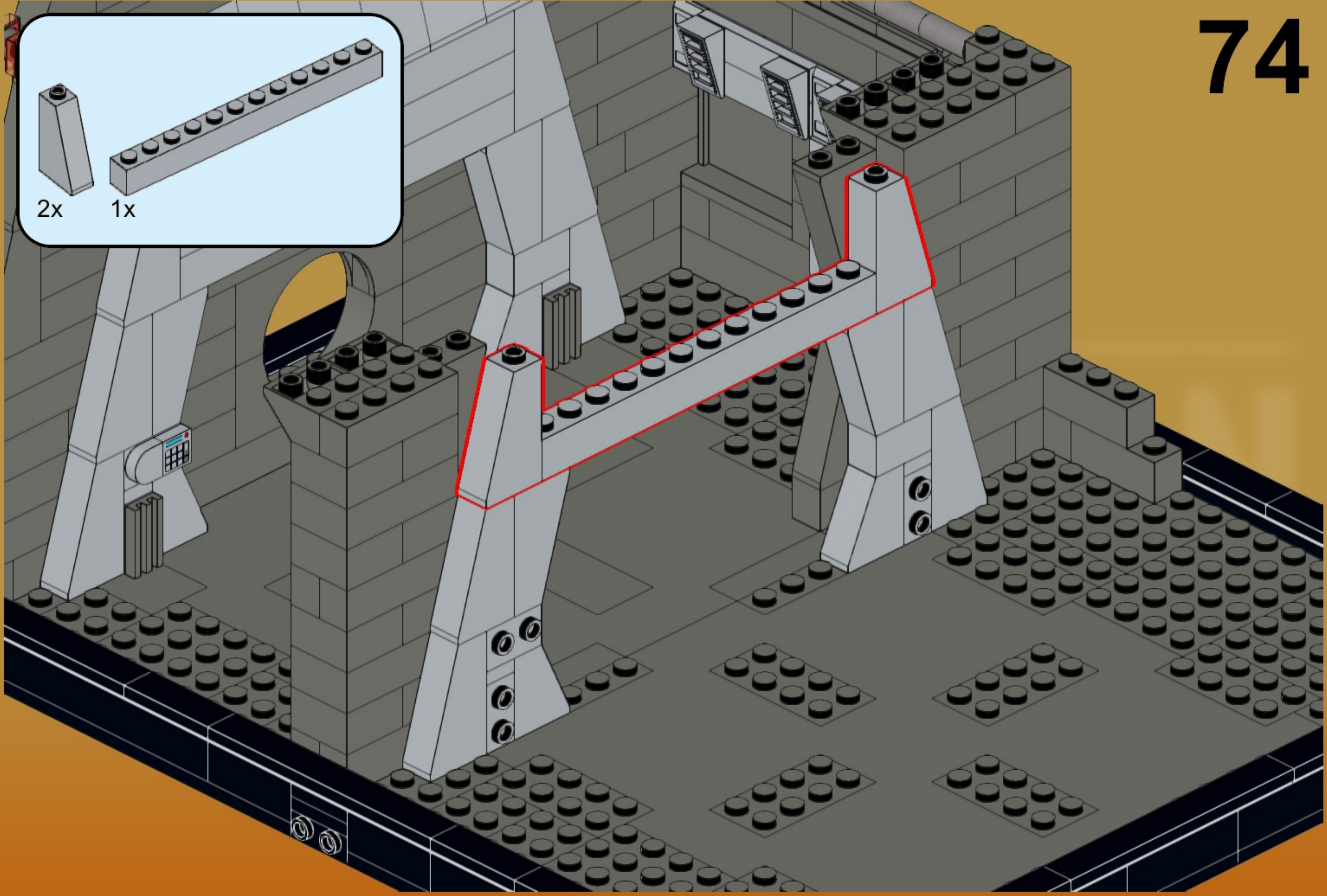
72



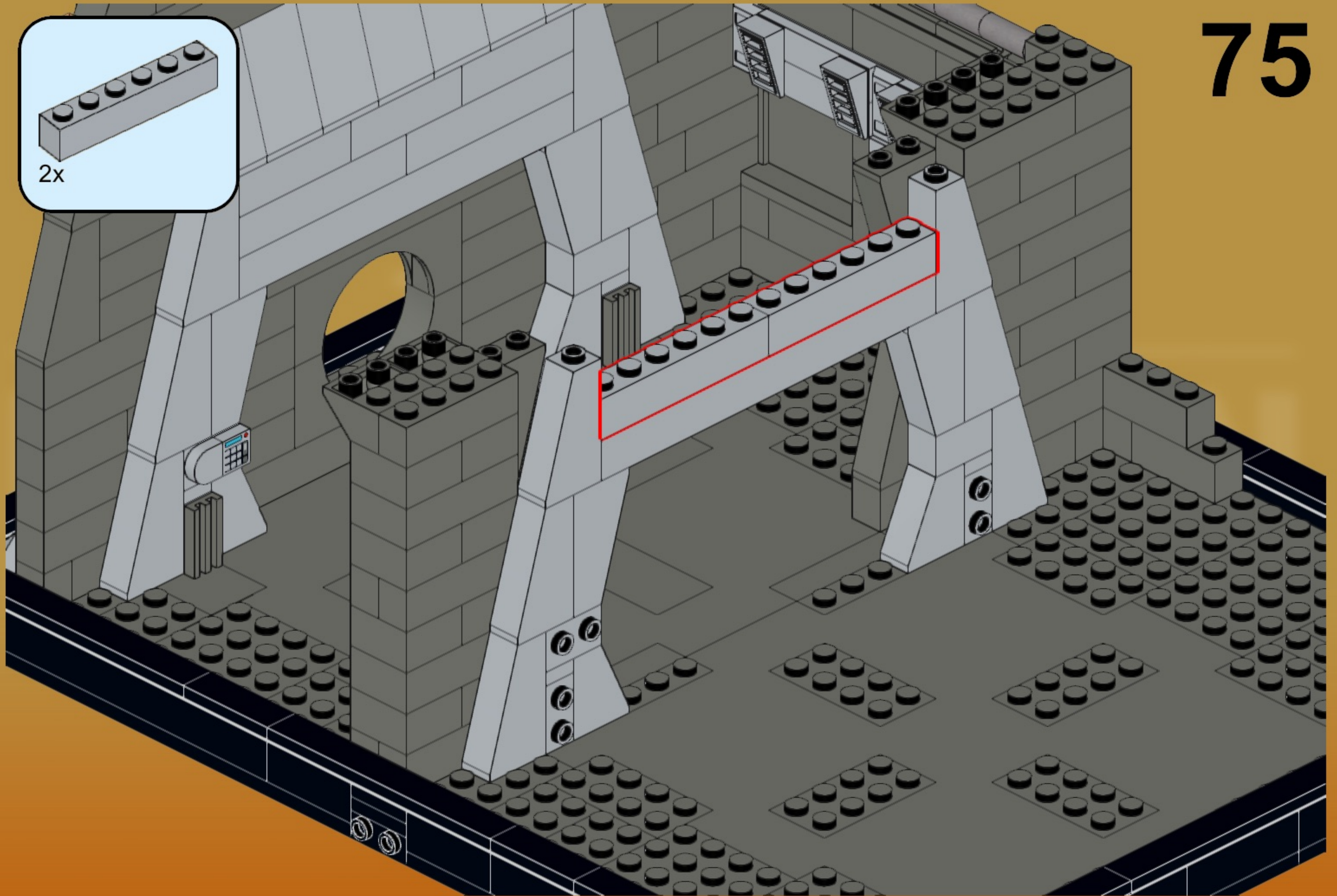
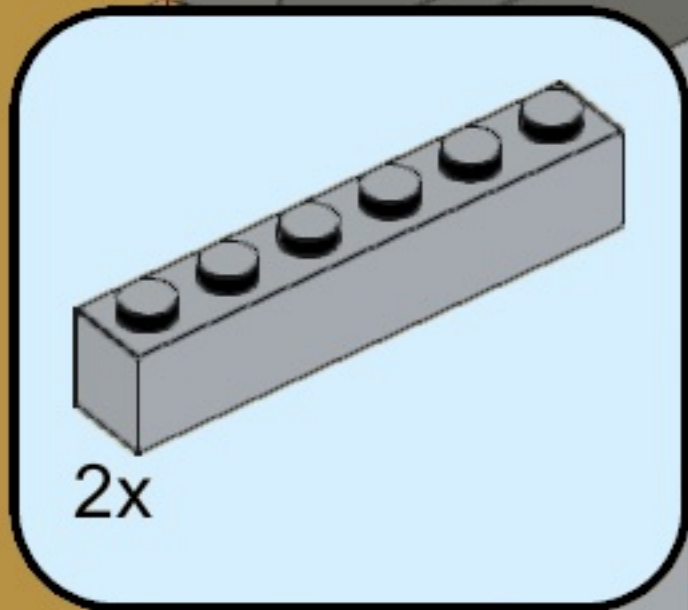
73

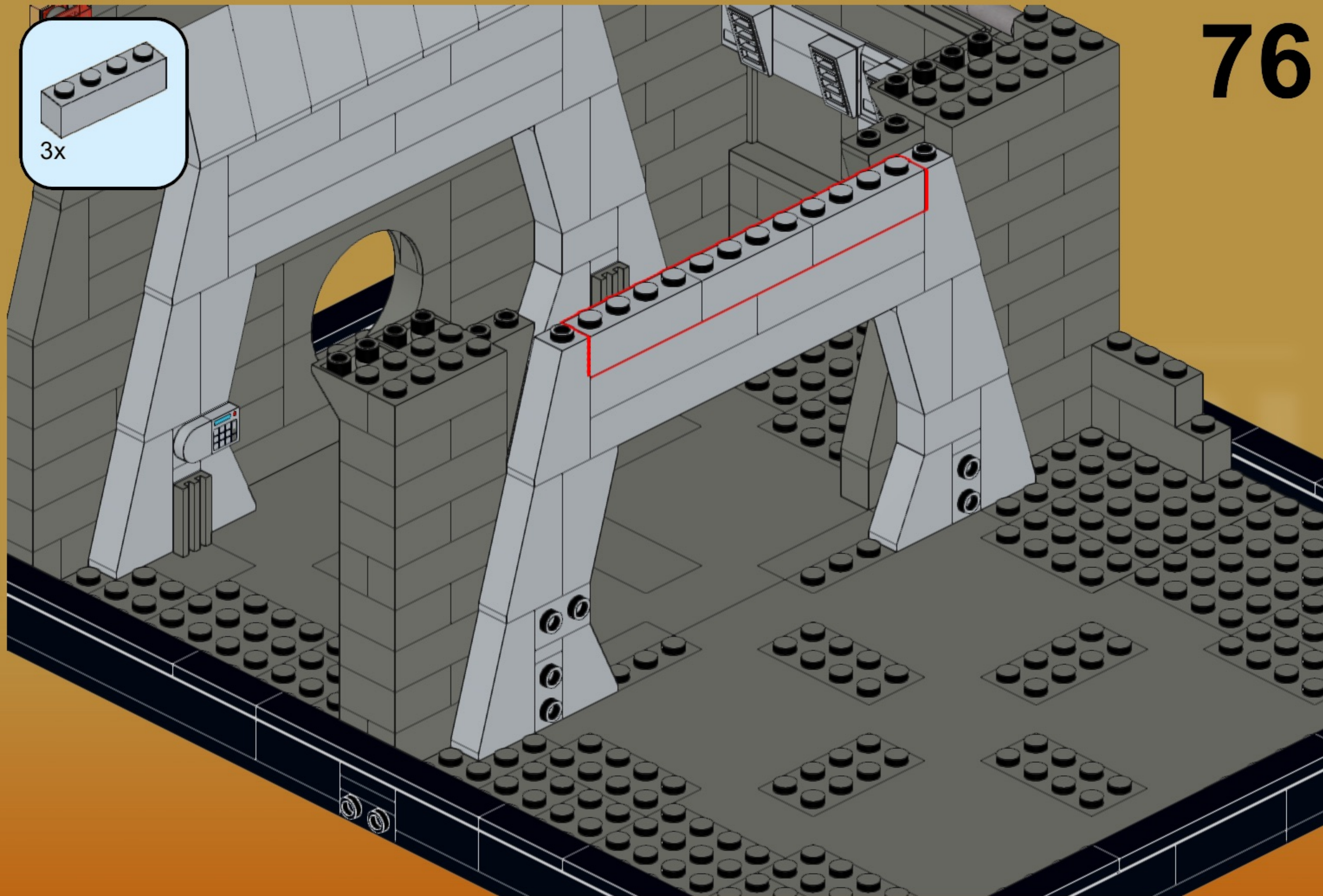


2x 1x

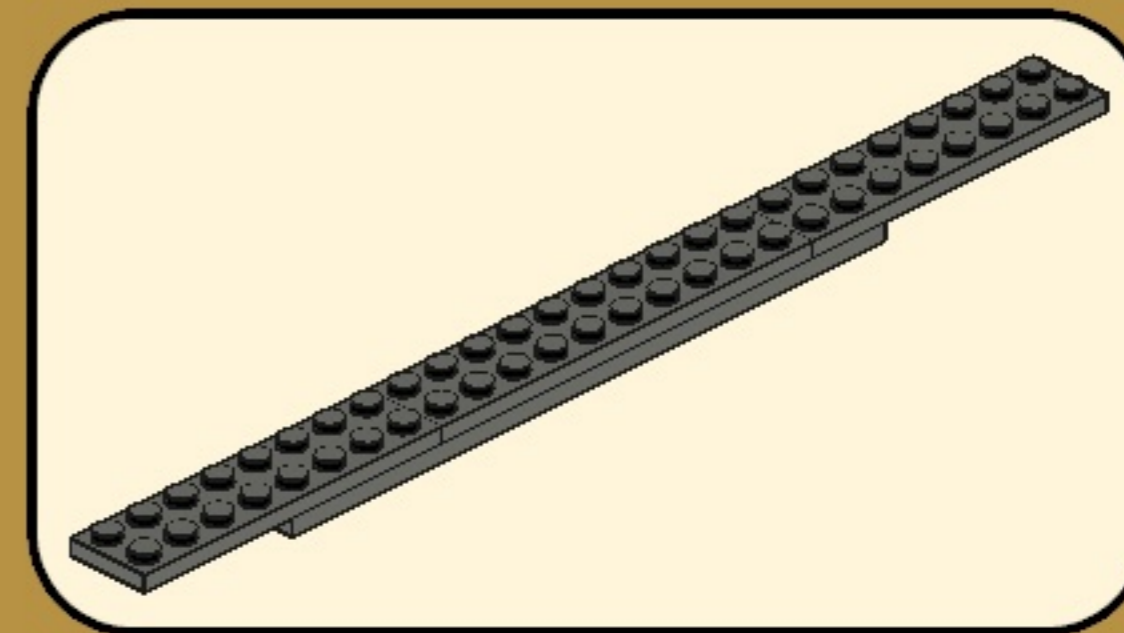
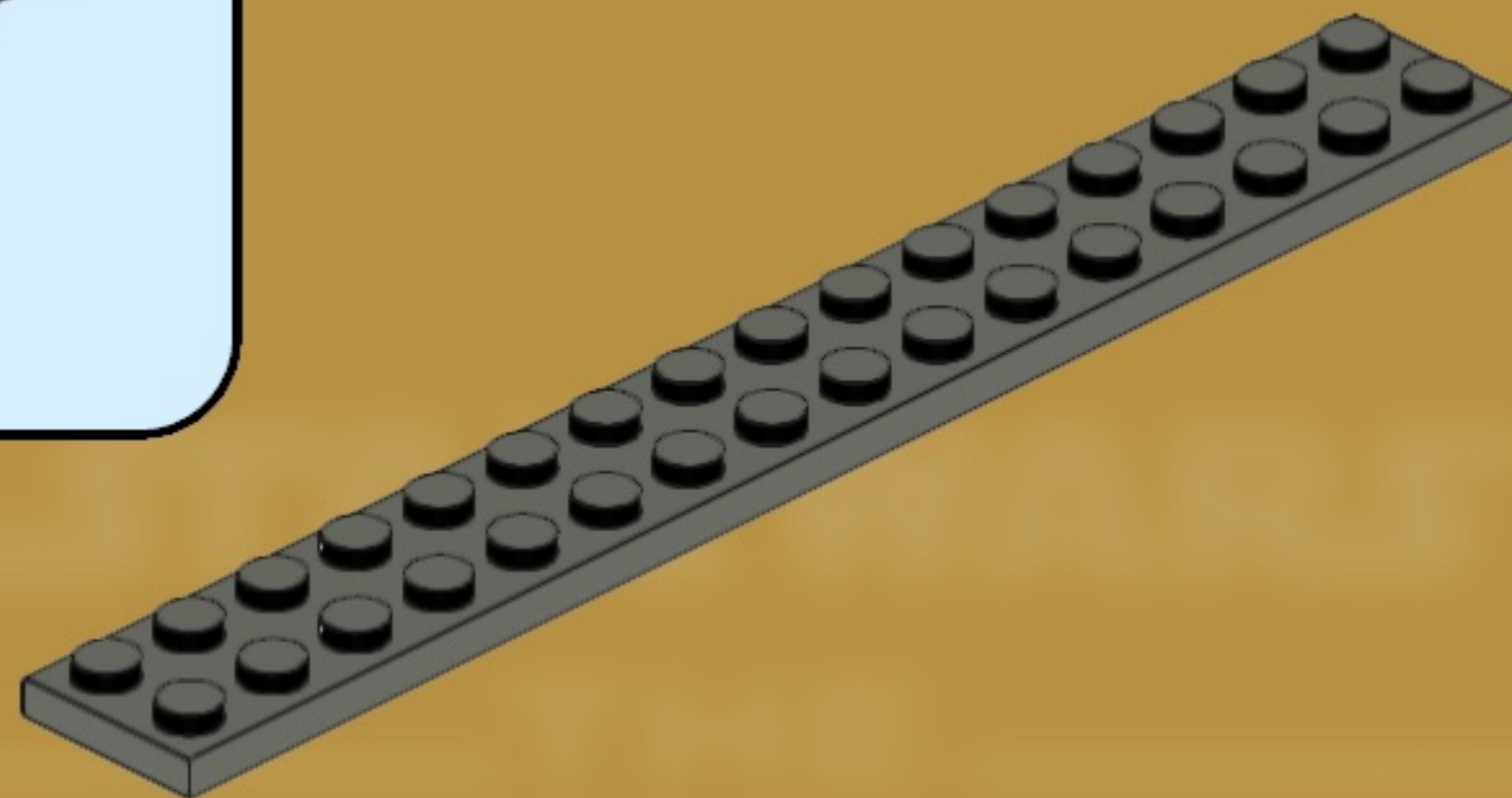
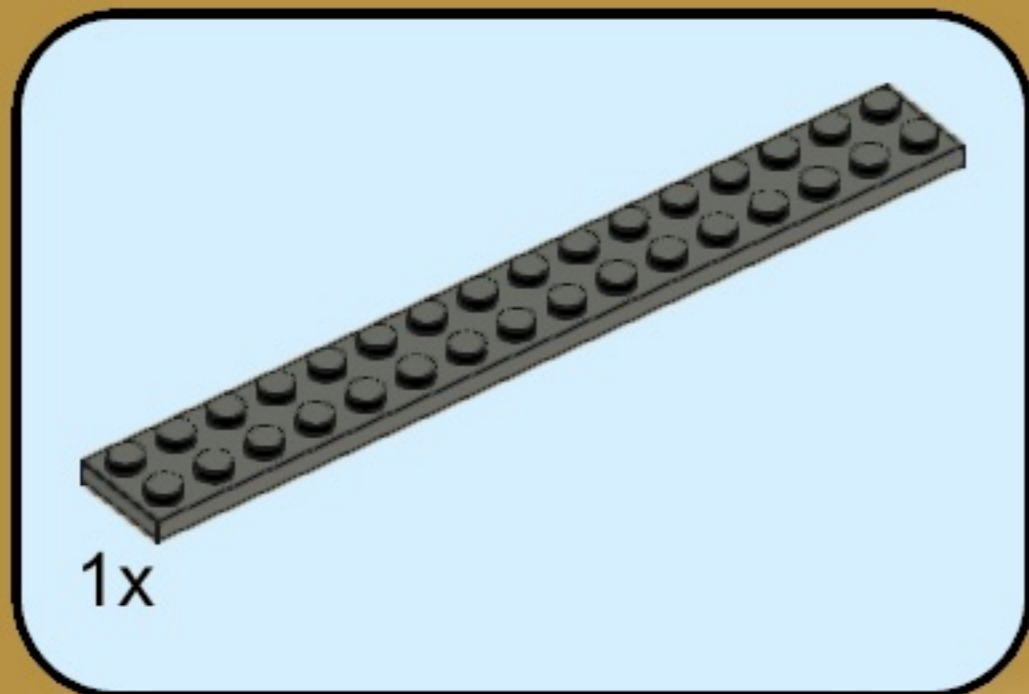


75

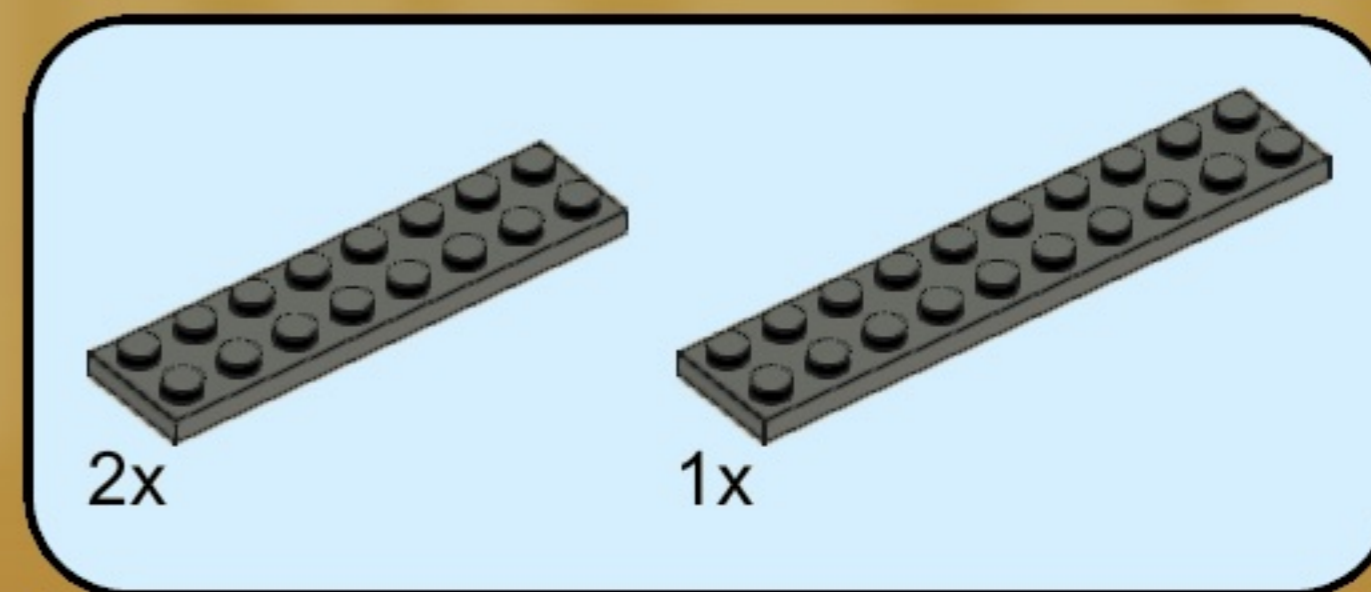
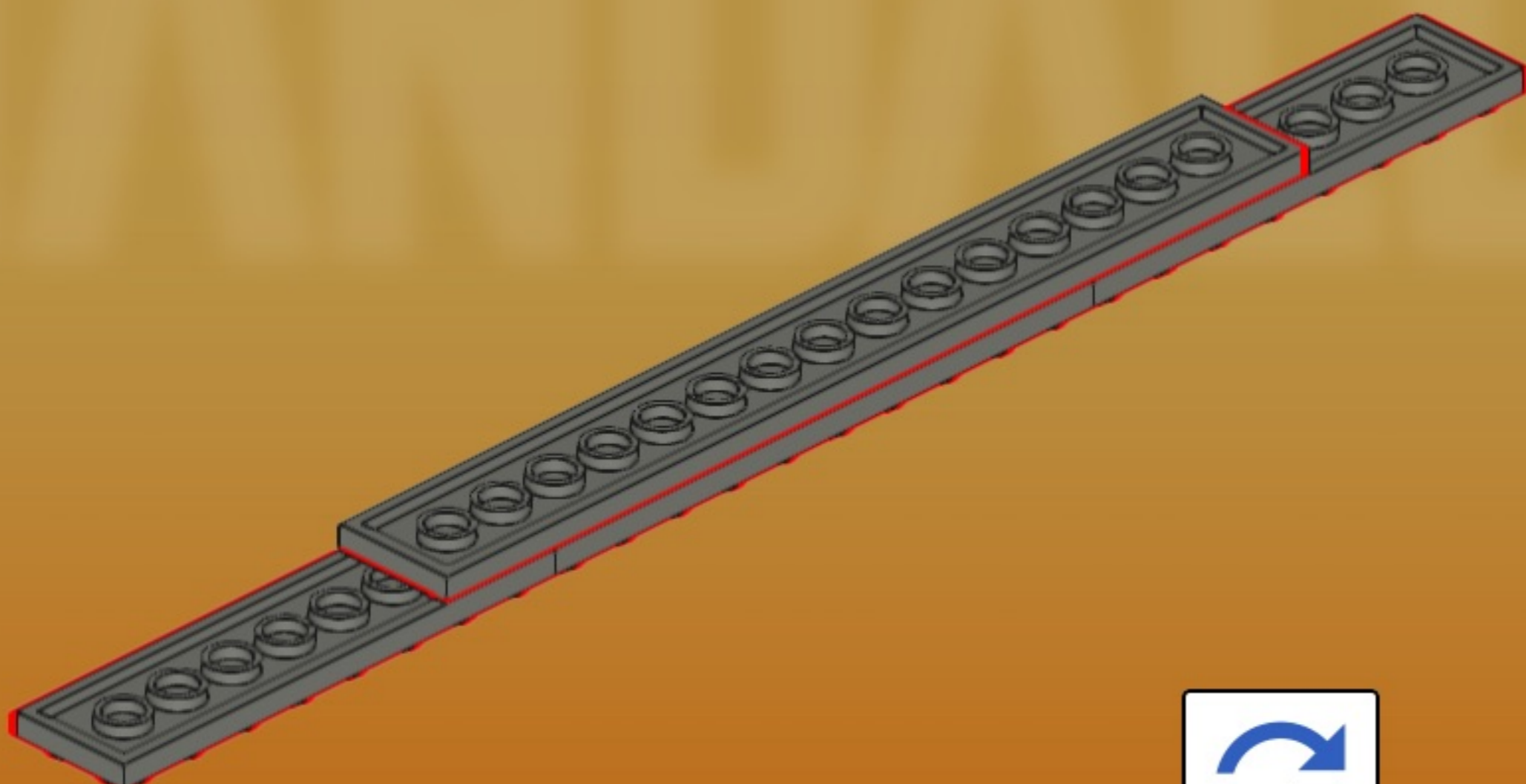




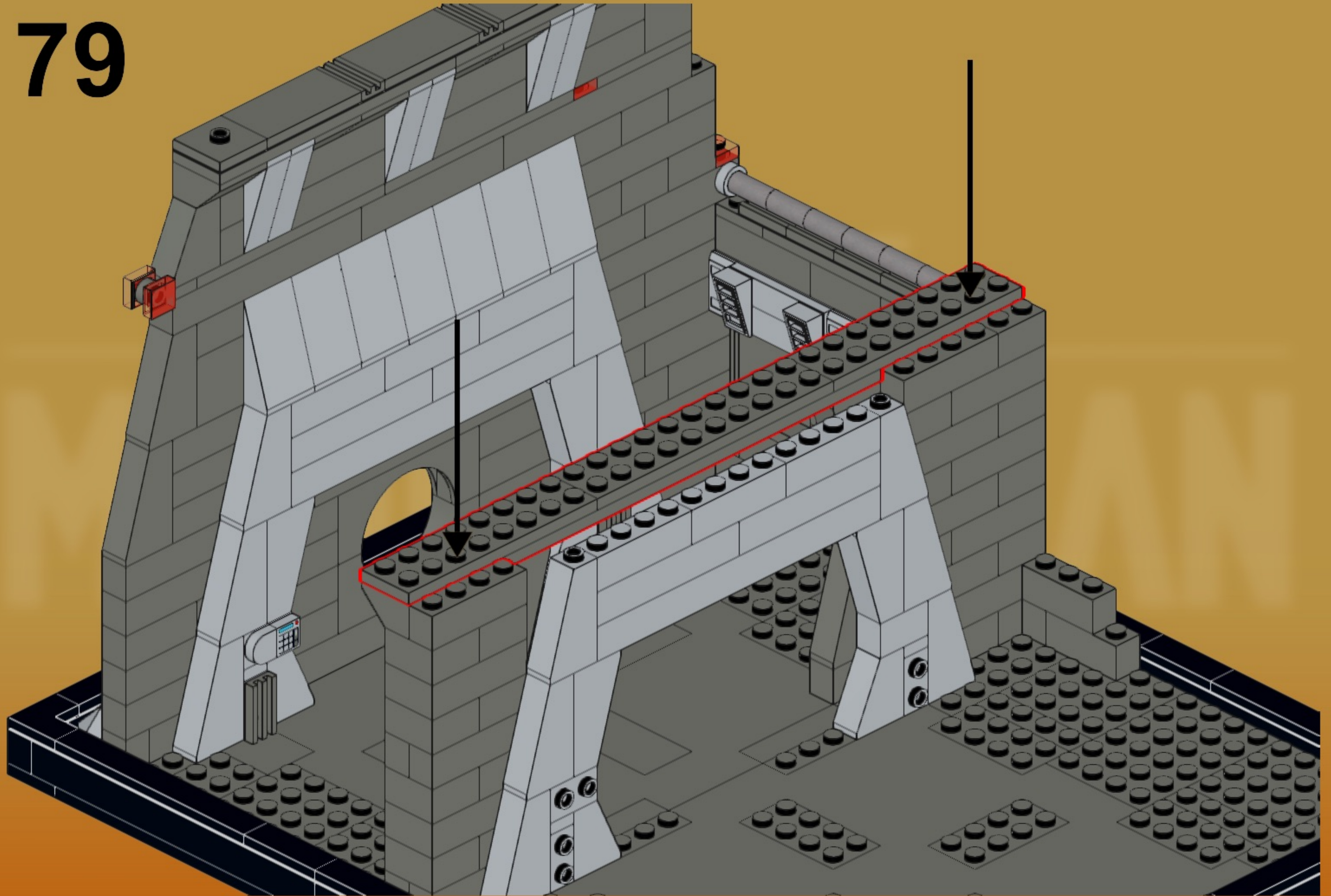
77



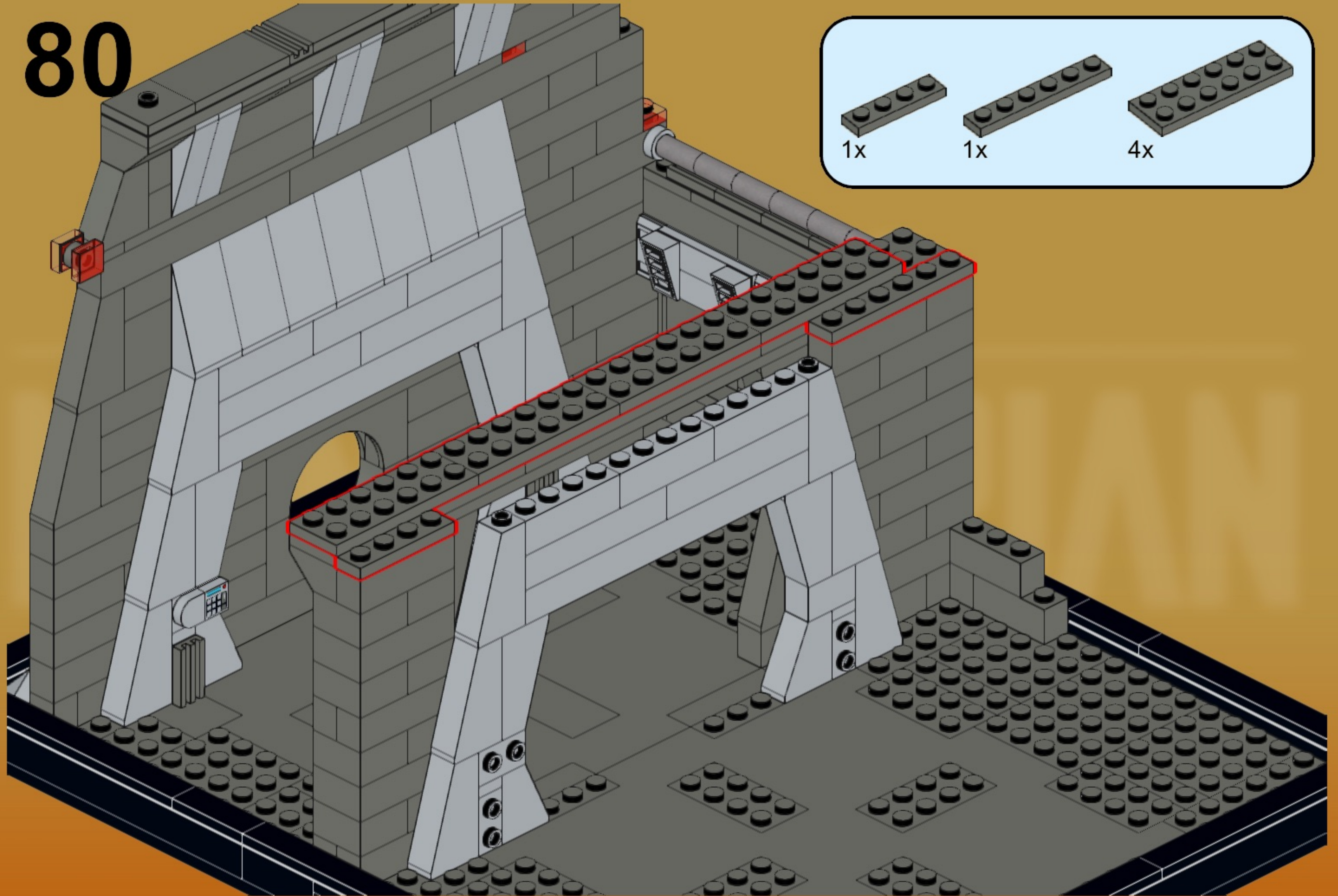
78



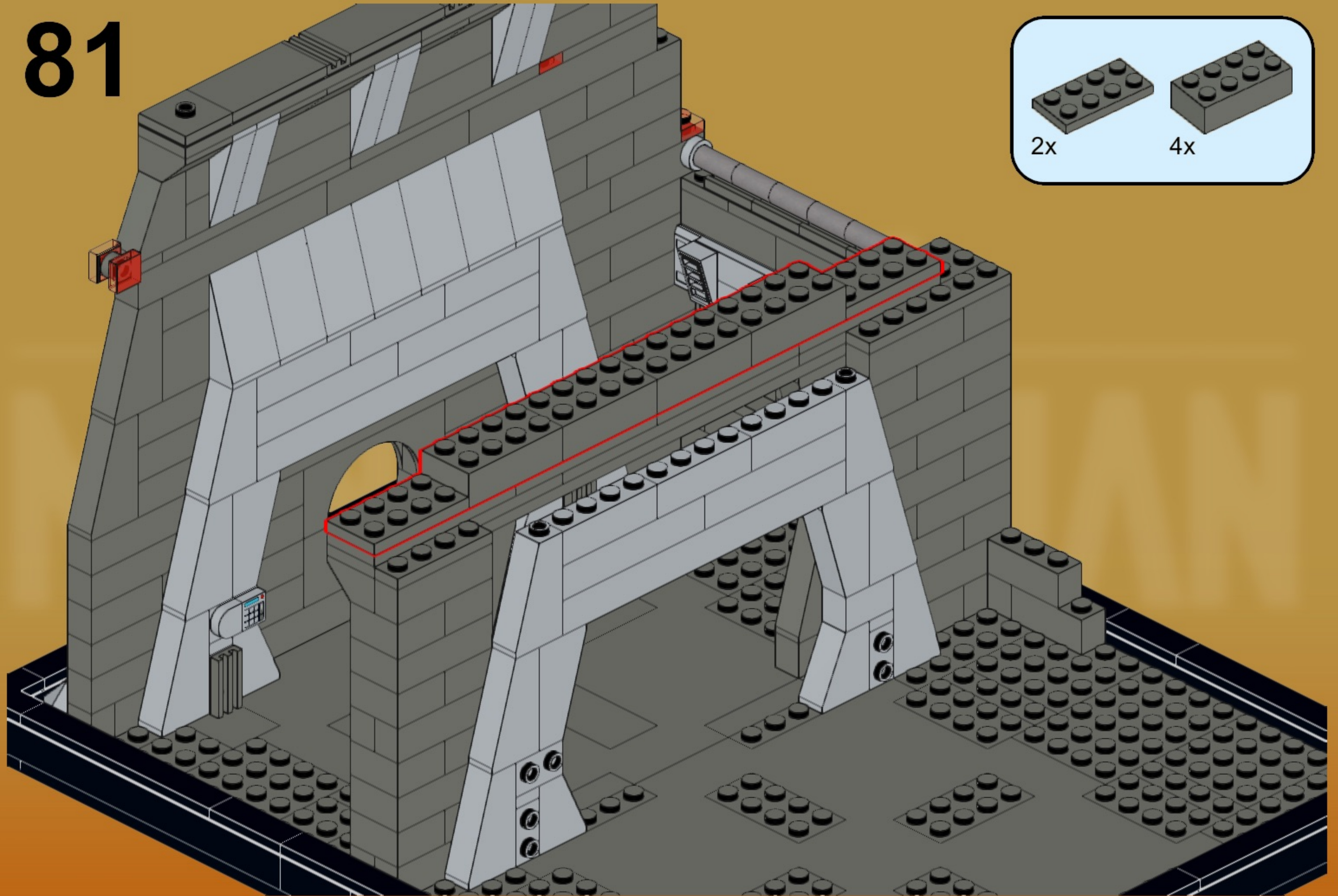
79



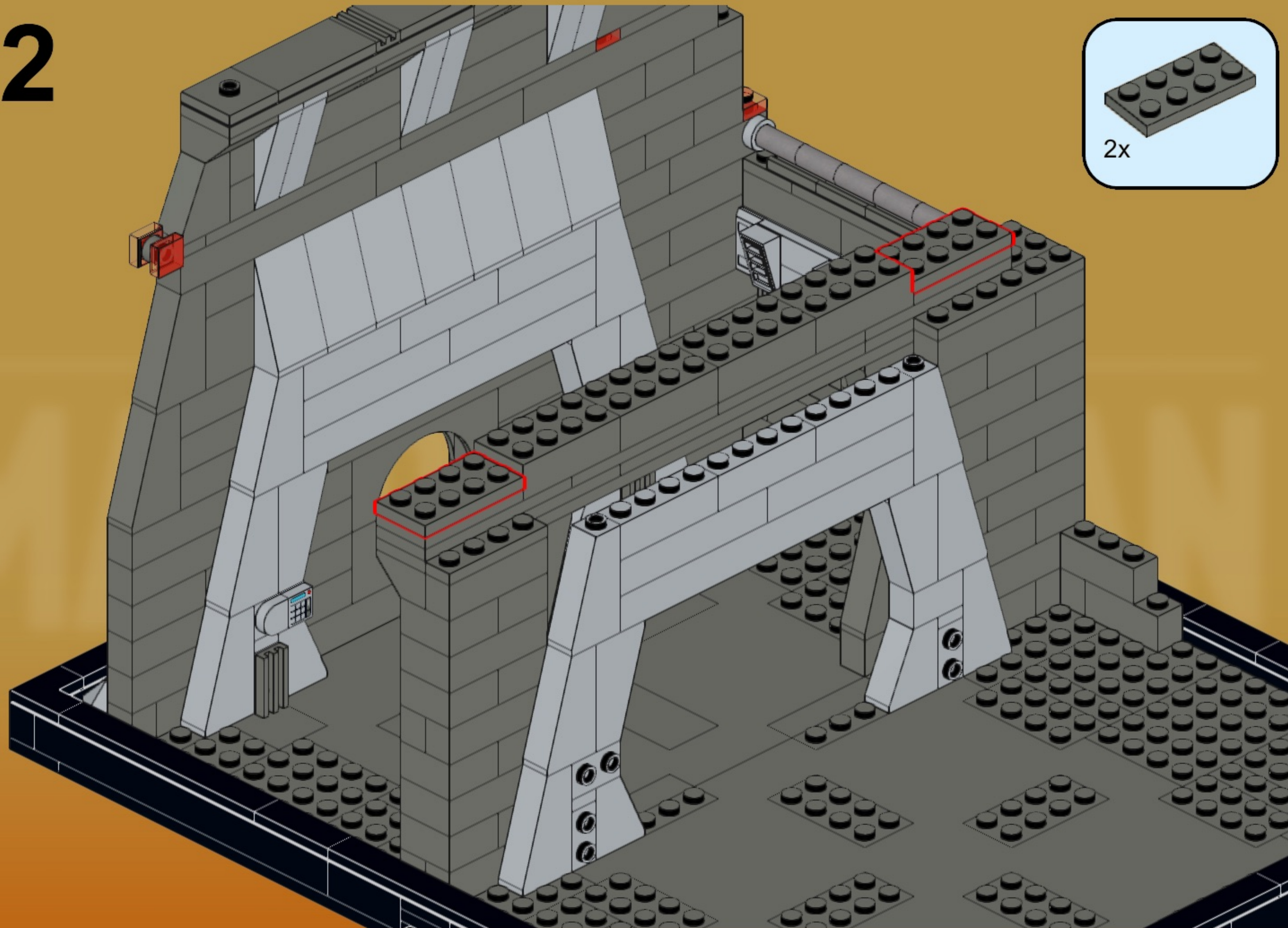
80



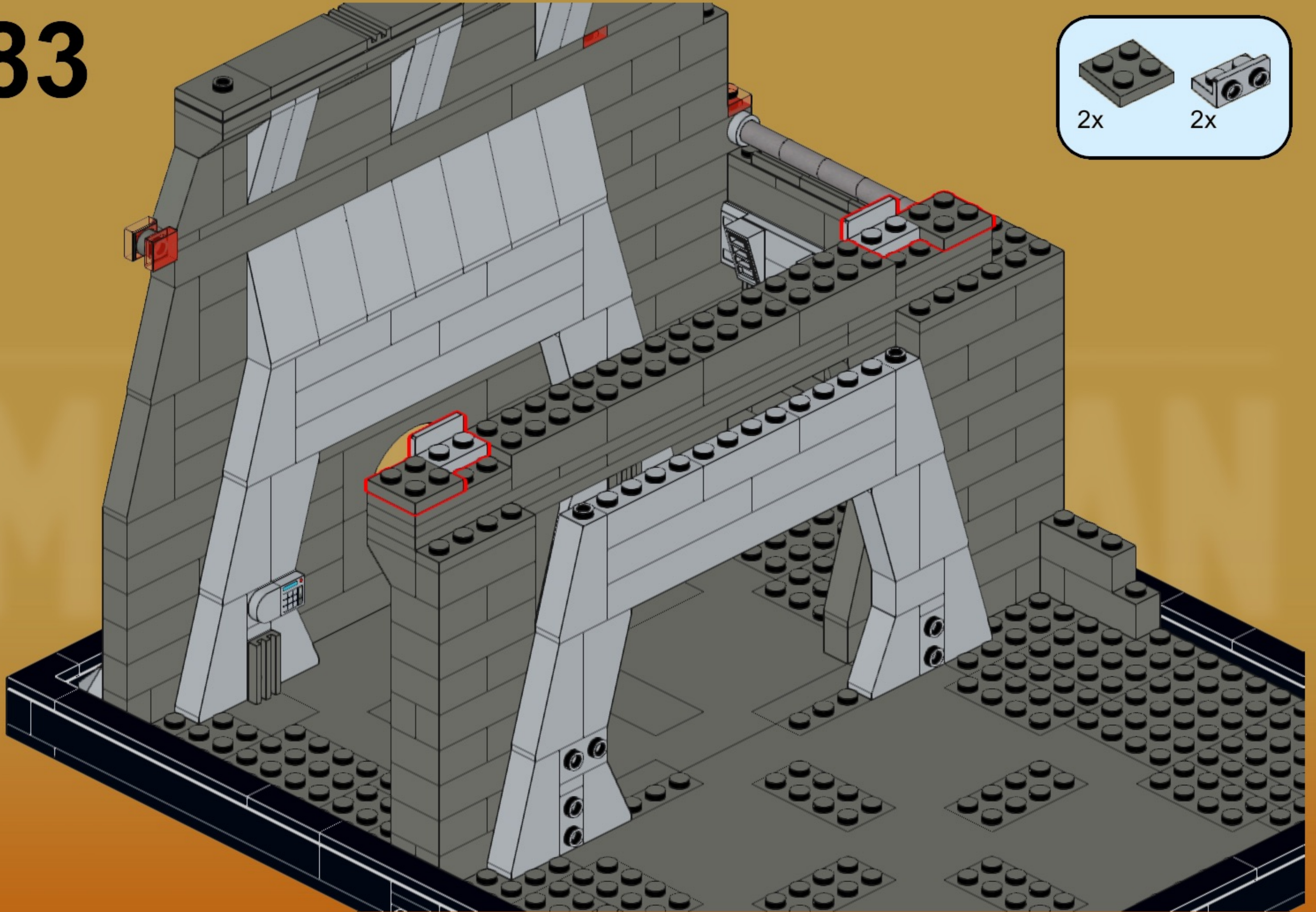
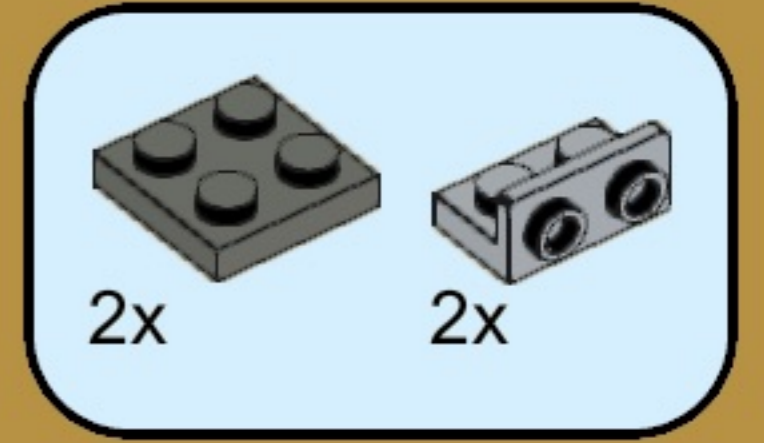
81



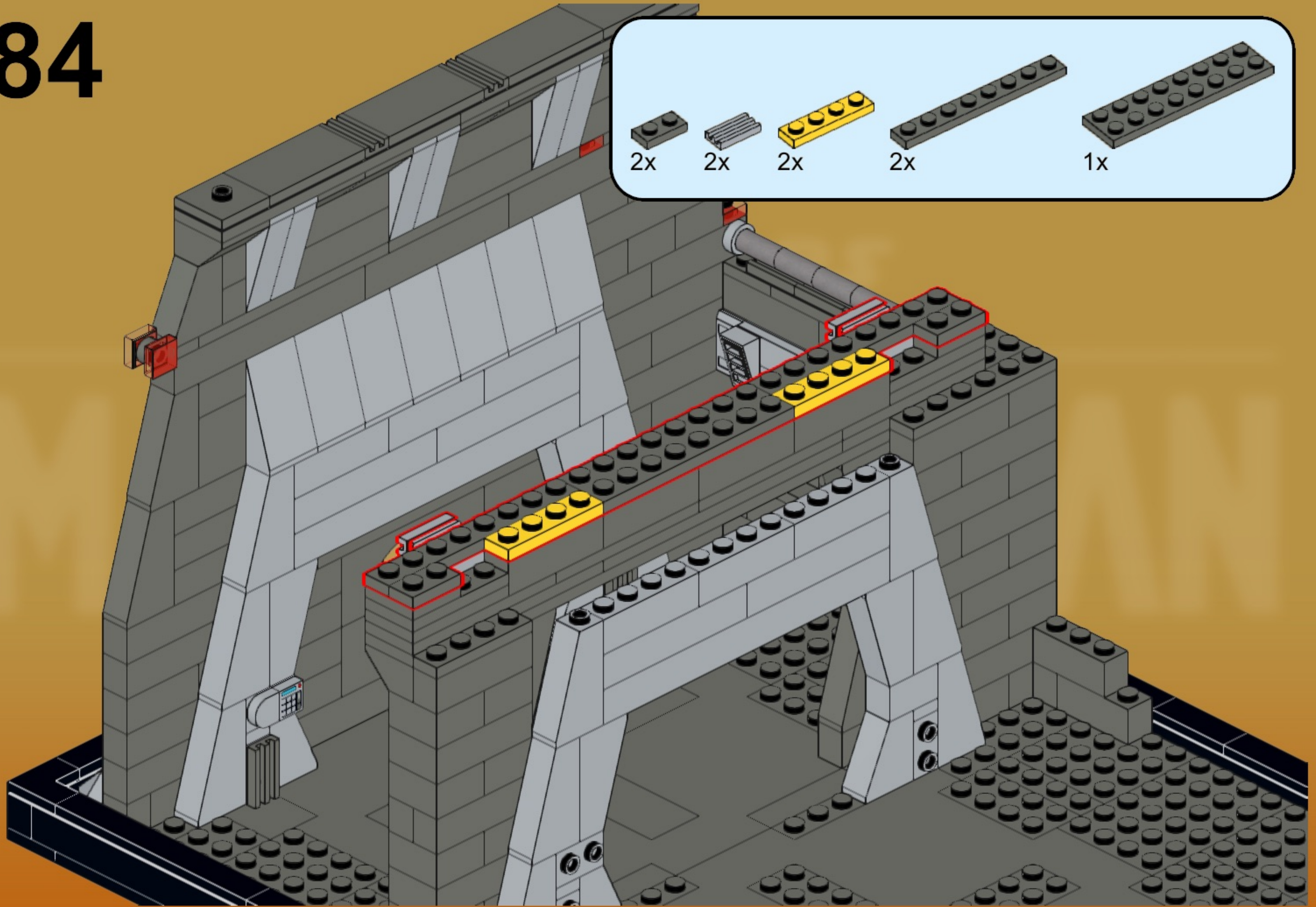
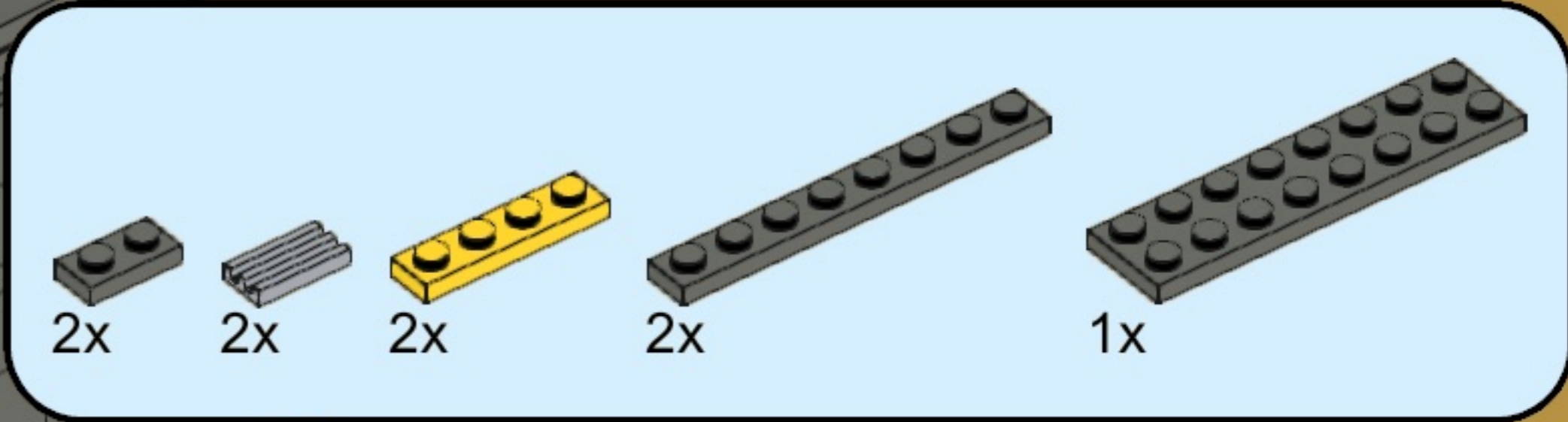
82



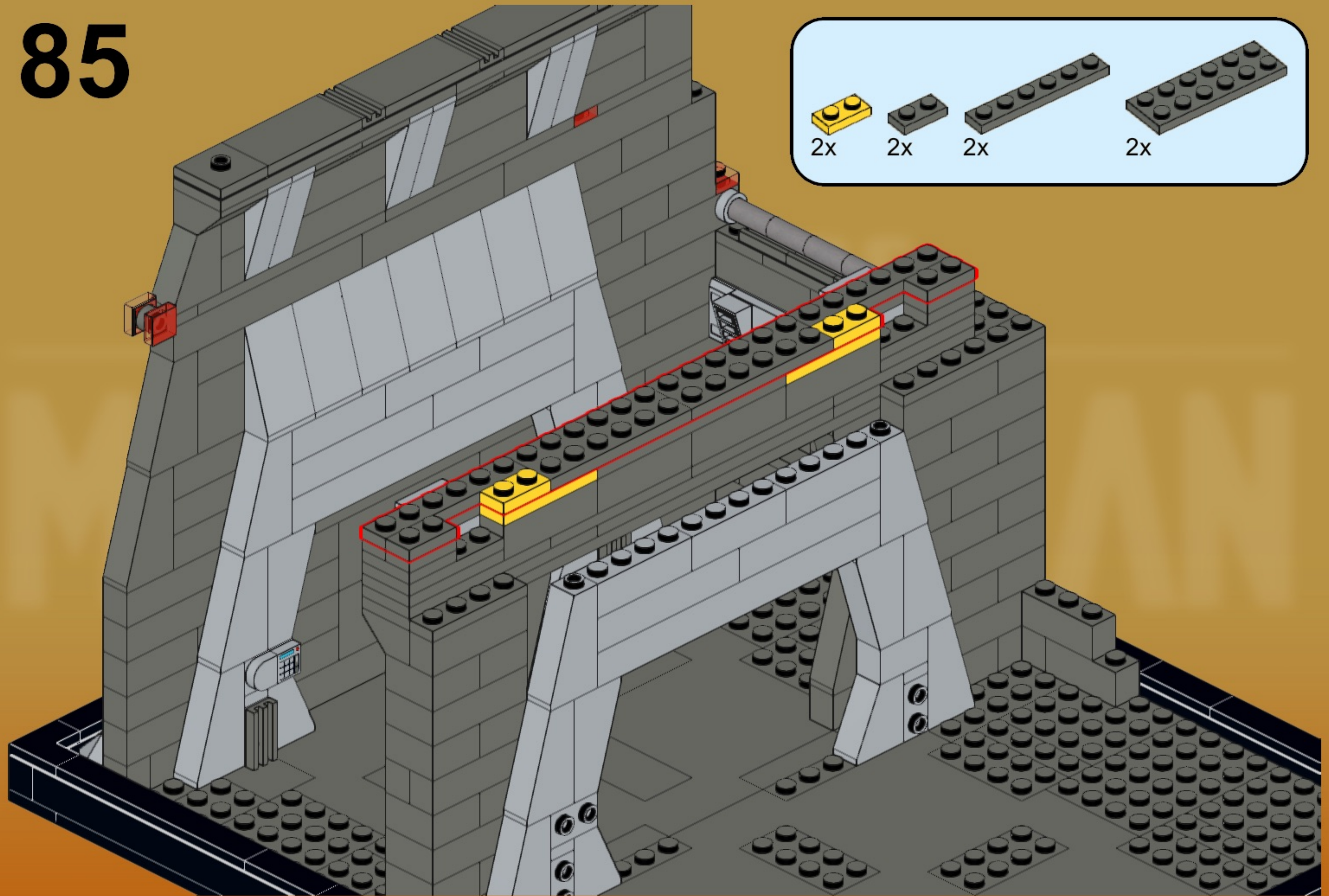
83



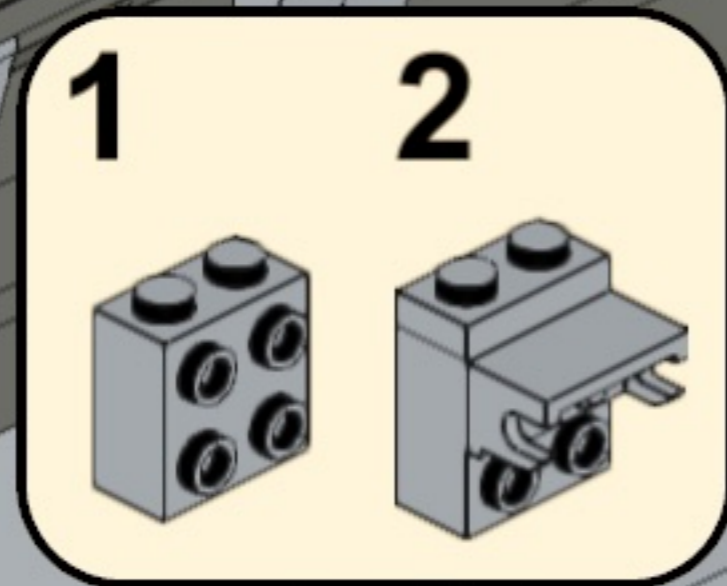
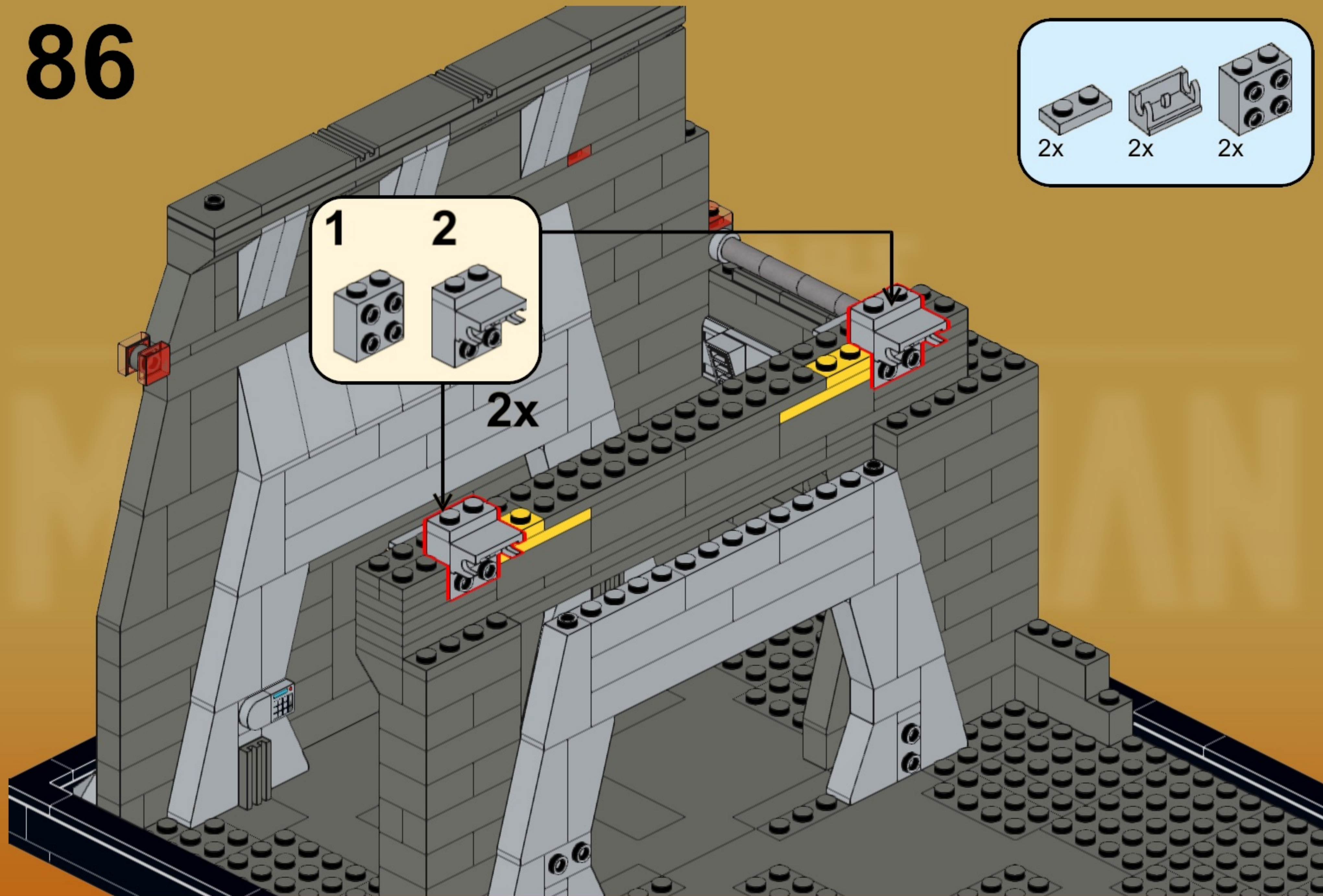
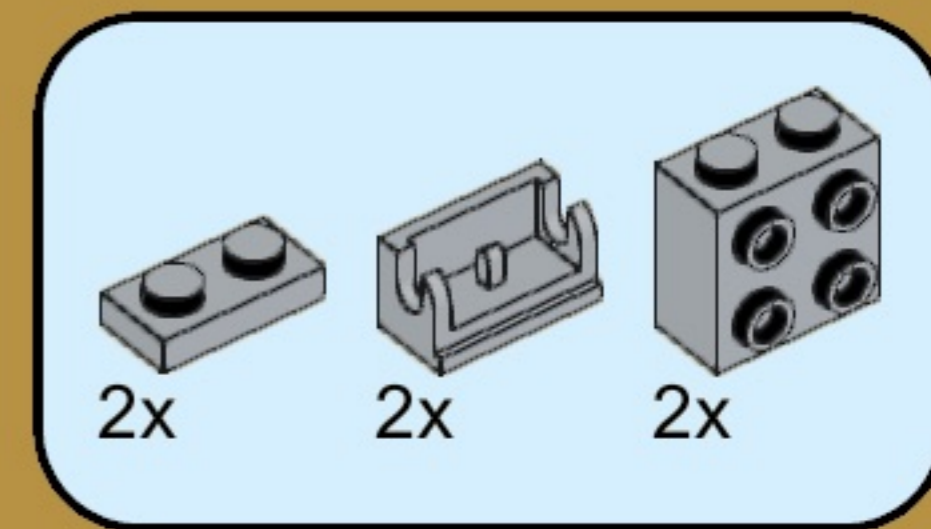
84



85

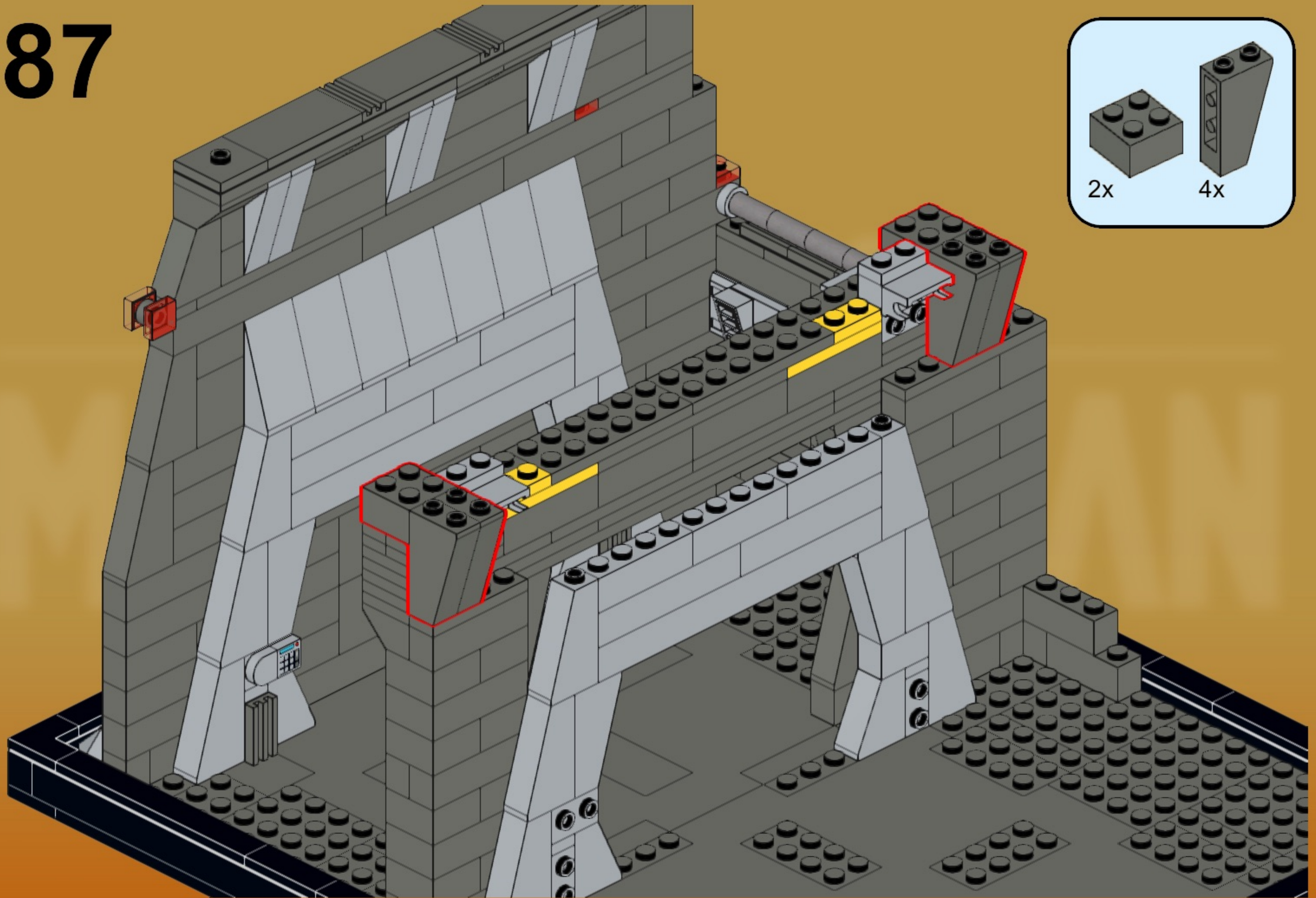


86

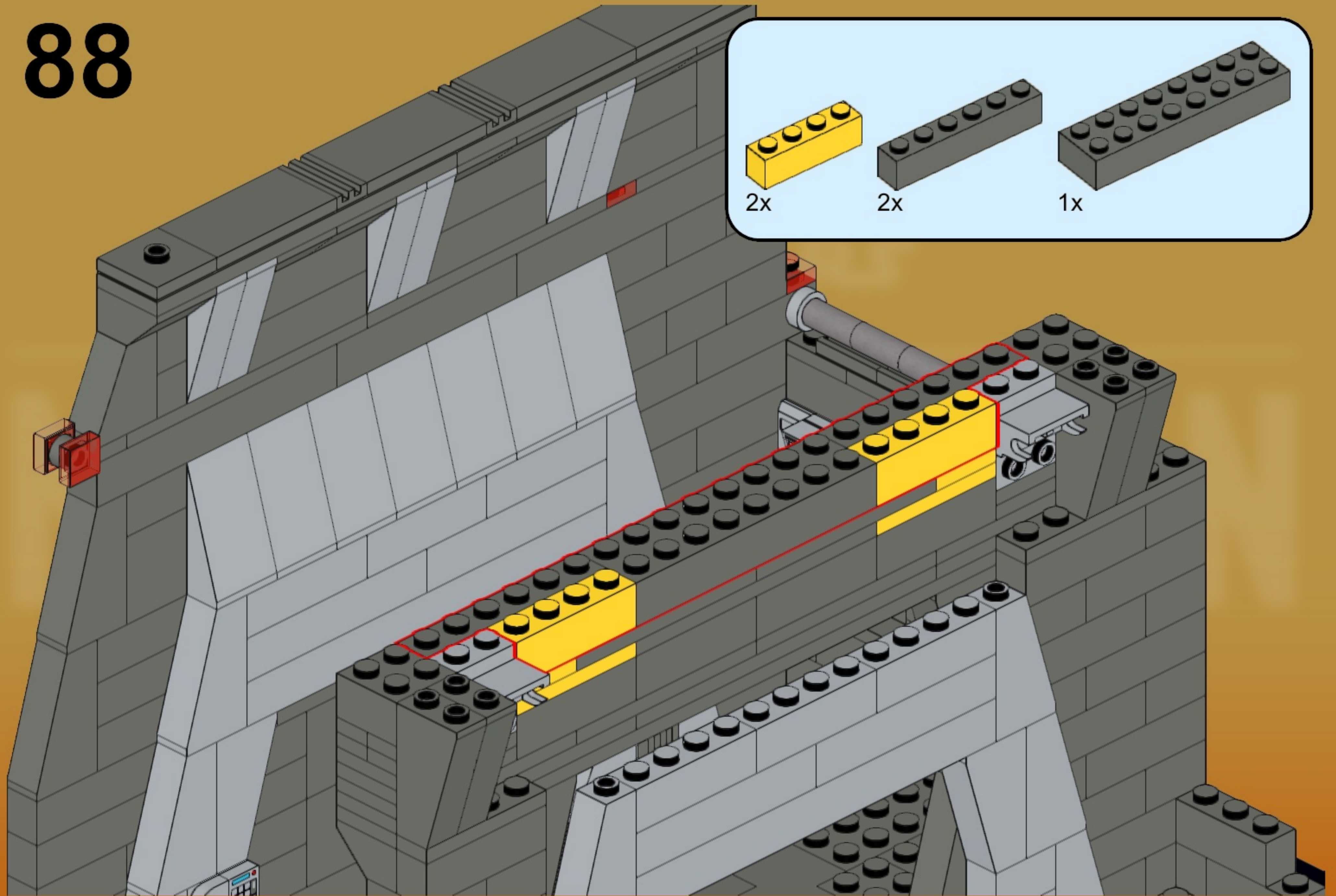


2x

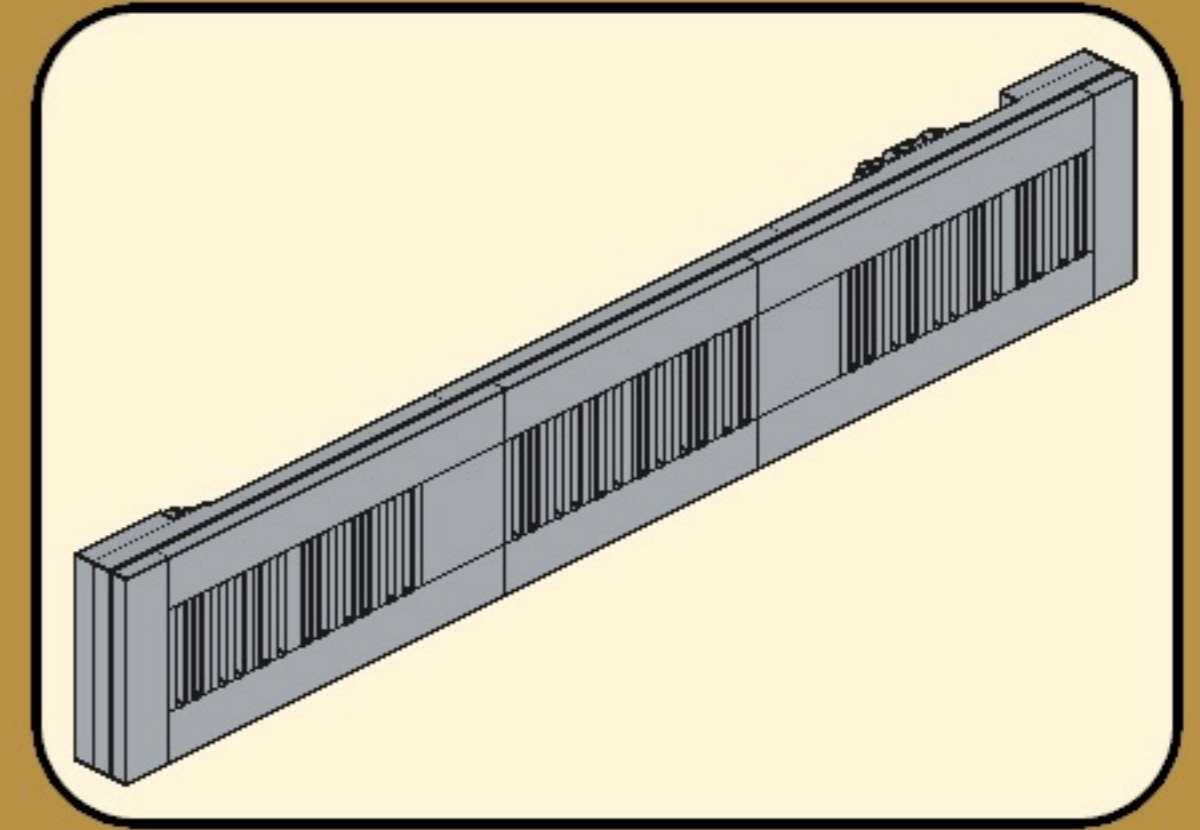
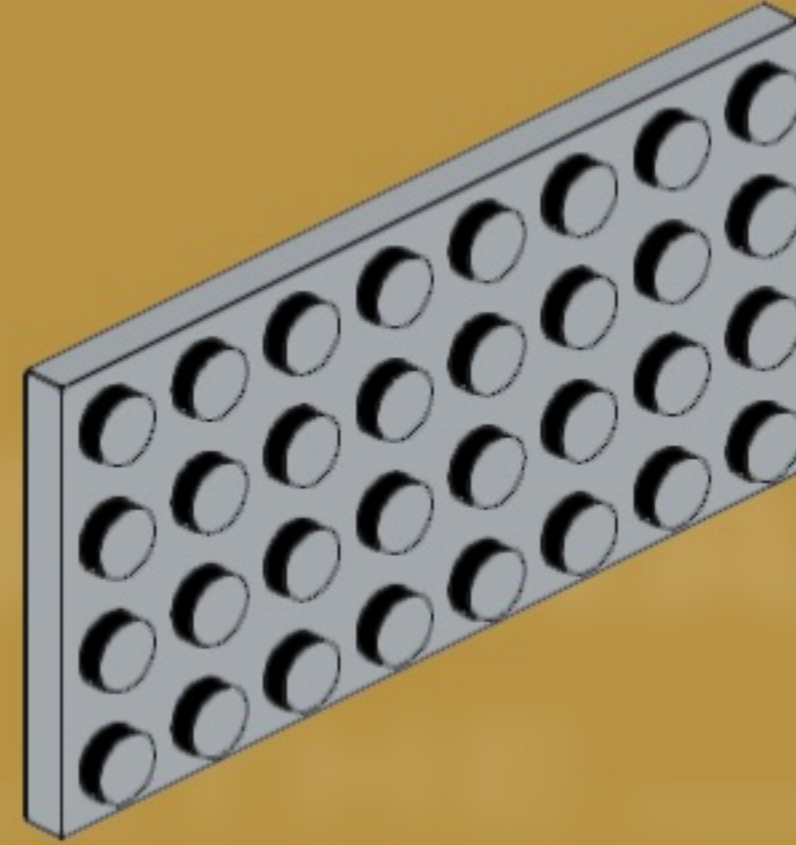
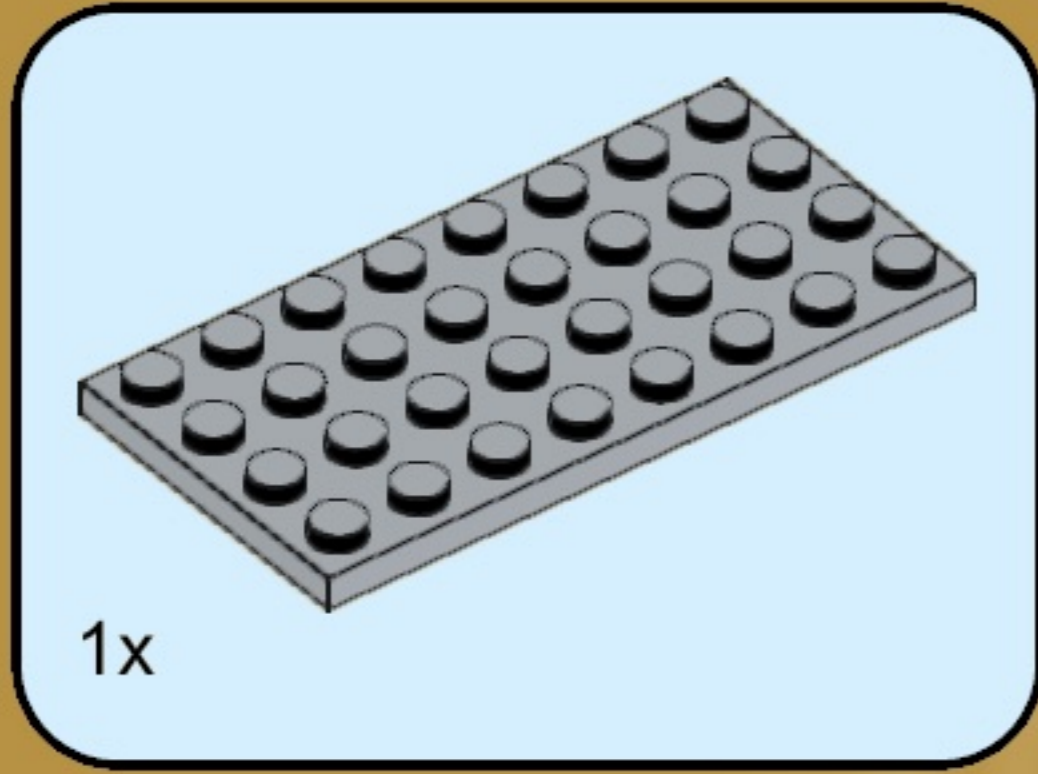
87



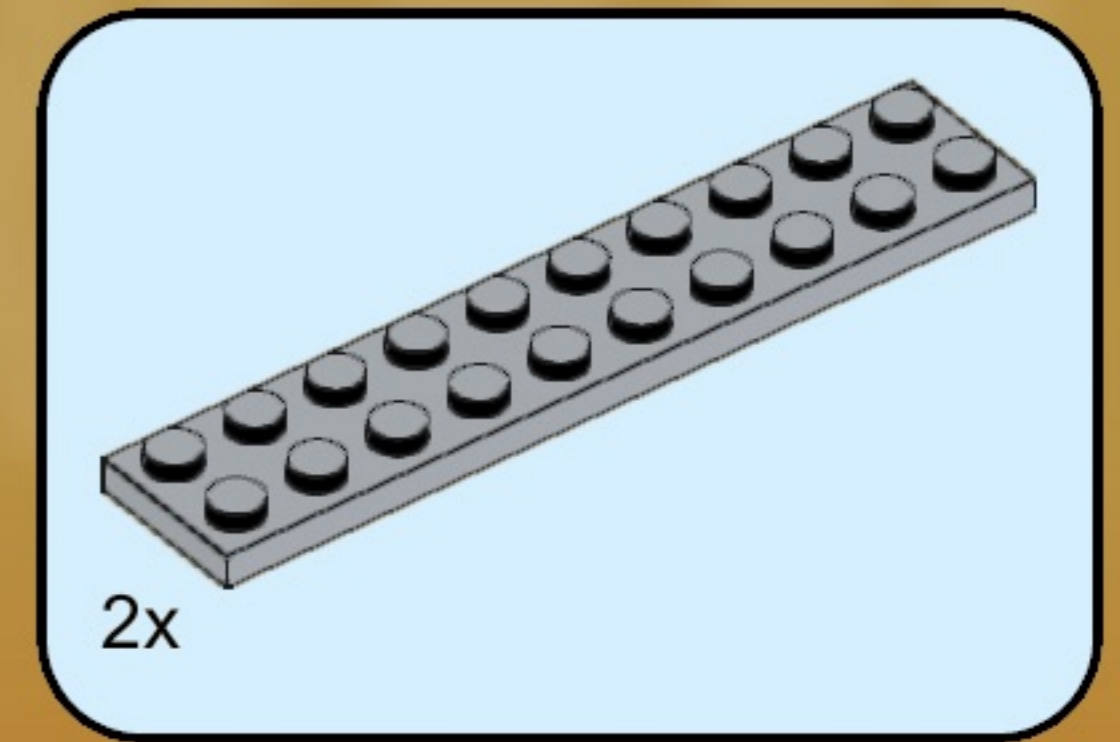
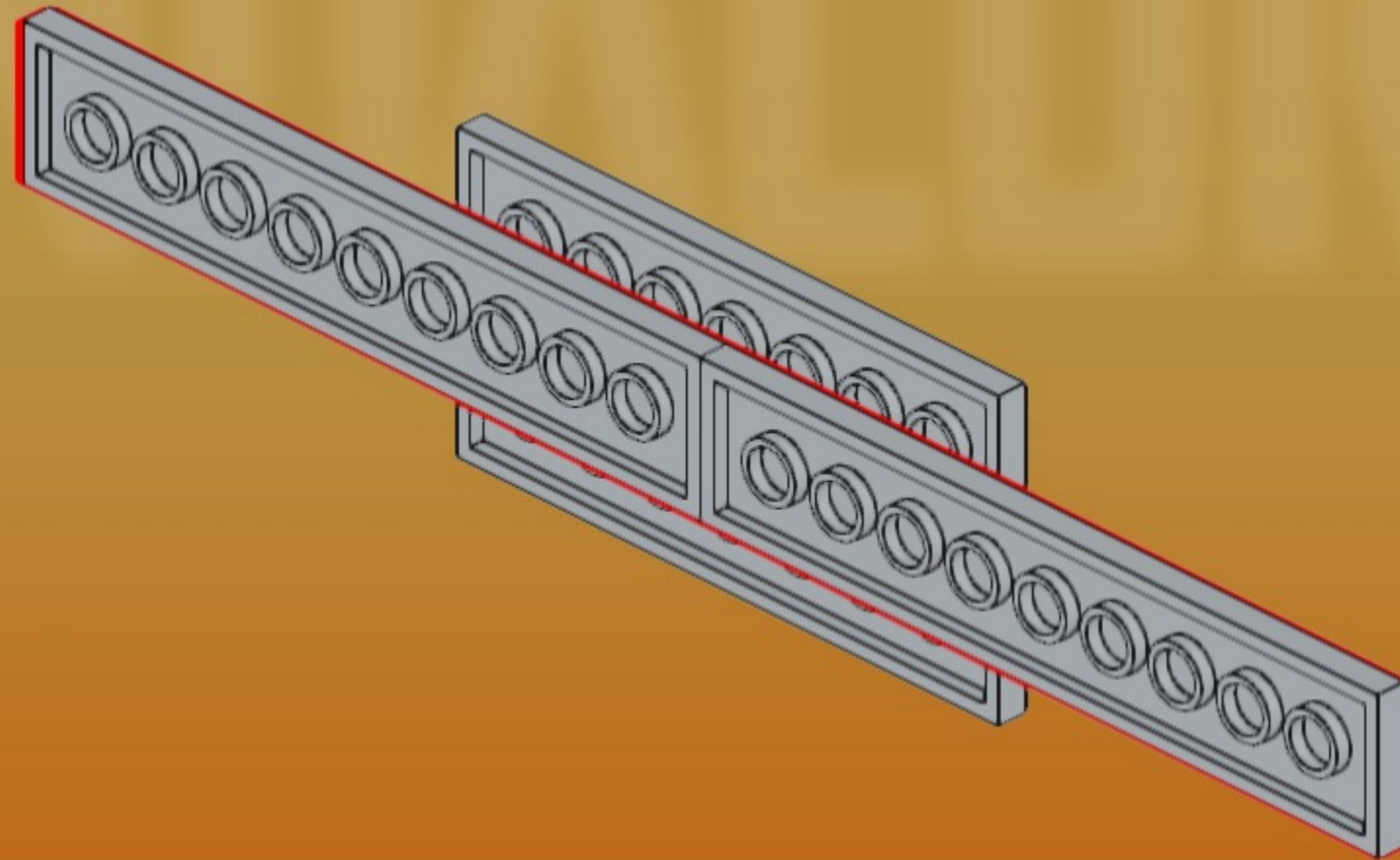
88



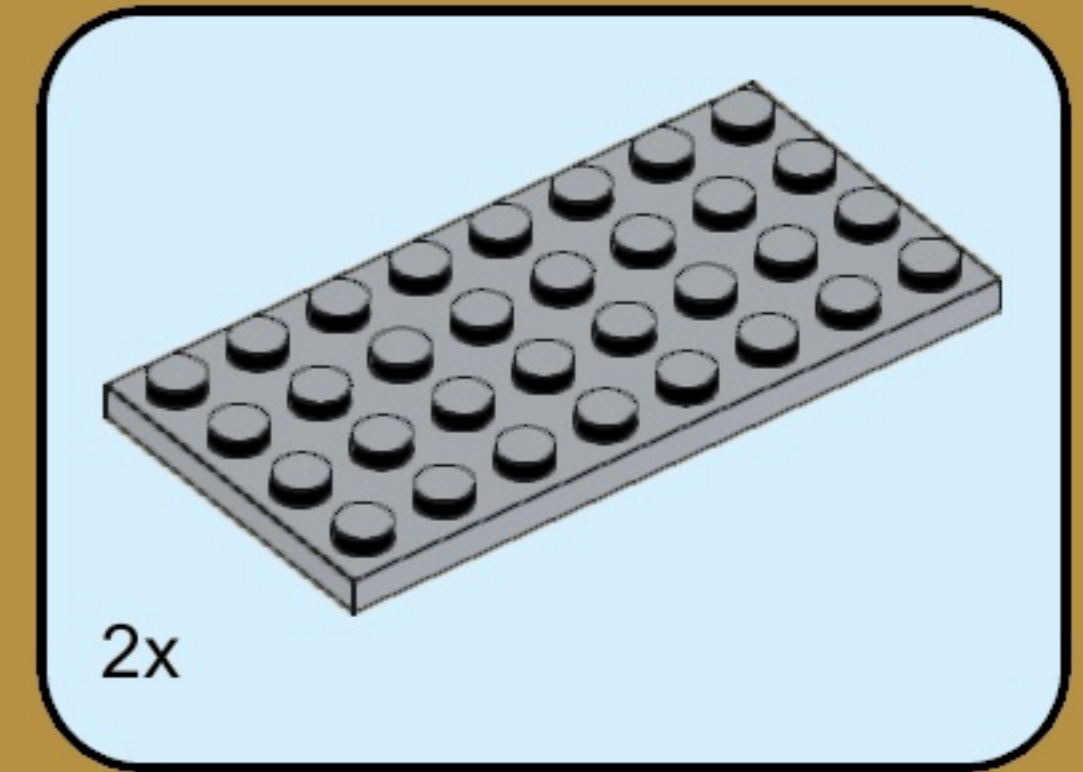
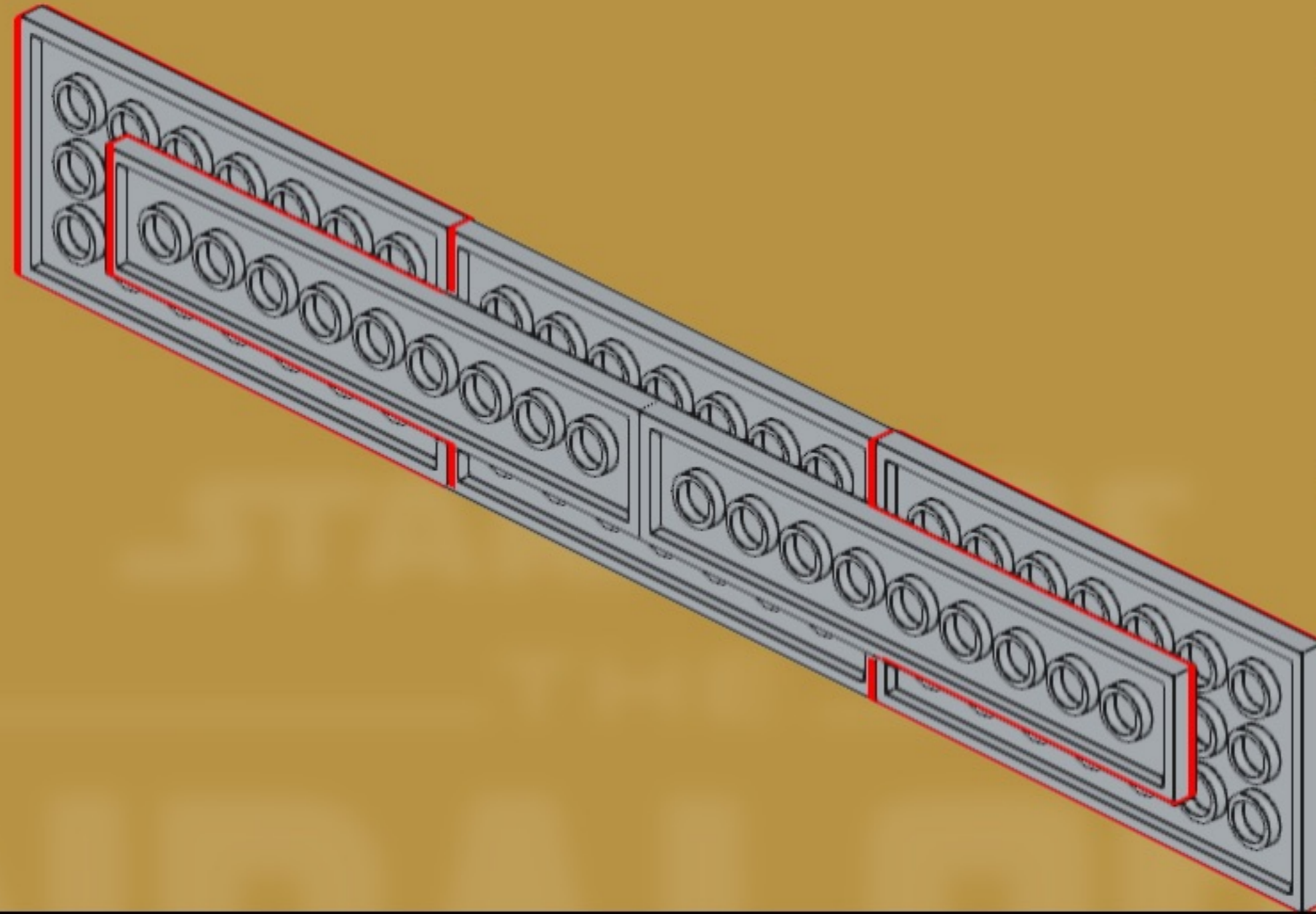
89



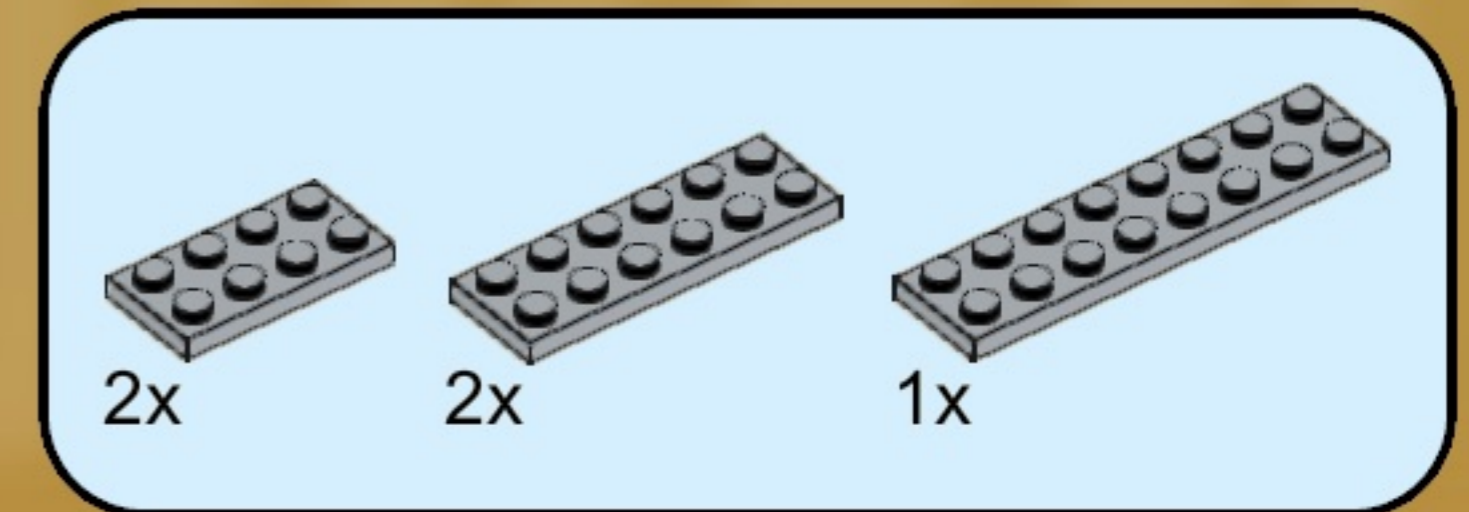
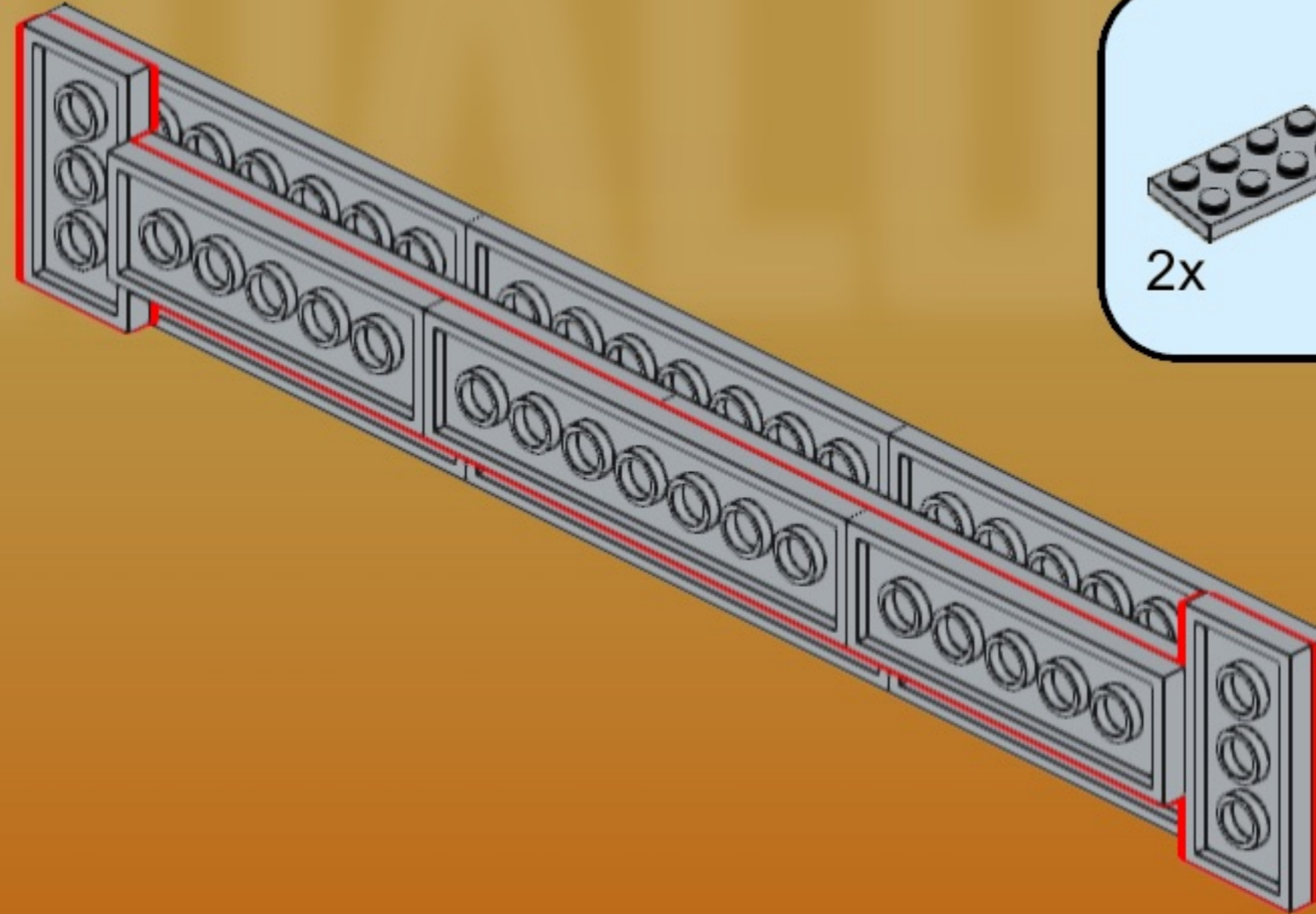
90



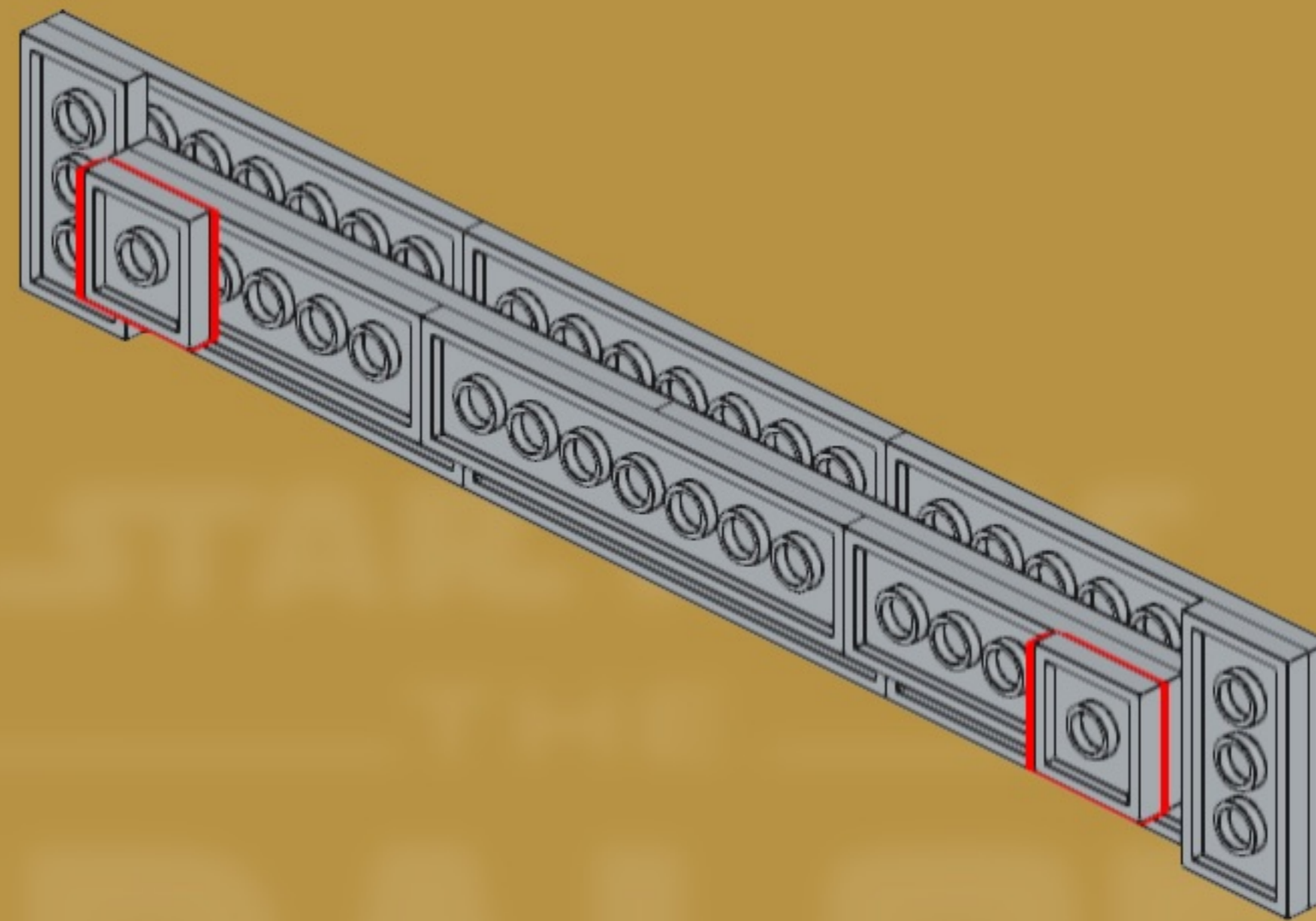
91



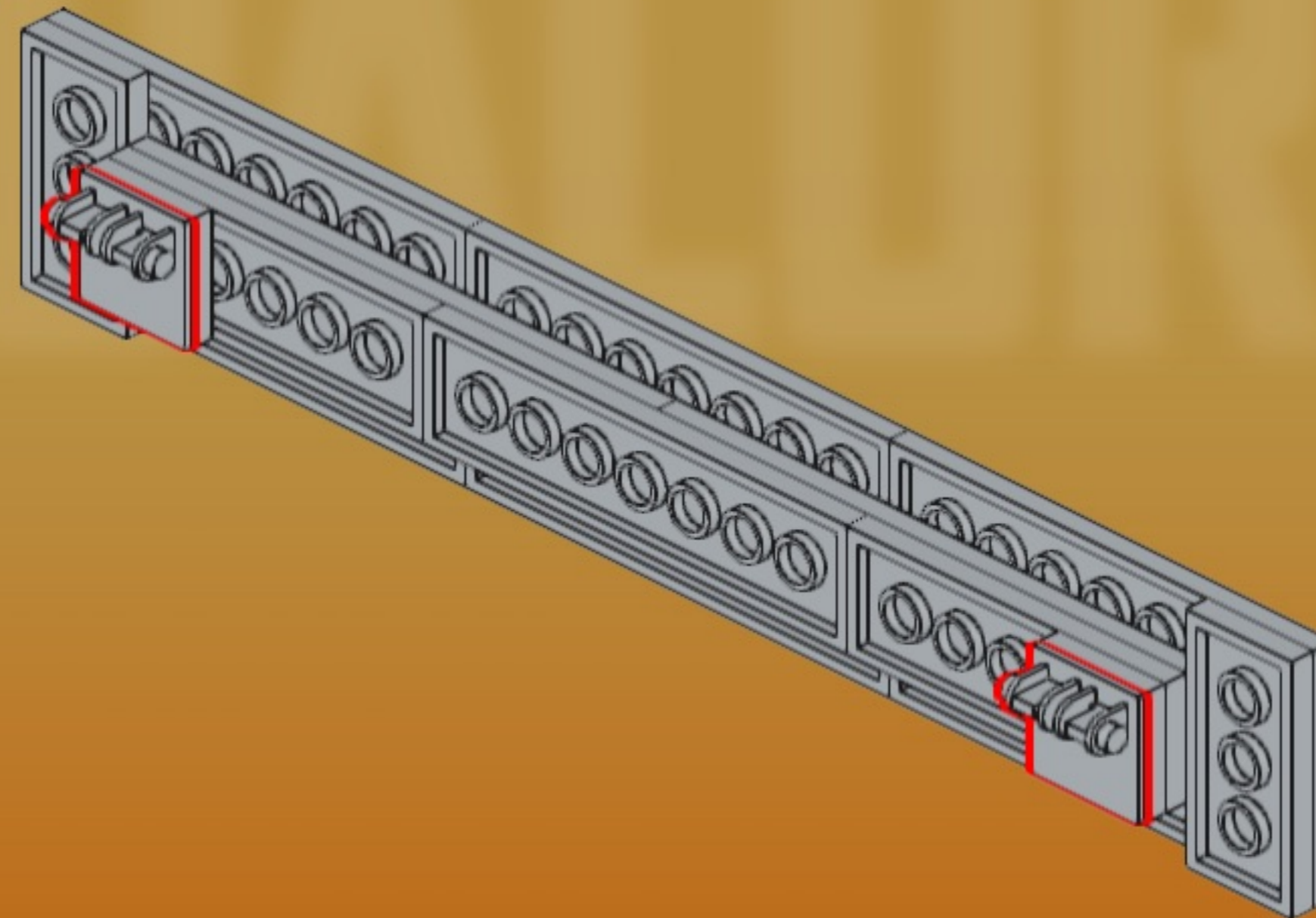
92



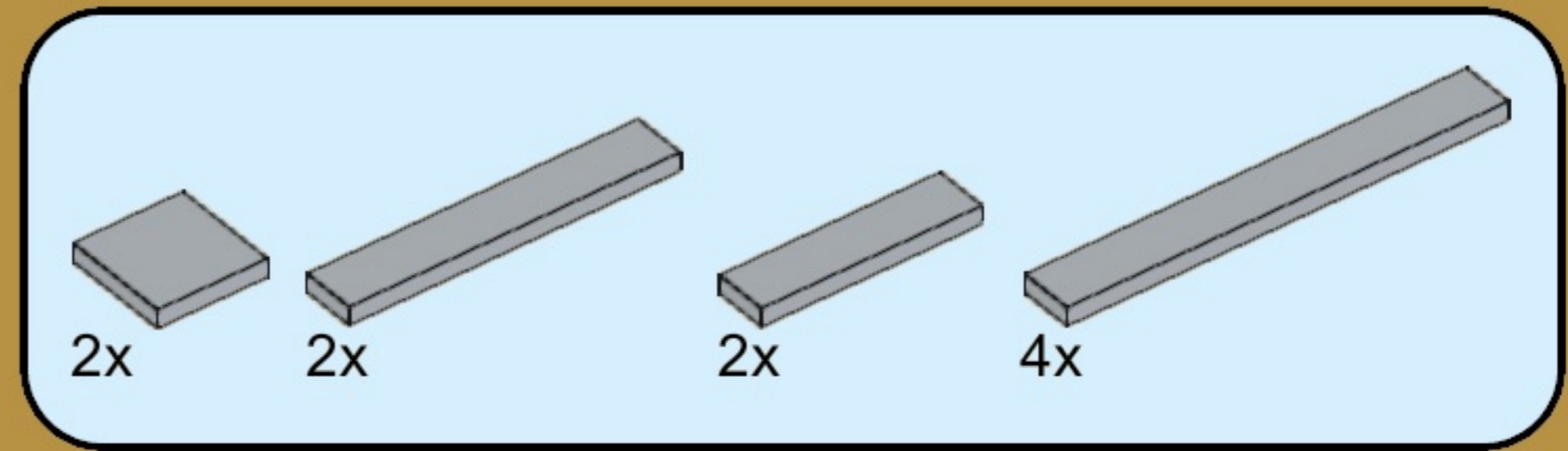
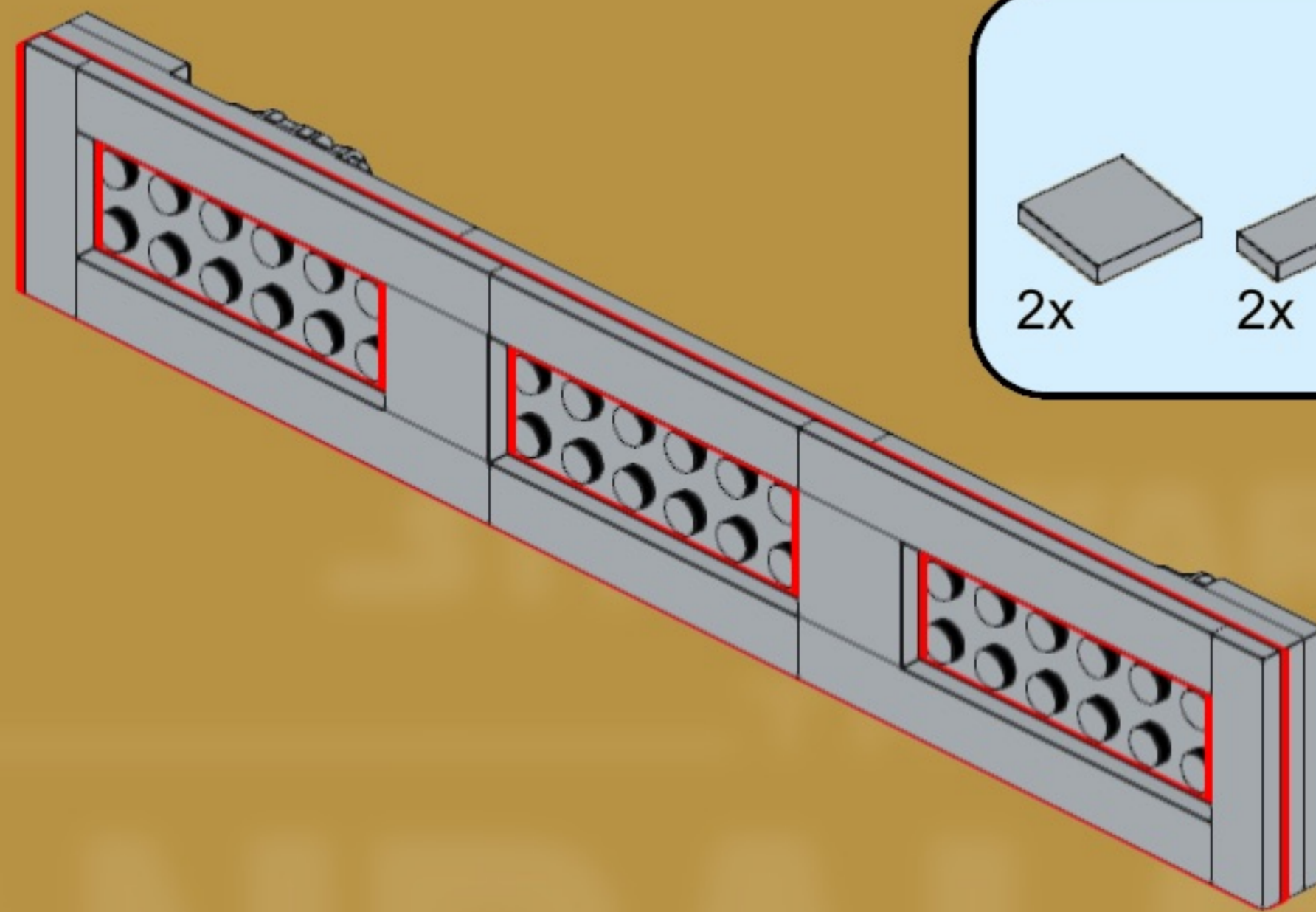
93



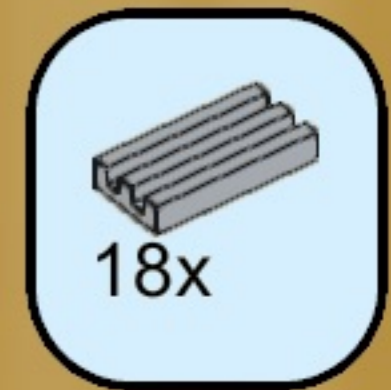
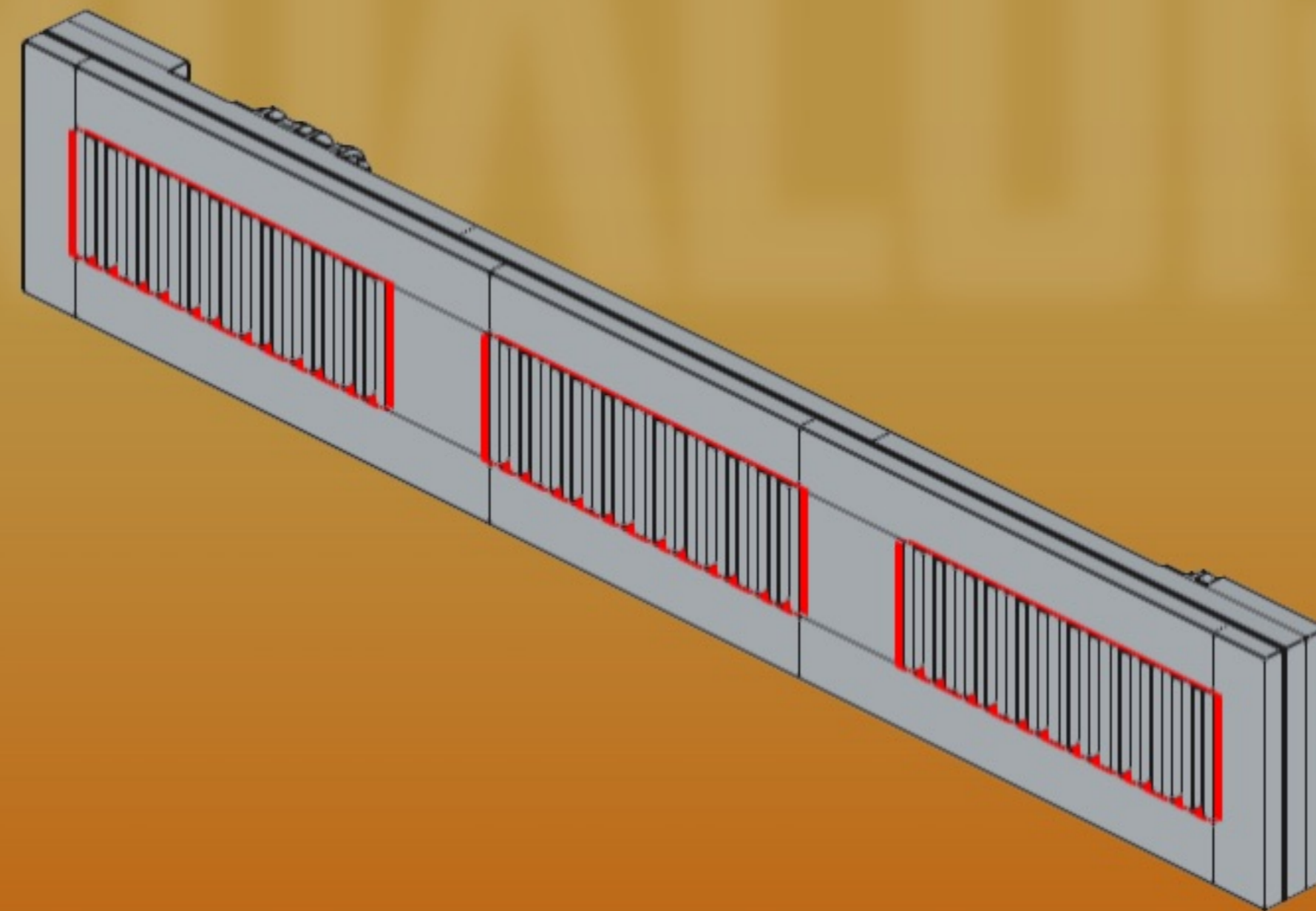
94



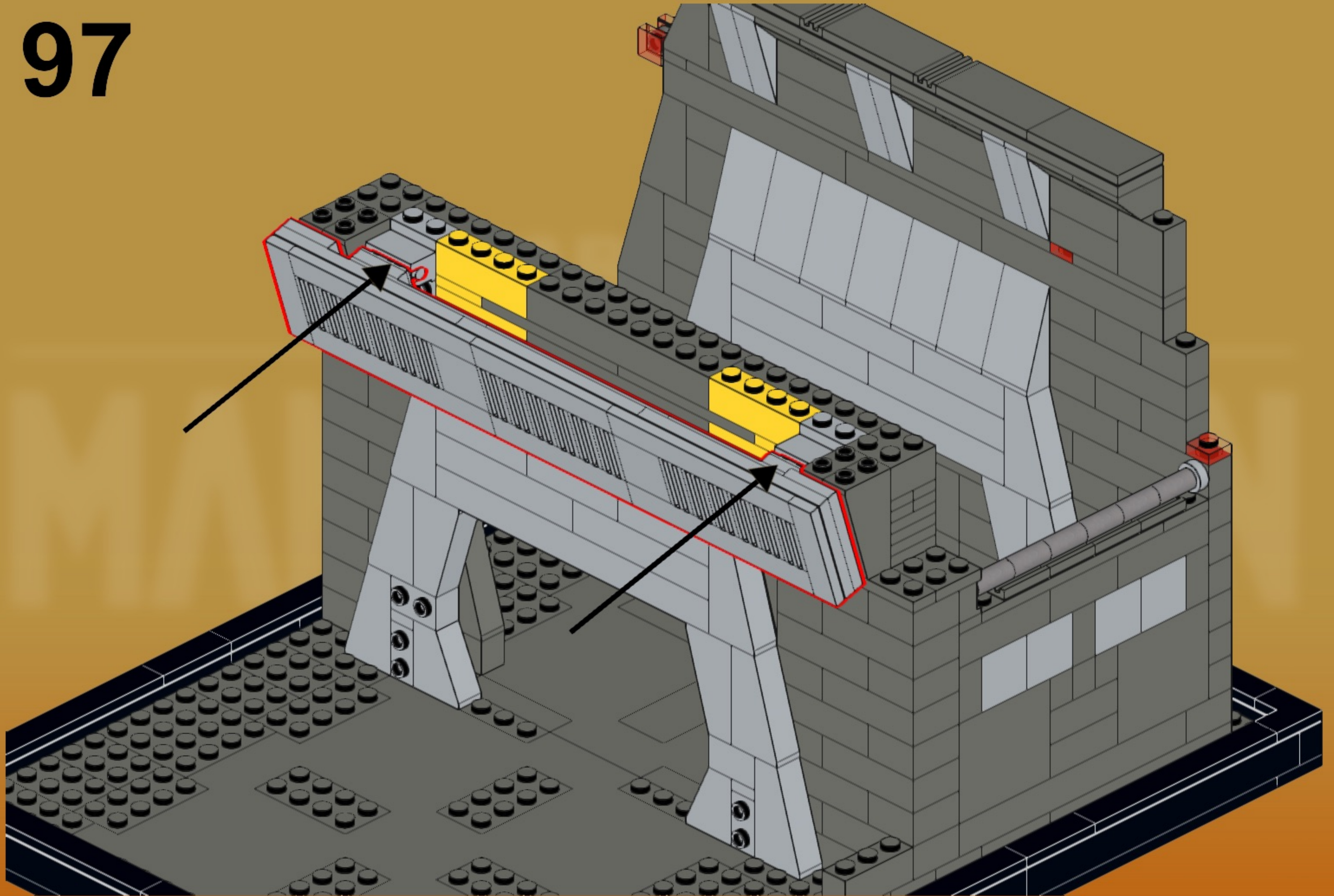
95



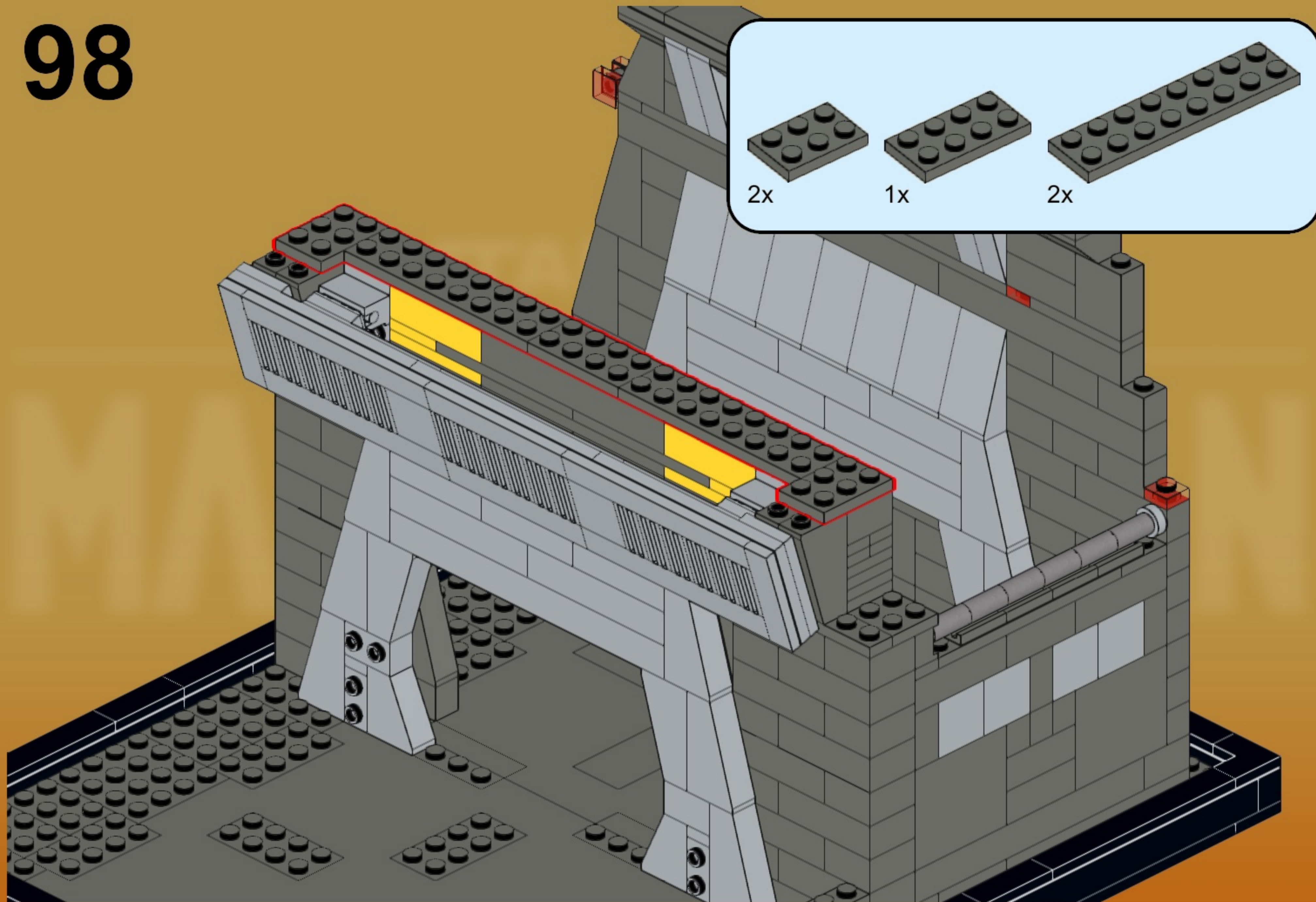
96



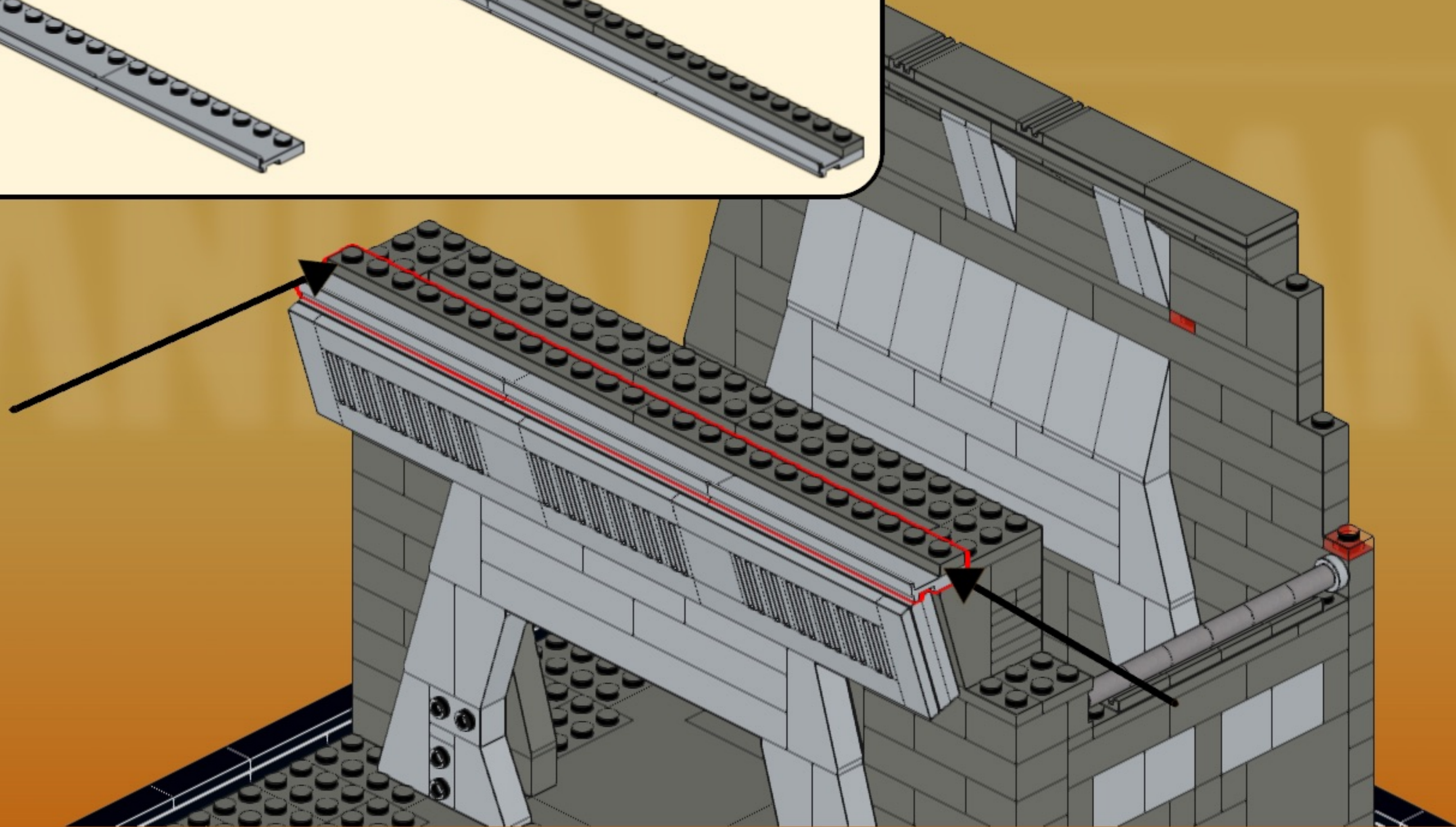
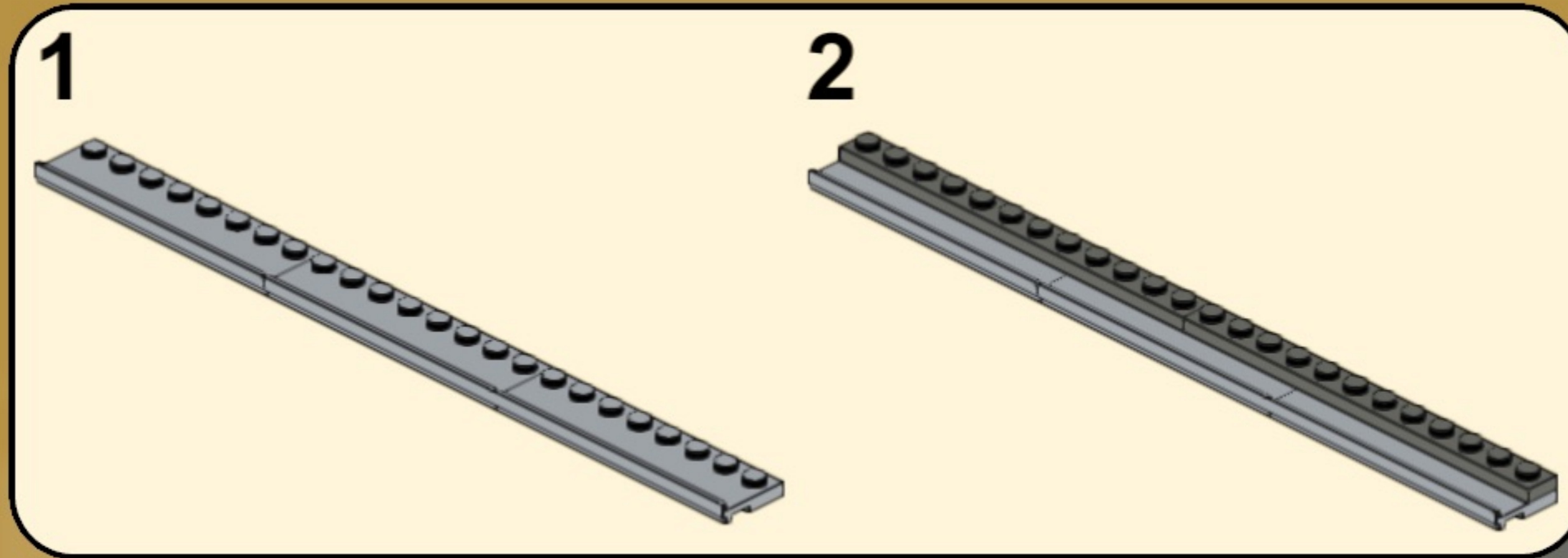
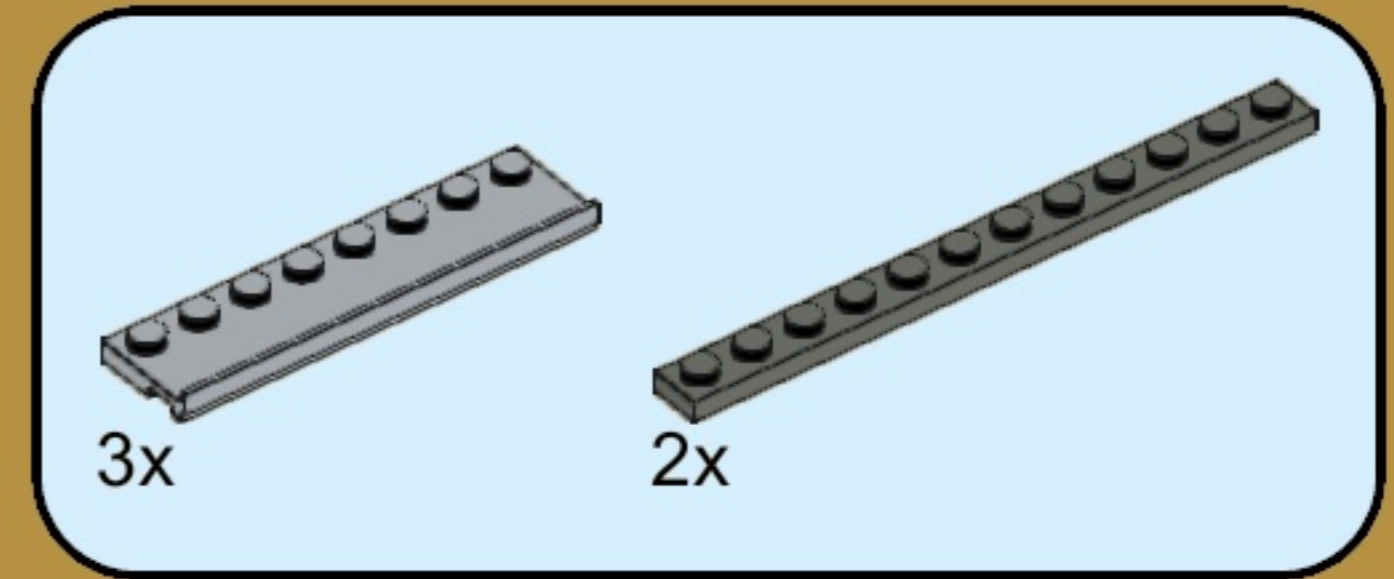
97



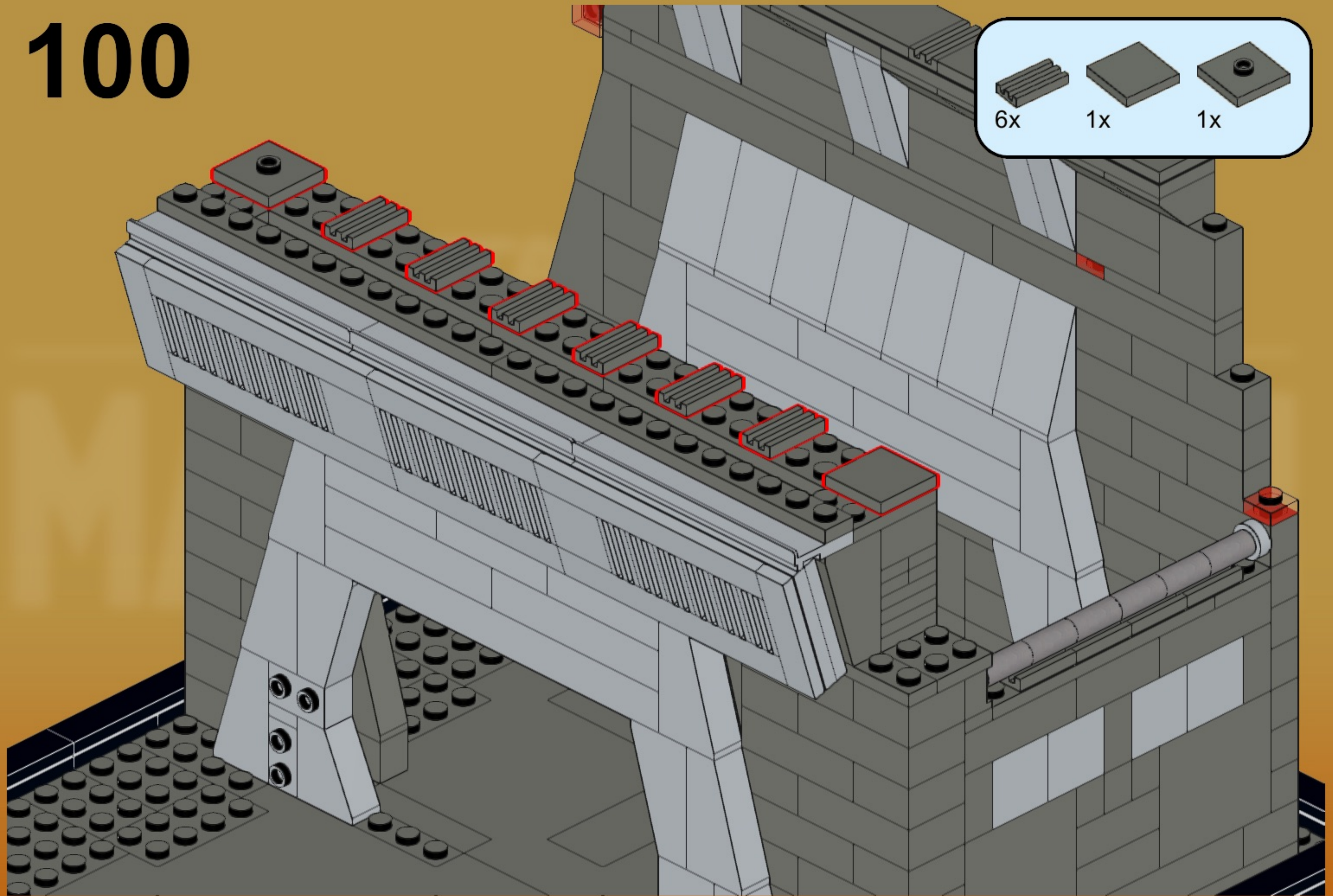
98



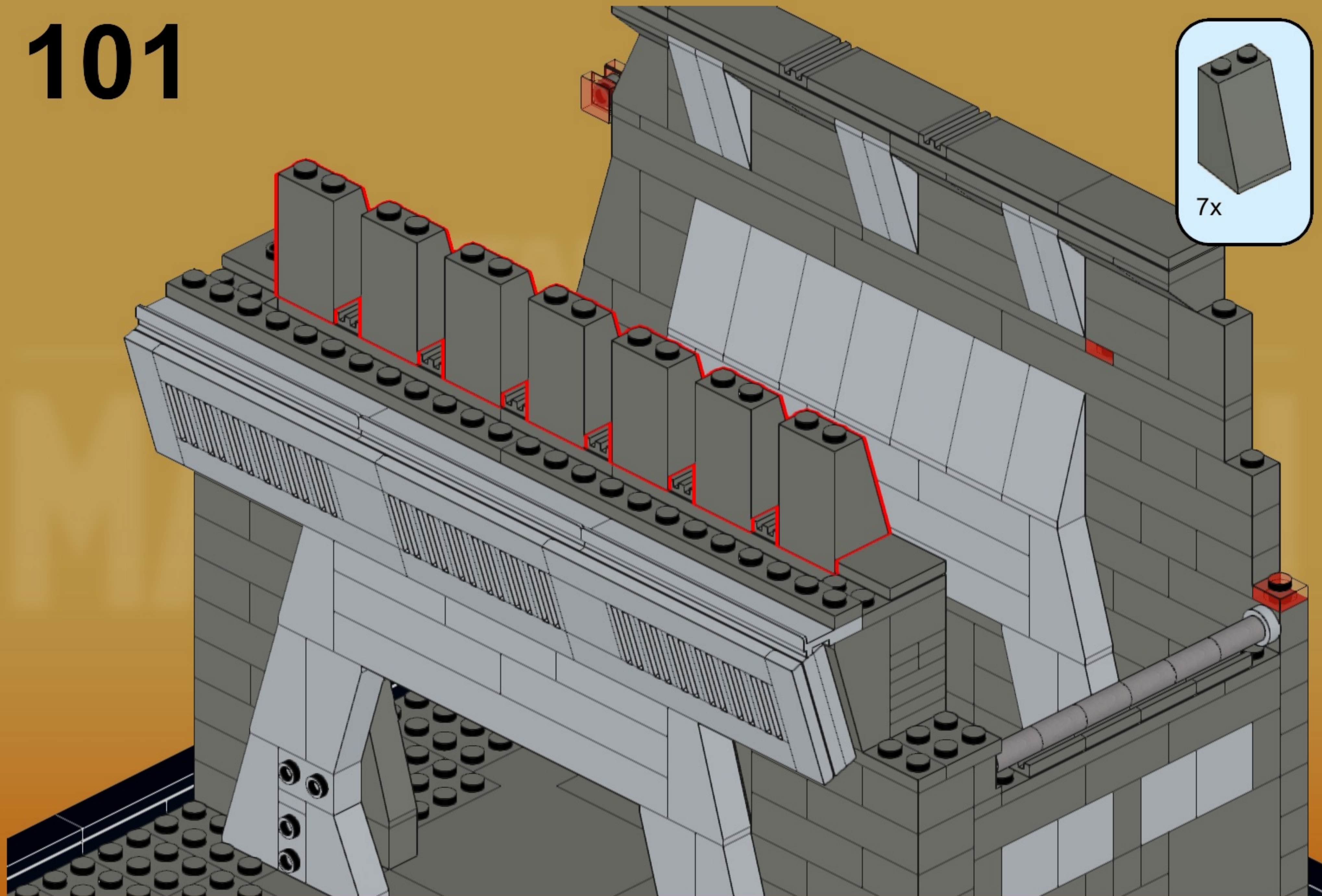
99



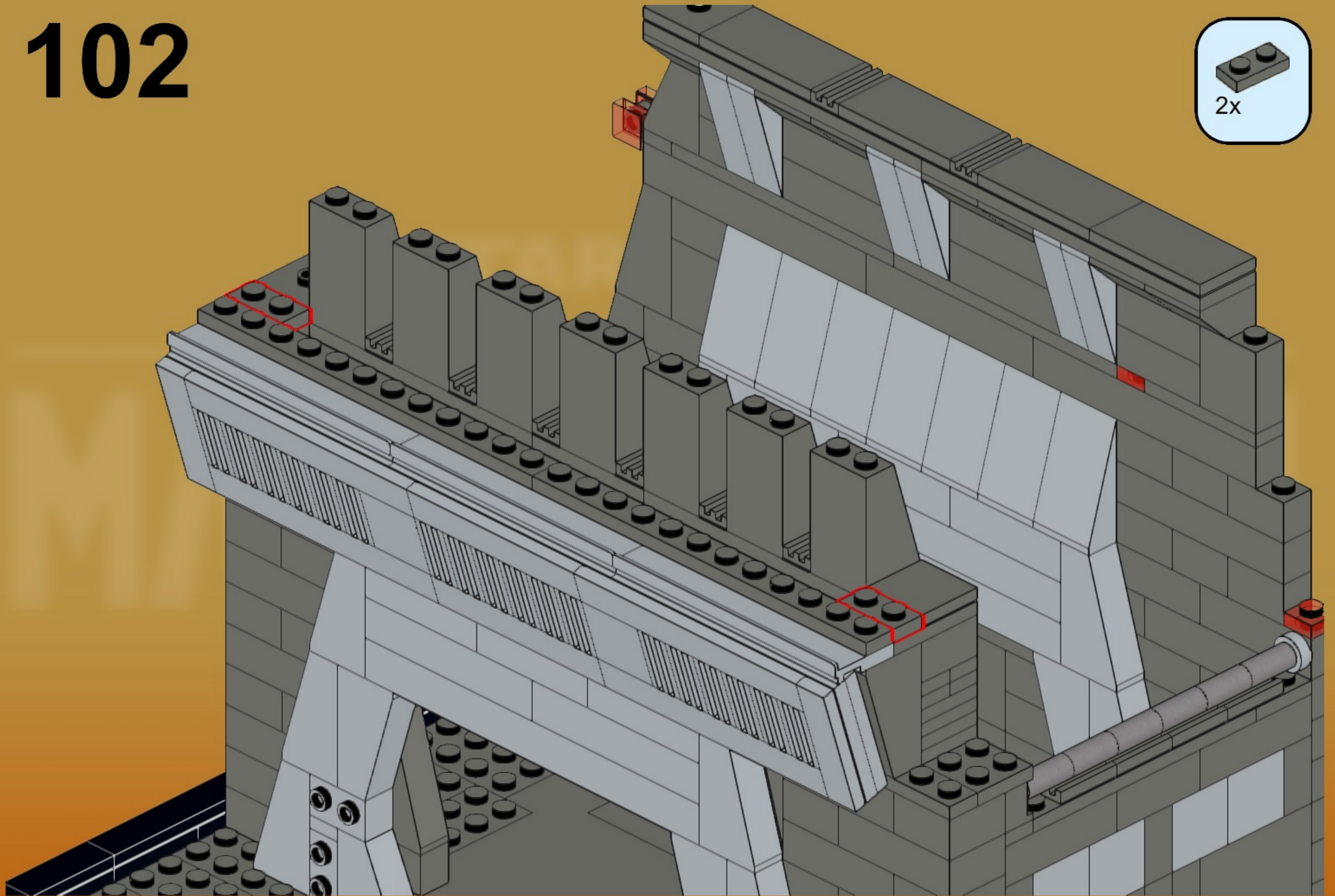
100



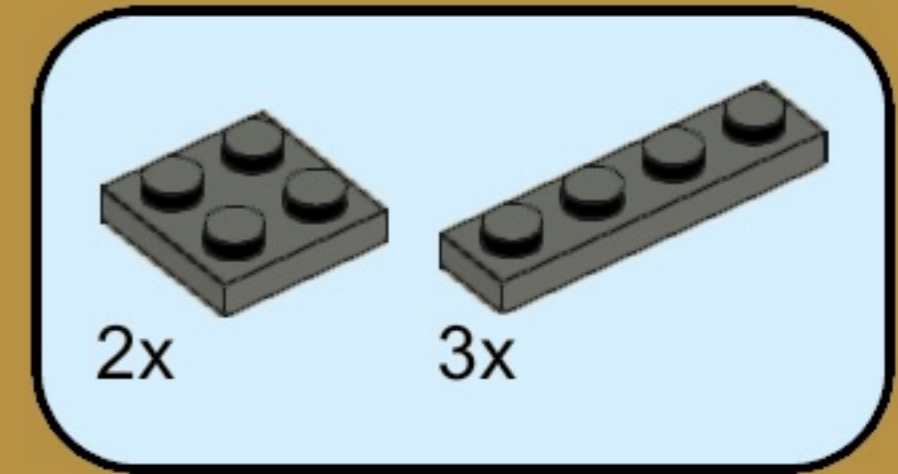
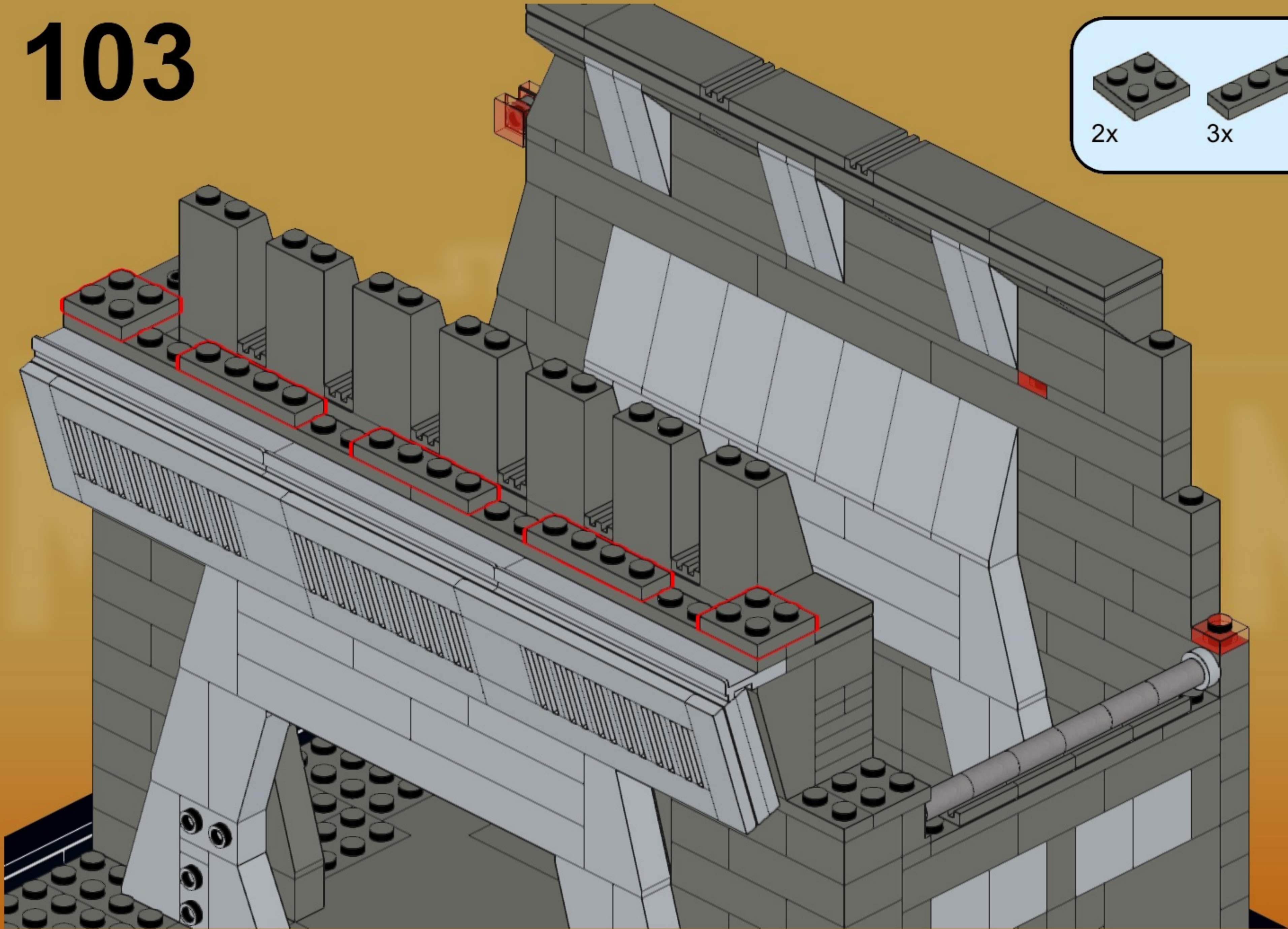
101



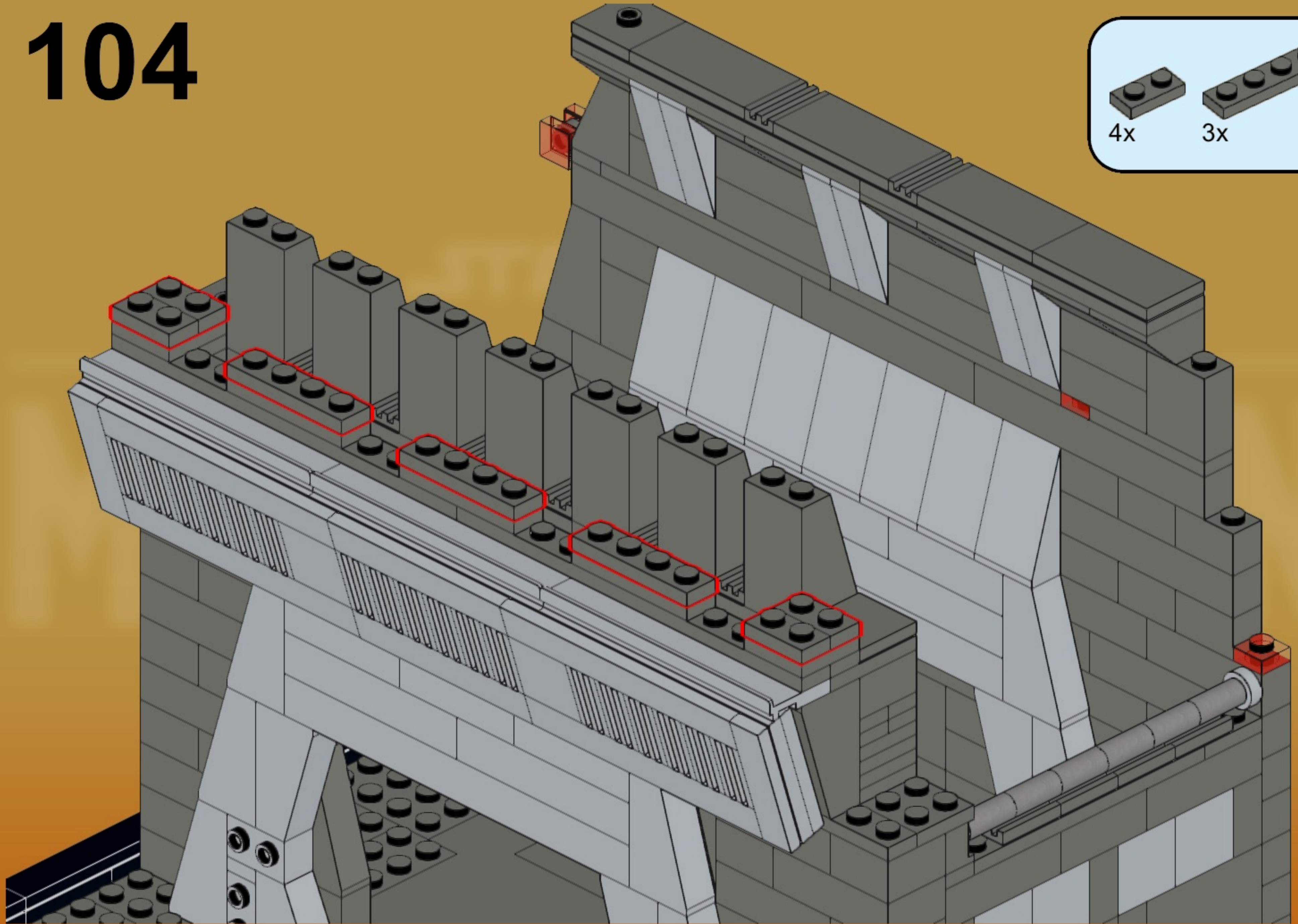
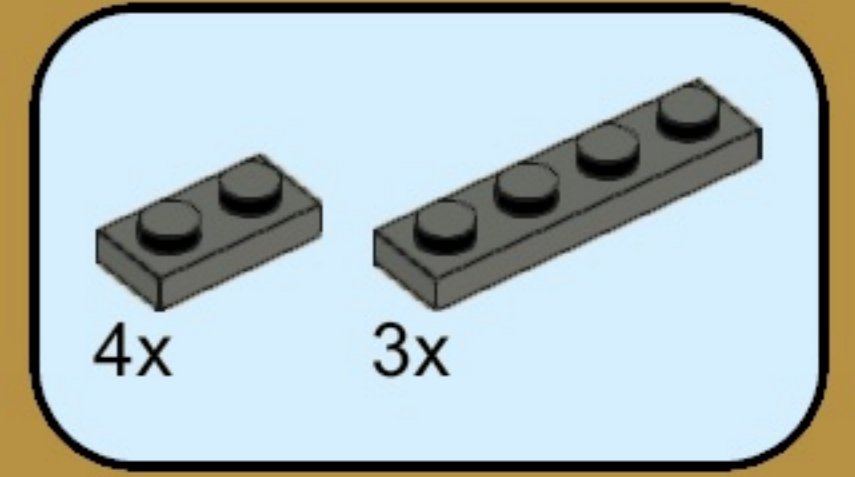
102



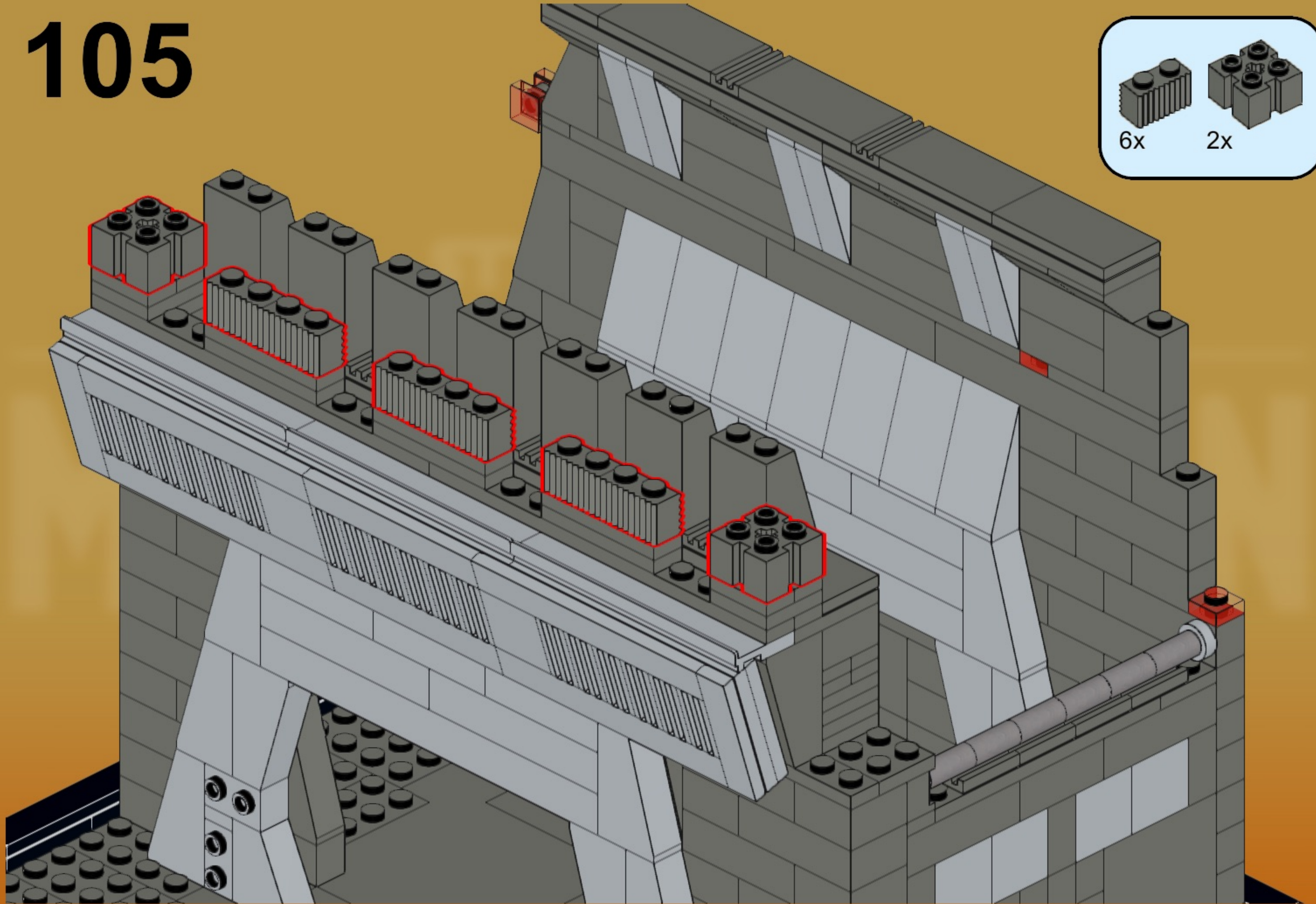
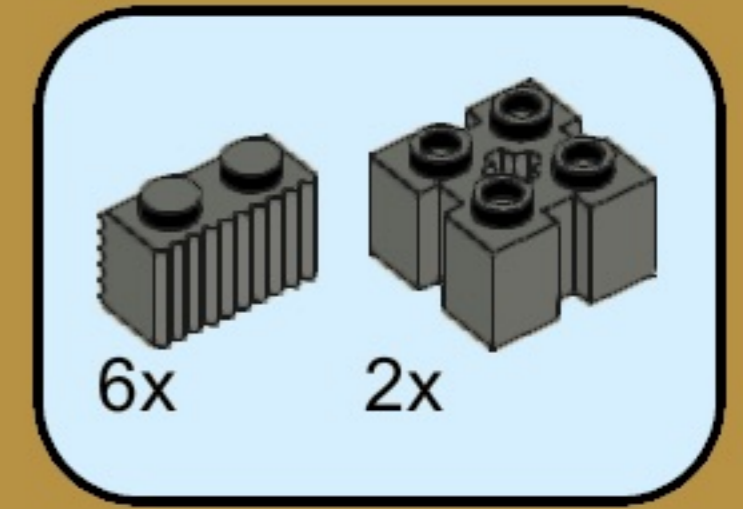
103



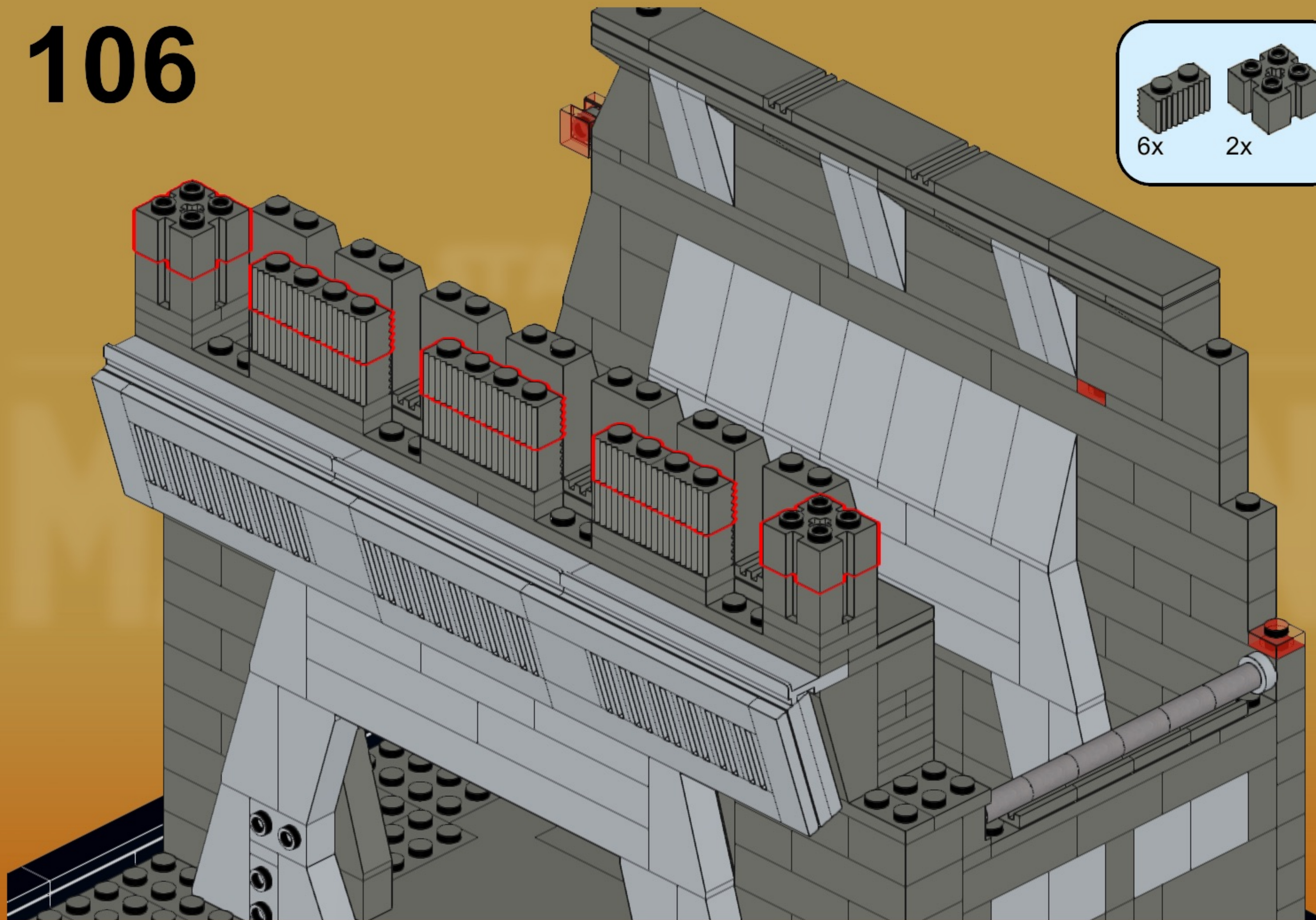
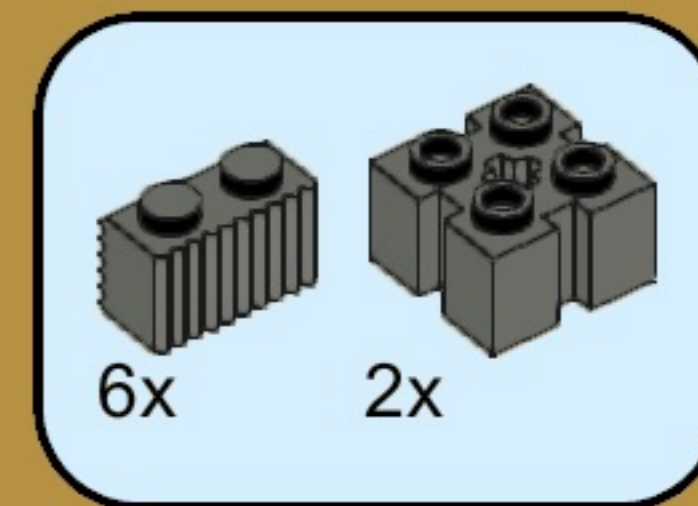
104



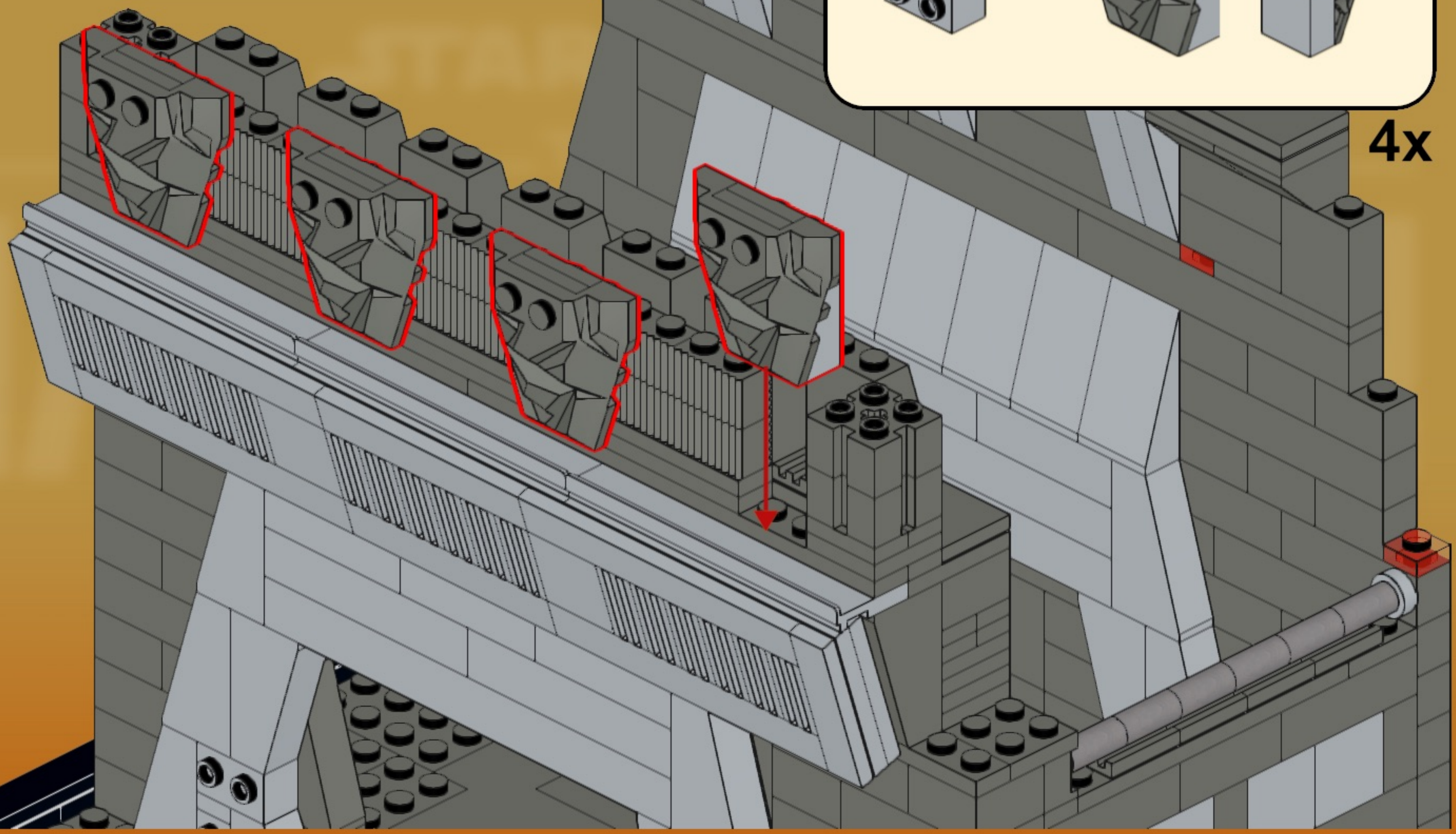
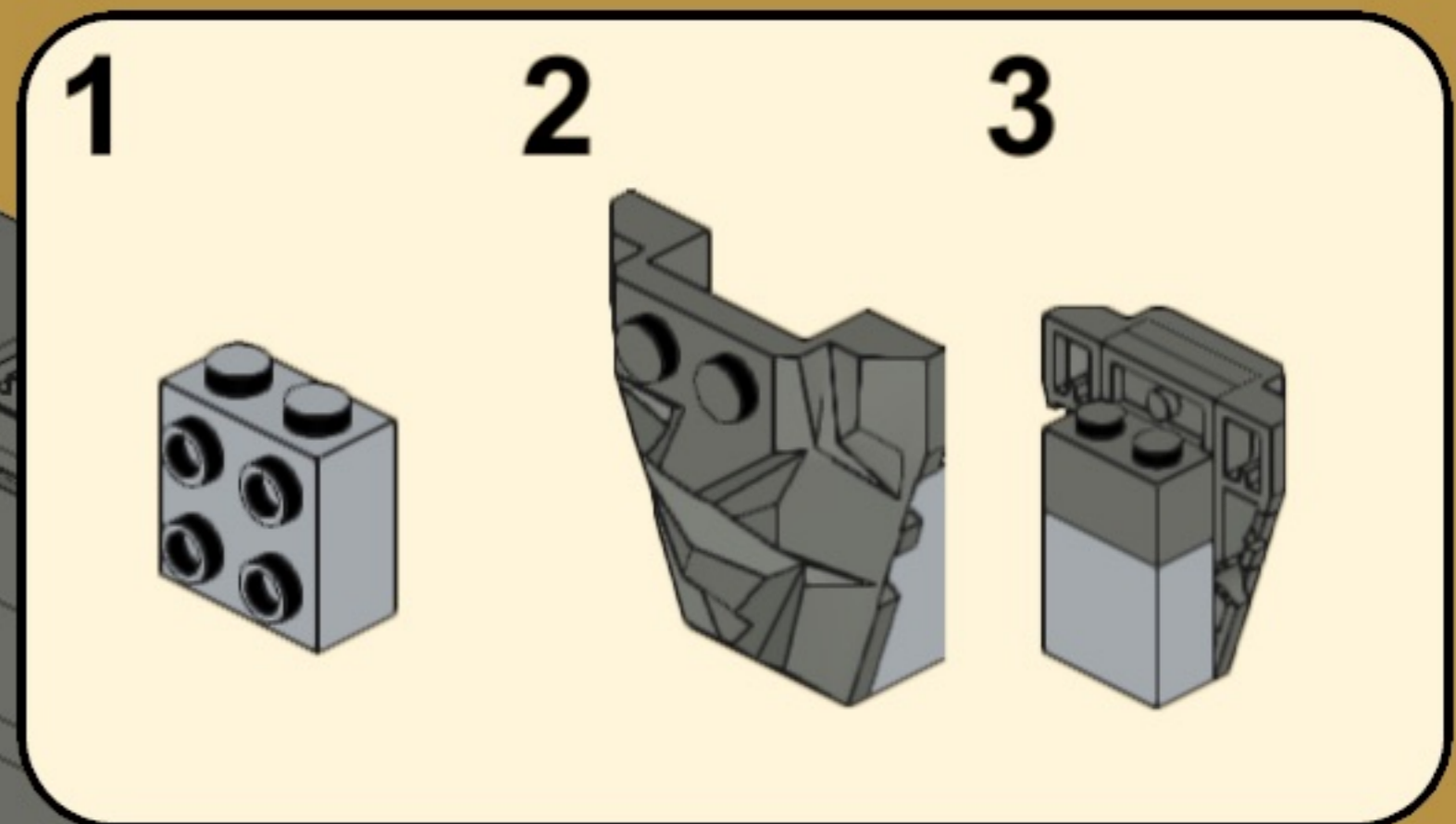
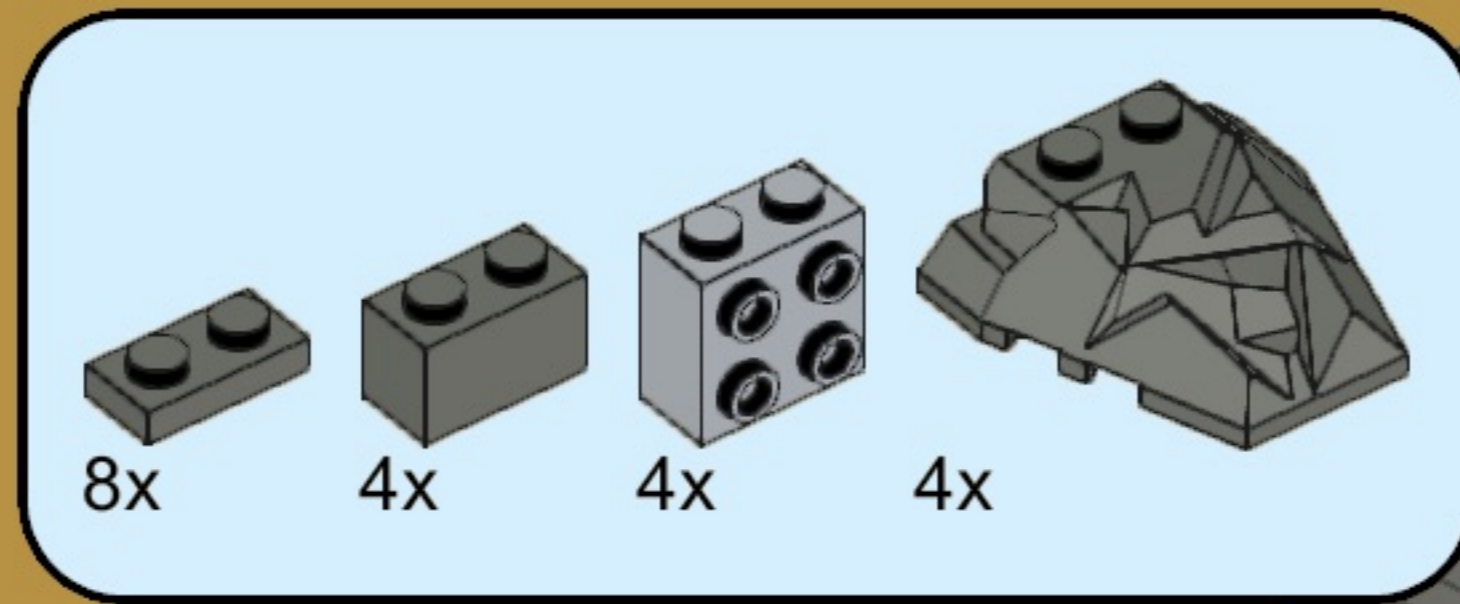
105



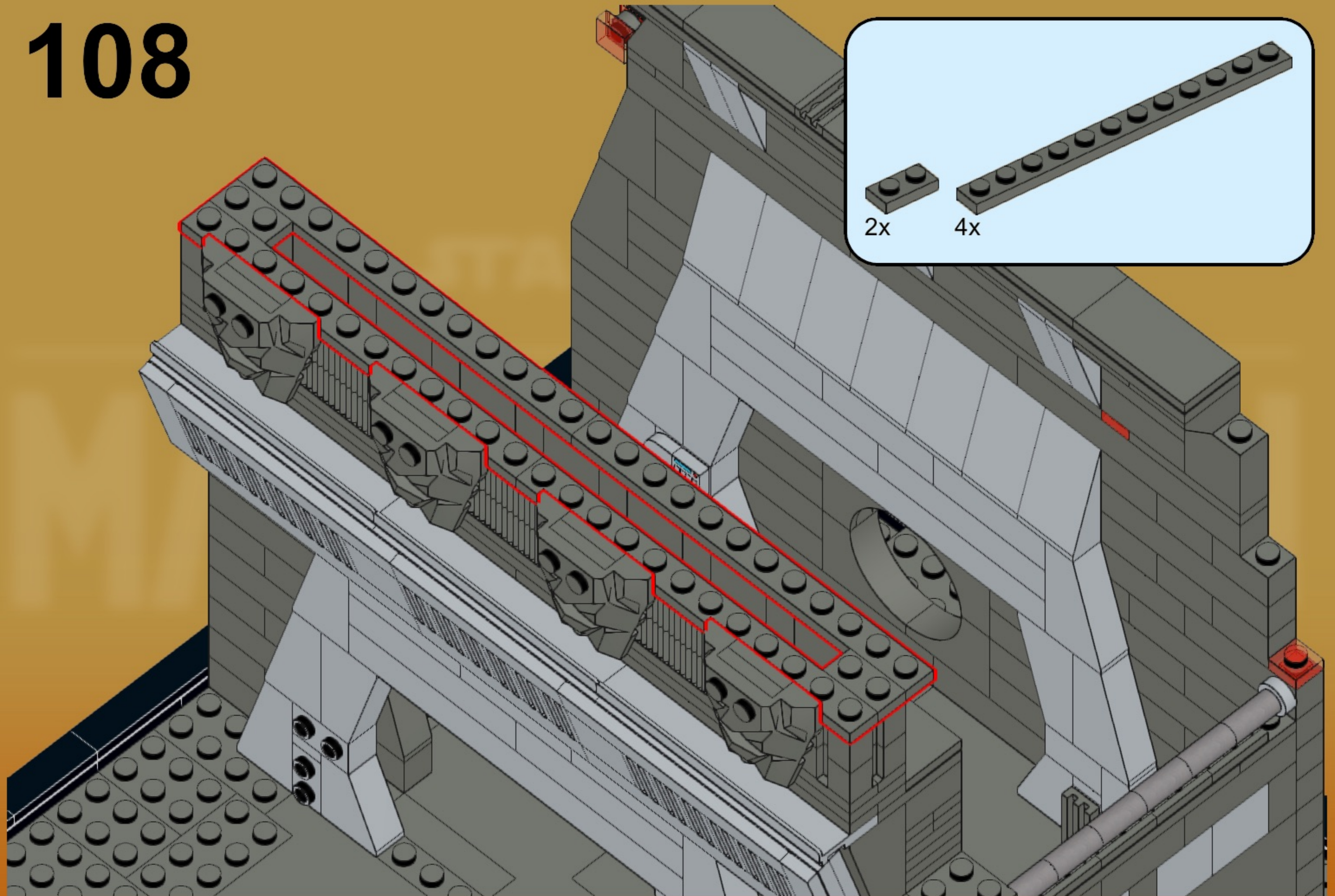
106



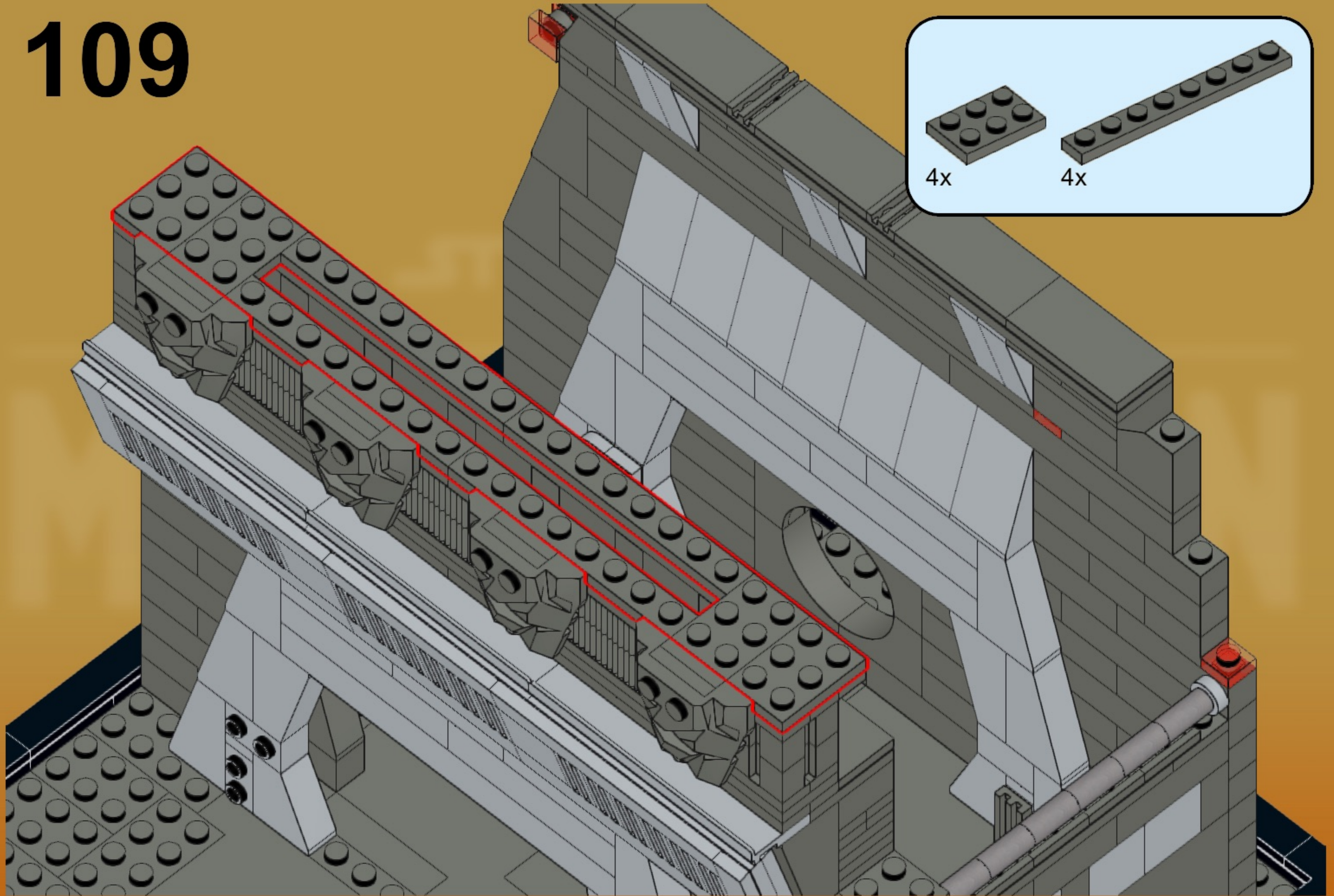
107



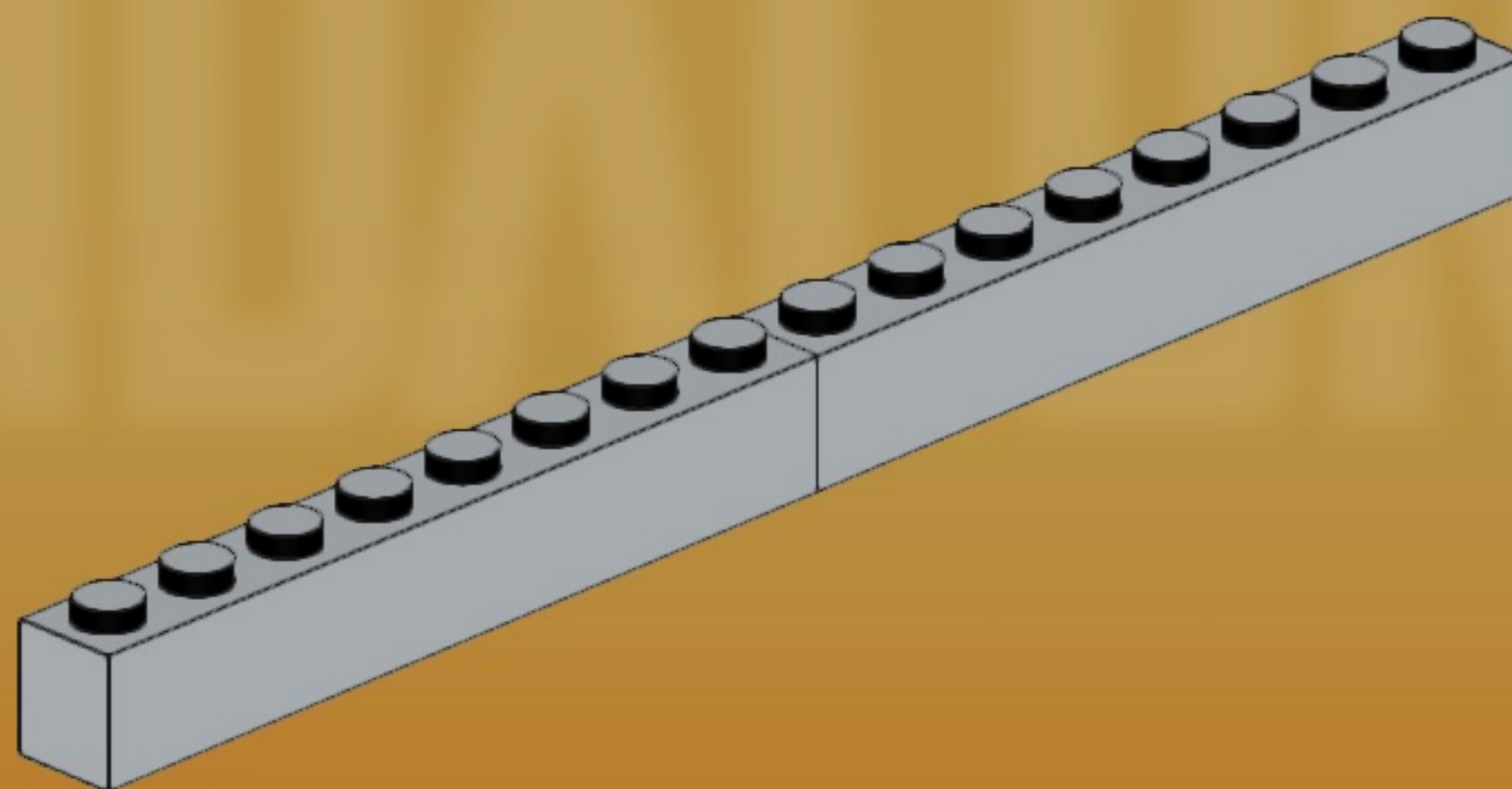
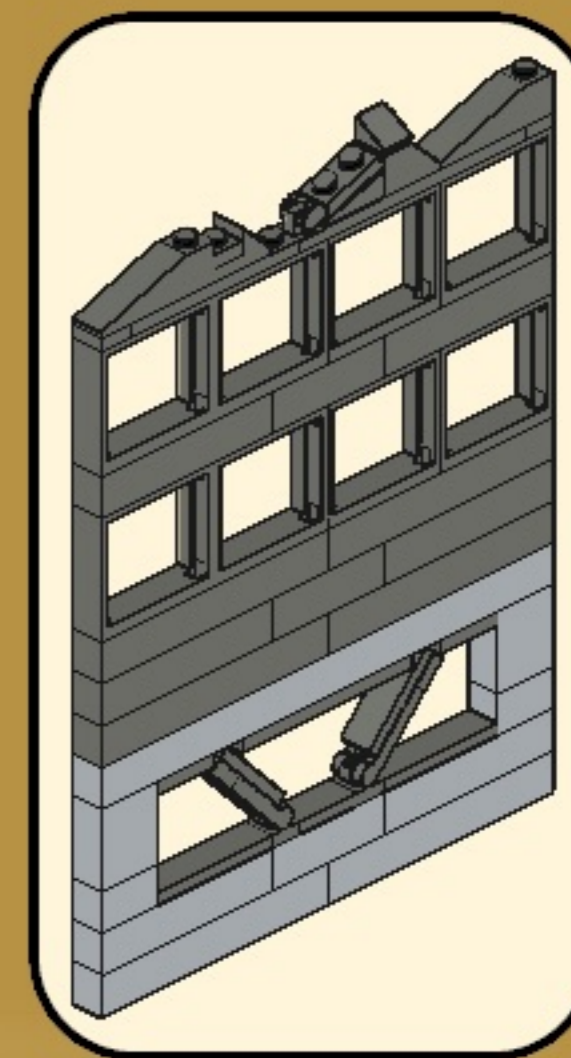
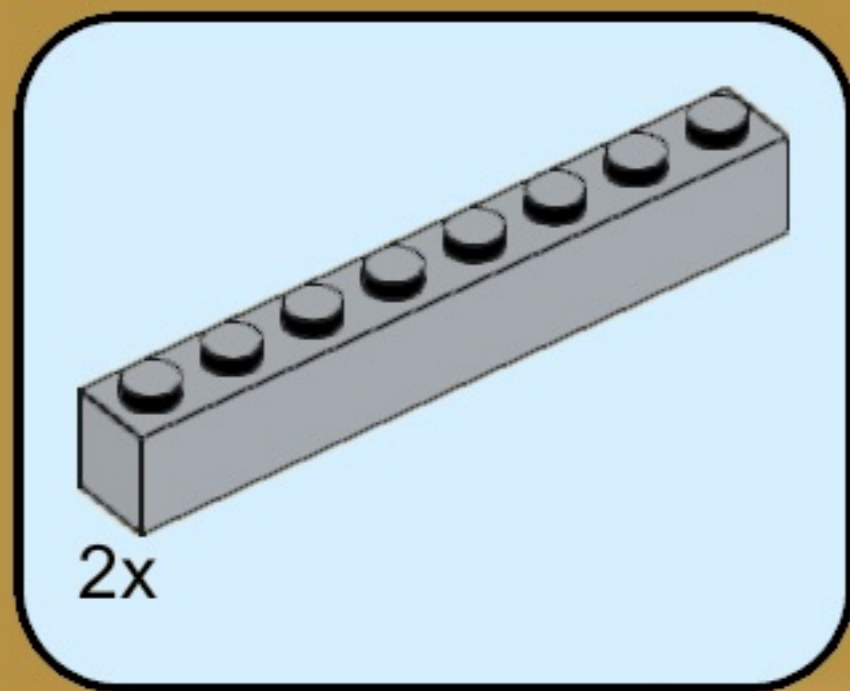
108



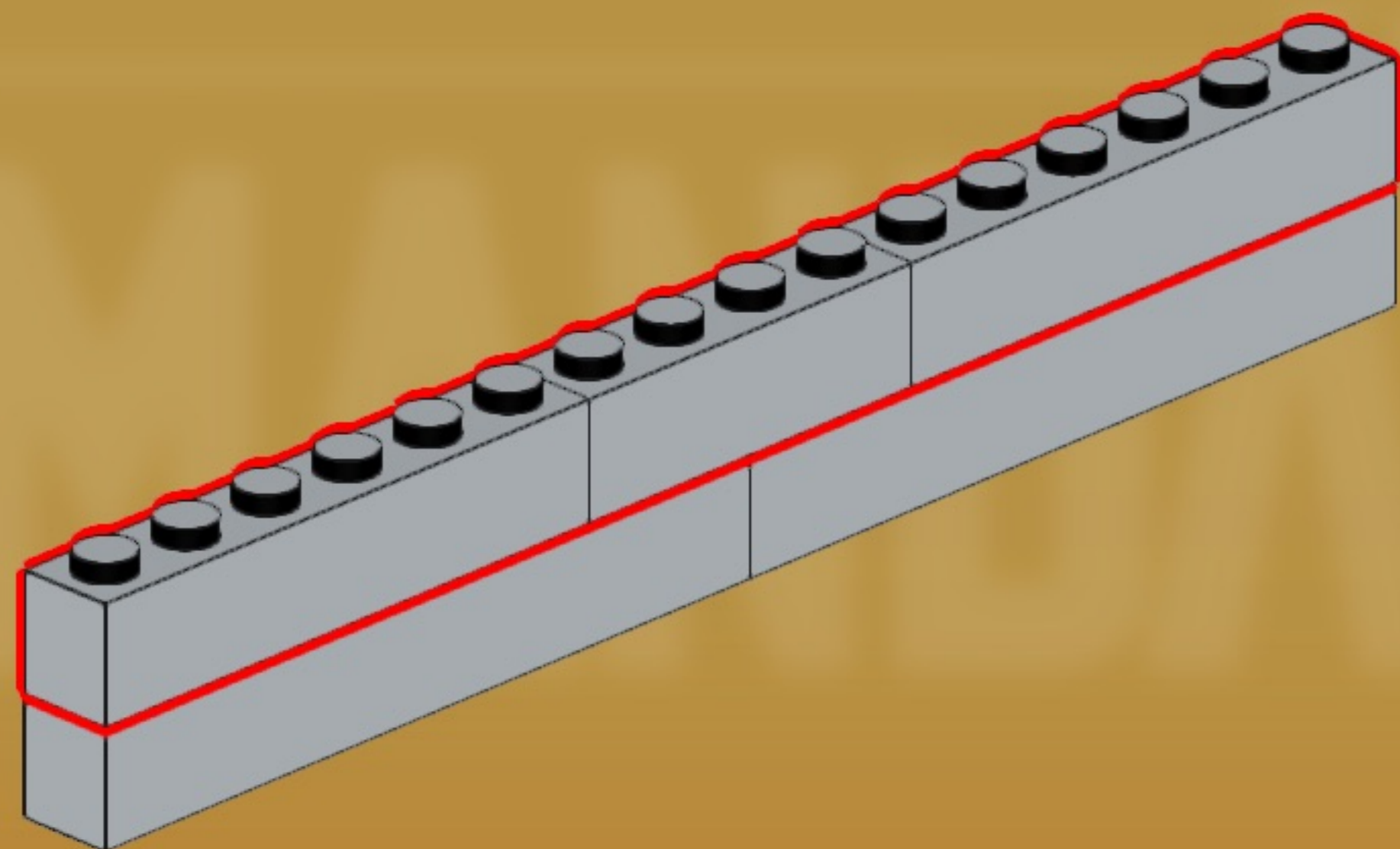
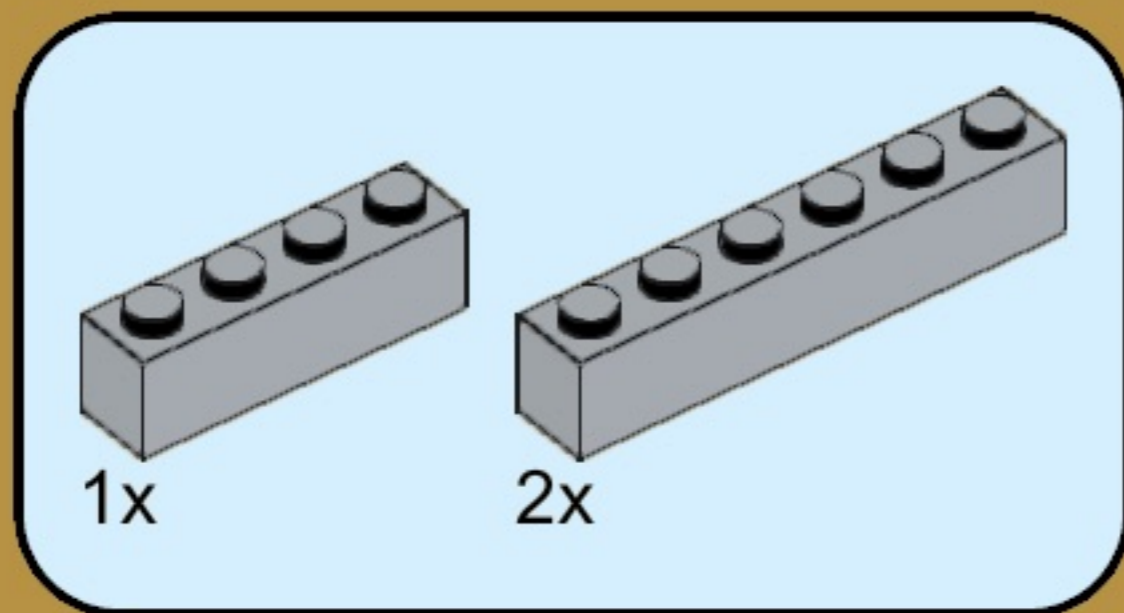
109



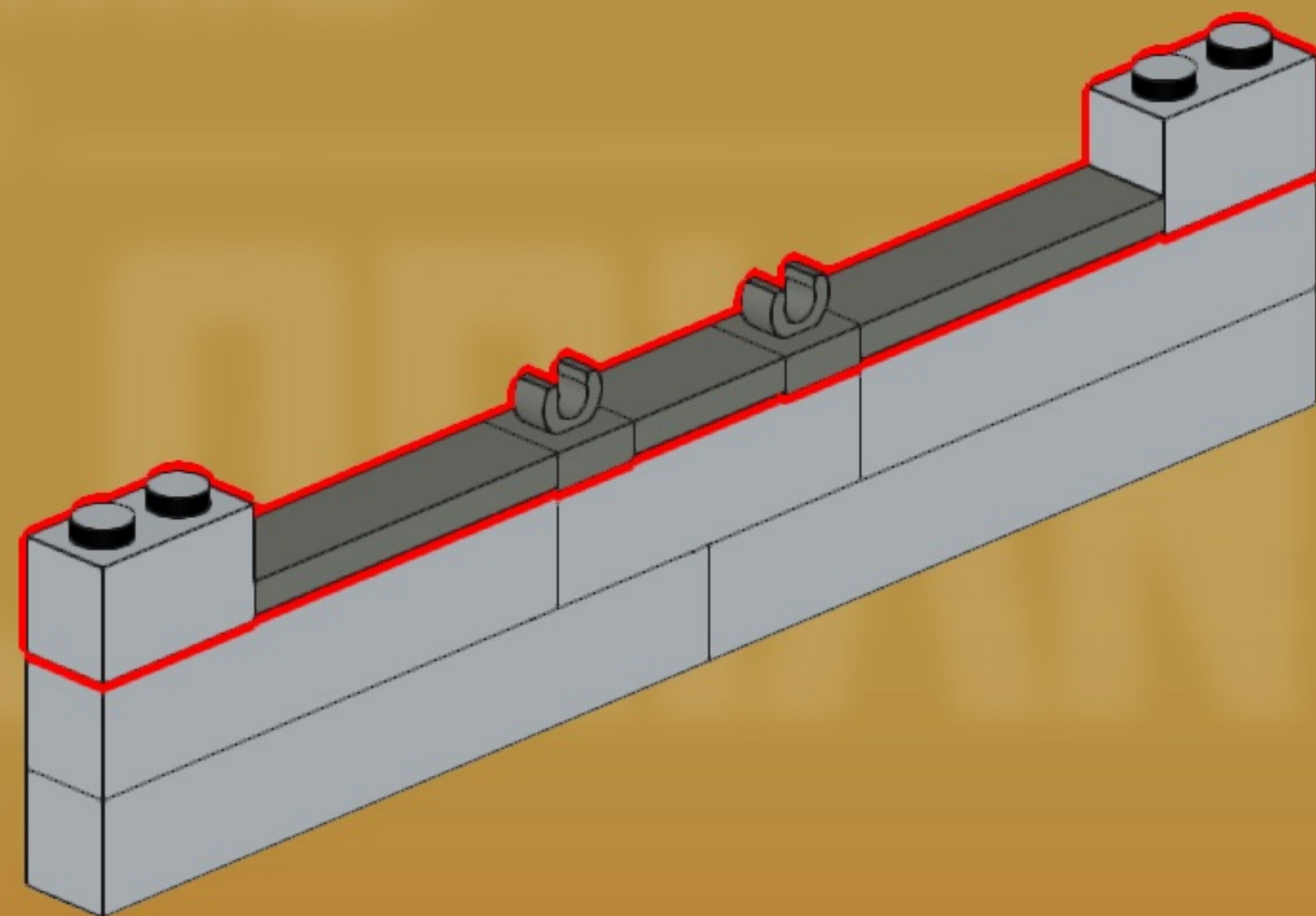
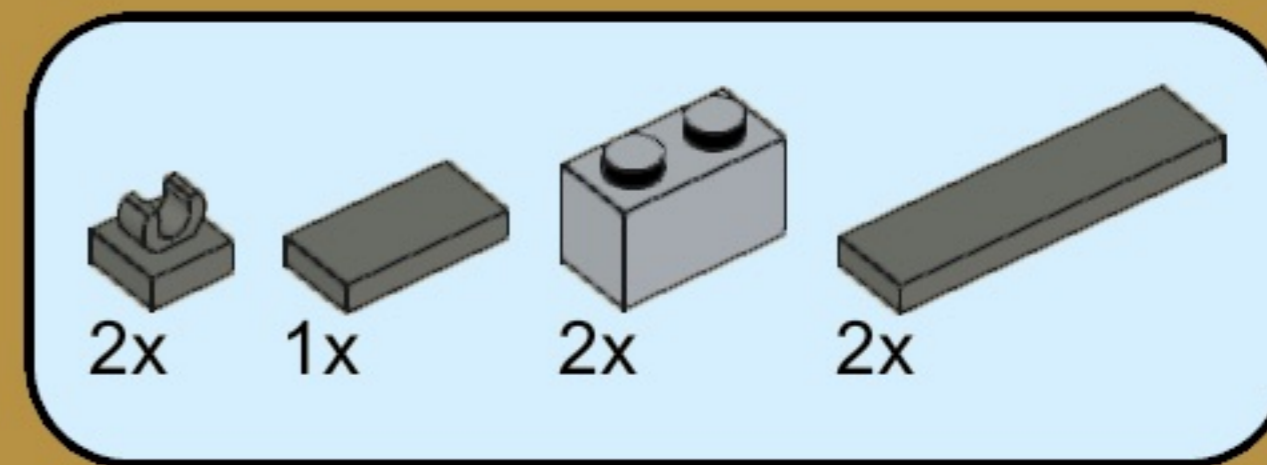
110



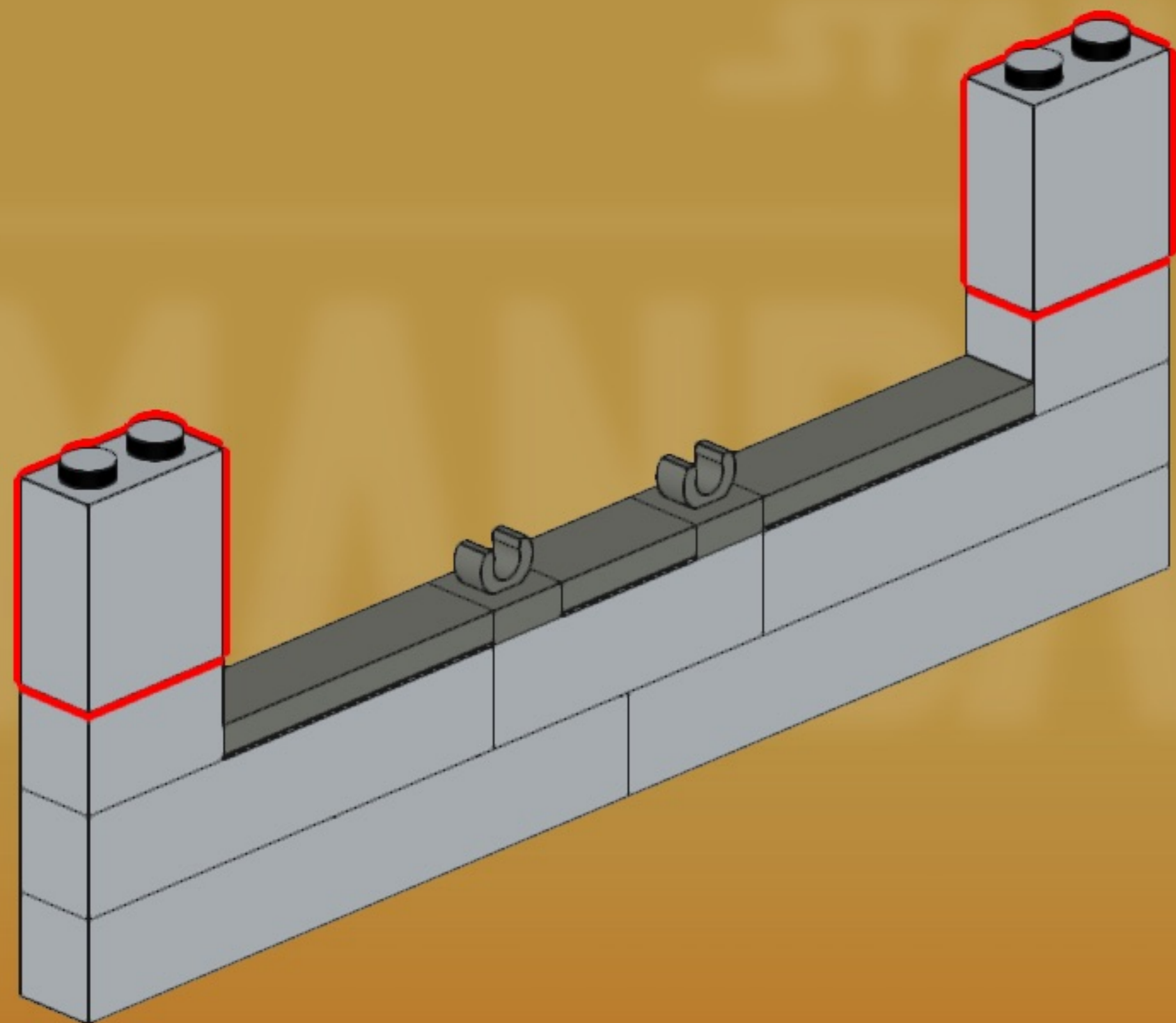
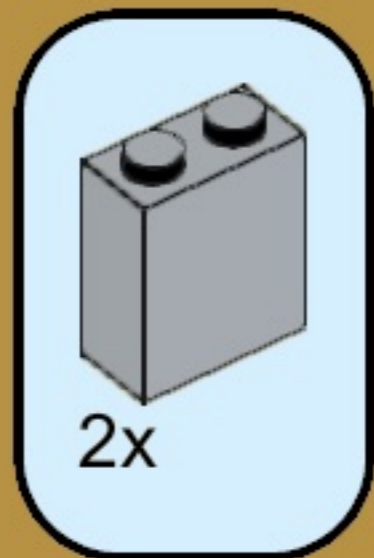
111



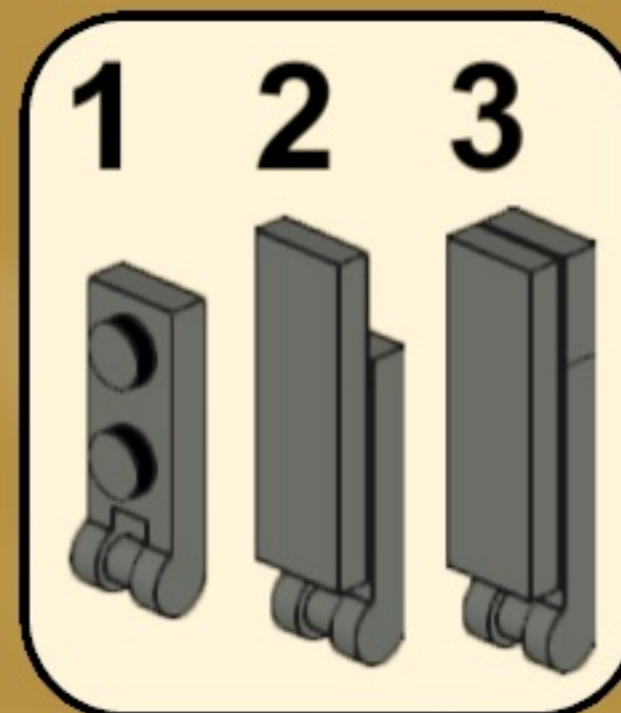
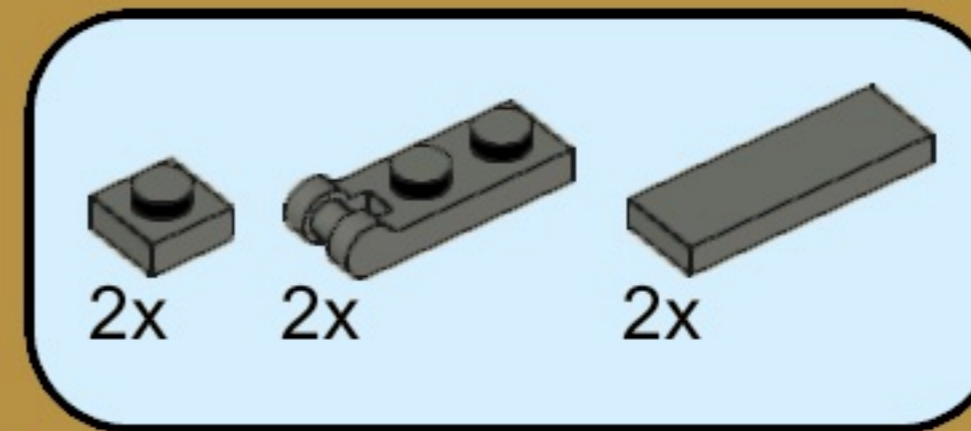
112



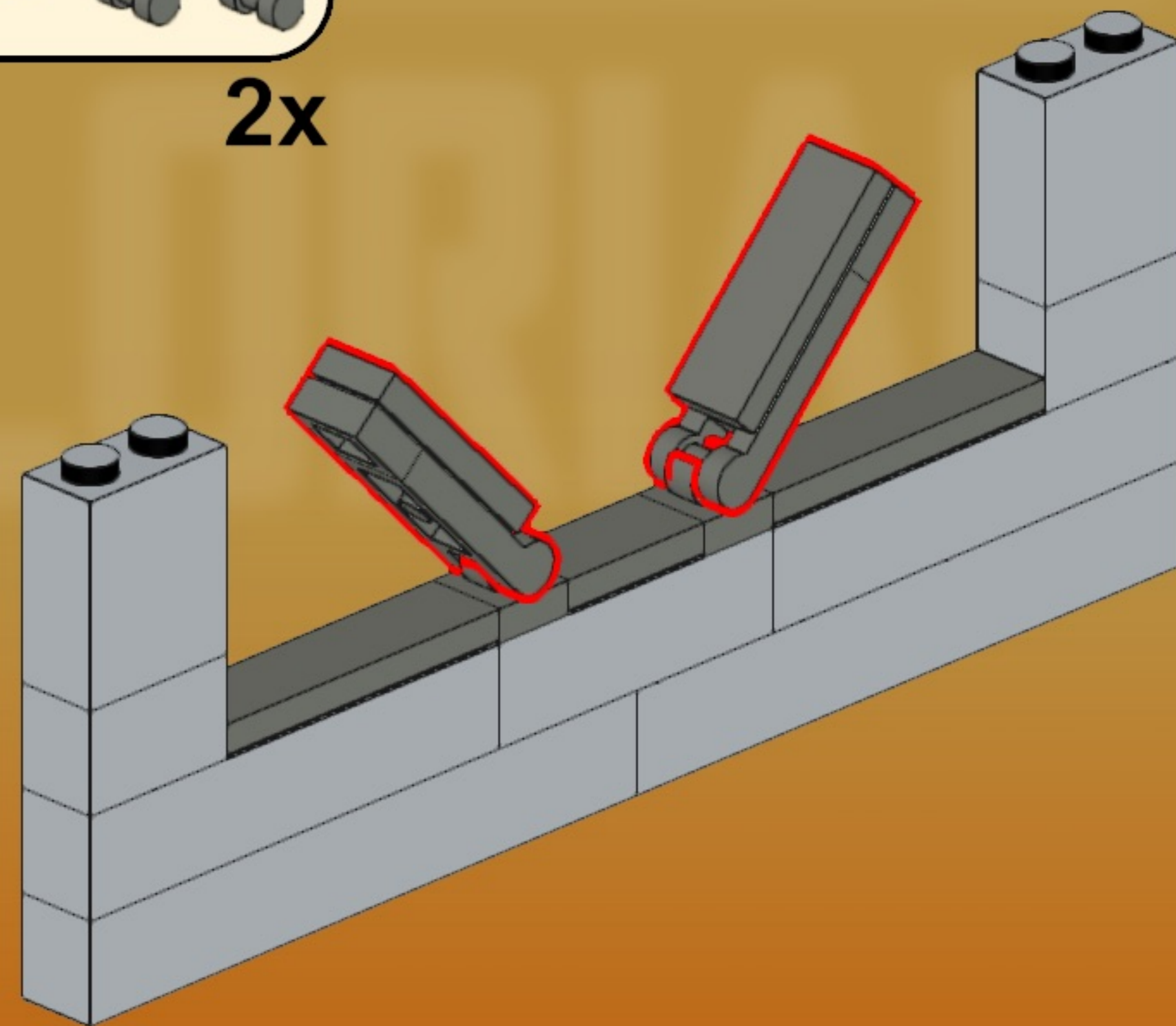
113



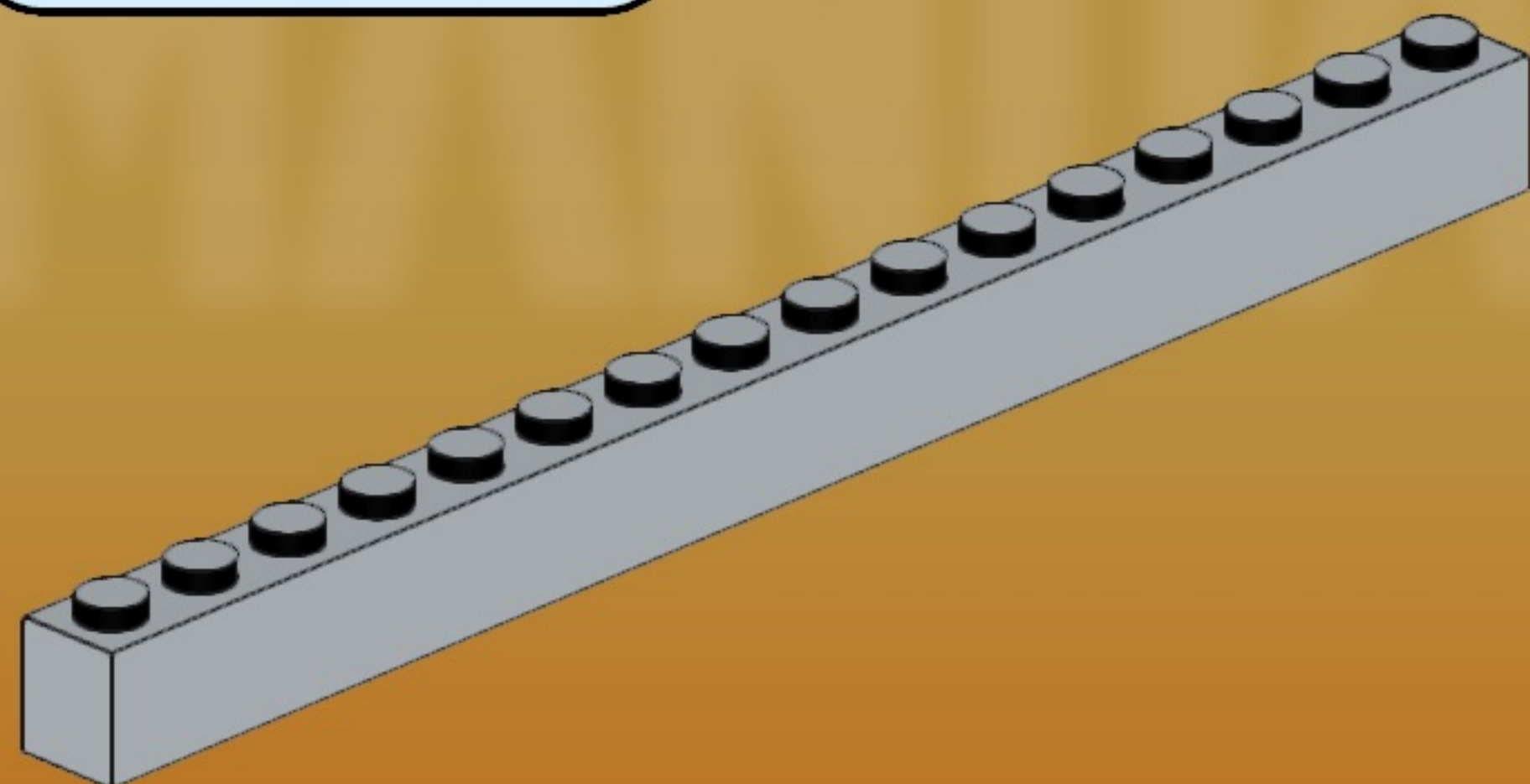
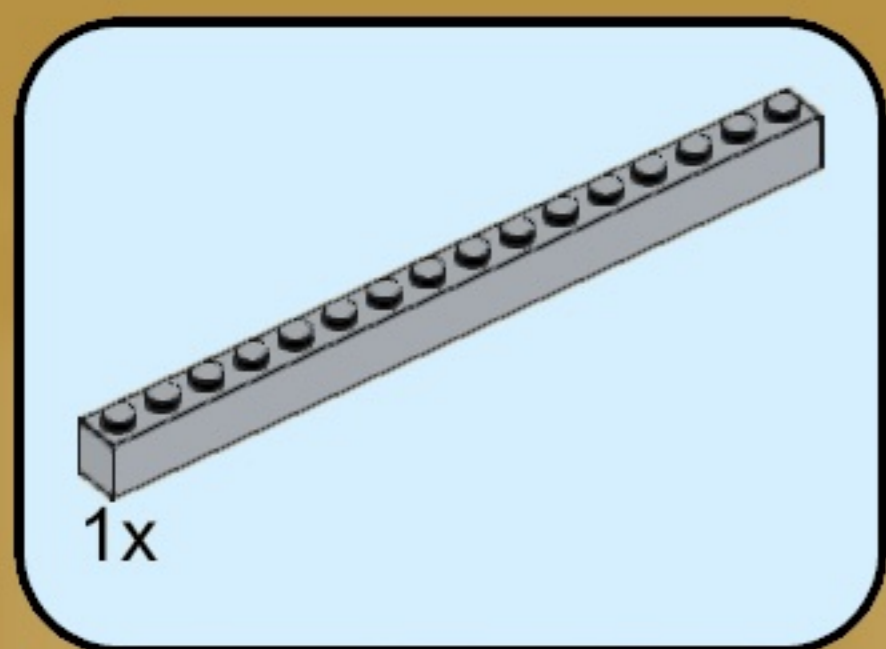
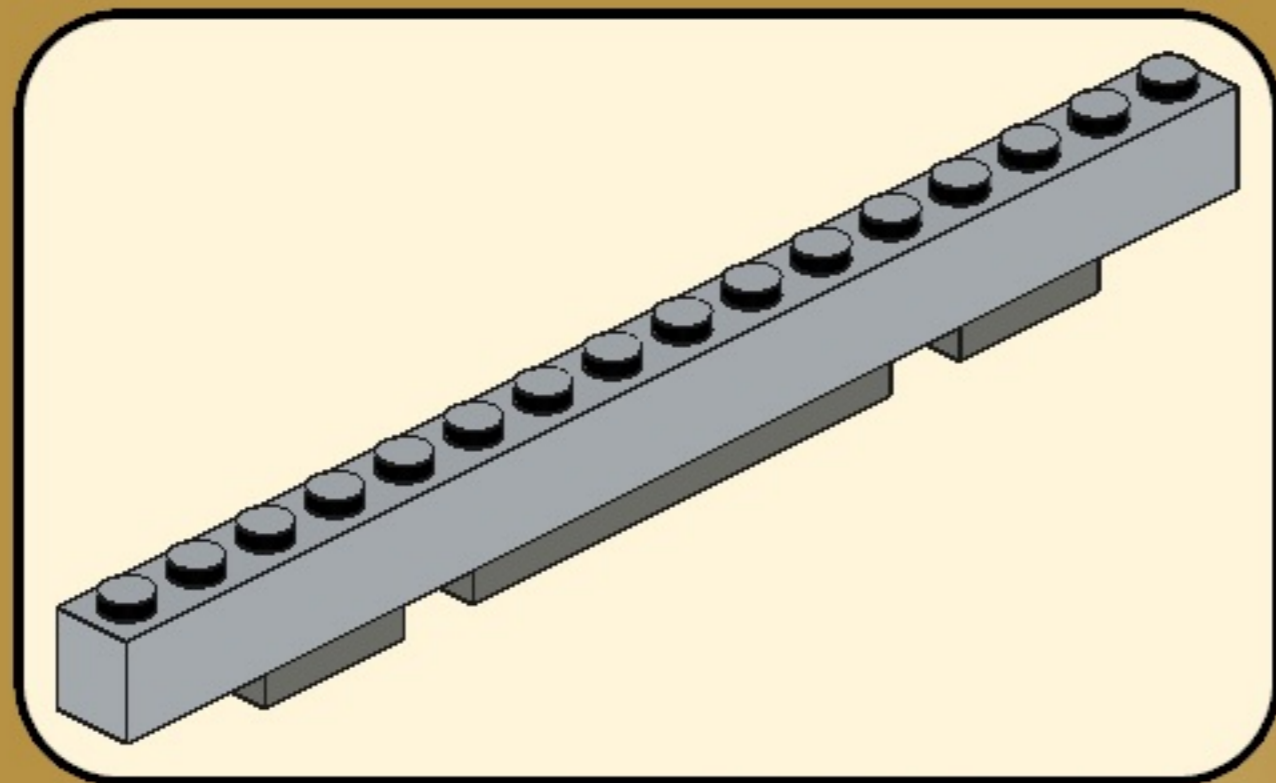
114



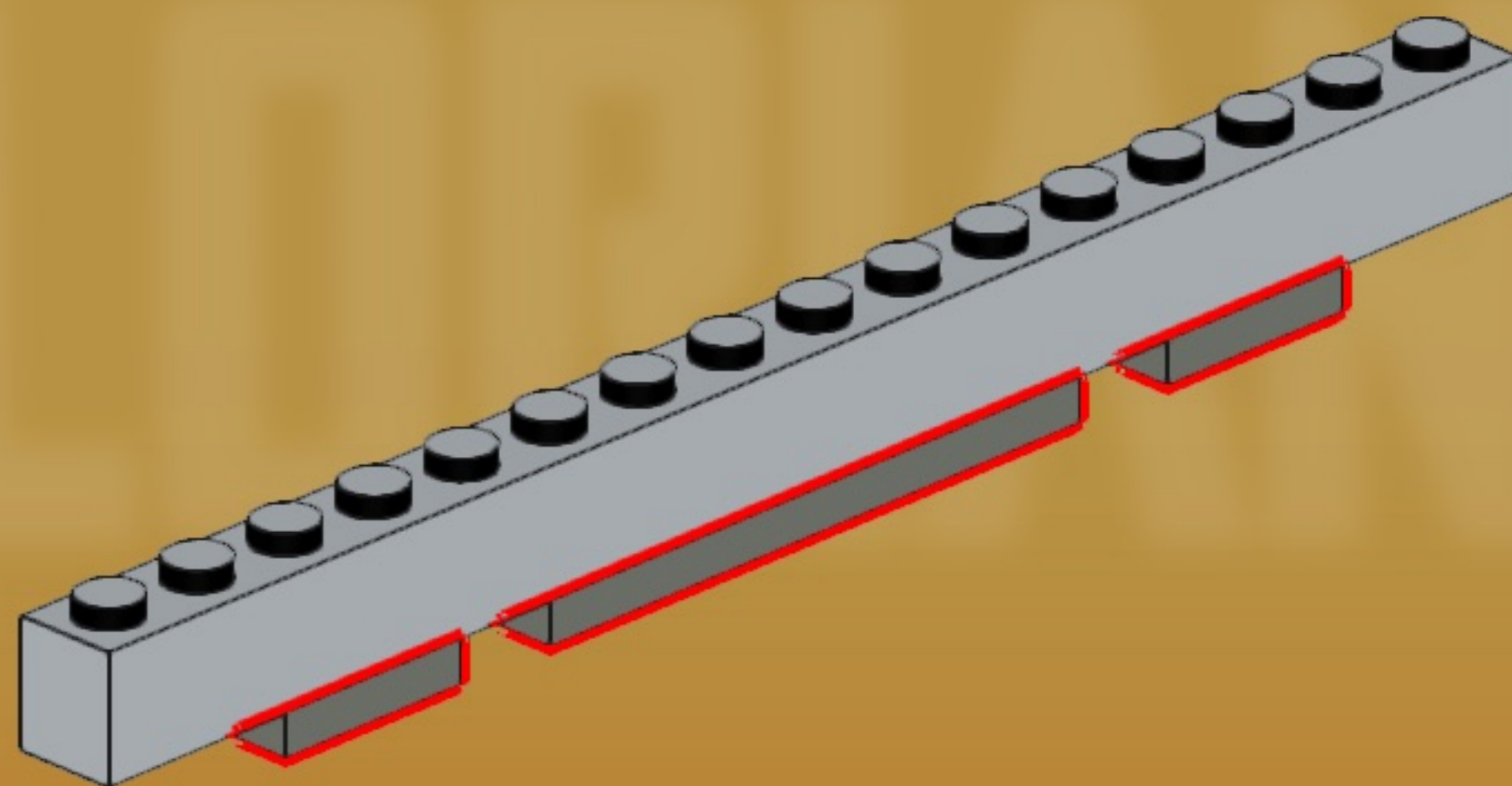
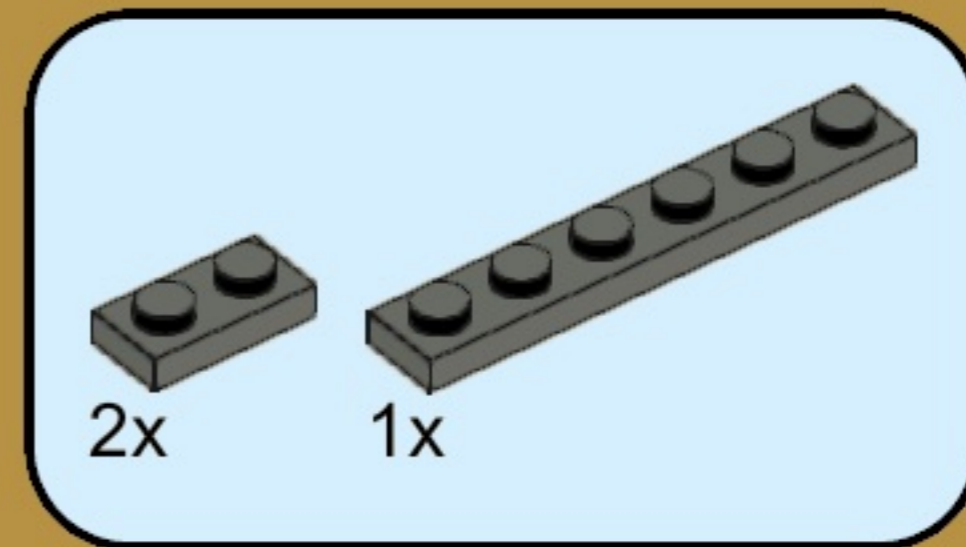
2x



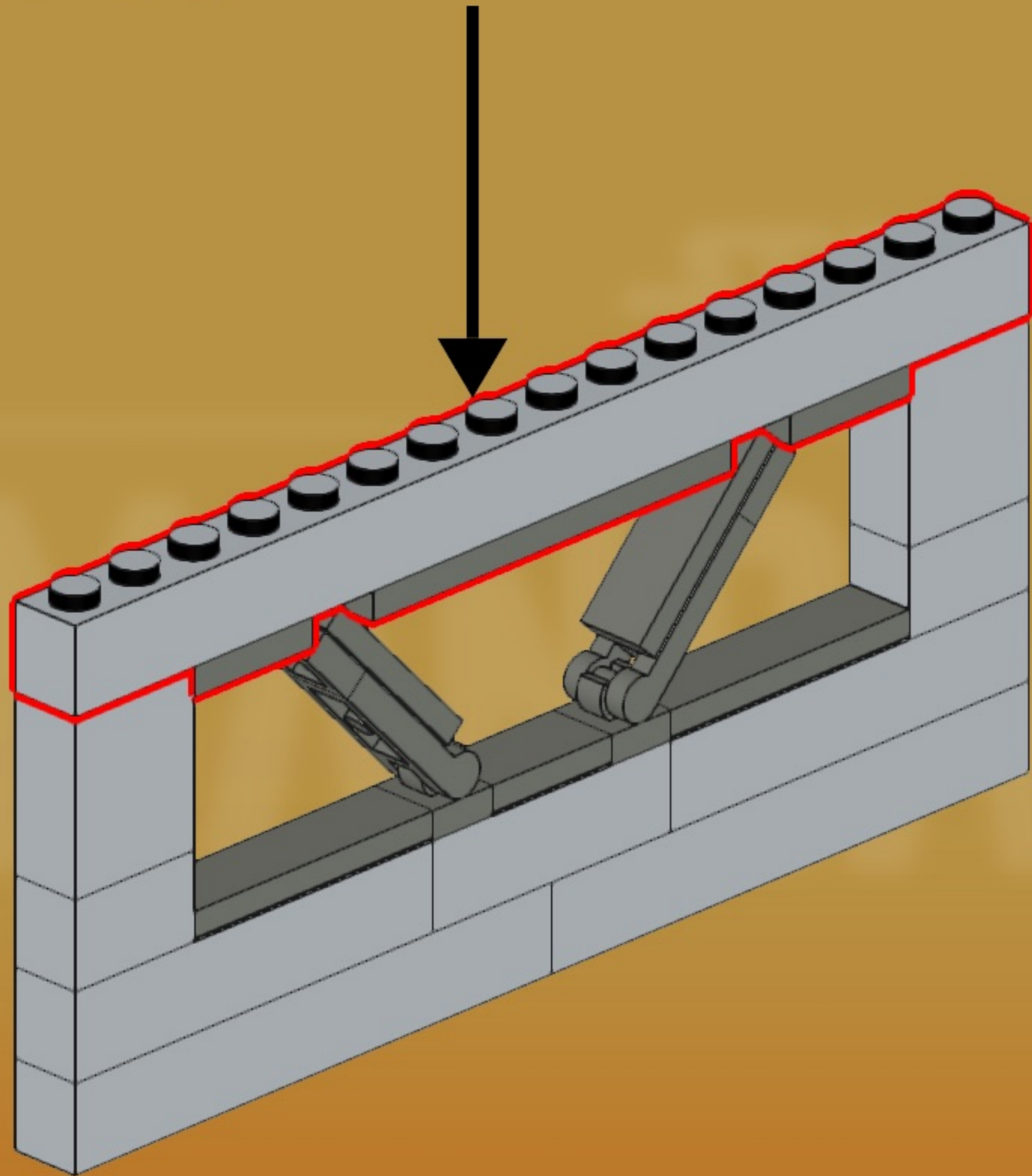
115



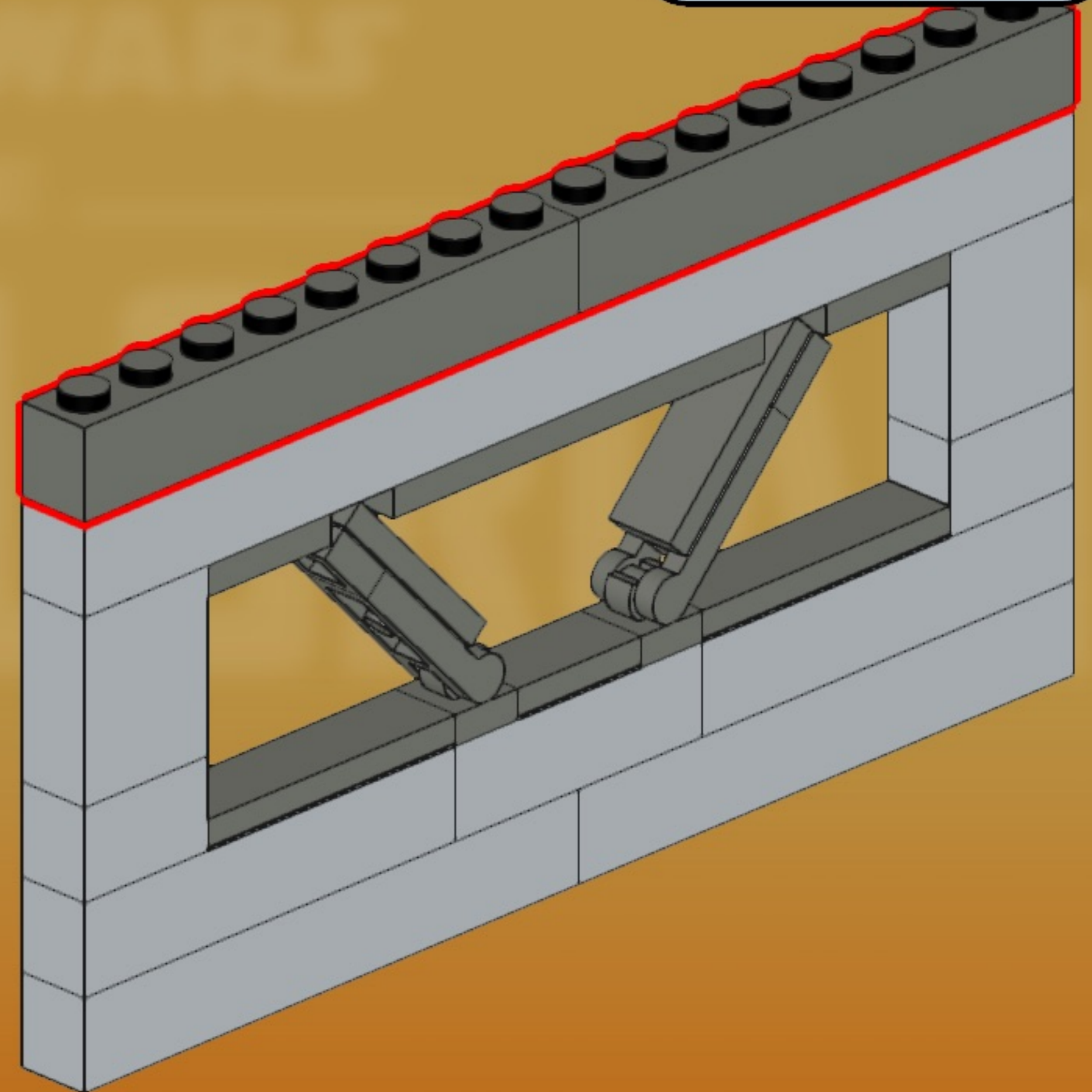
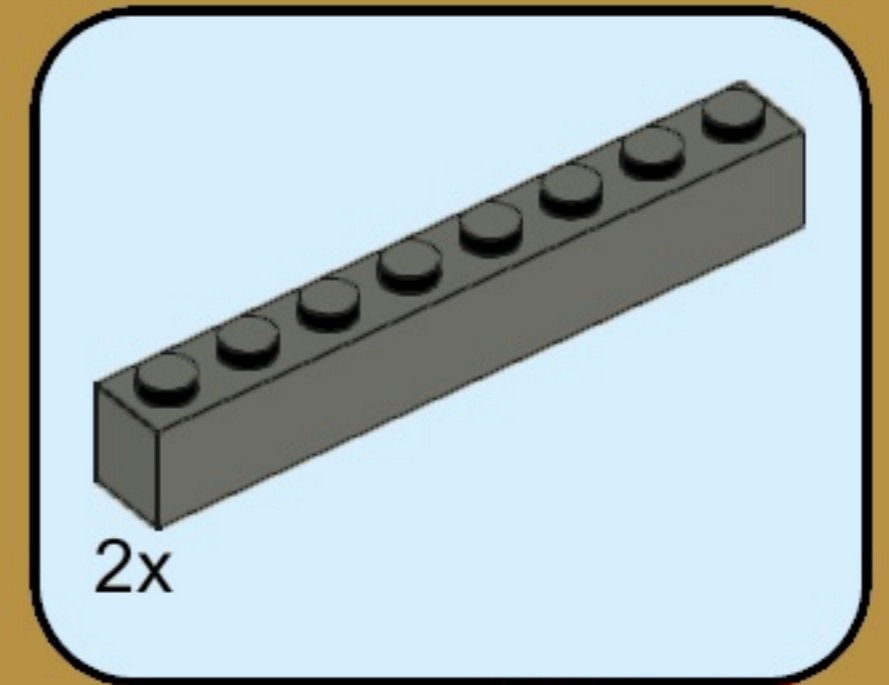
116



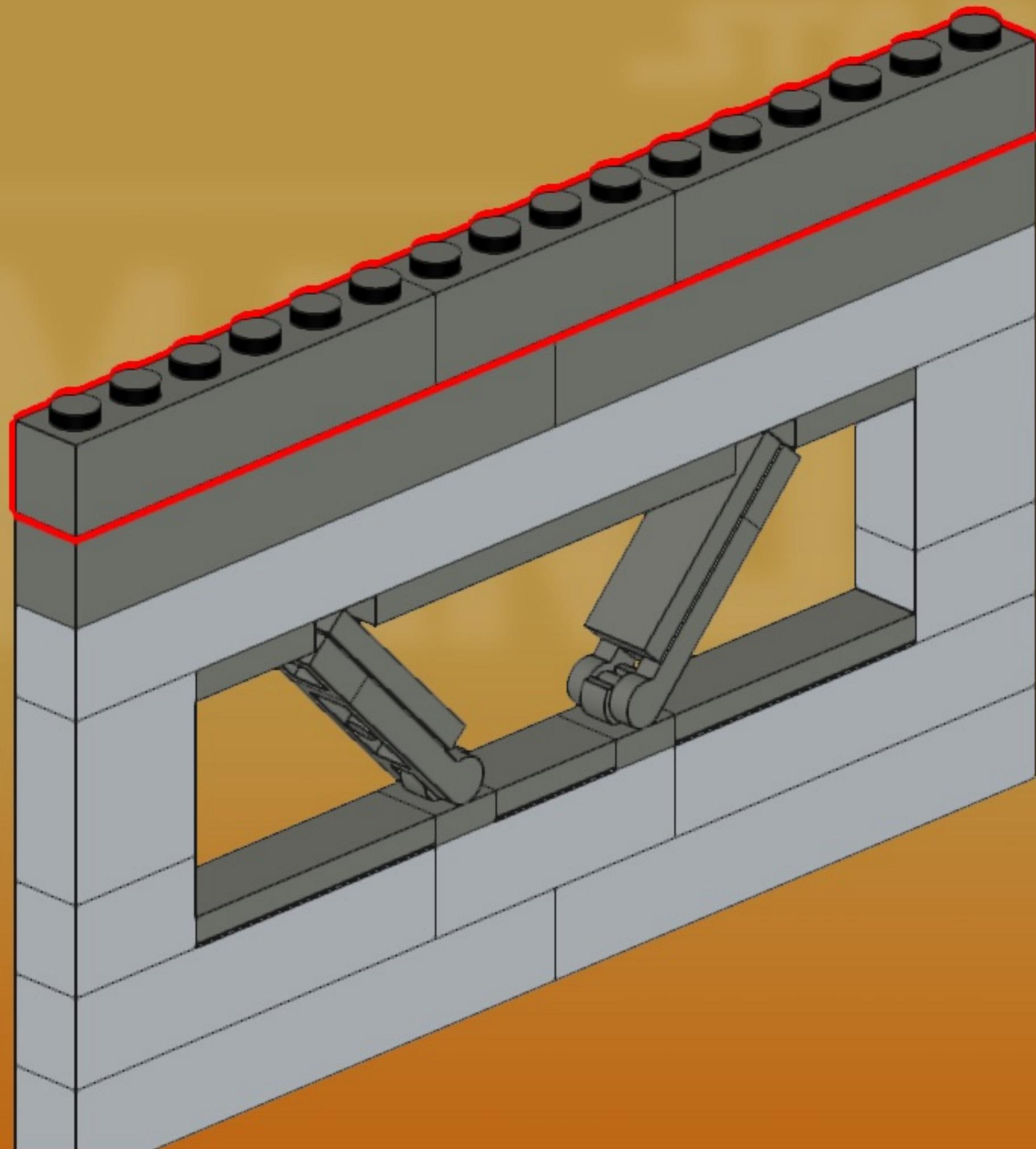
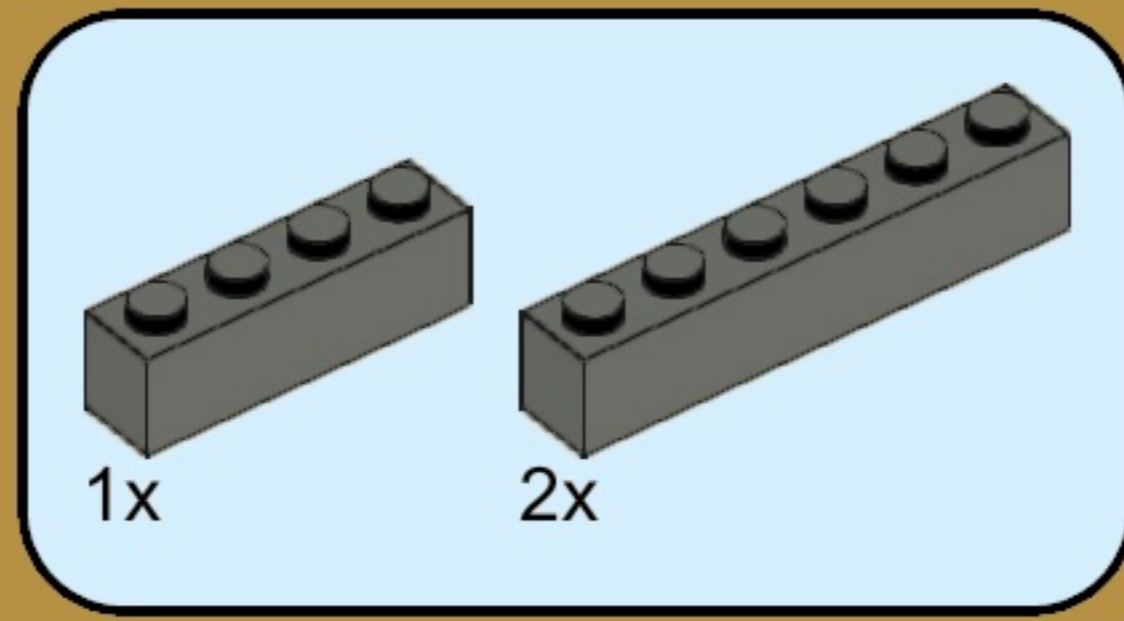
117



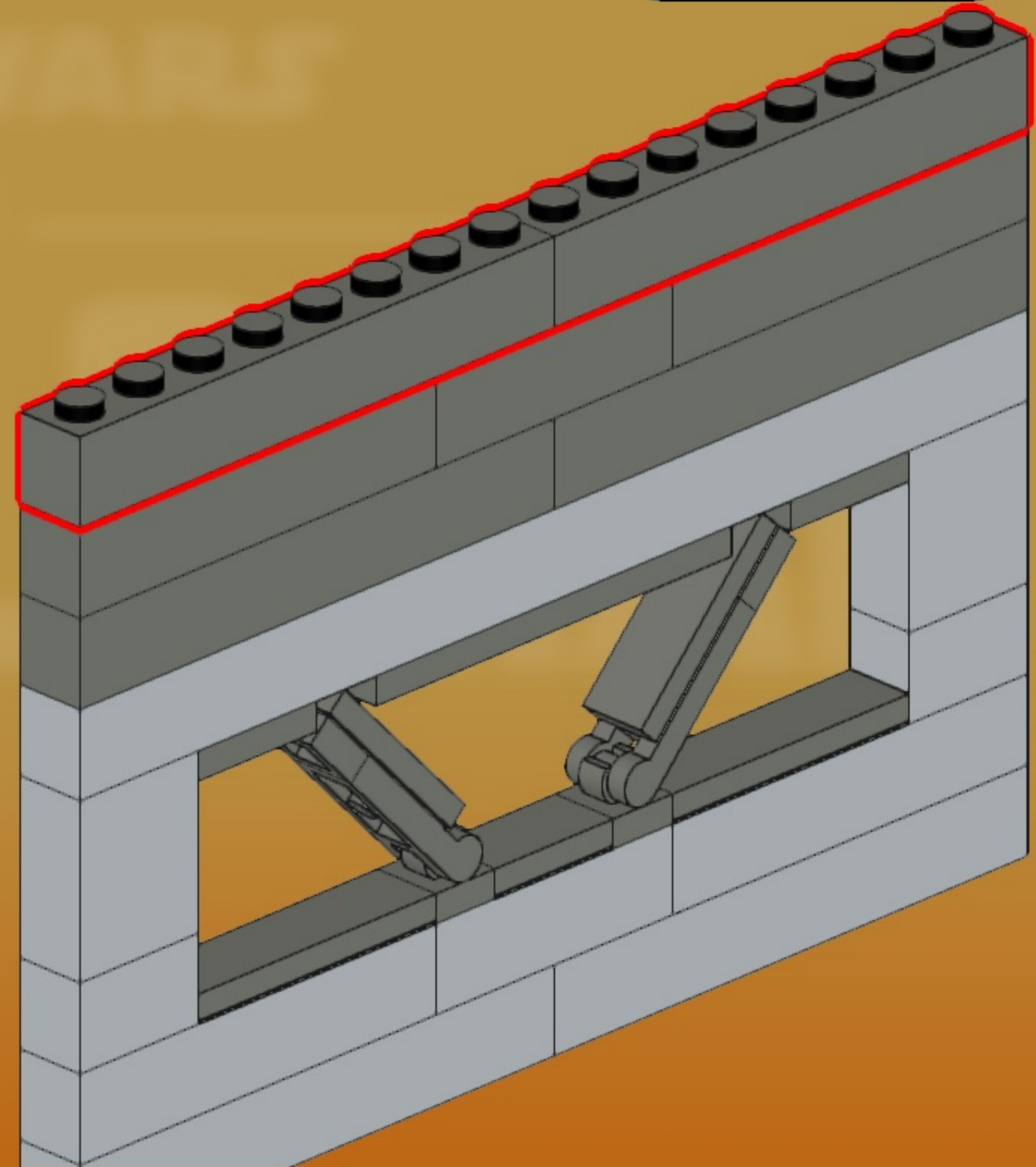
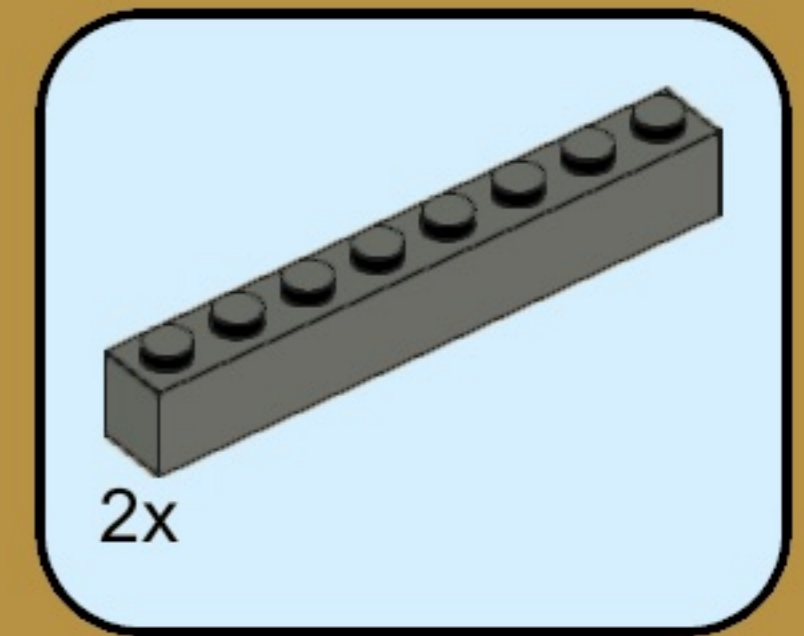
118



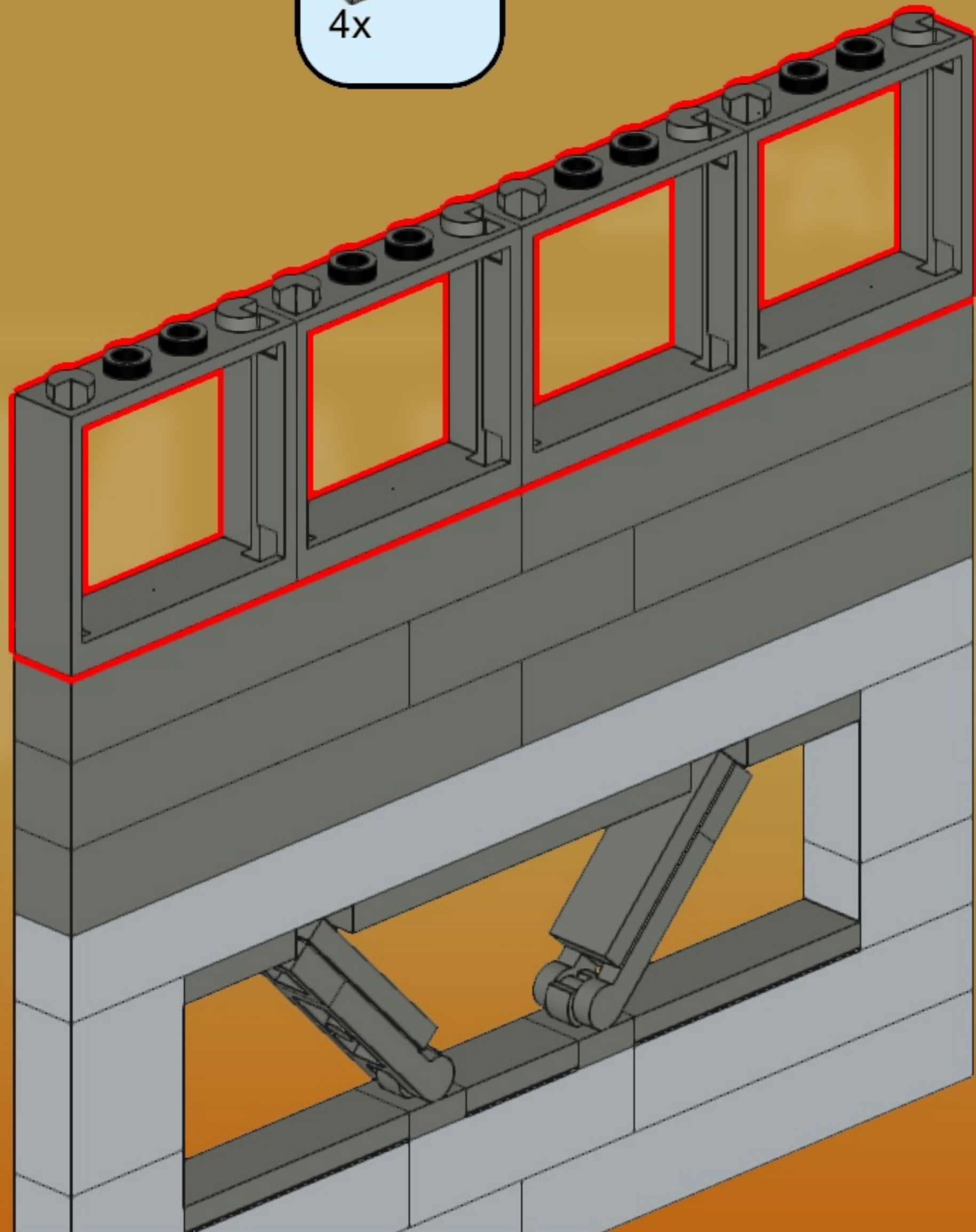
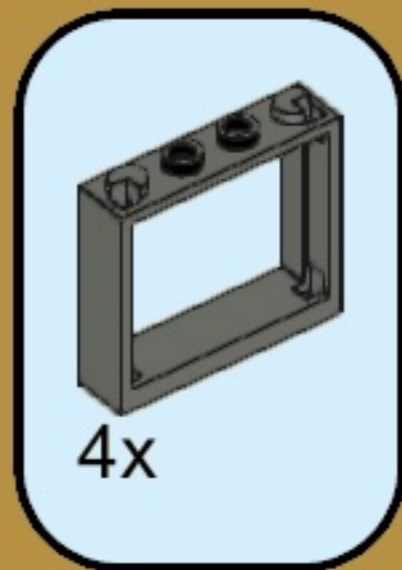
119



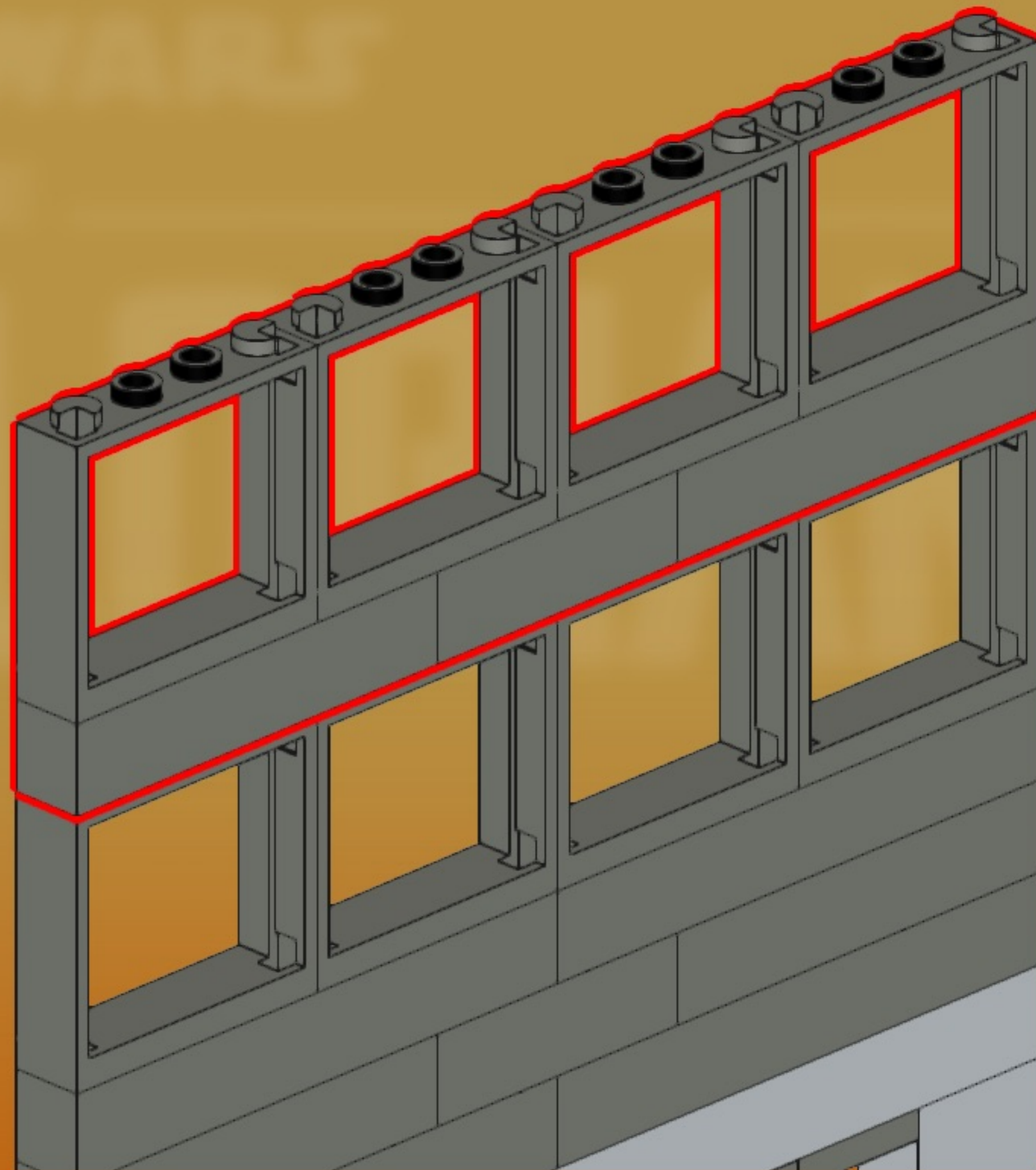
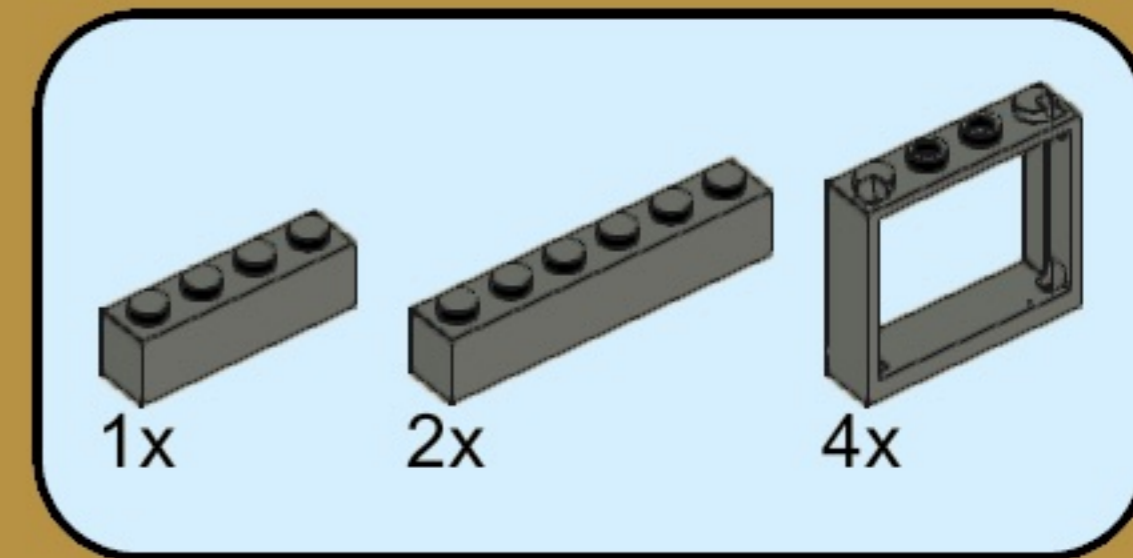
120



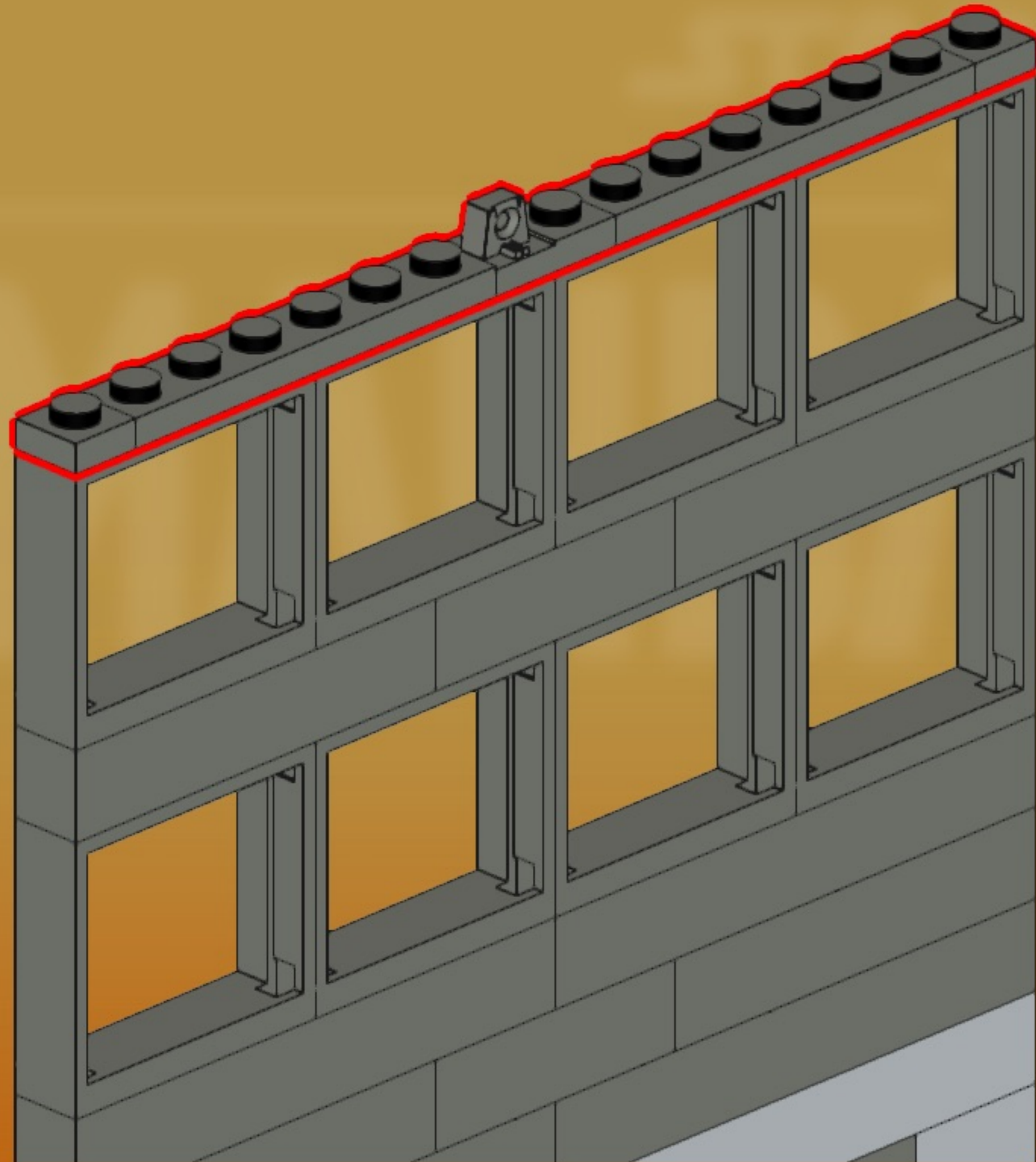
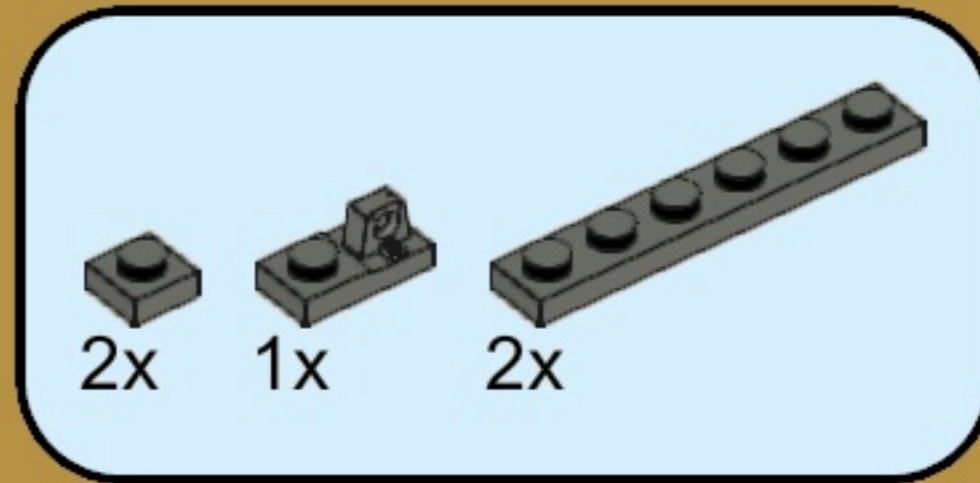
121



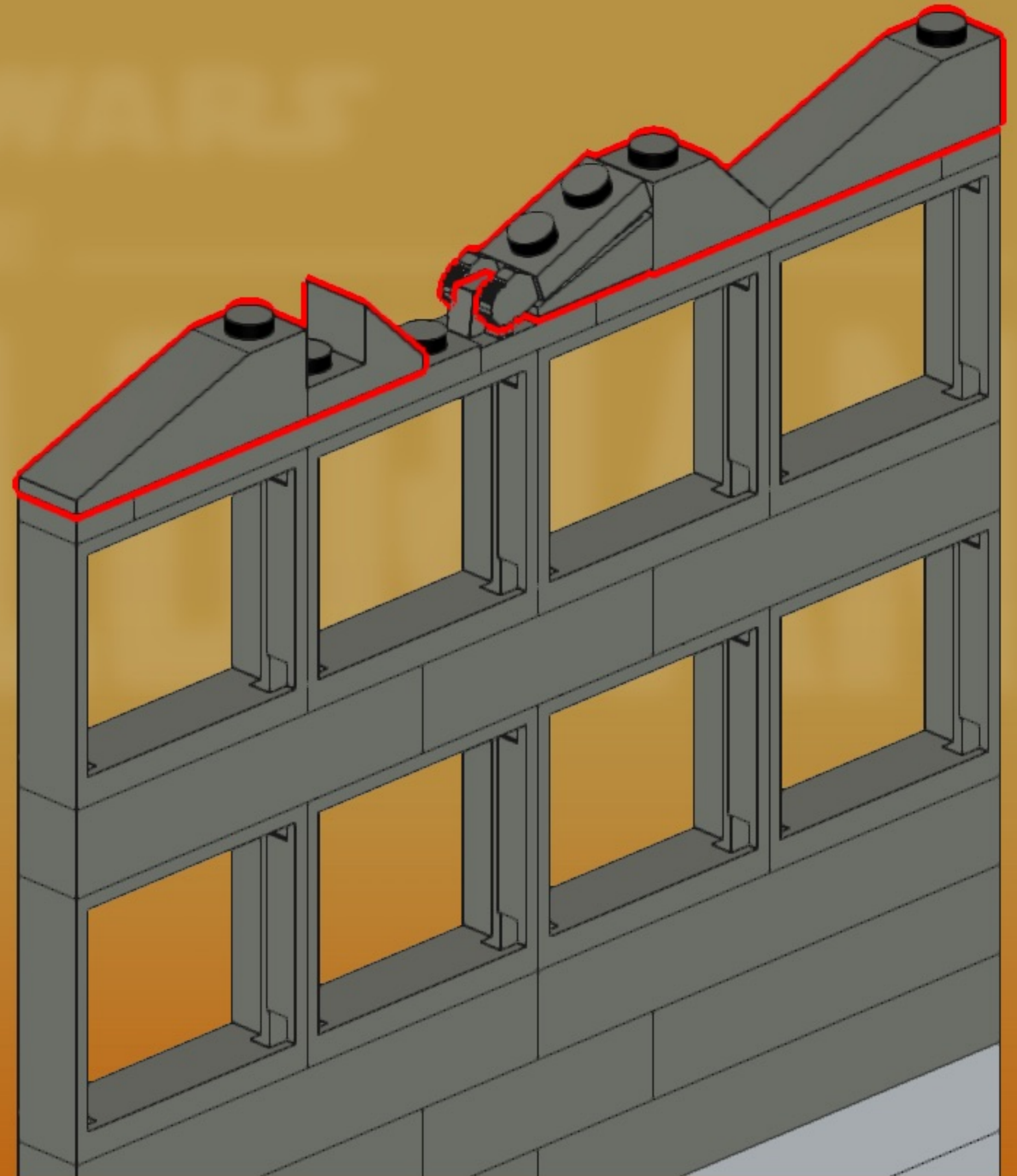
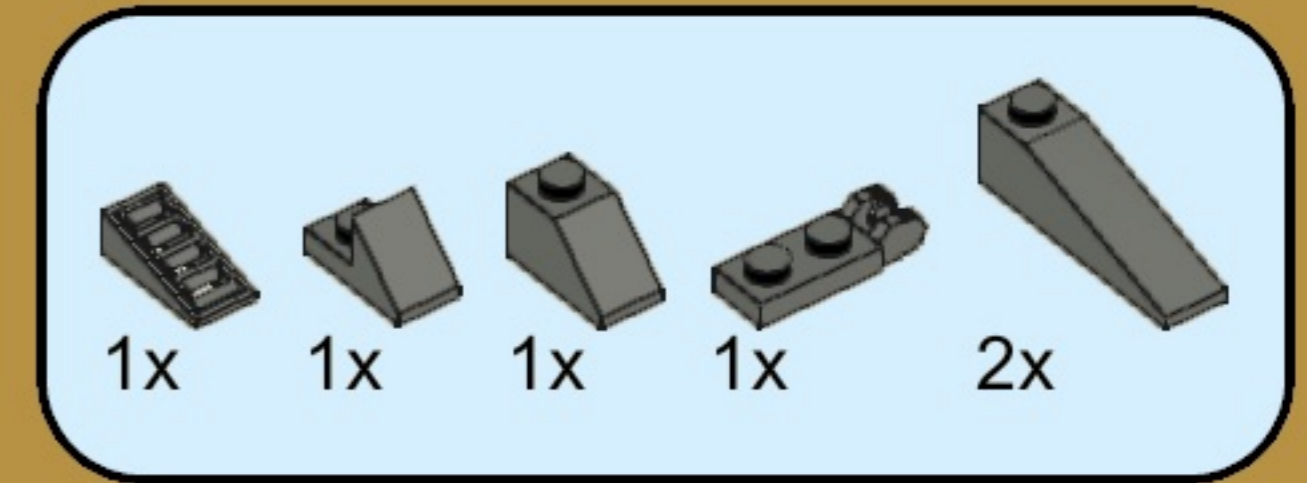
122



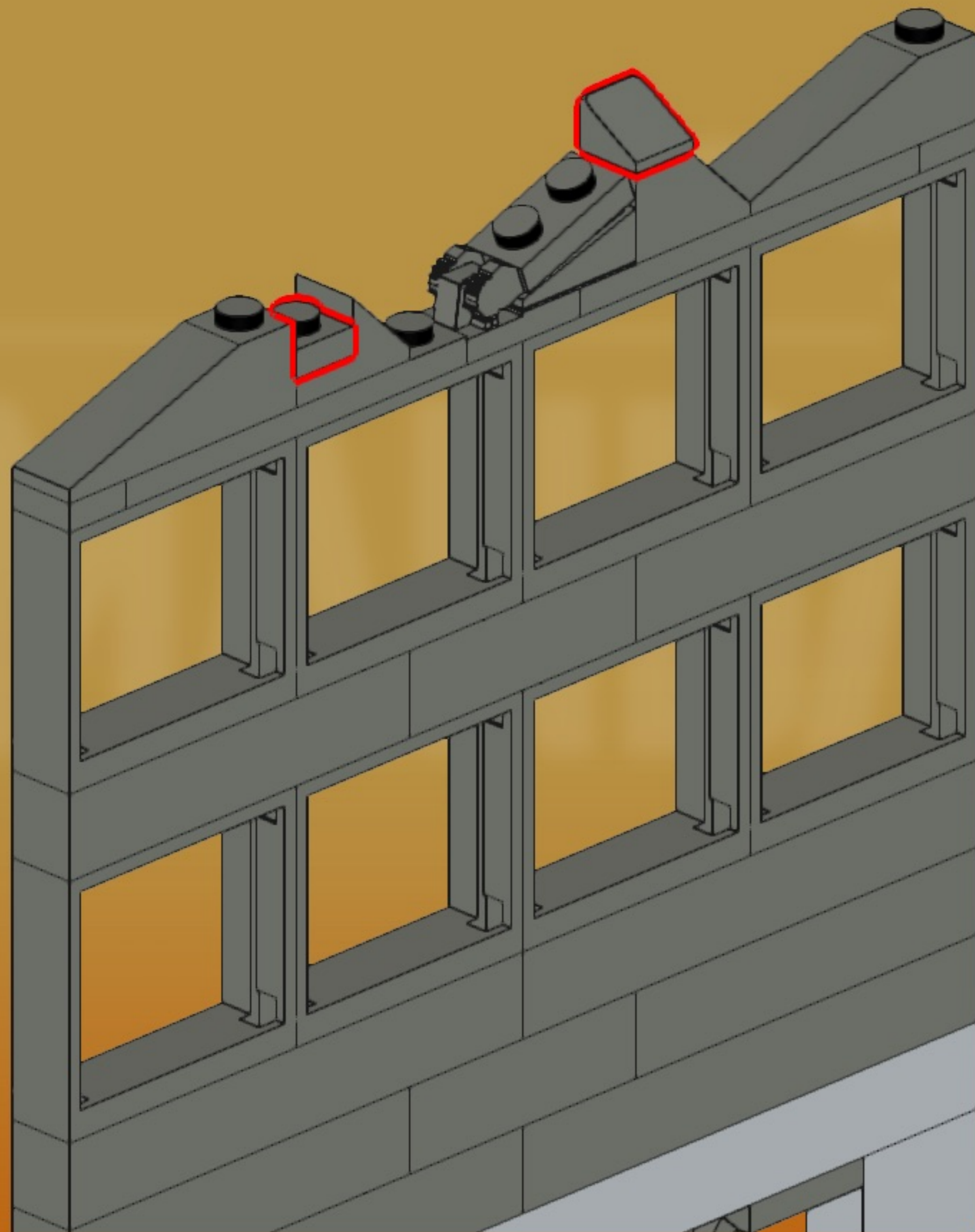
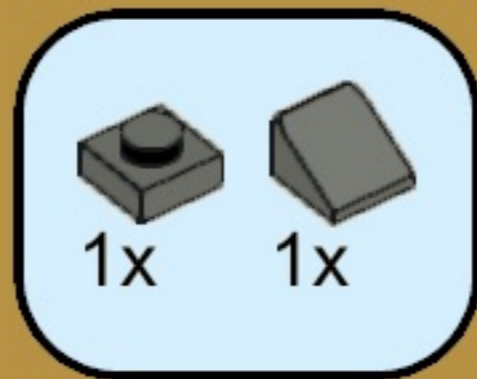
123



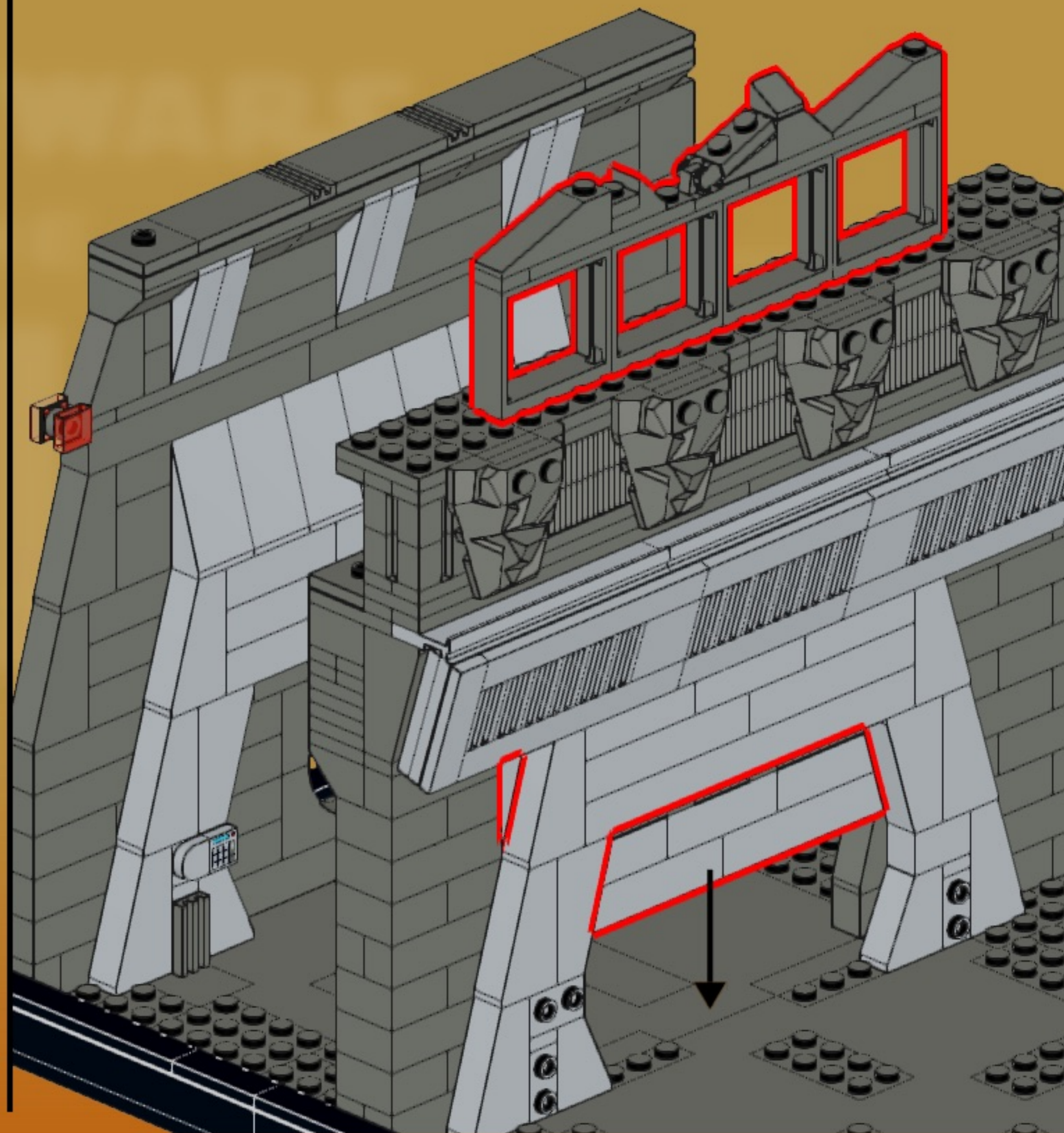
124



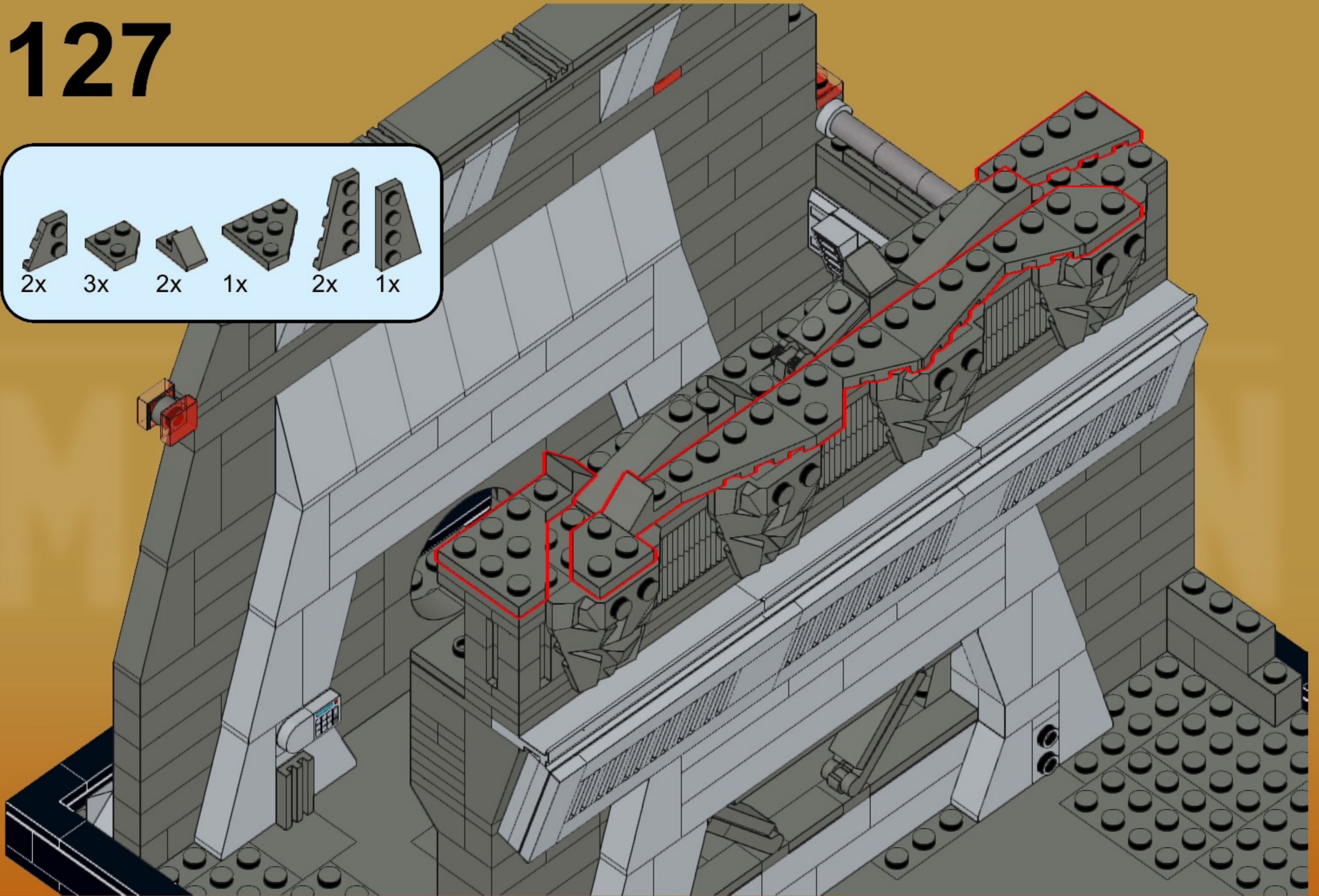
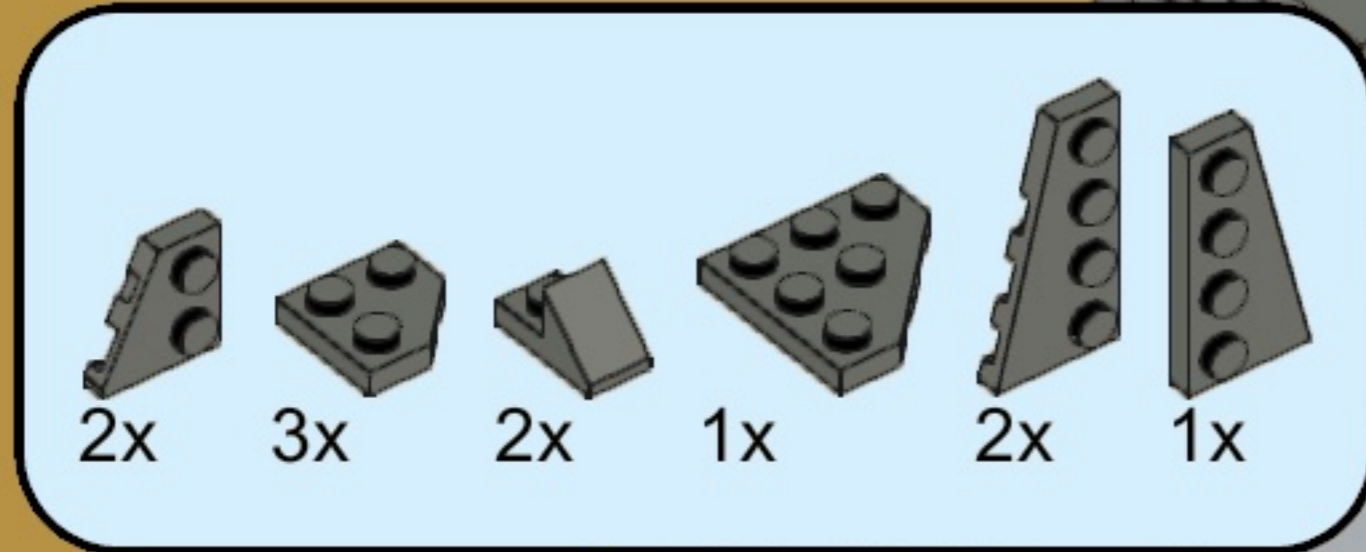
125



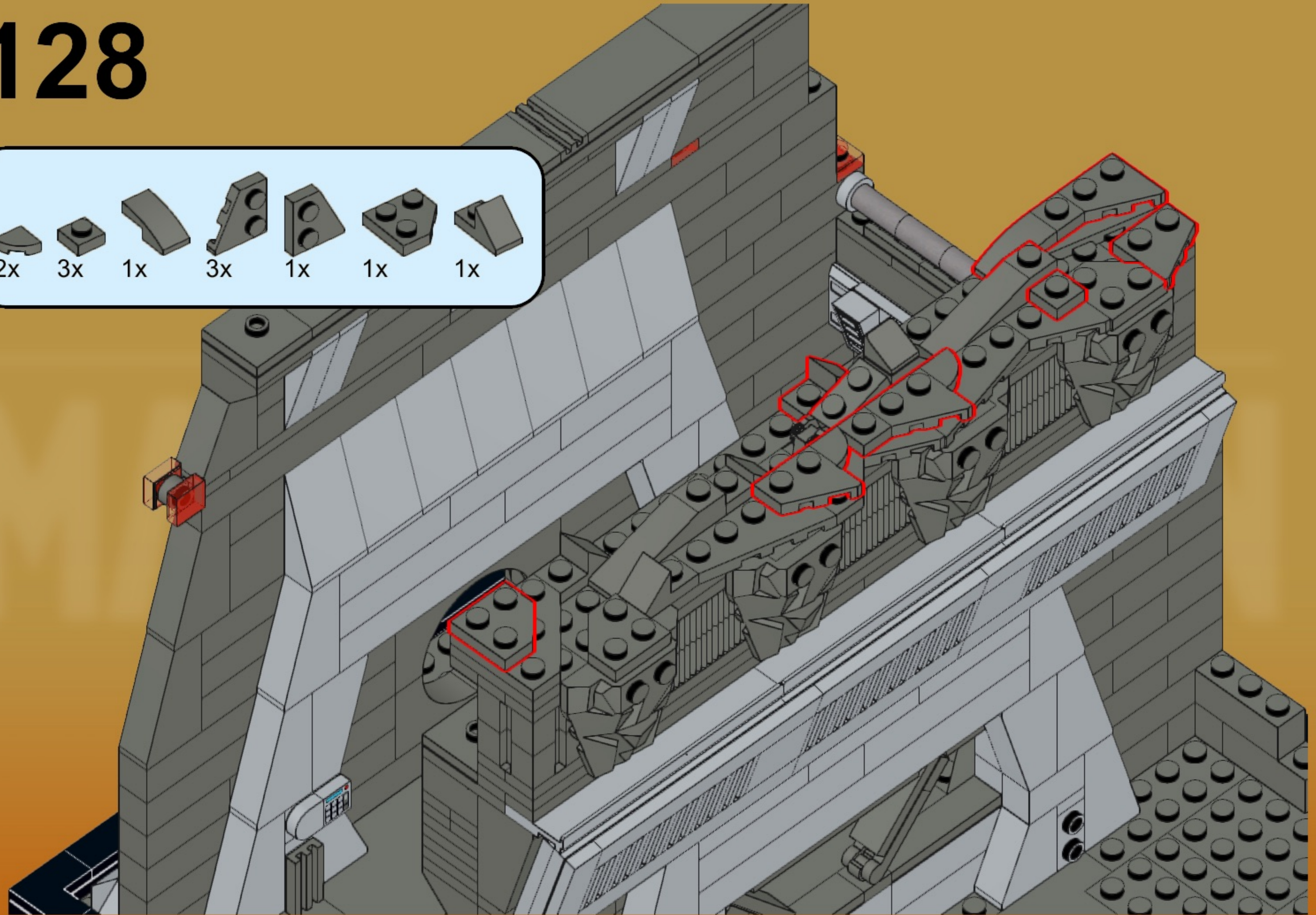
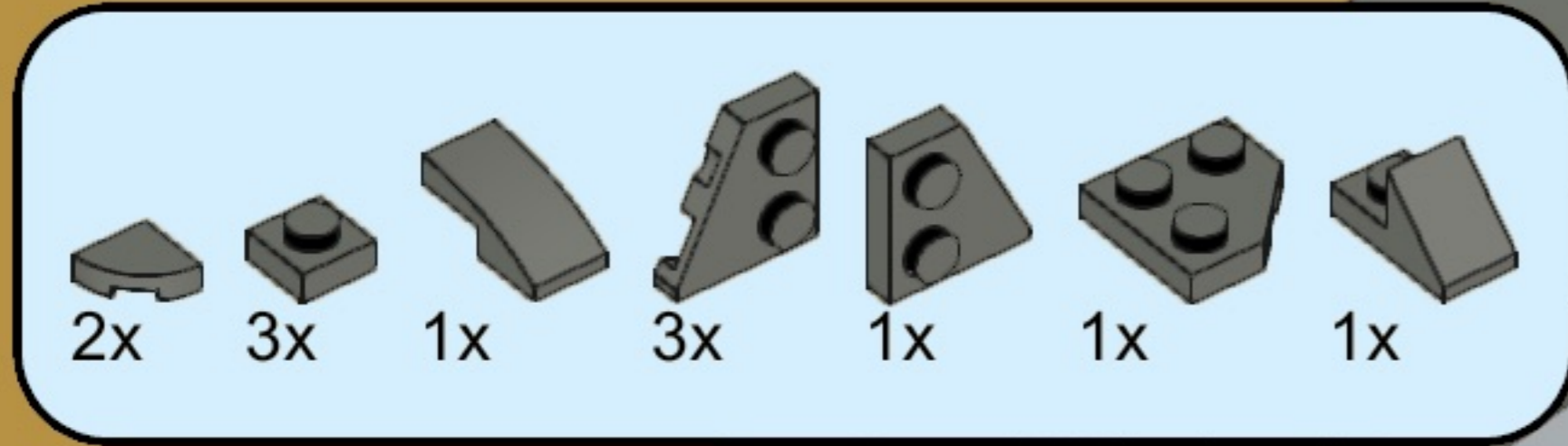
126



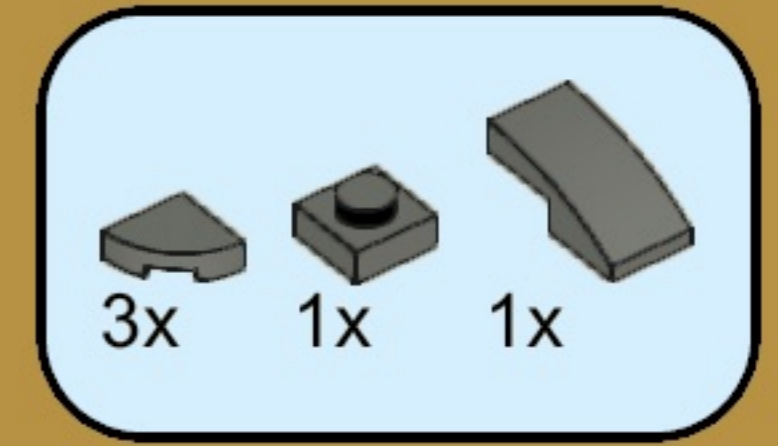
127



128

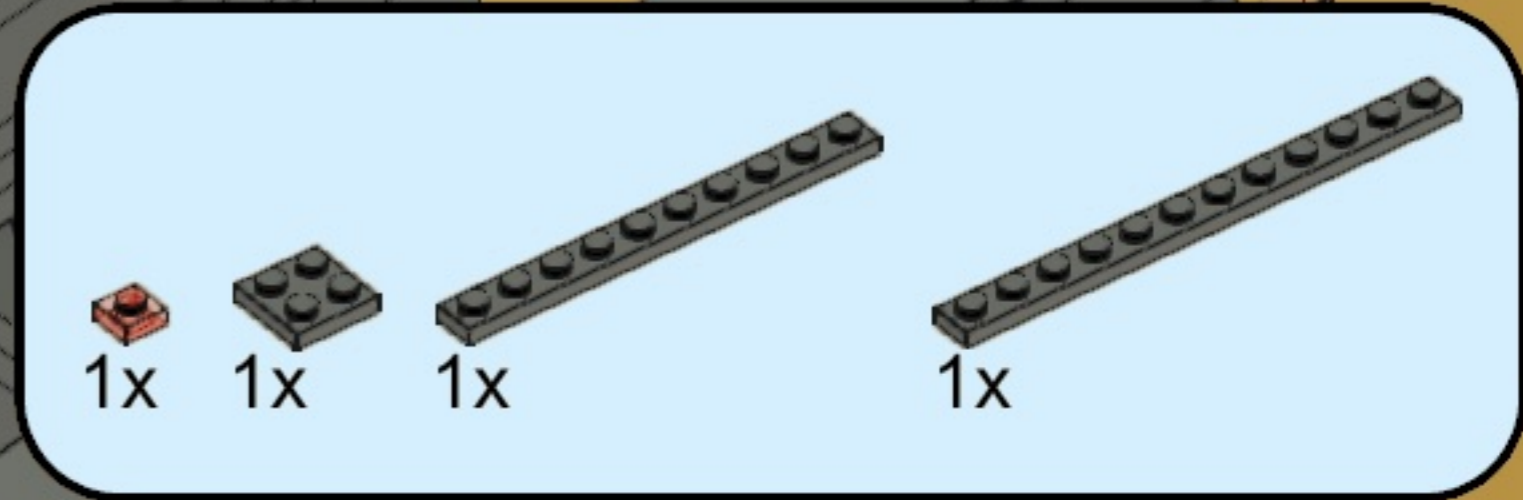


129

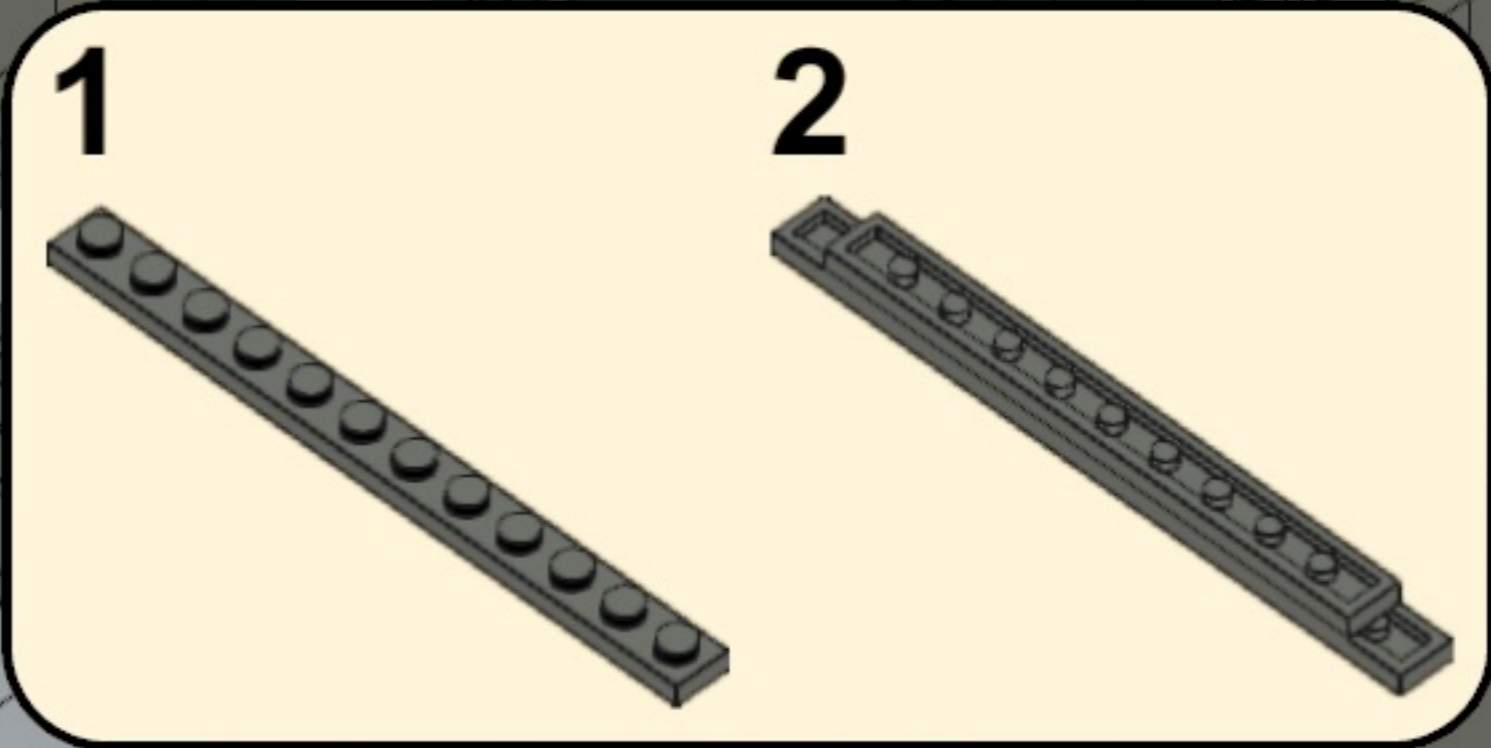


130

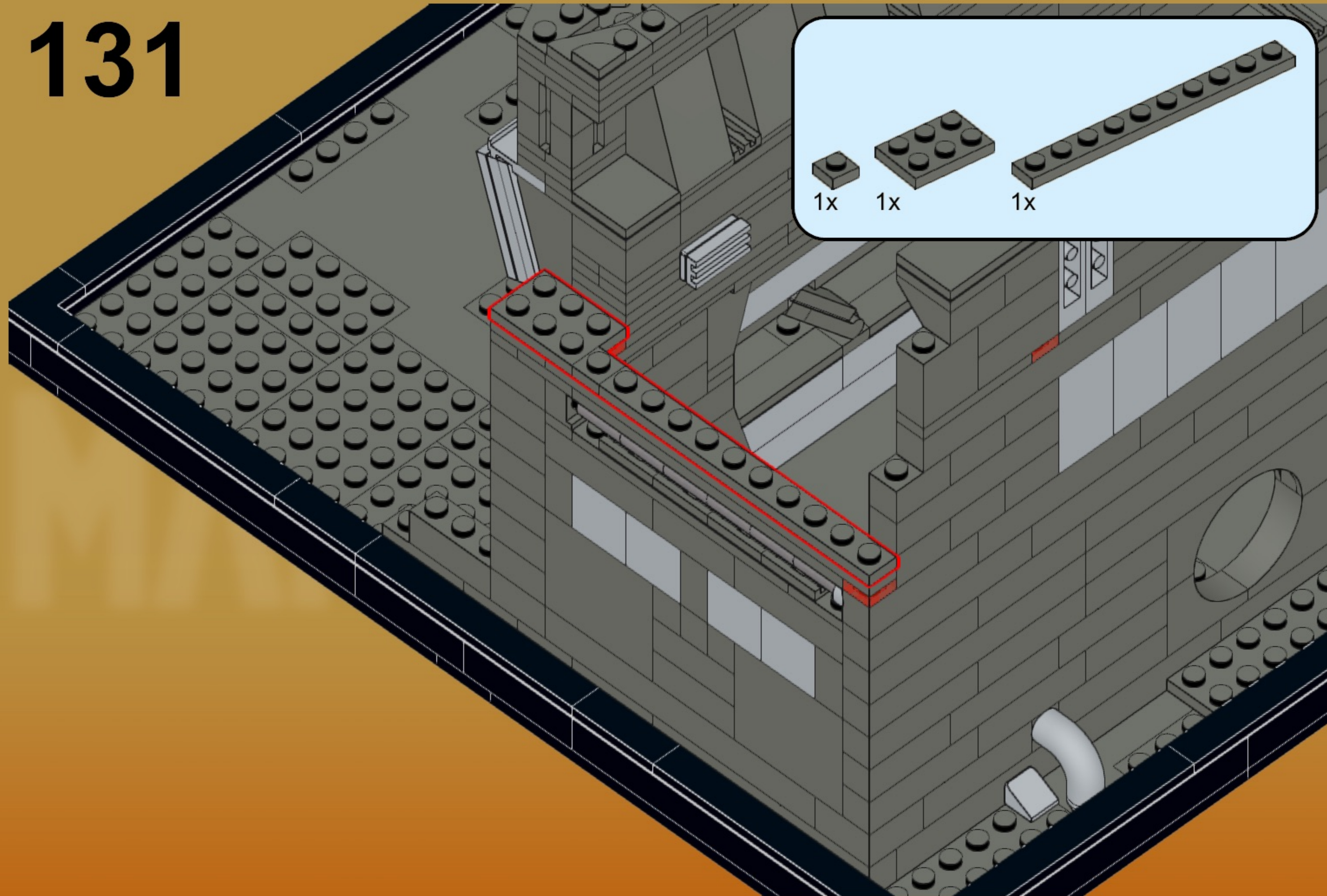
1x 1x 1x 1x



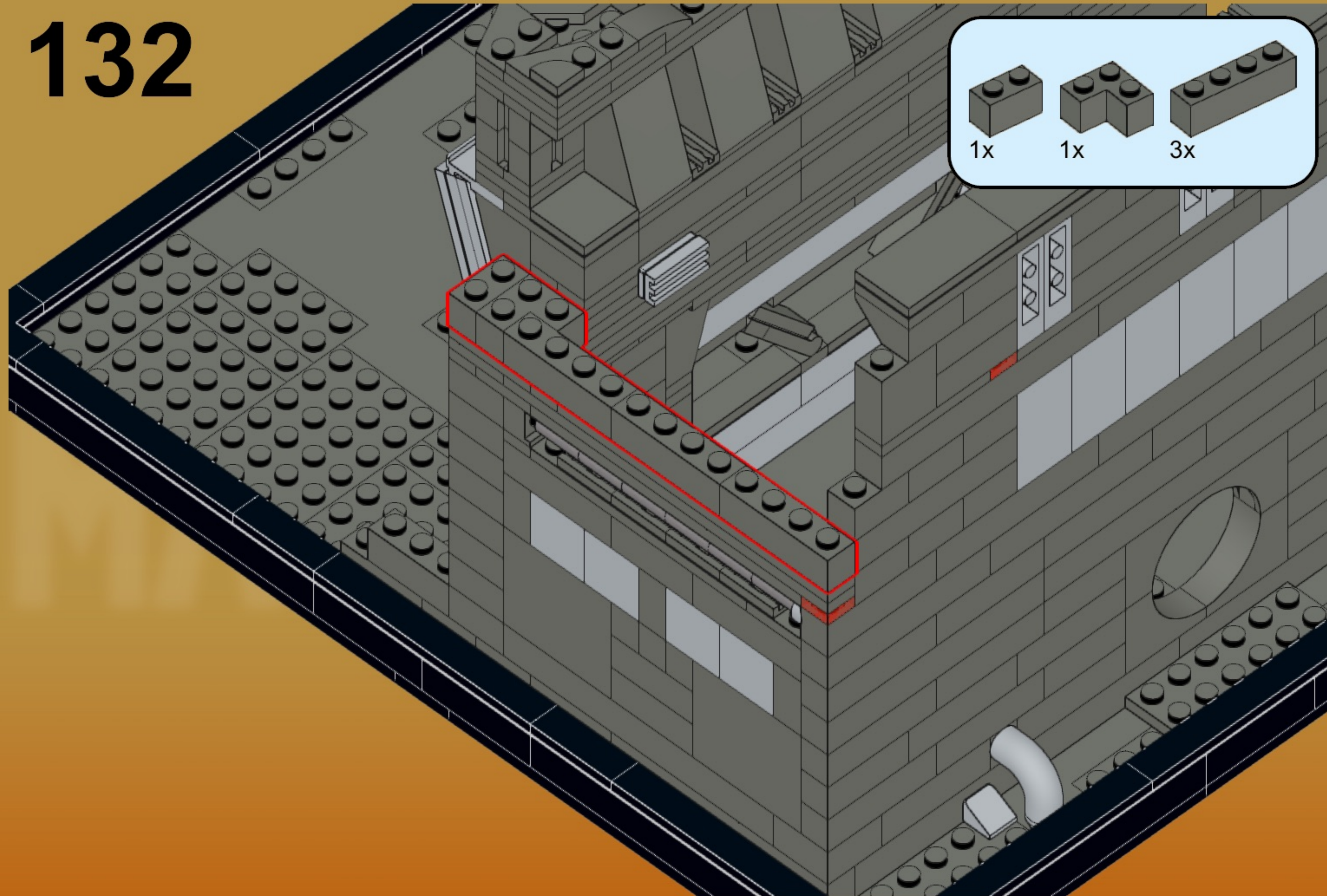
1 2



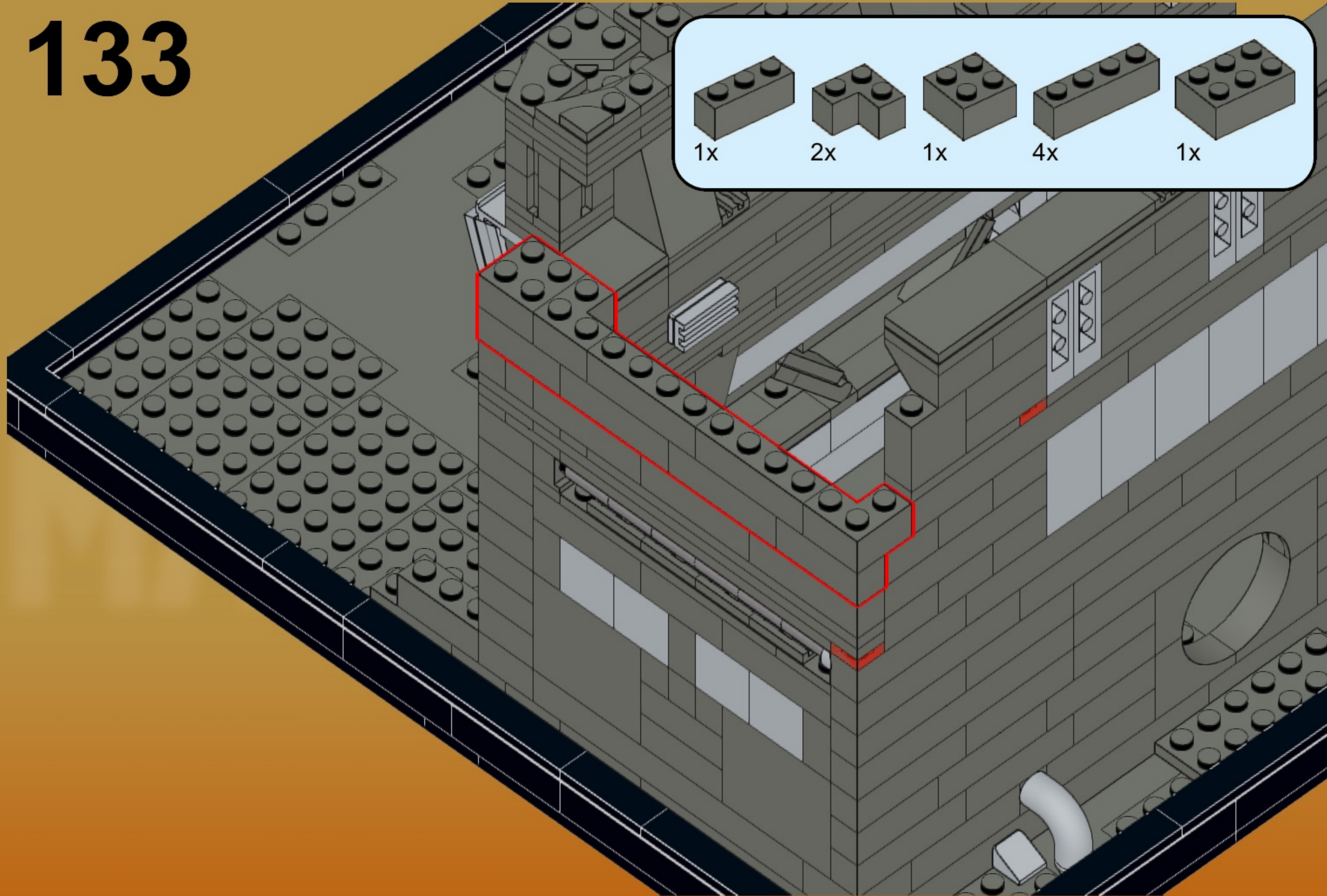
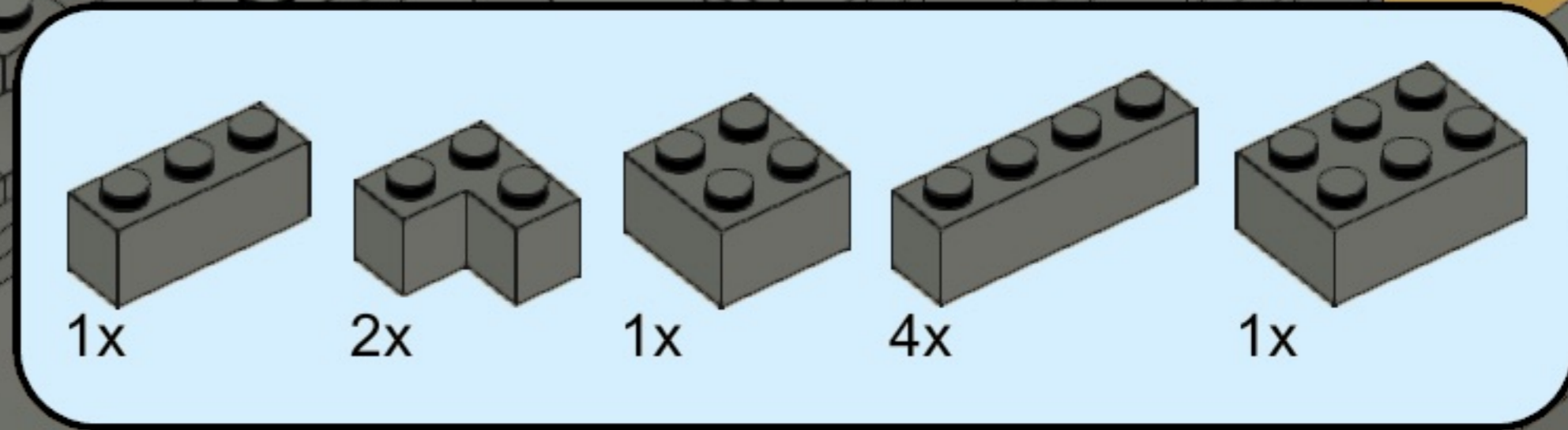
131



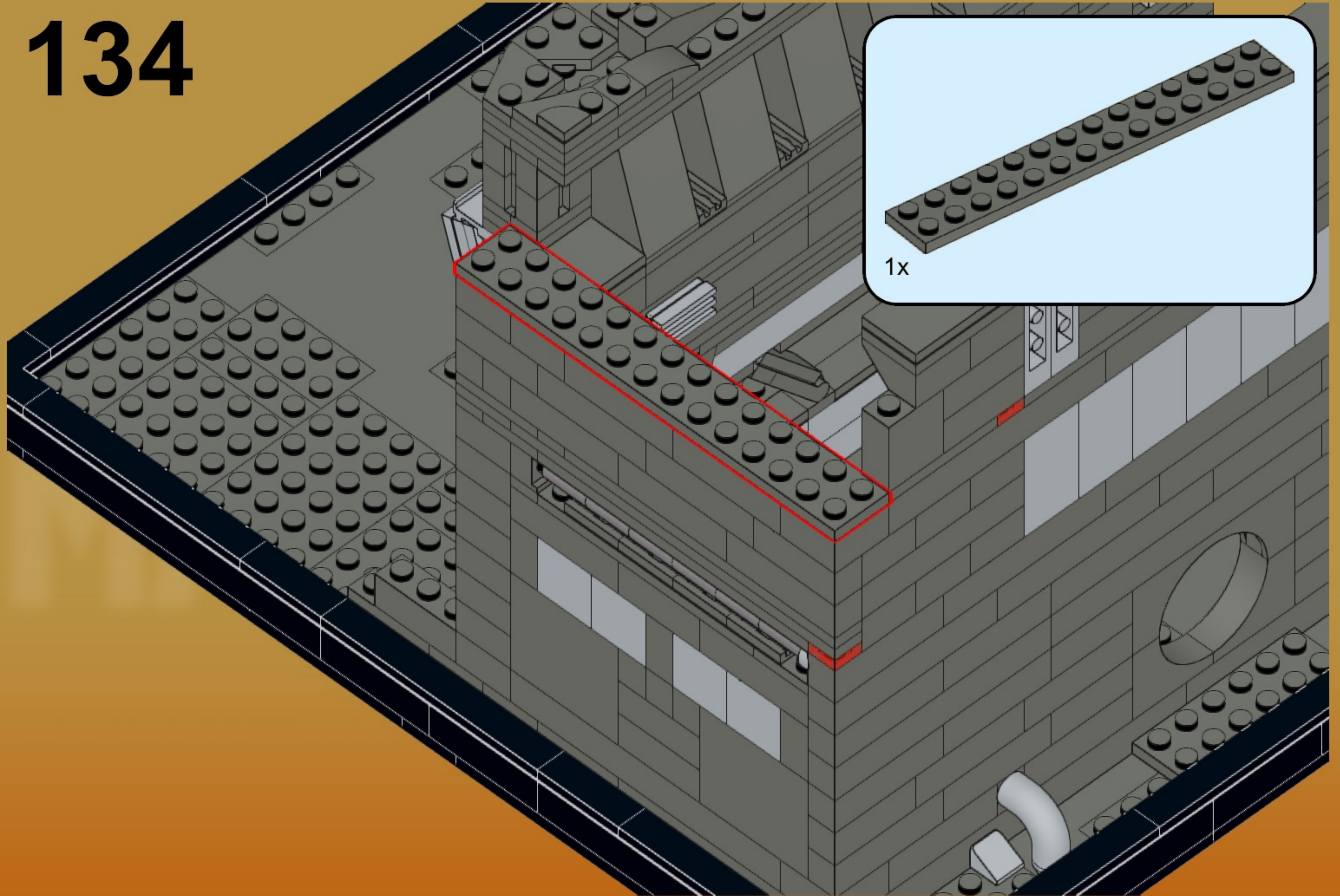
132



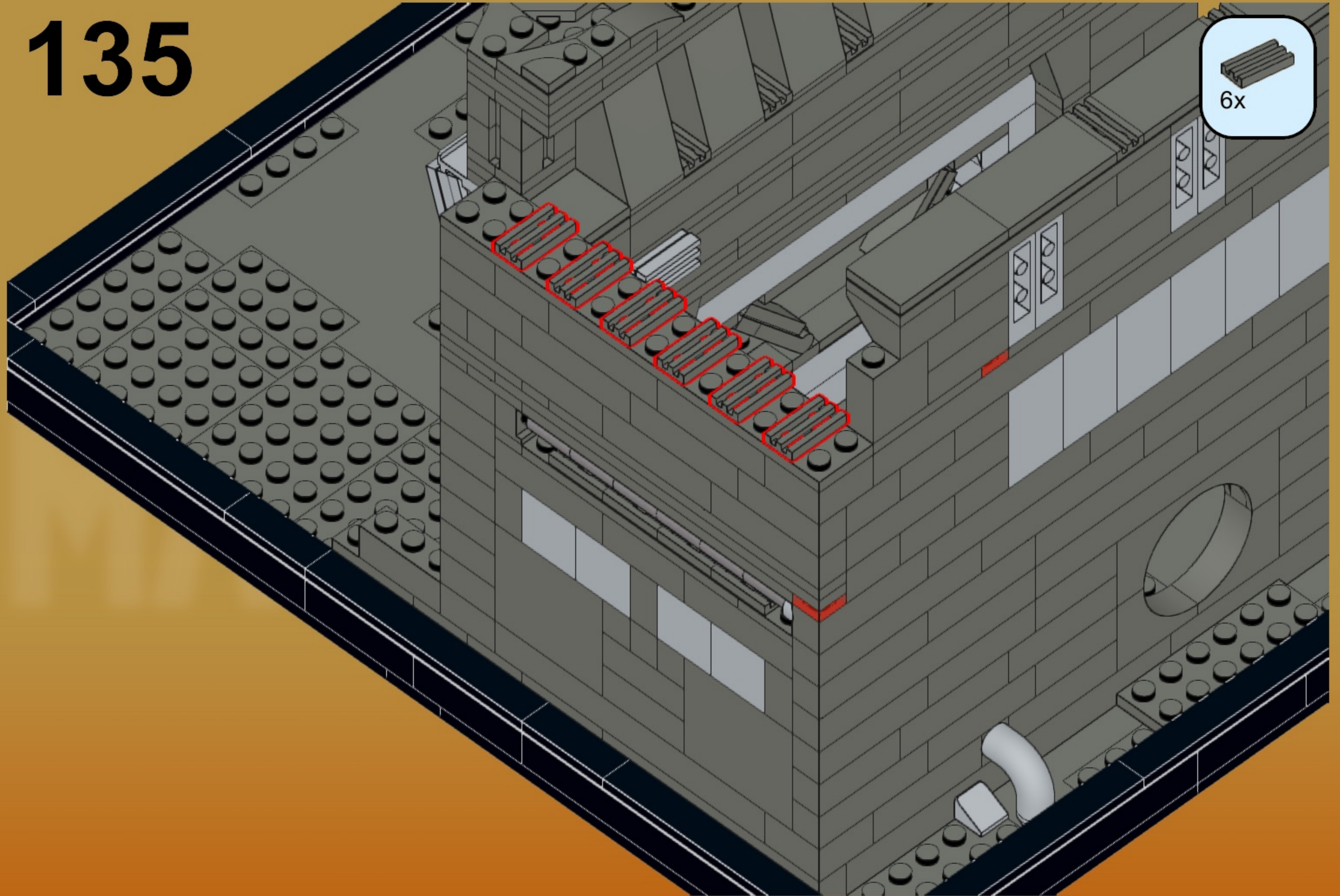
133



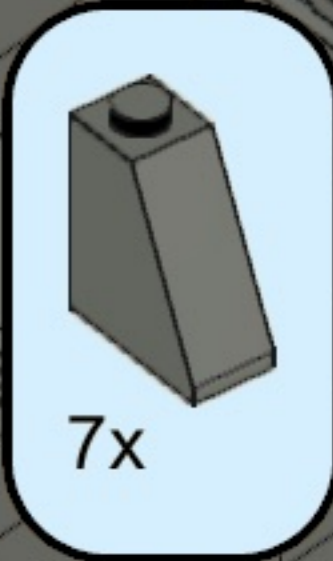
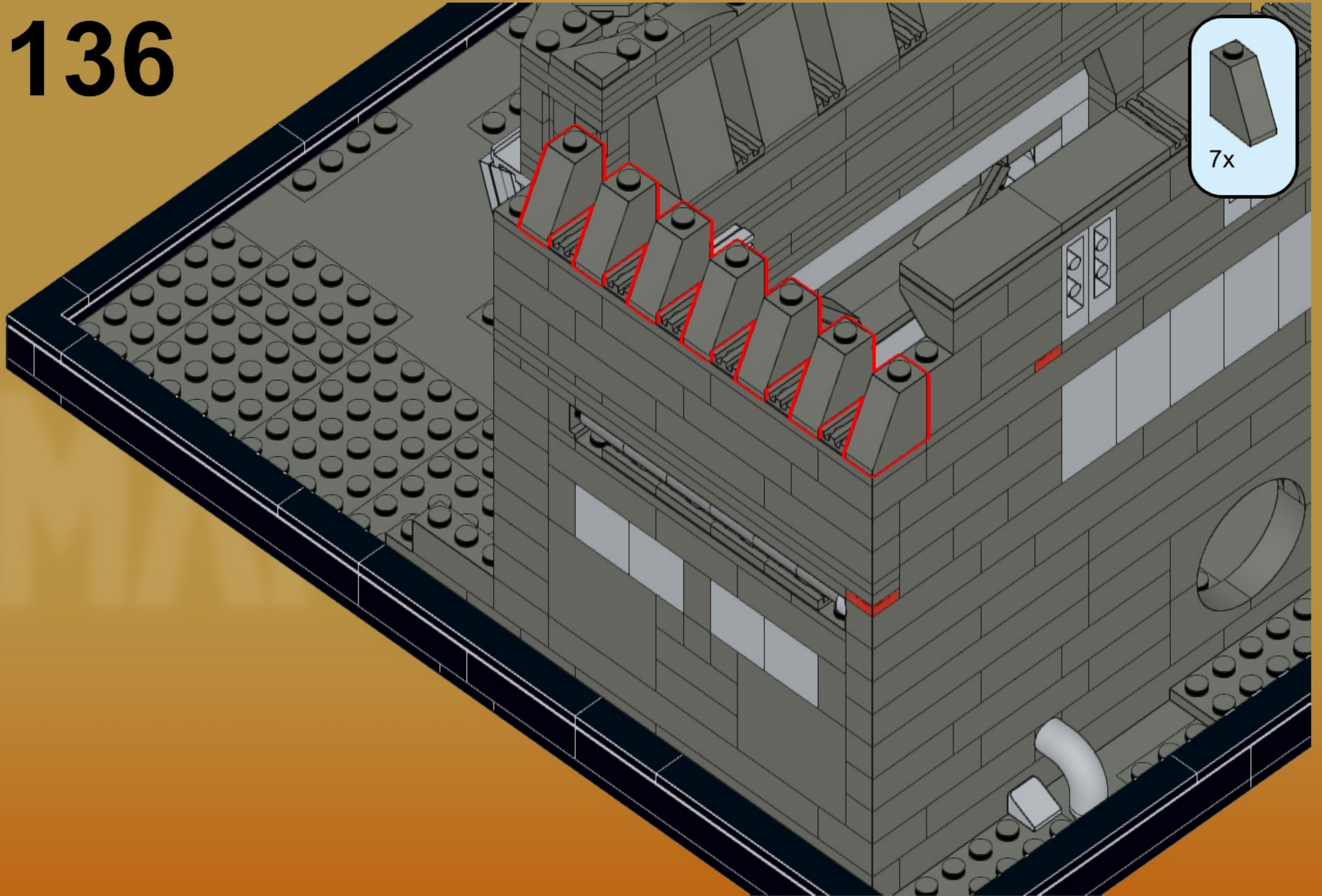
134



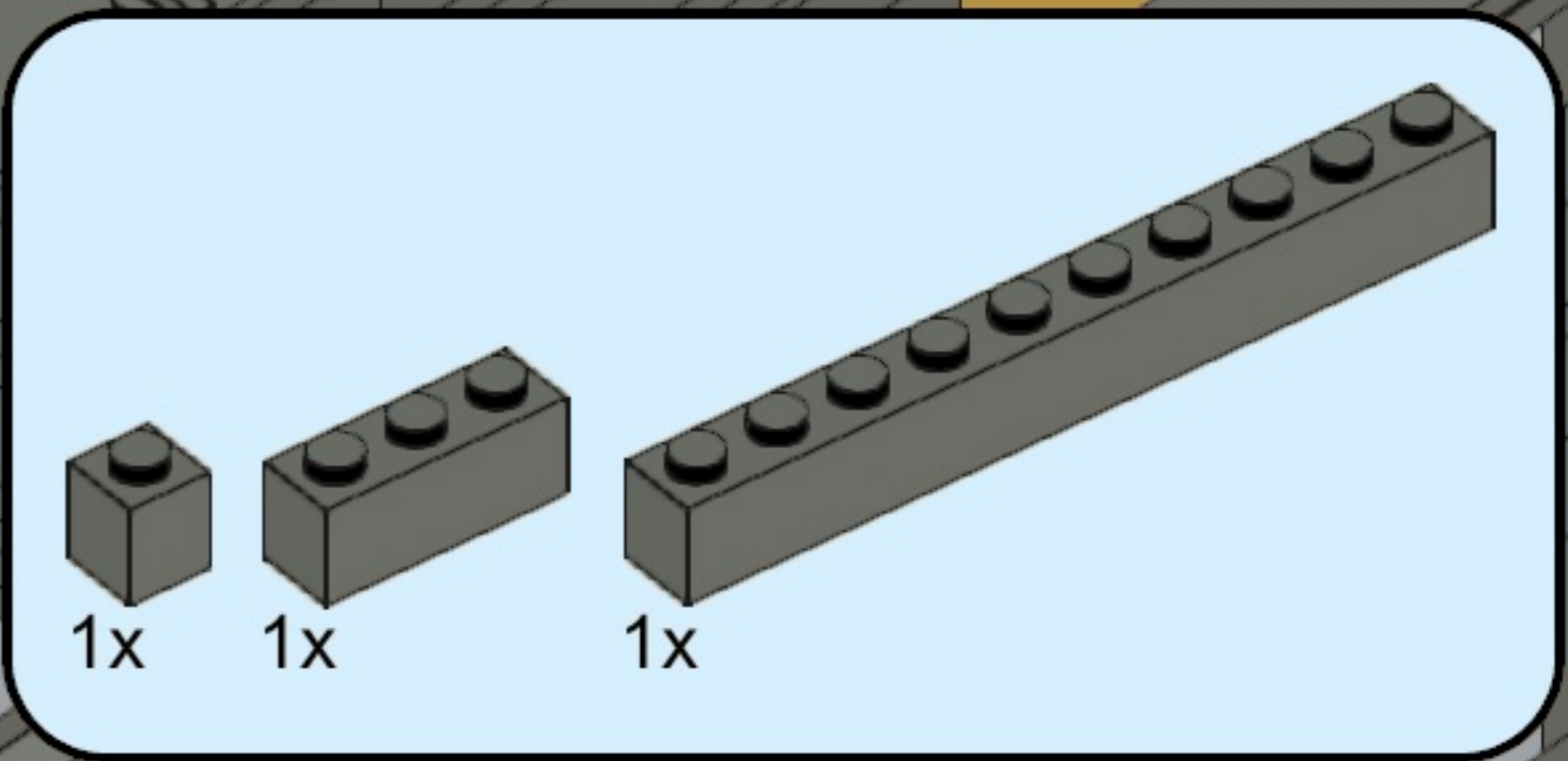
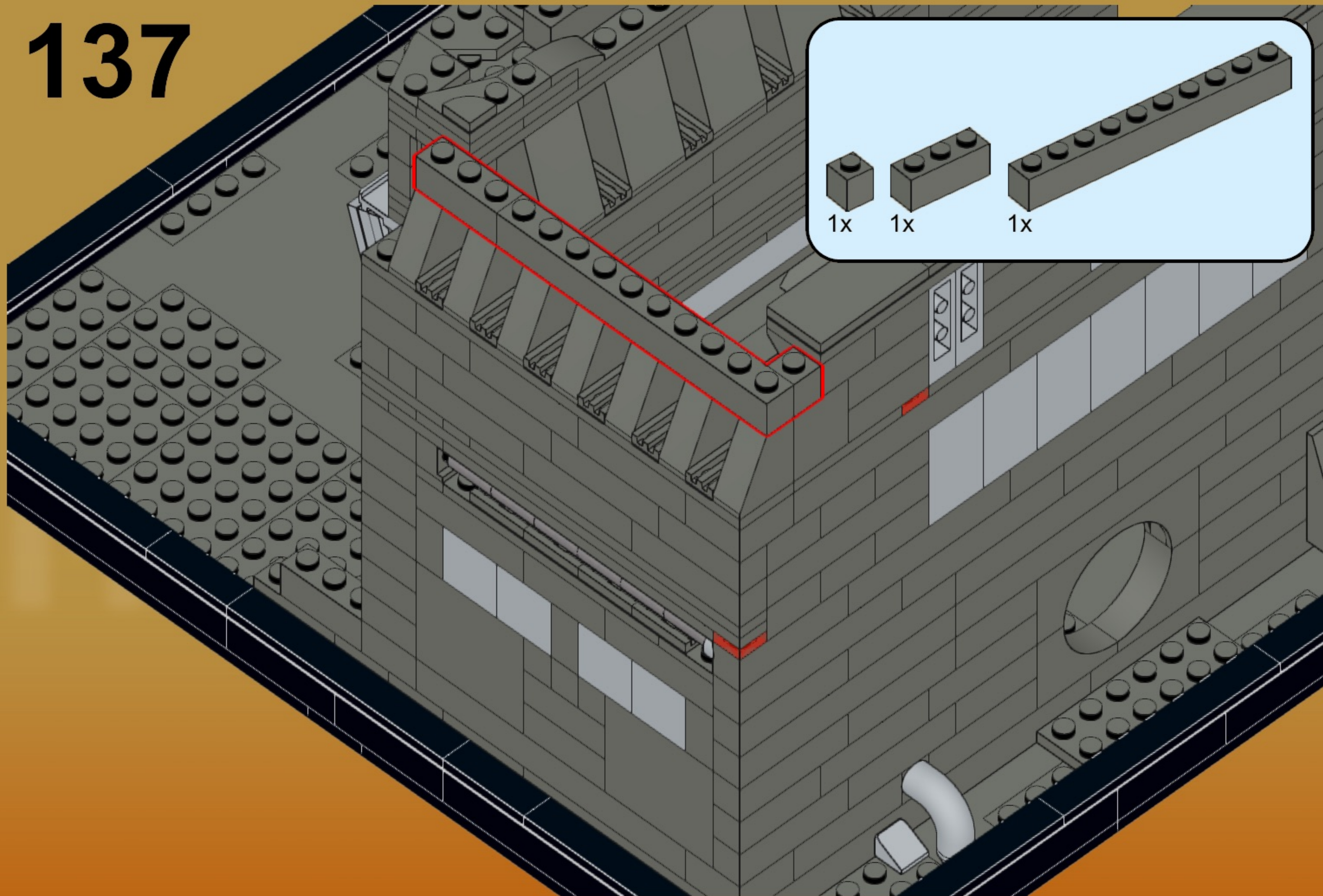
135



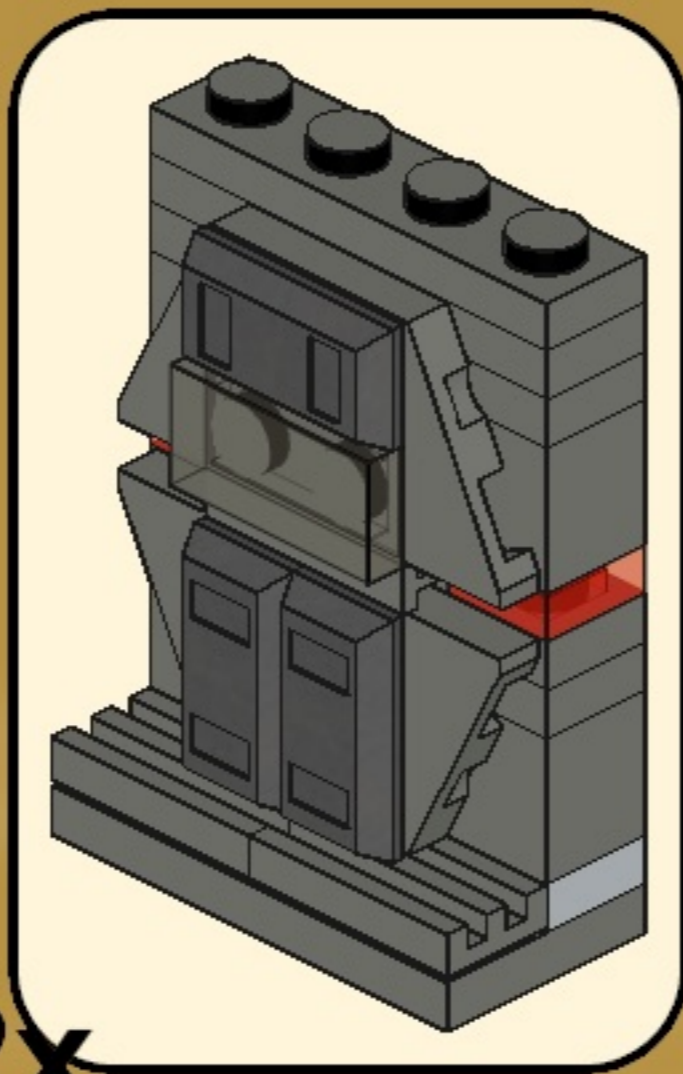
136



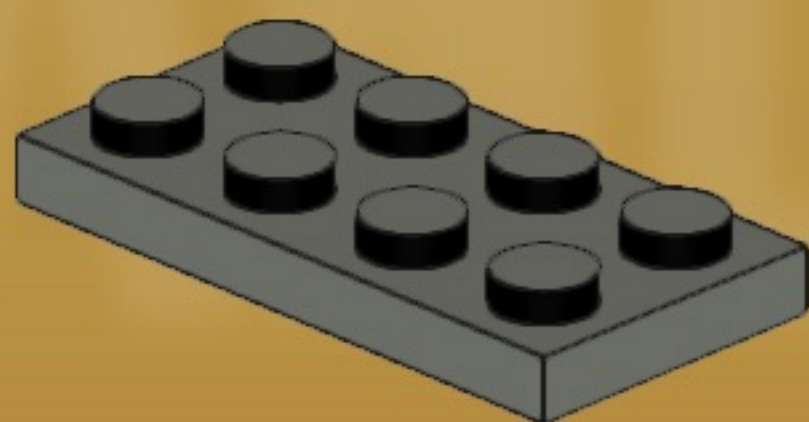
137



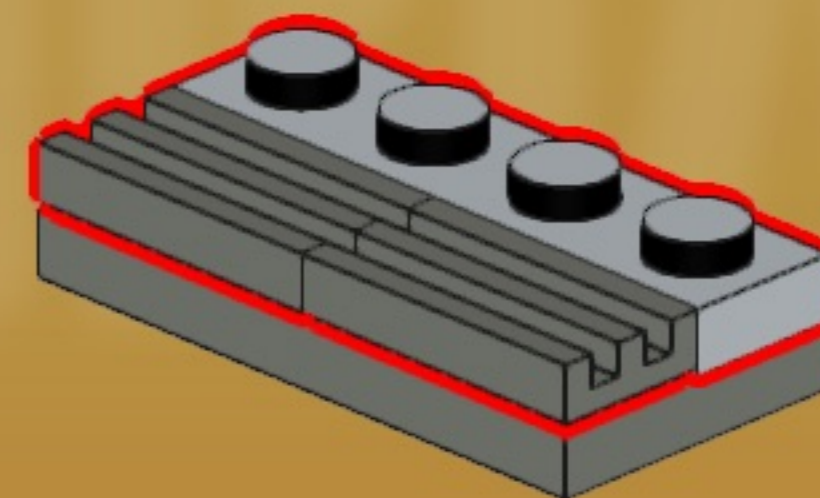
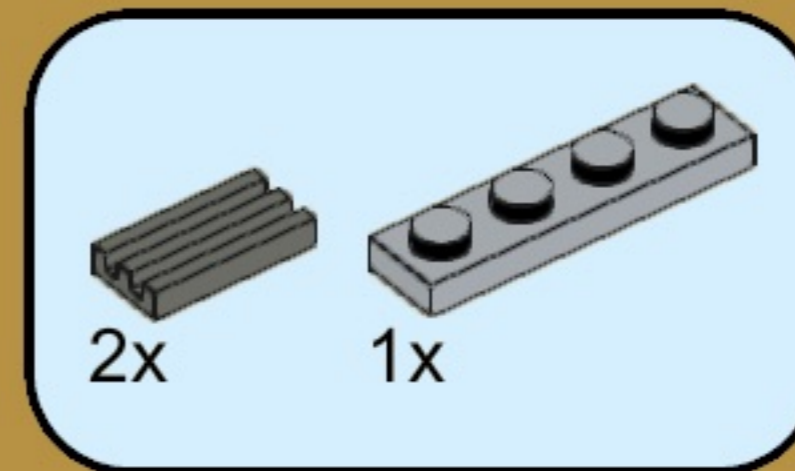
138



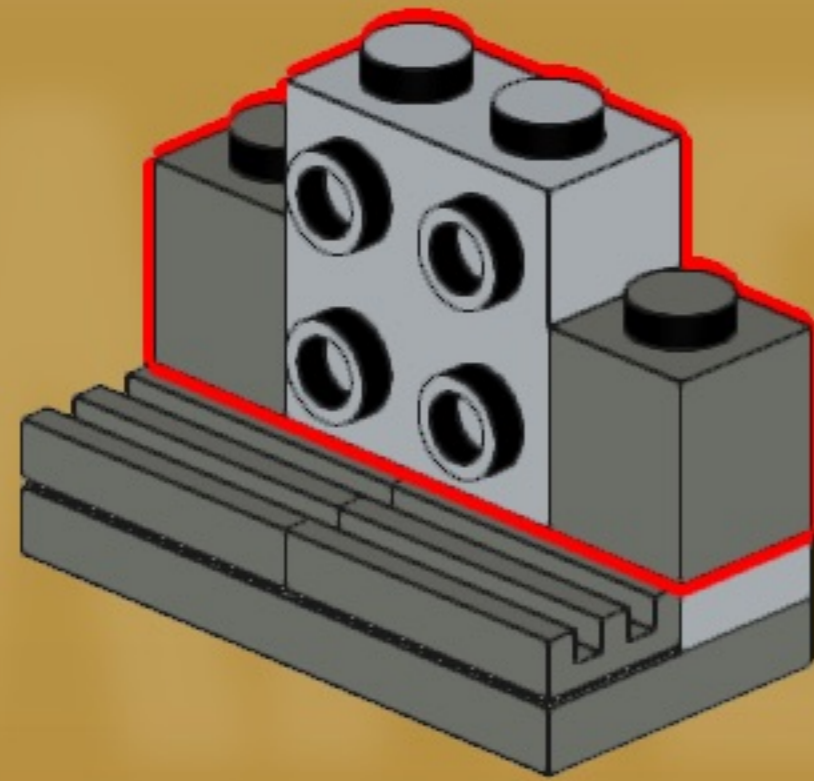
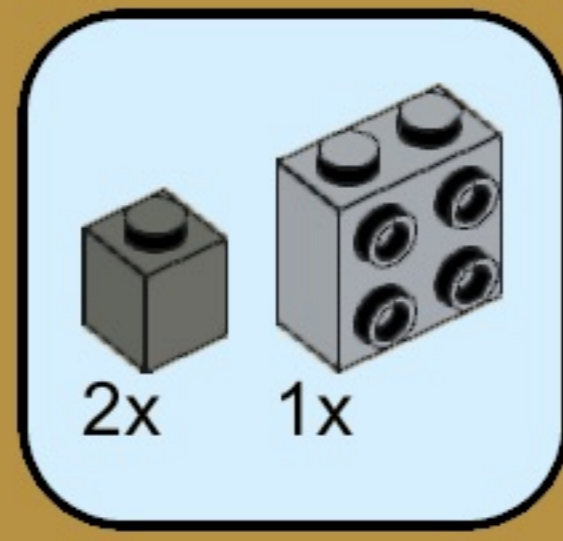
2x



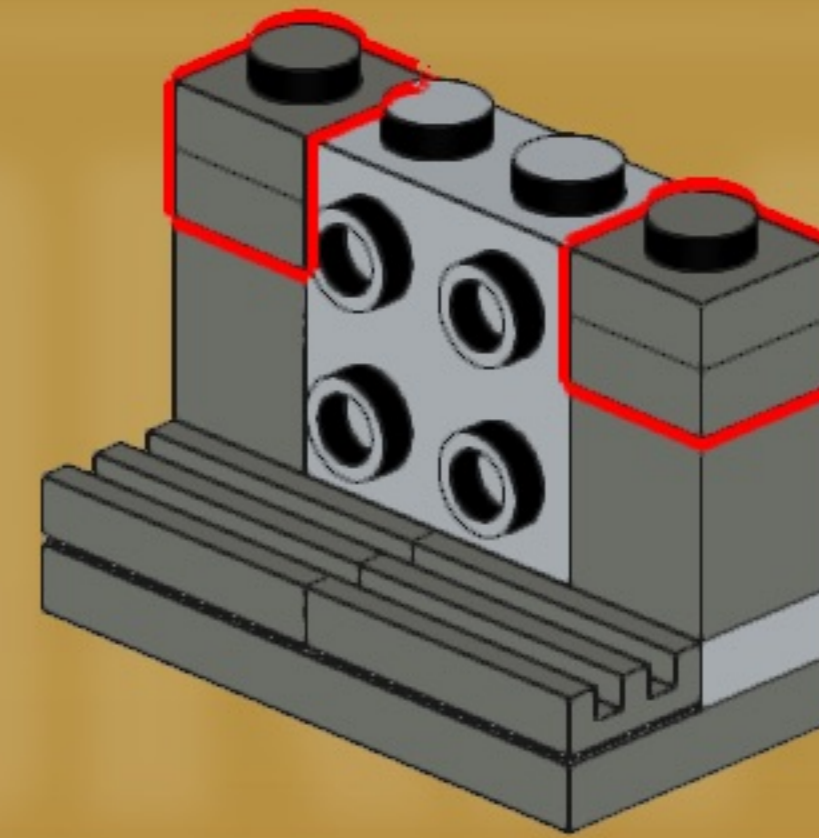
139



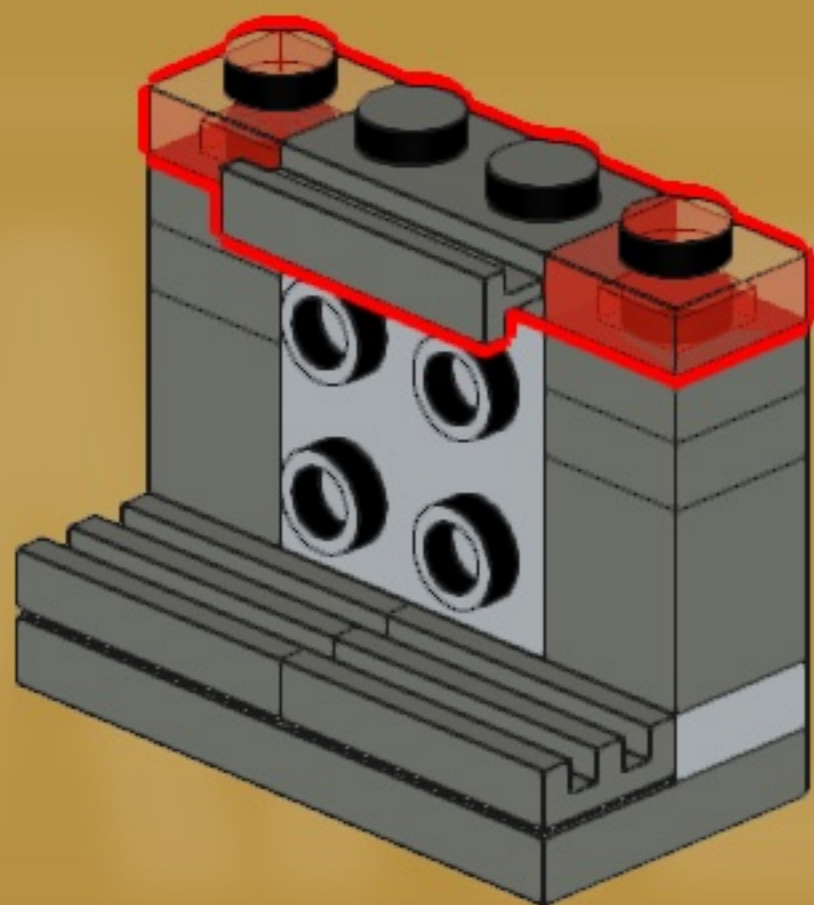
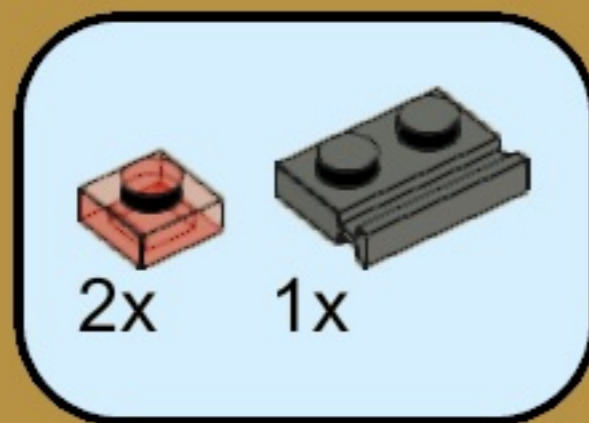
140



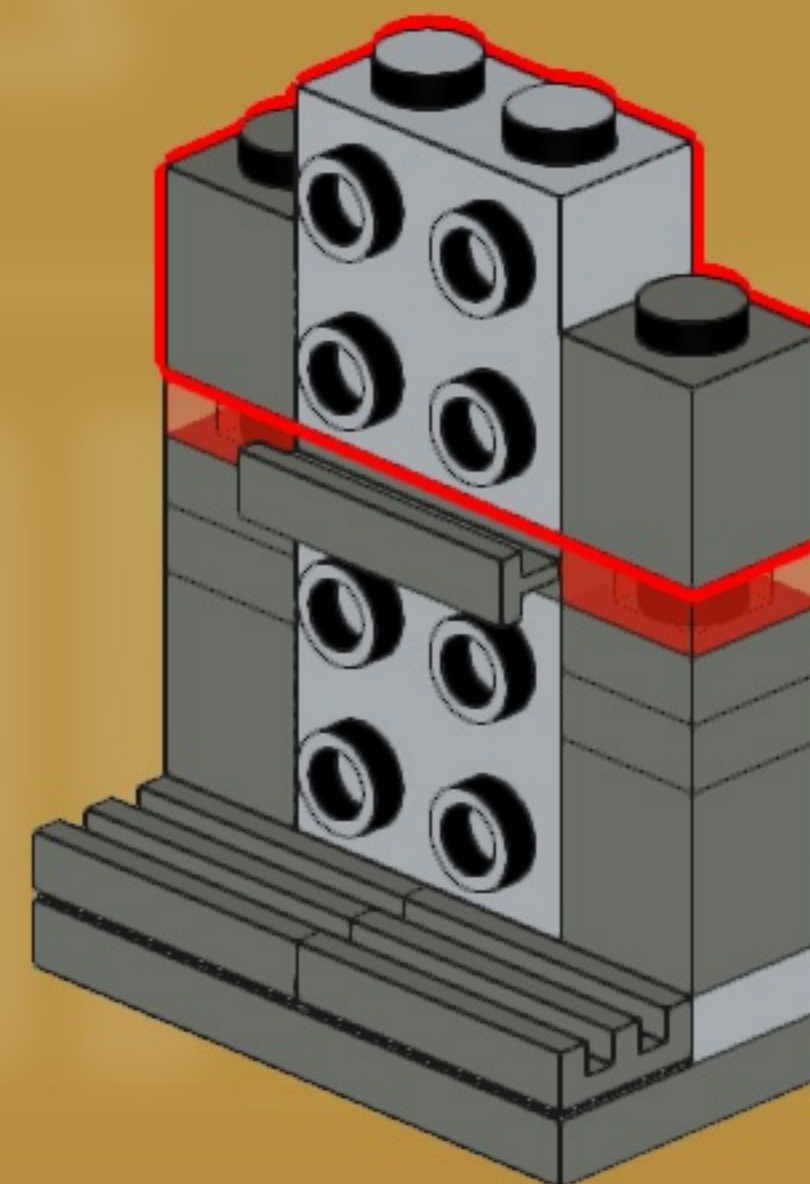
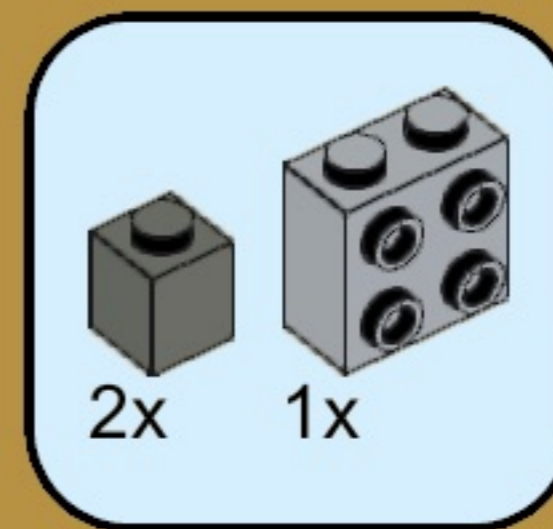
141



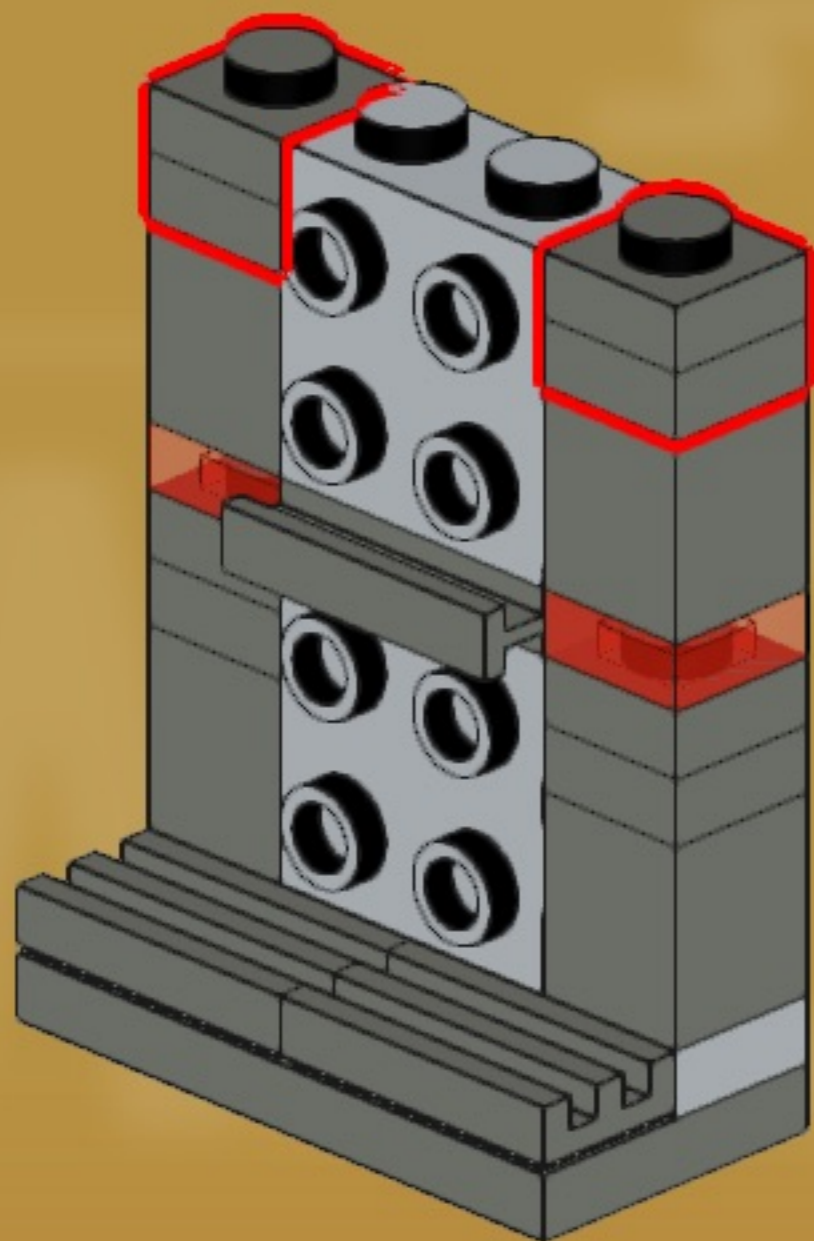
142



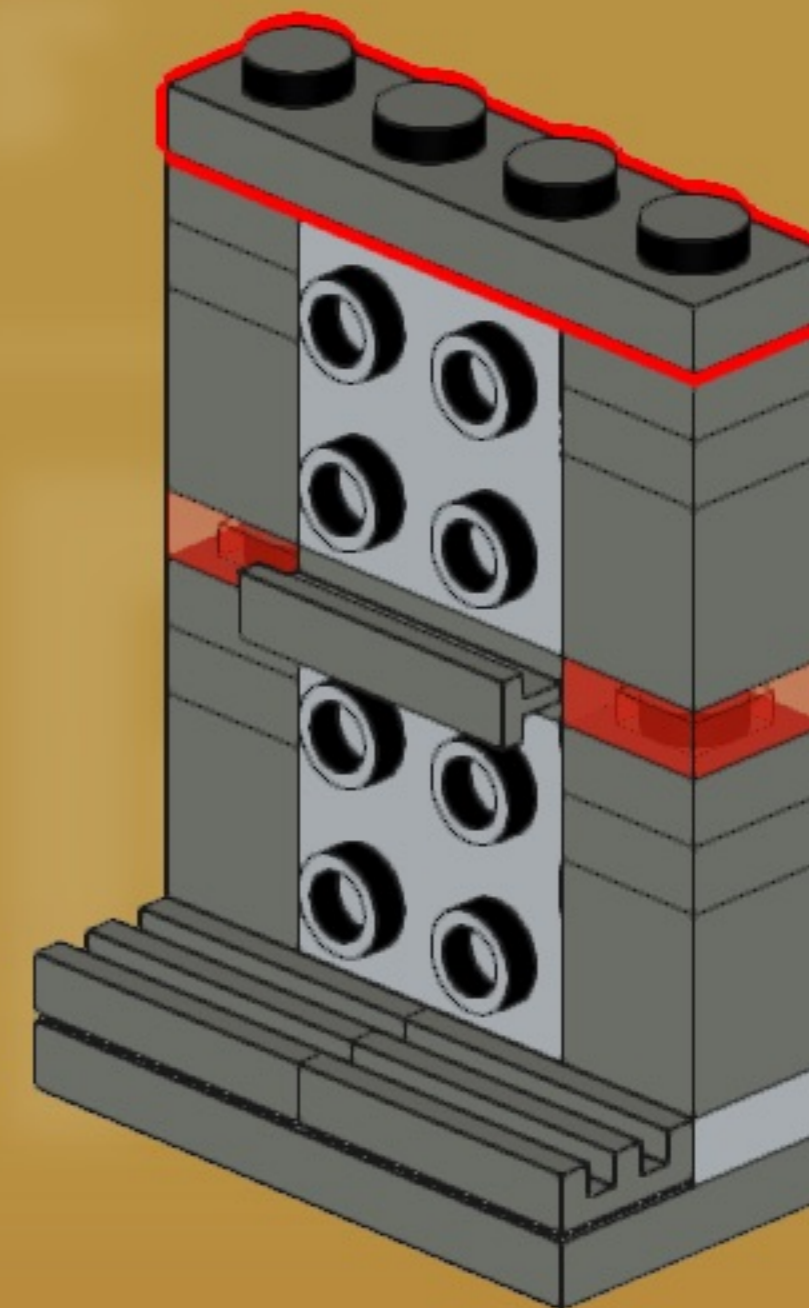
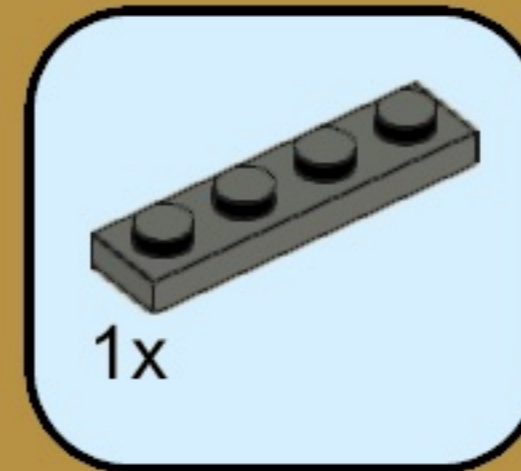
143



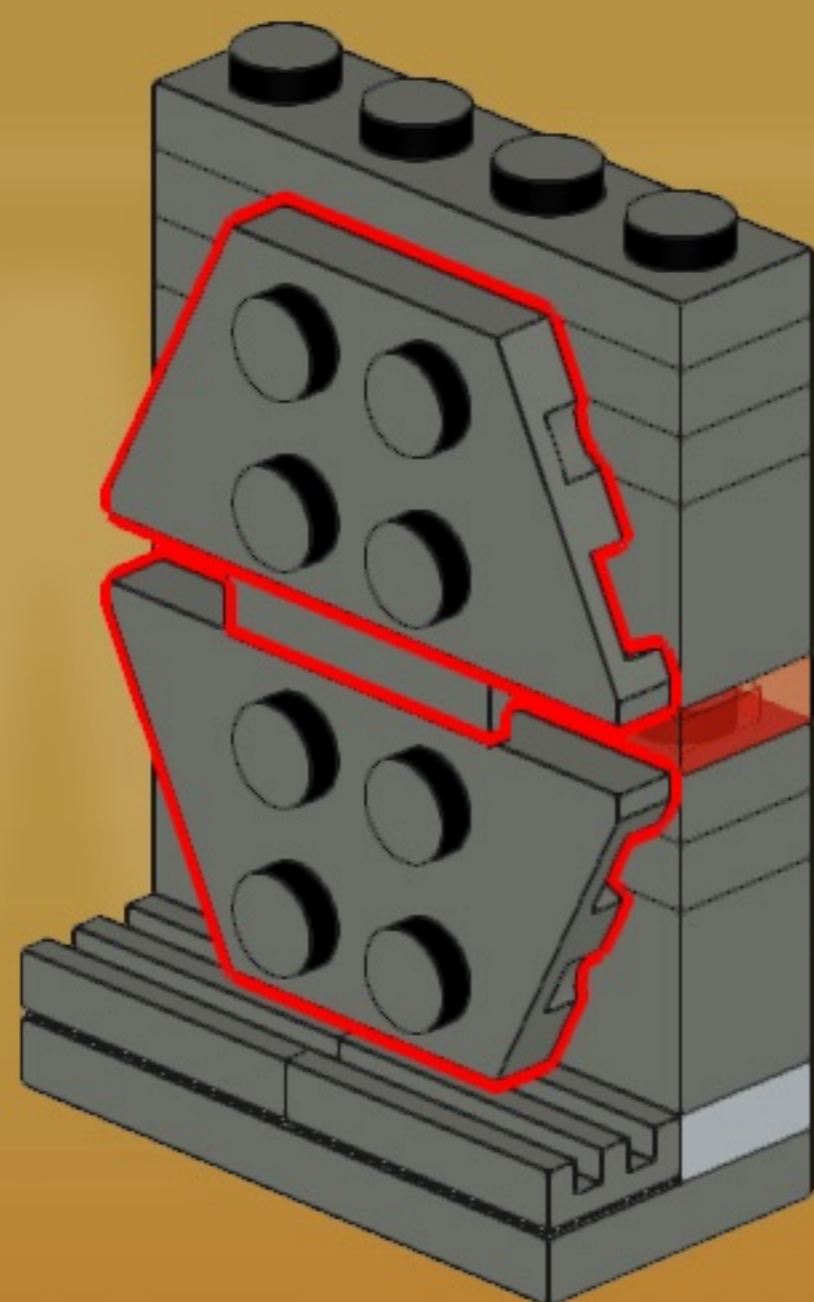
144



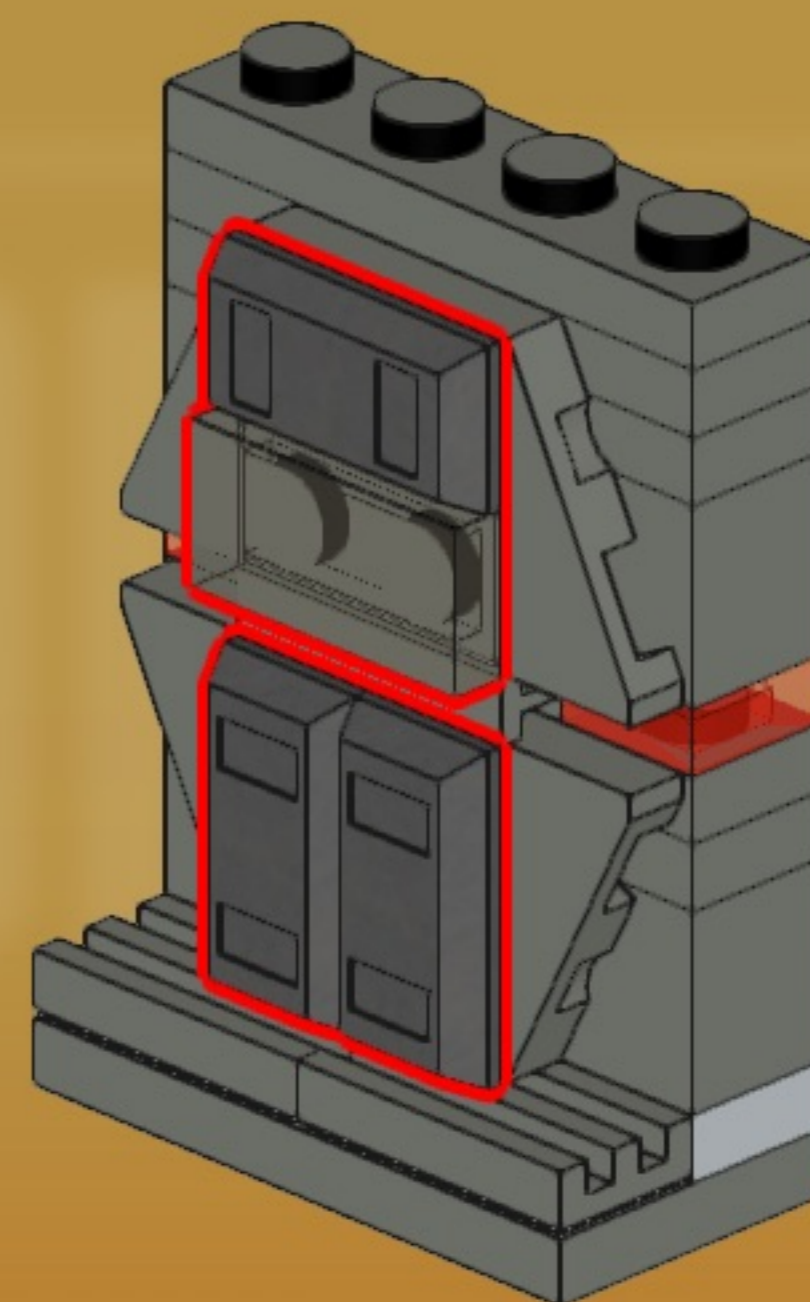
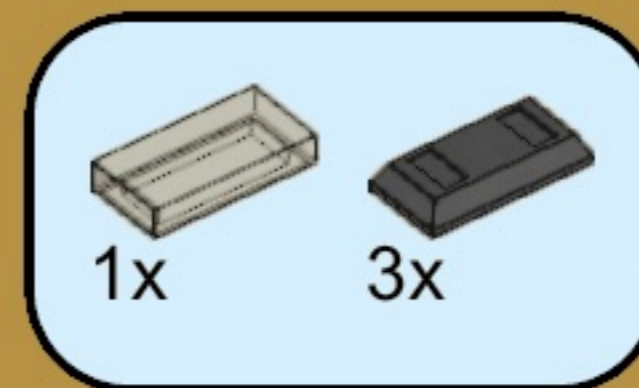
145



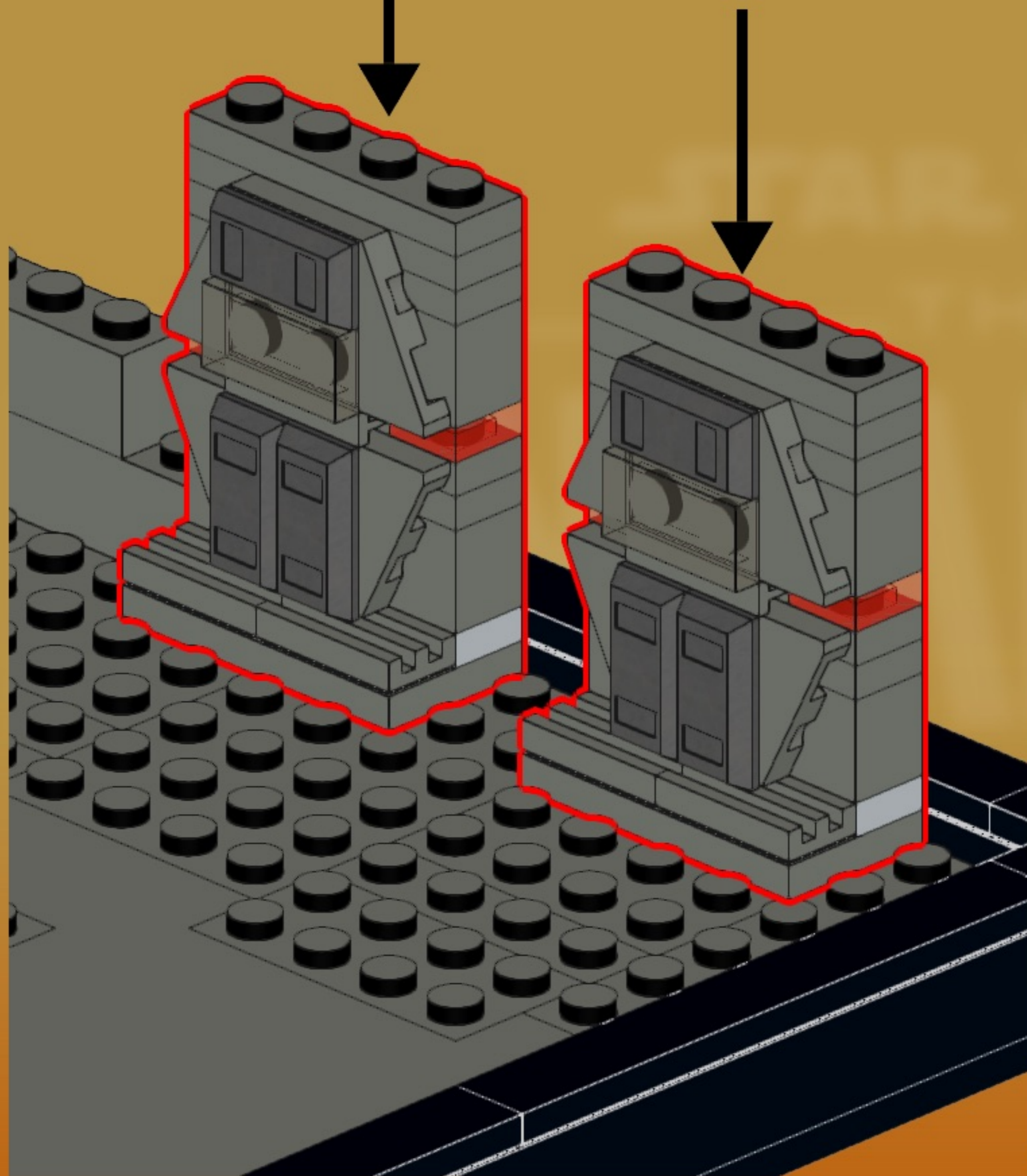
146



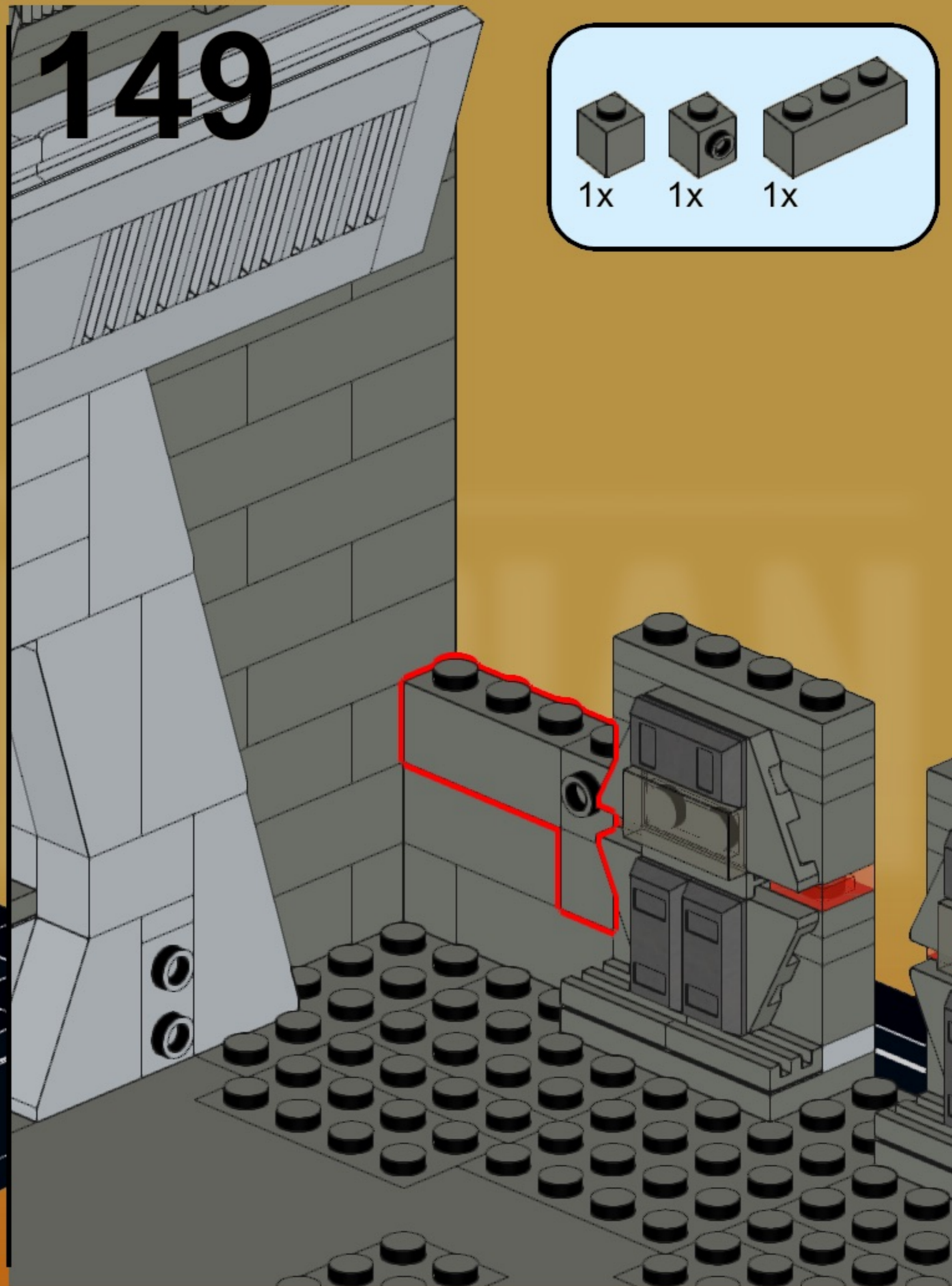
147



148

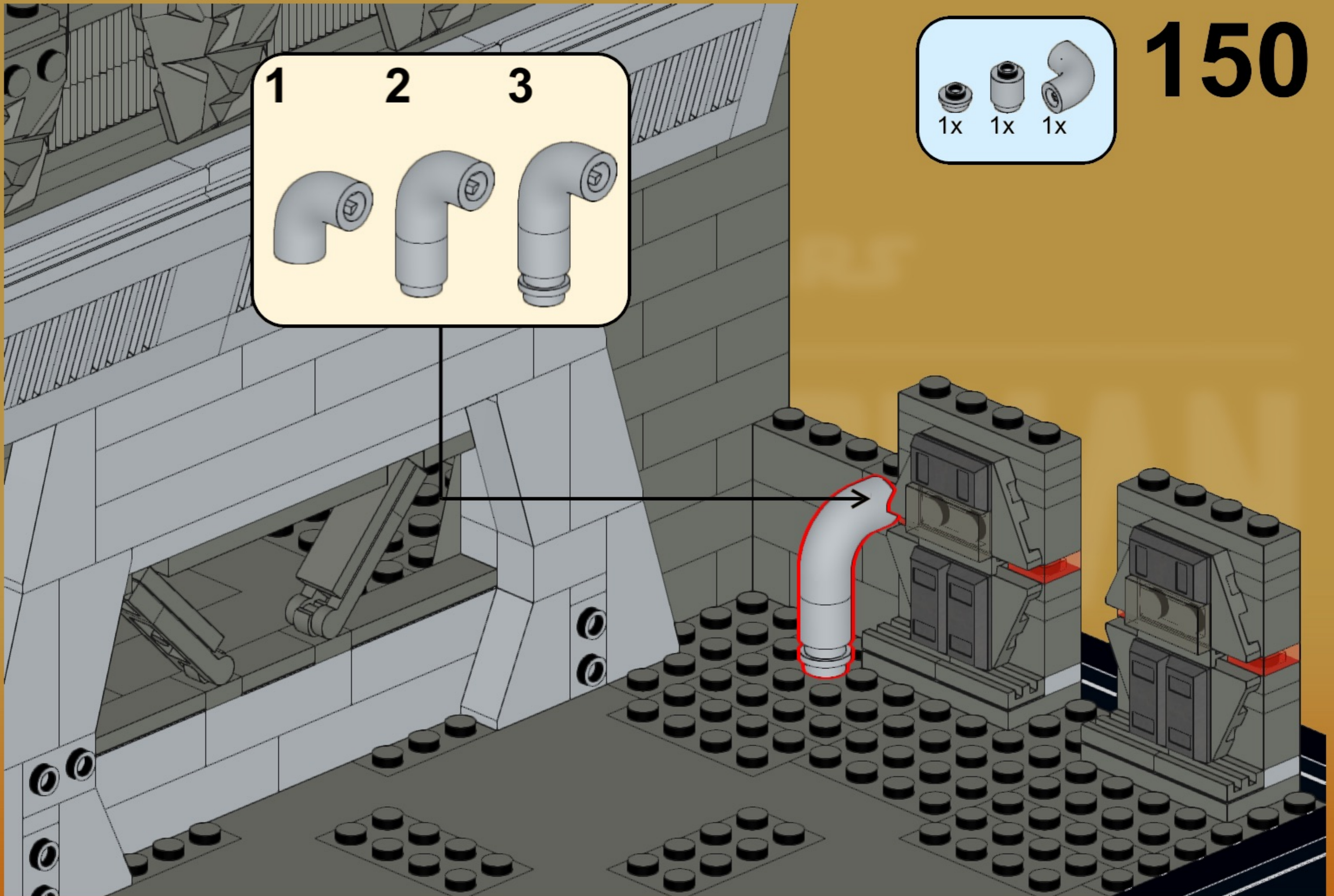
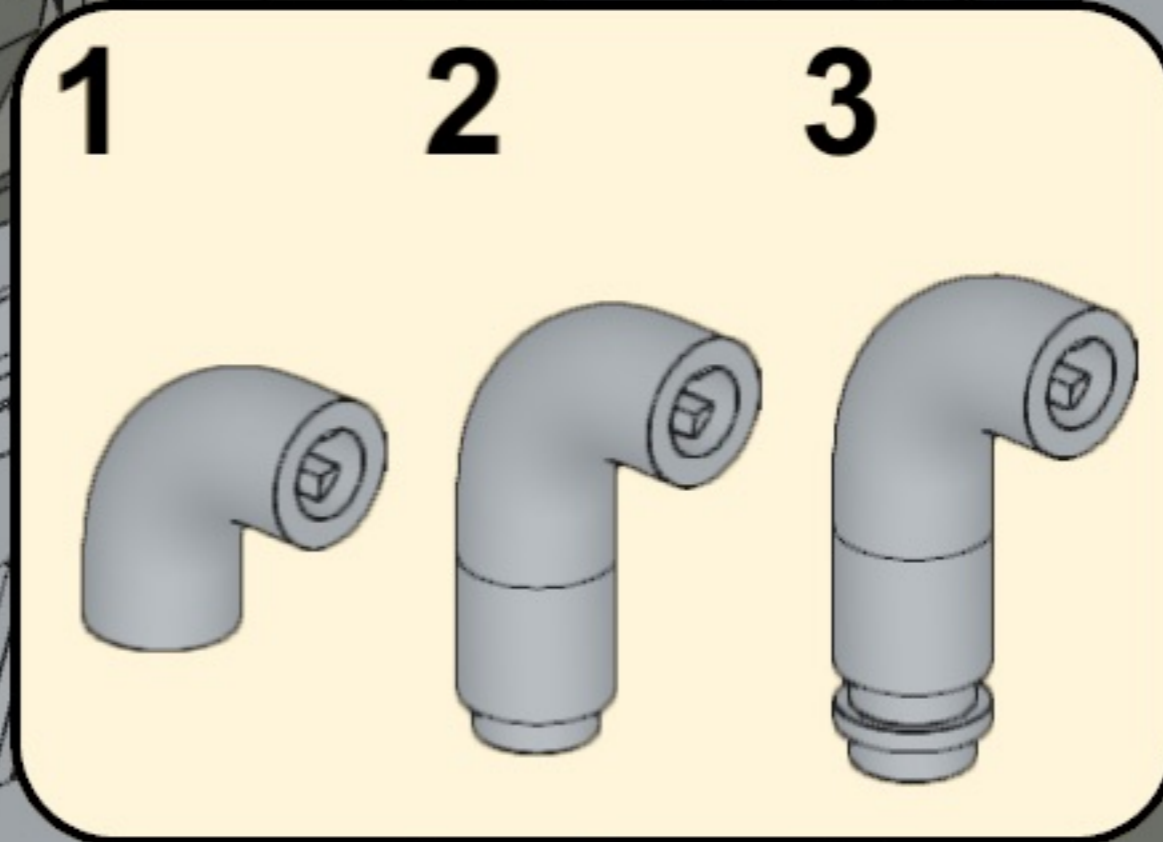
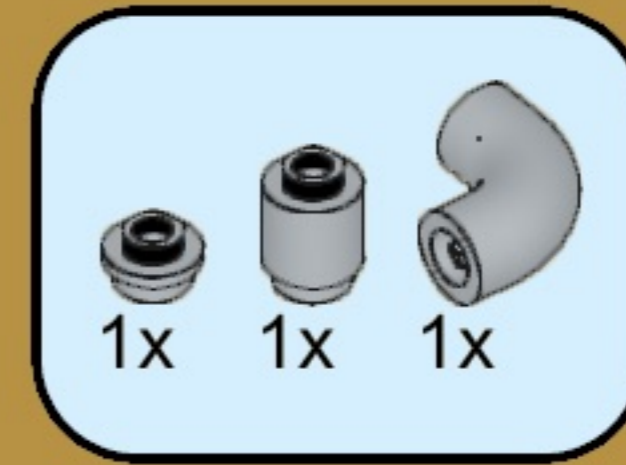


149



1x 1x 1x

150



151

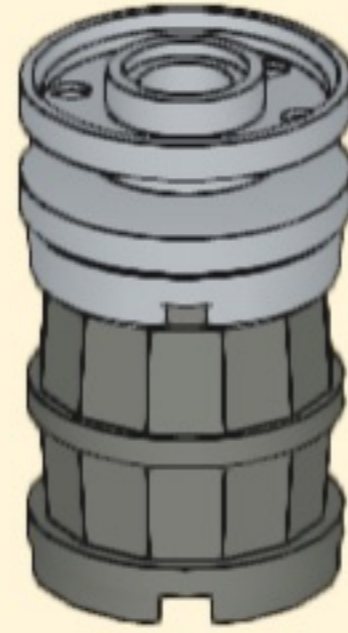
1



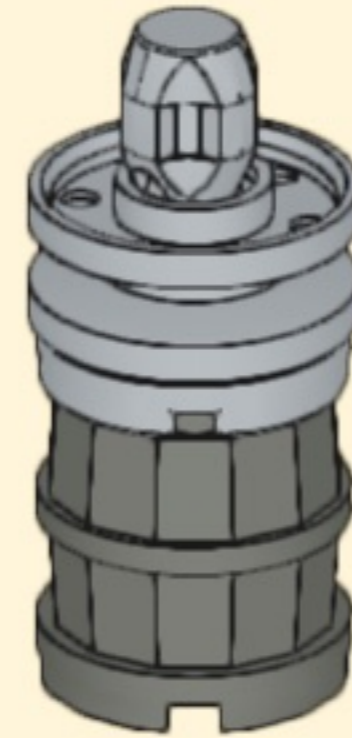
2



3



4



1x



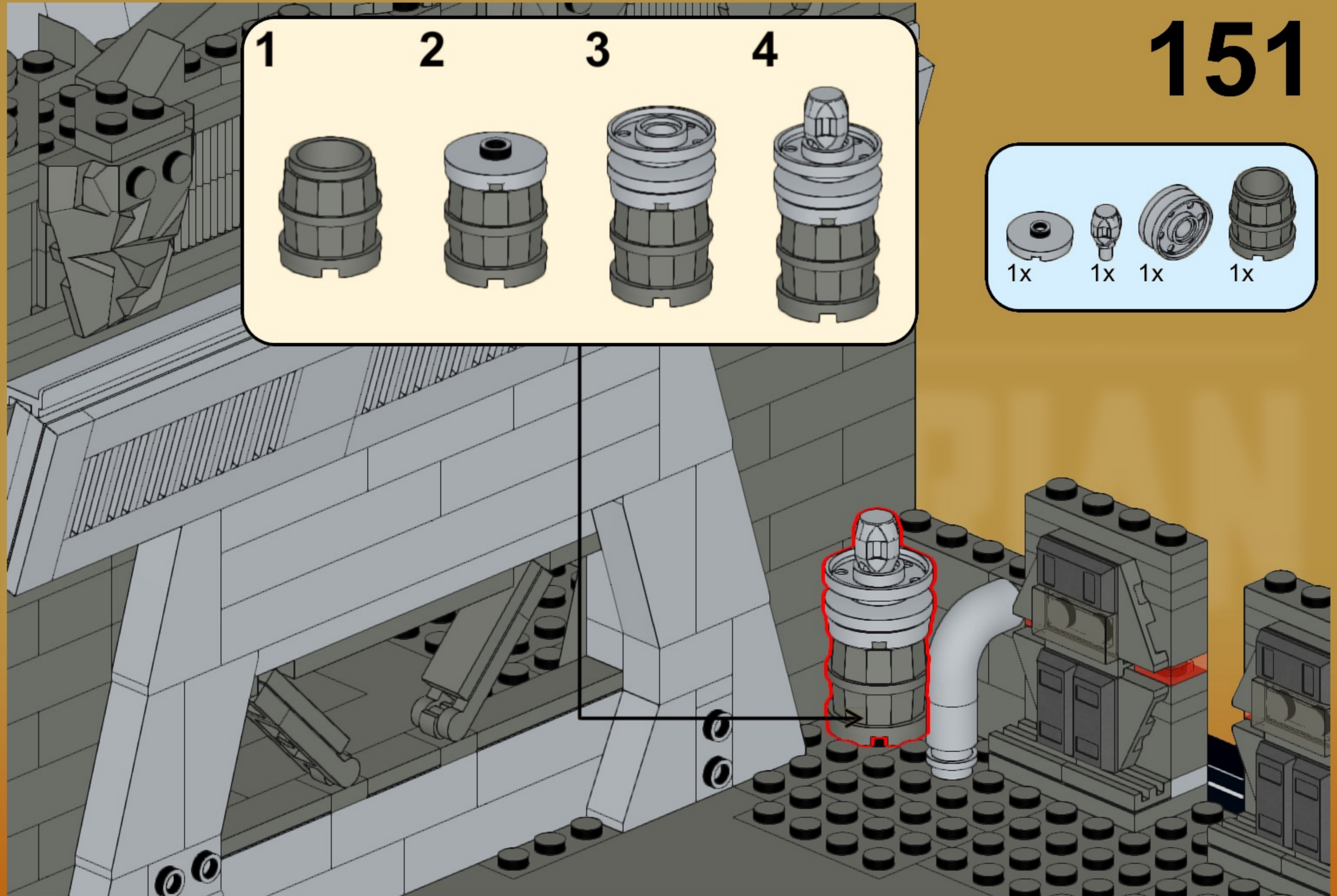
1x

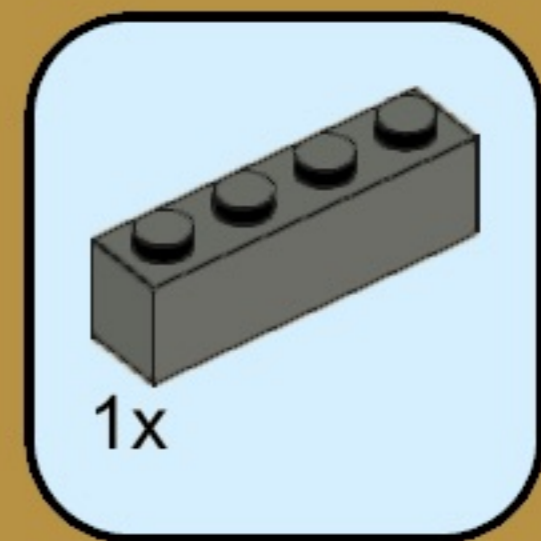
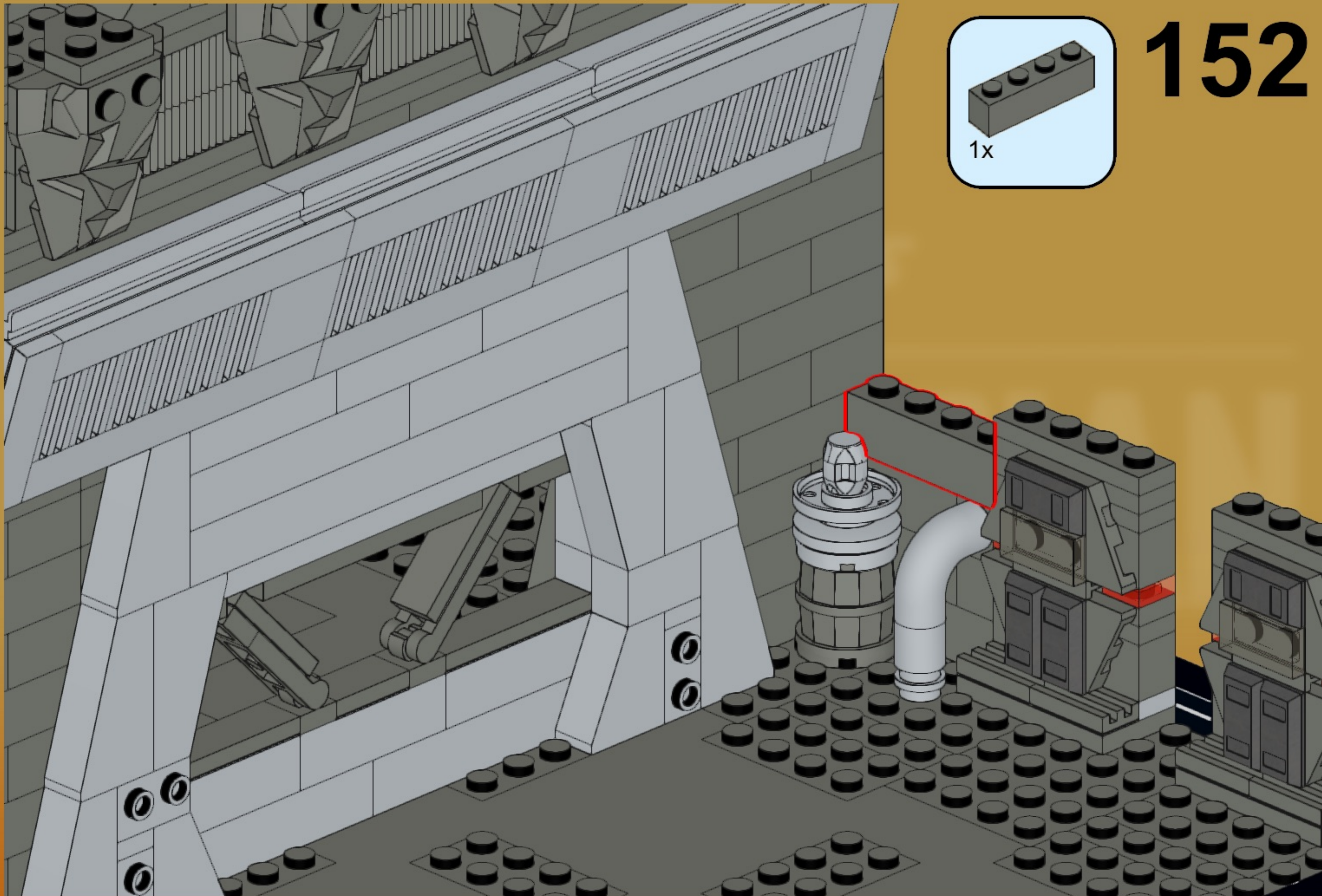


1x



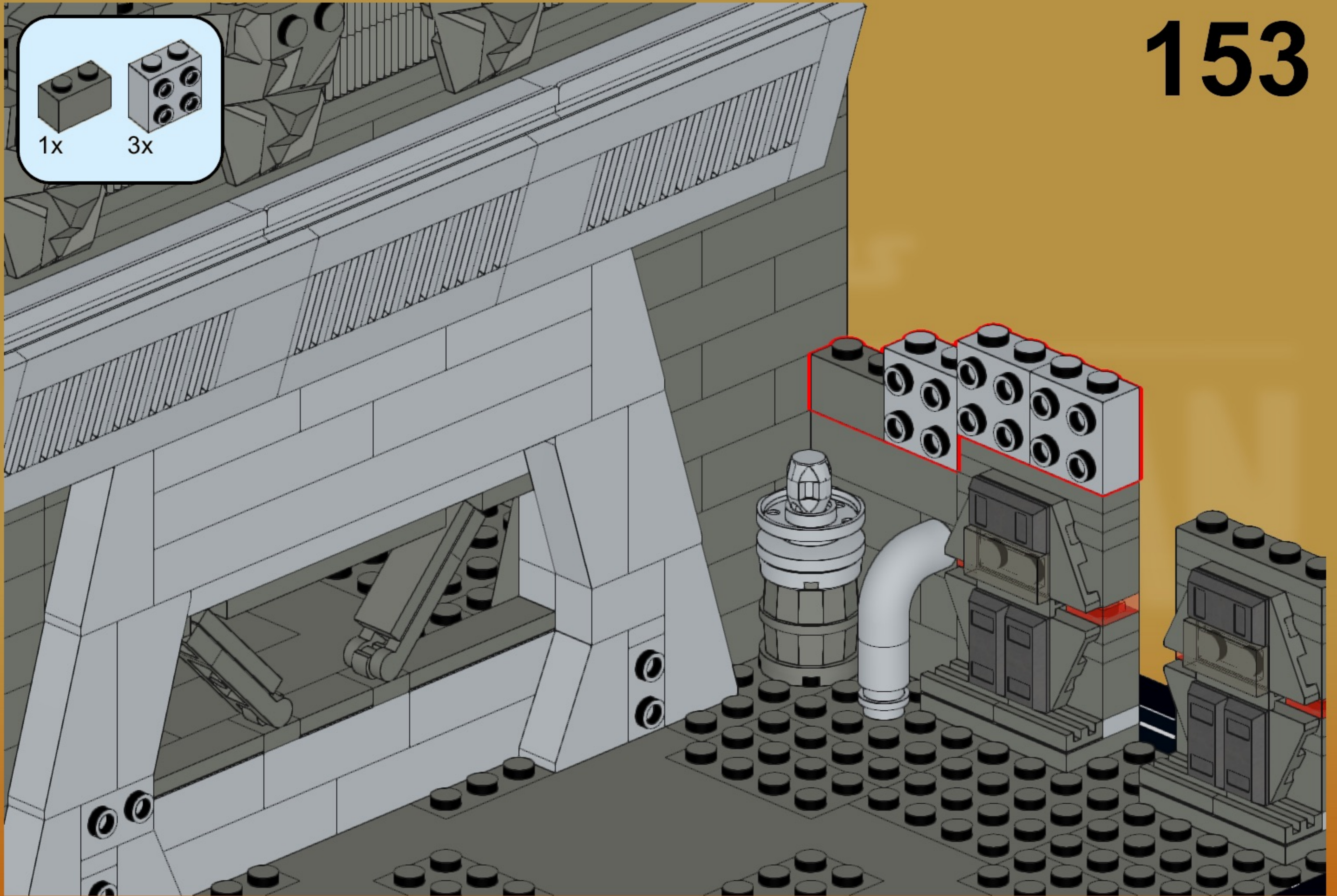
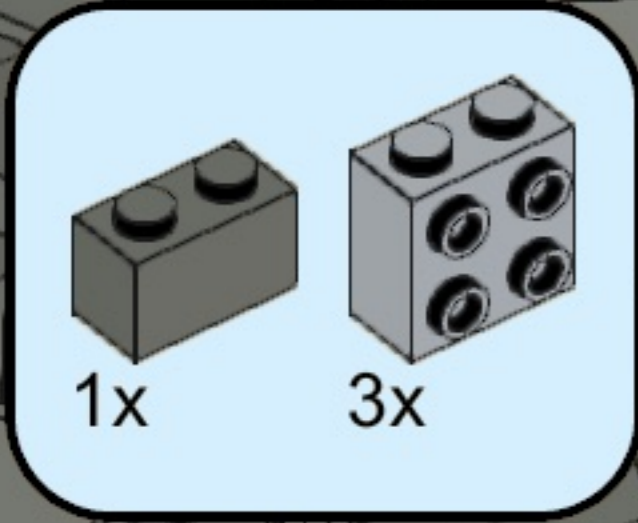
1x



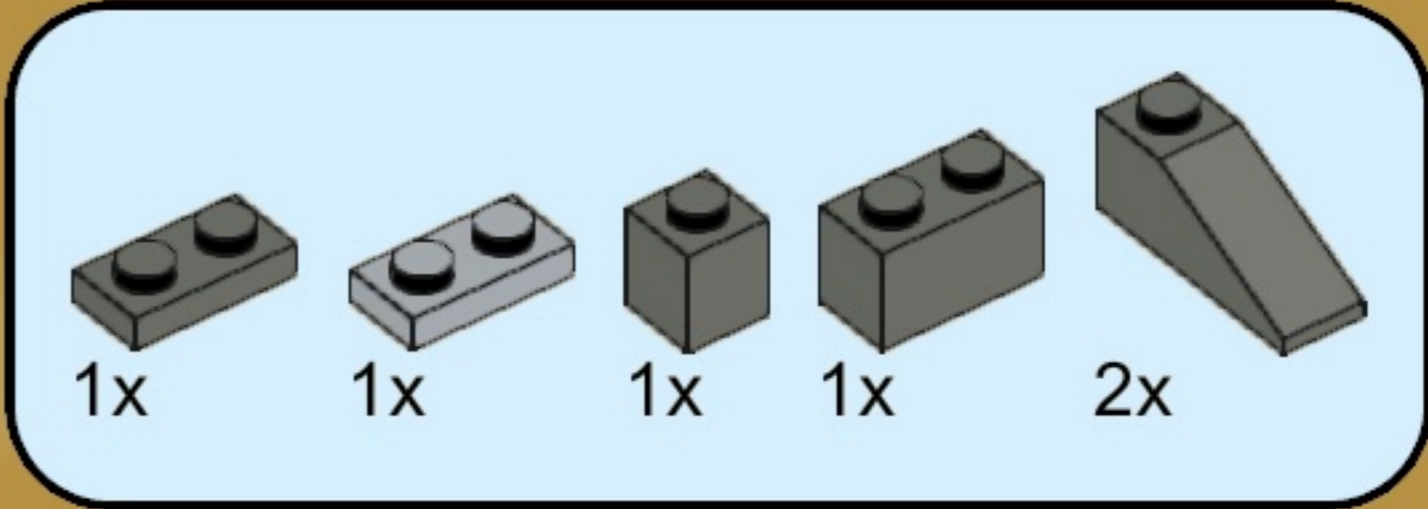
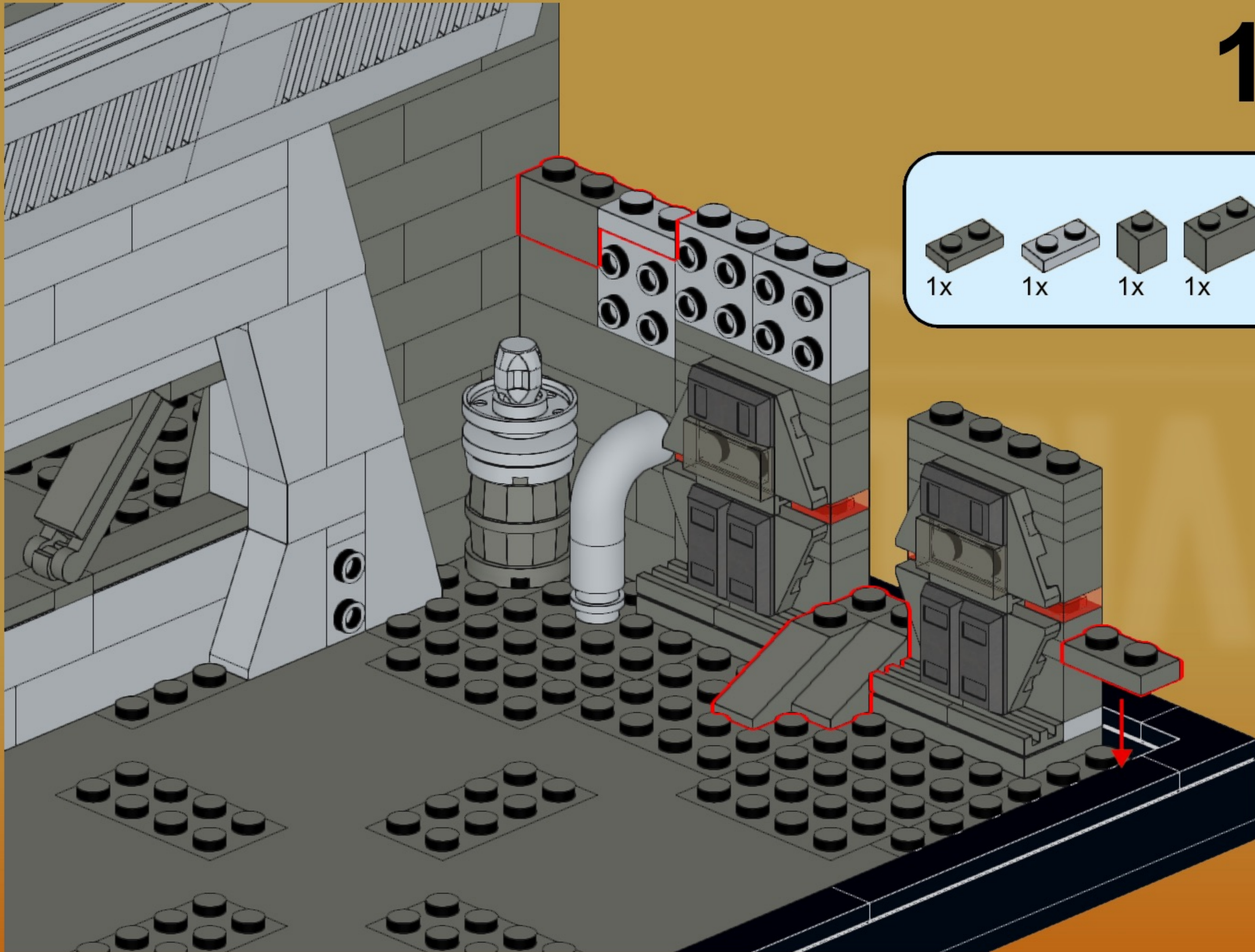


152

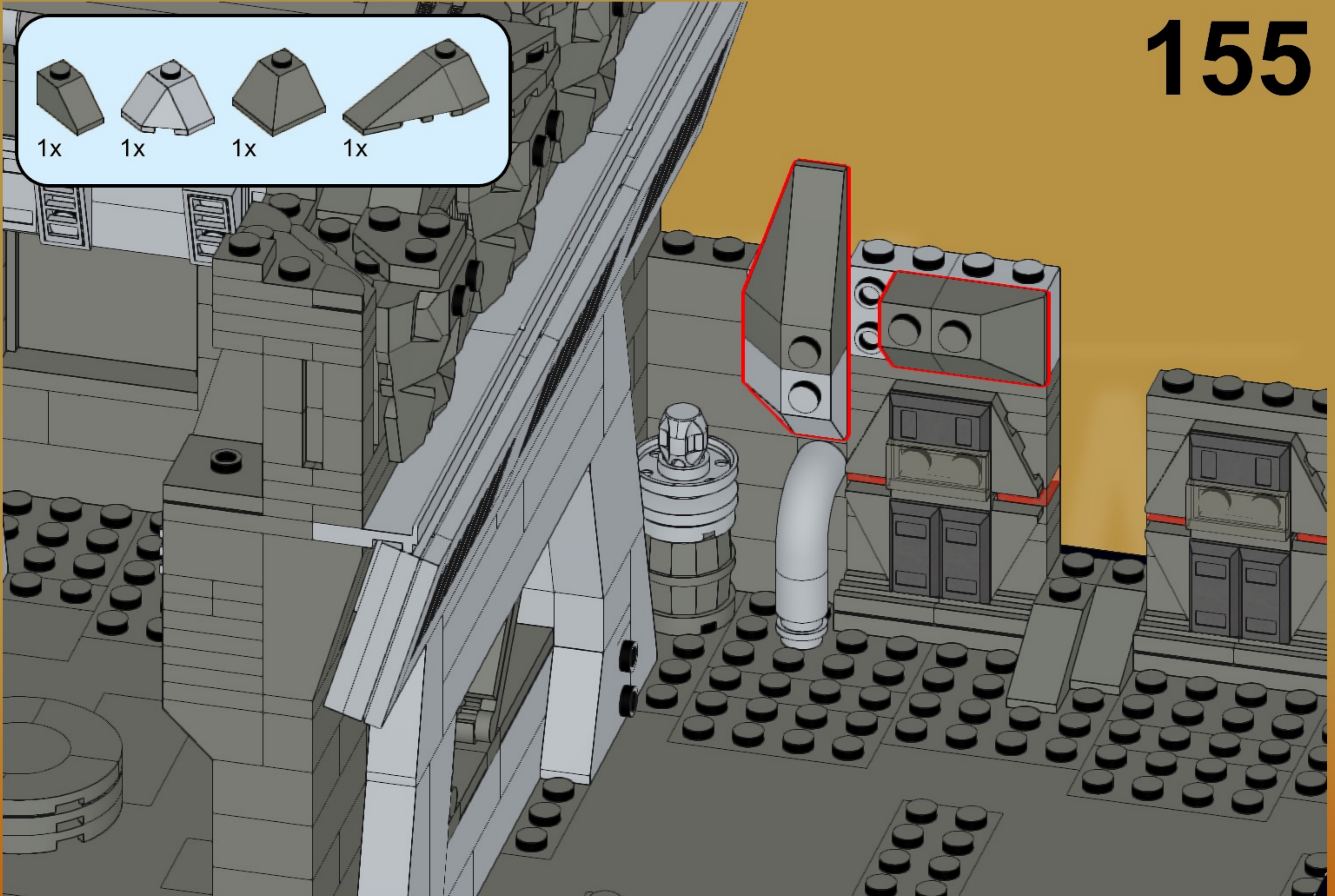
153



154

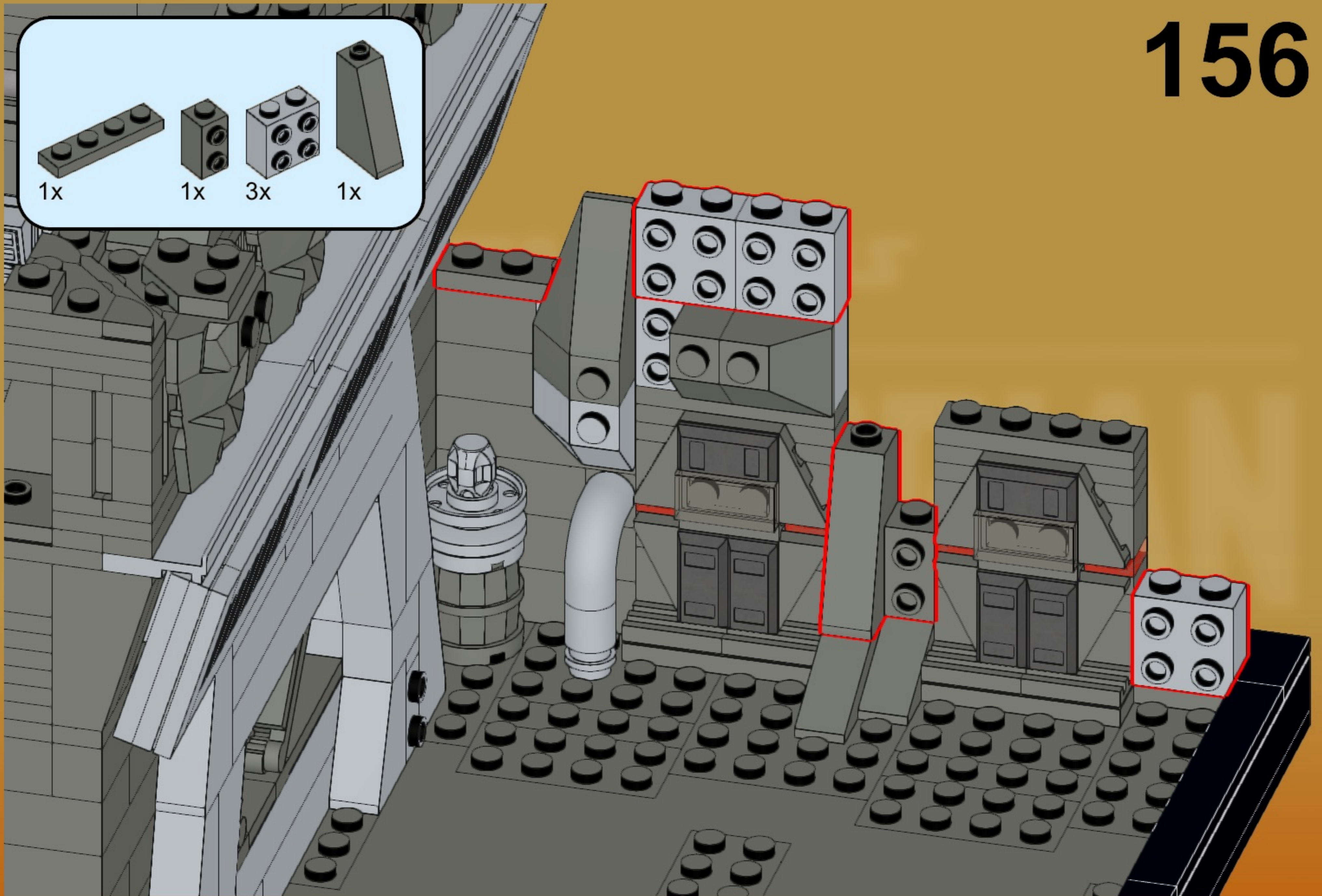
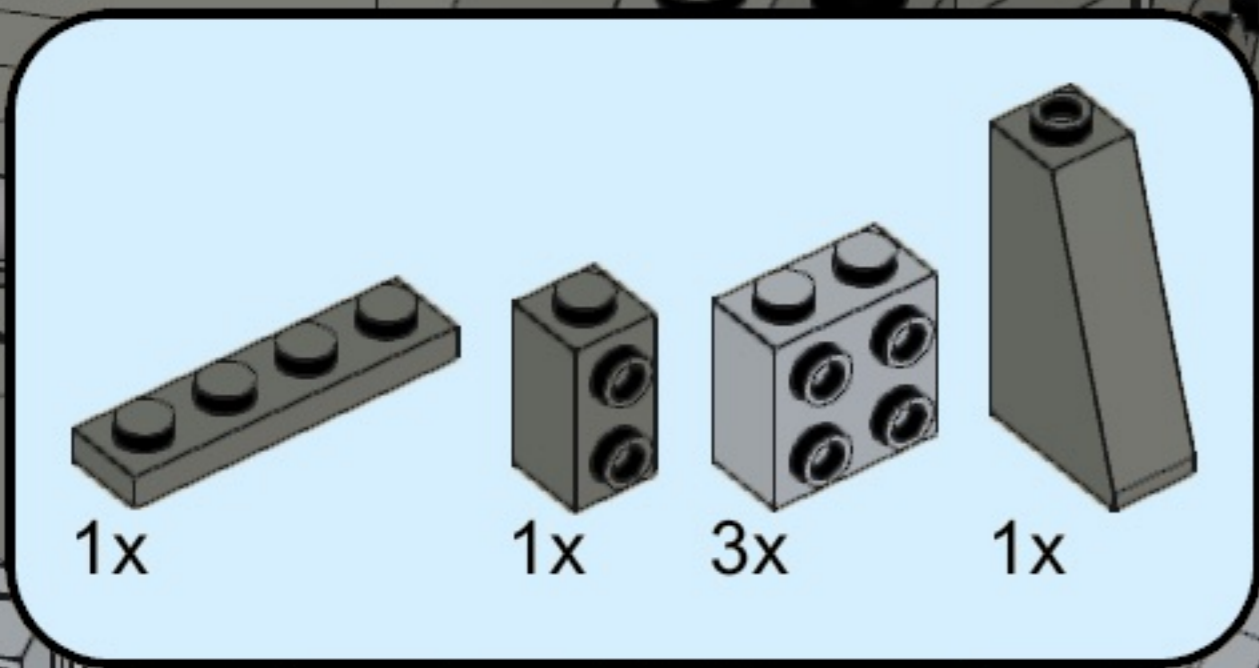


155

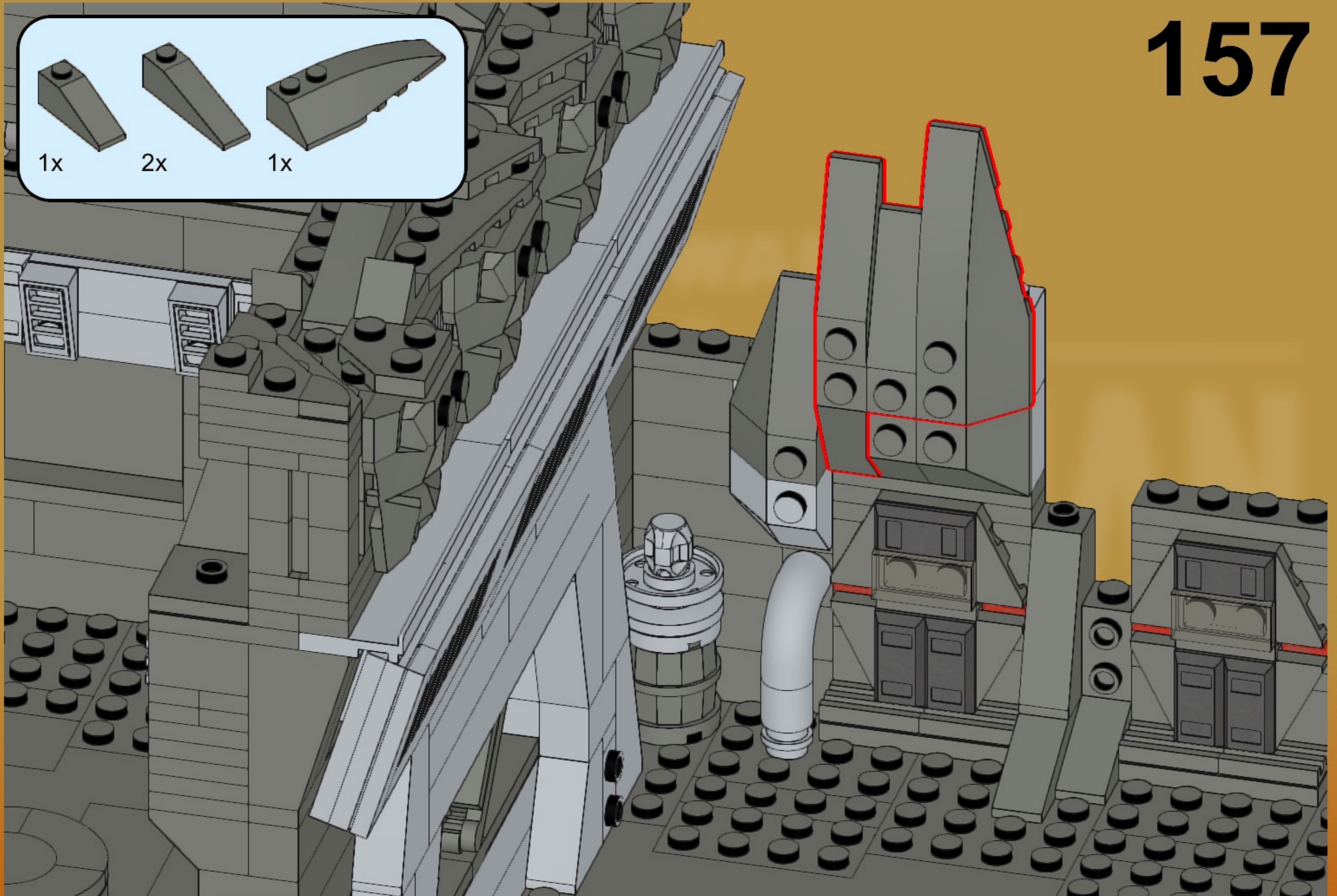
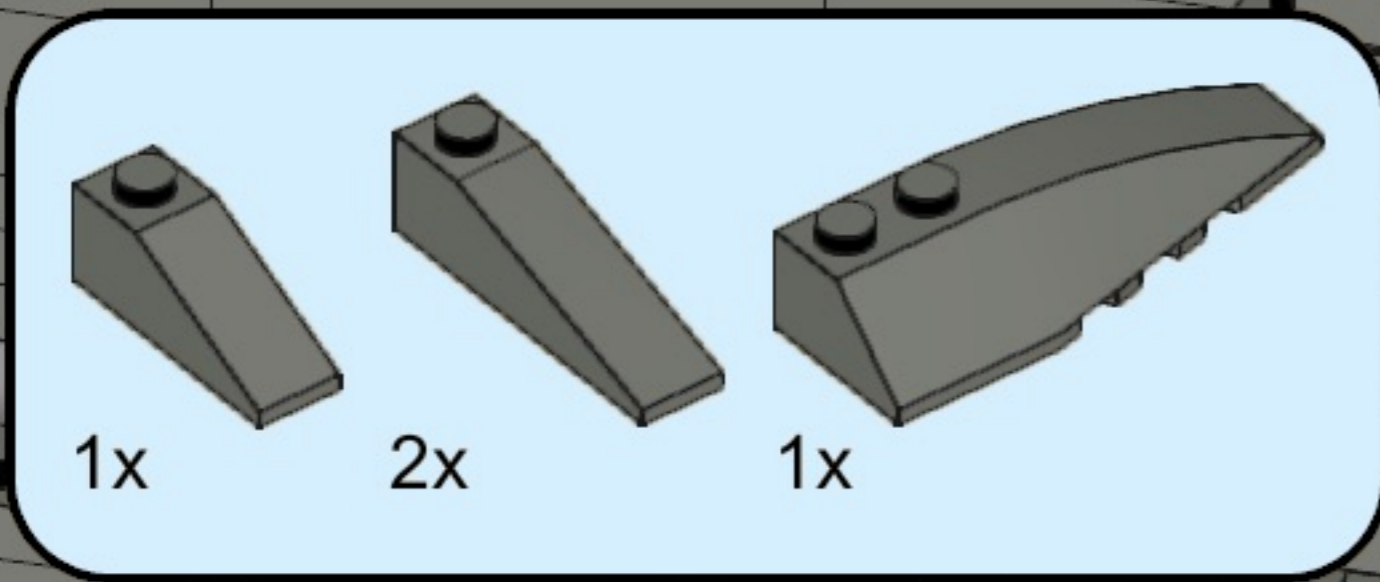


1x 1x 1x 1x

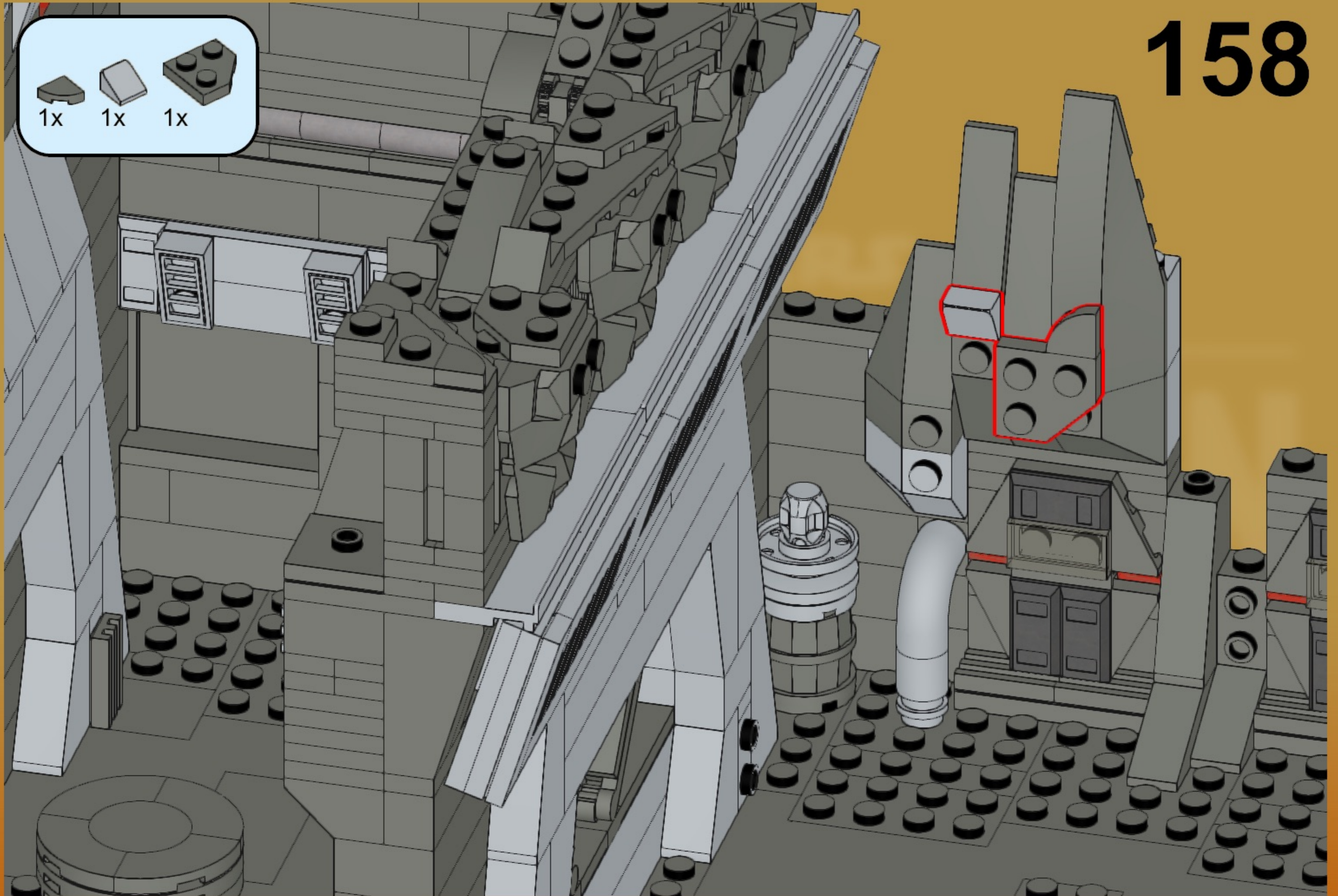
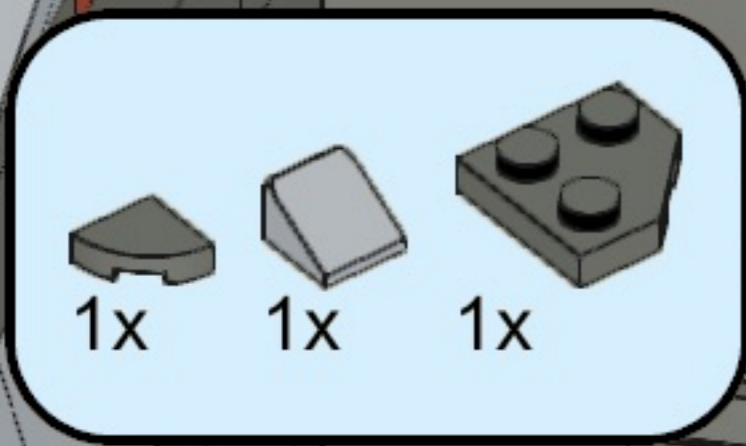
156



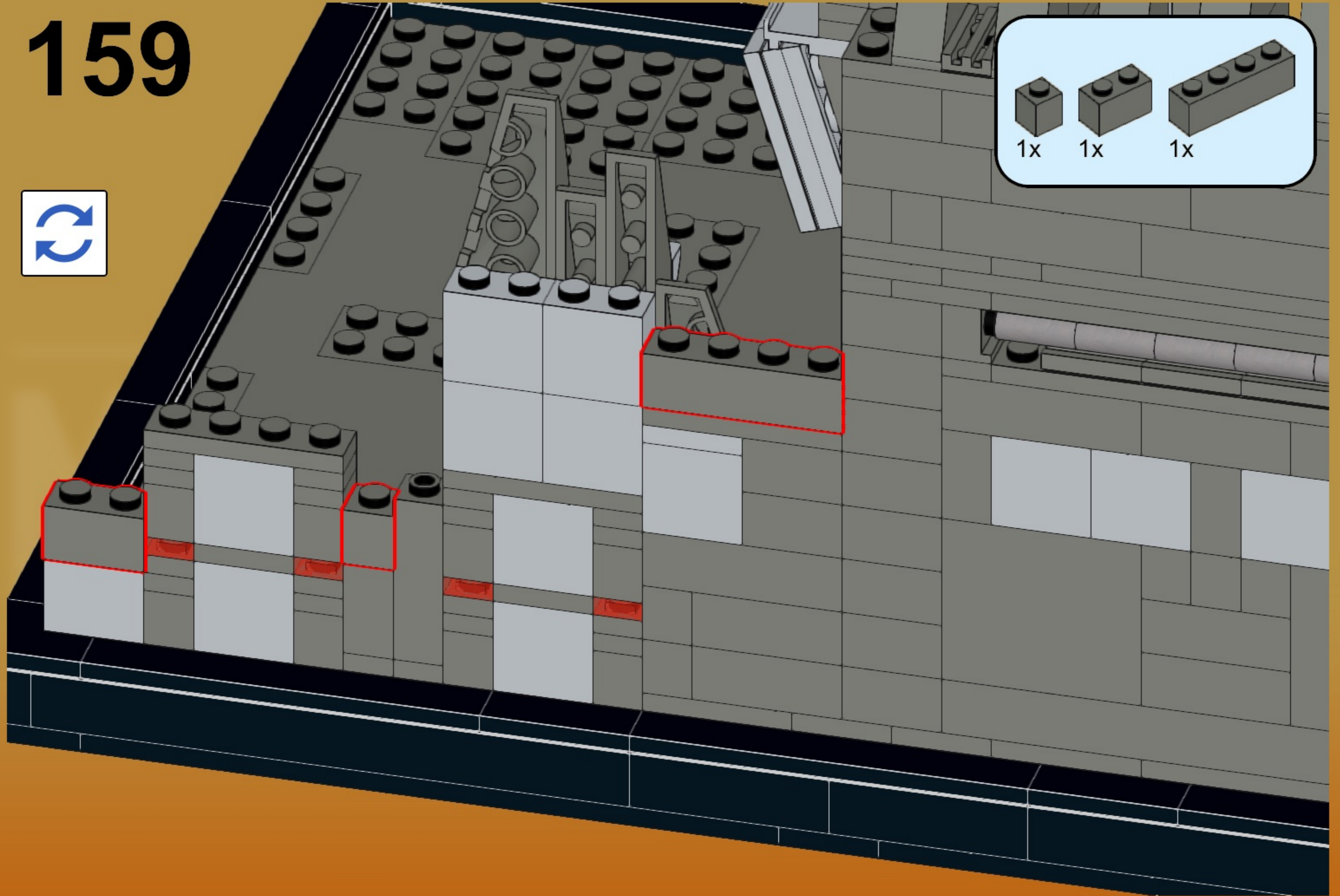
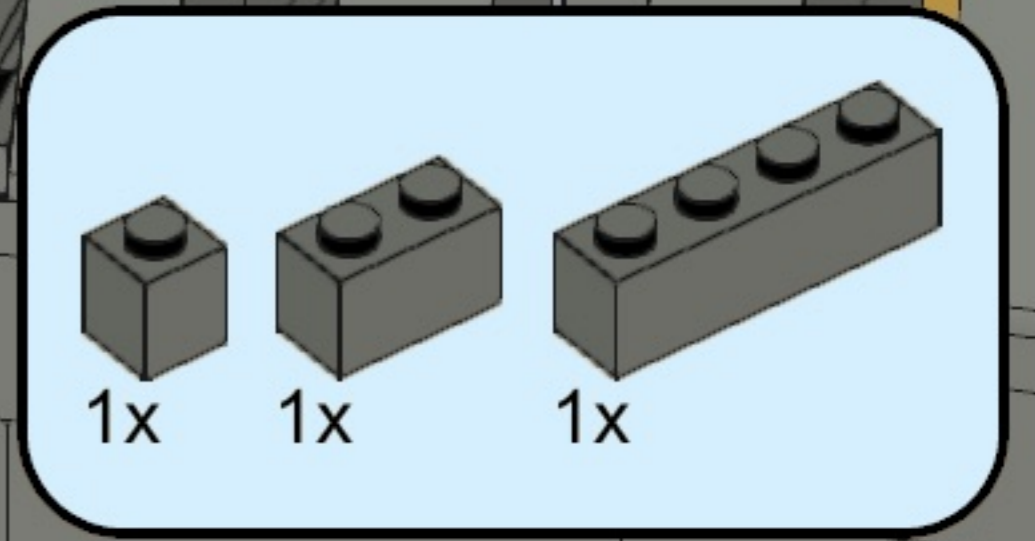
157



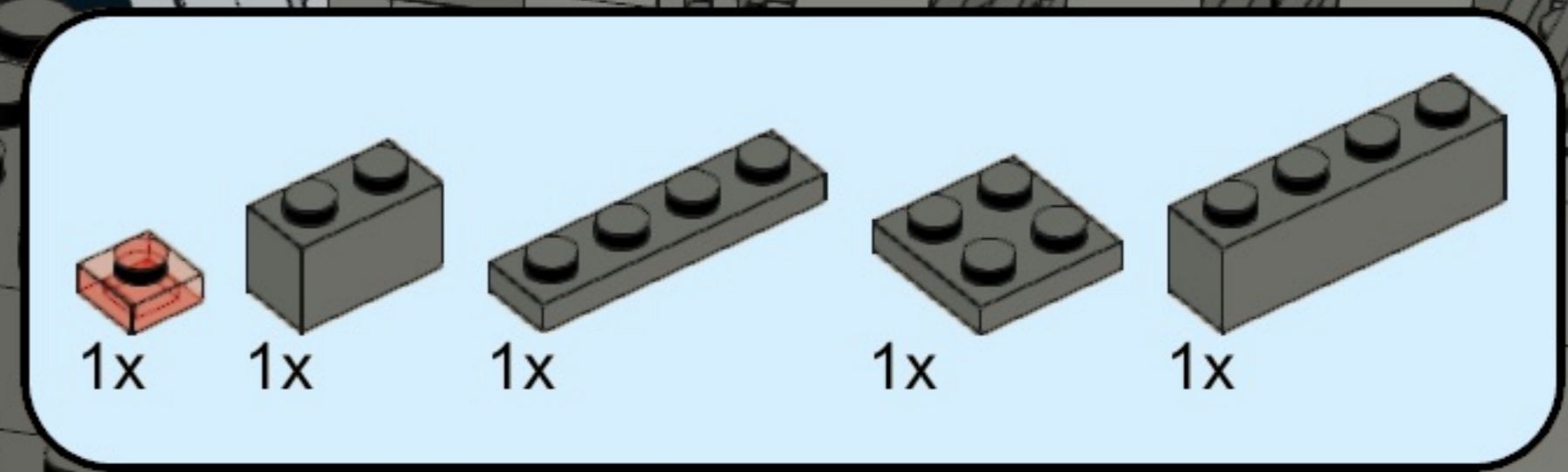
158



159

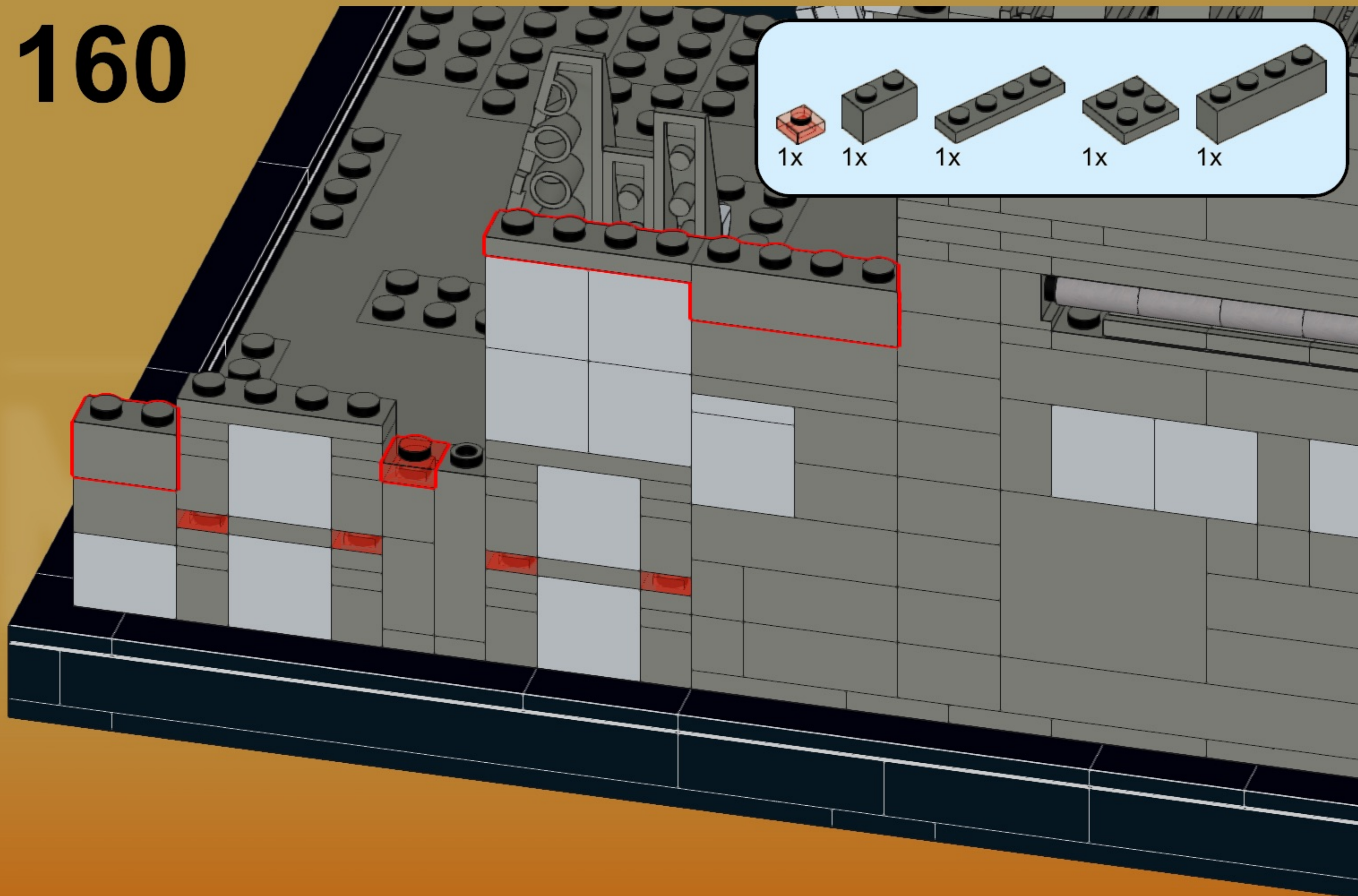


160

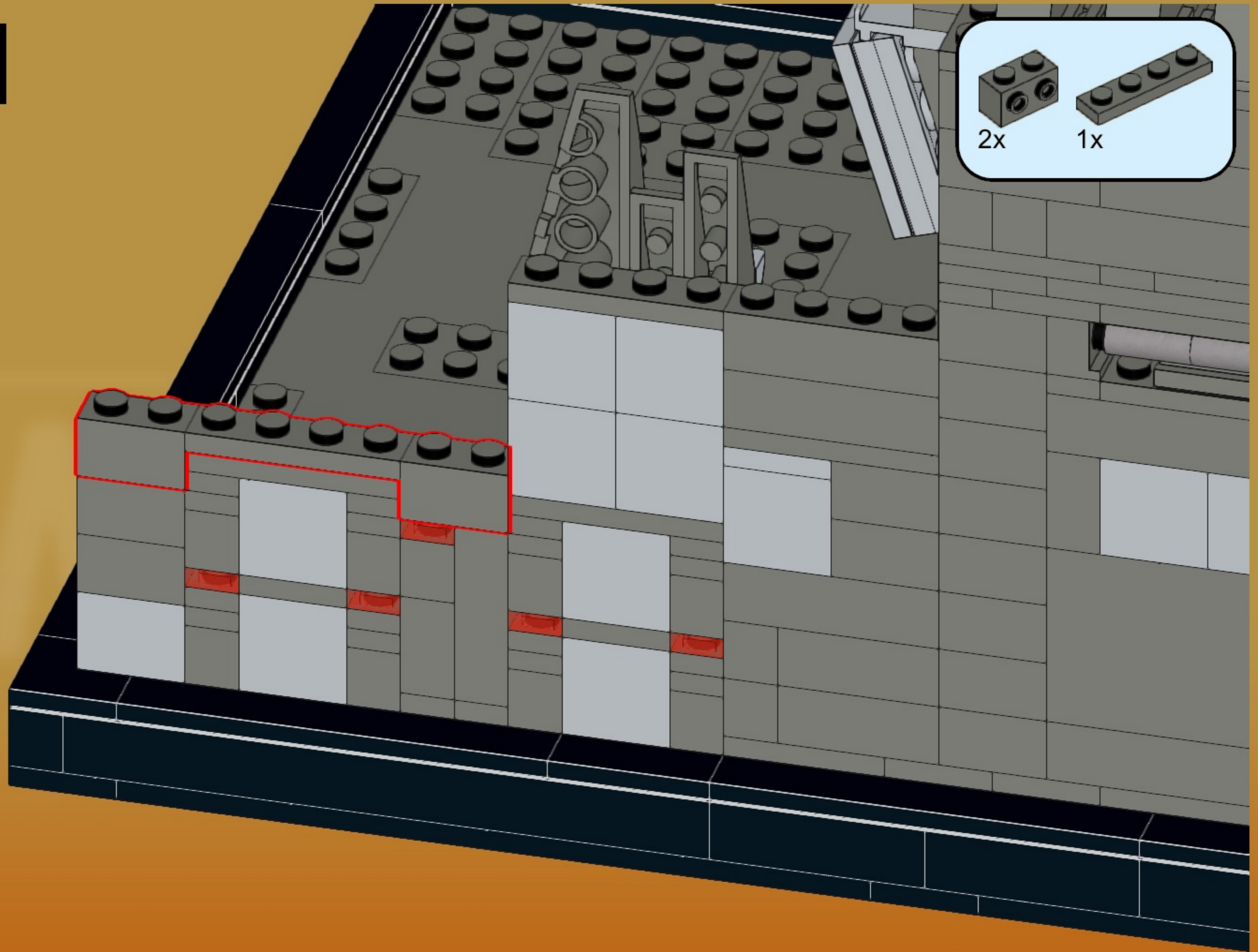


1x 1x 1x 1x 1x

This block contains five items with their respective quantities: a red 1x1 Technic brick with a hole, a grey 1x2 Technic brick, a grey 1x4 Technic brick, a grey 1x2 Technic brick with four holes, and a grey 1x4 Technic brick with four holes.



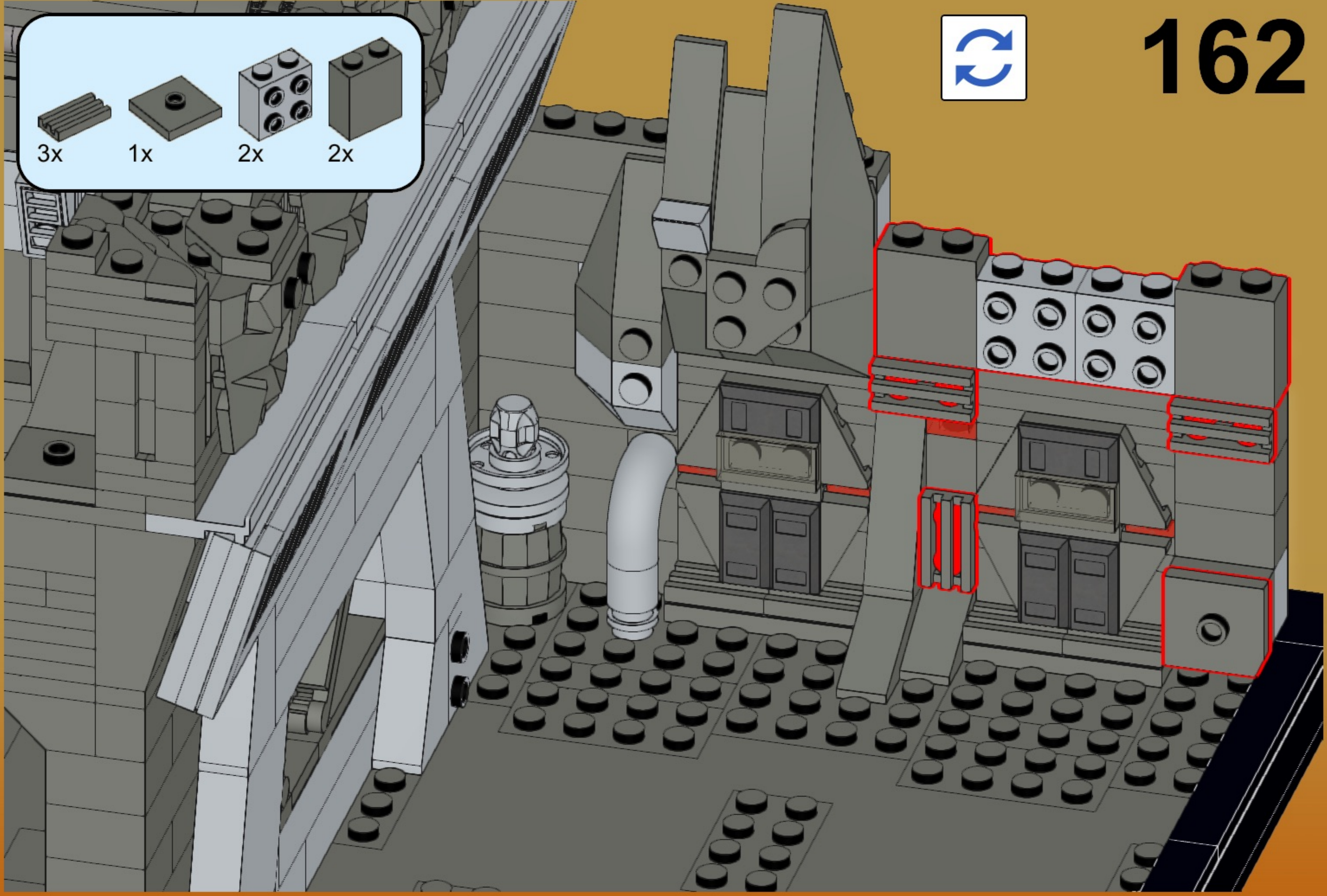
161



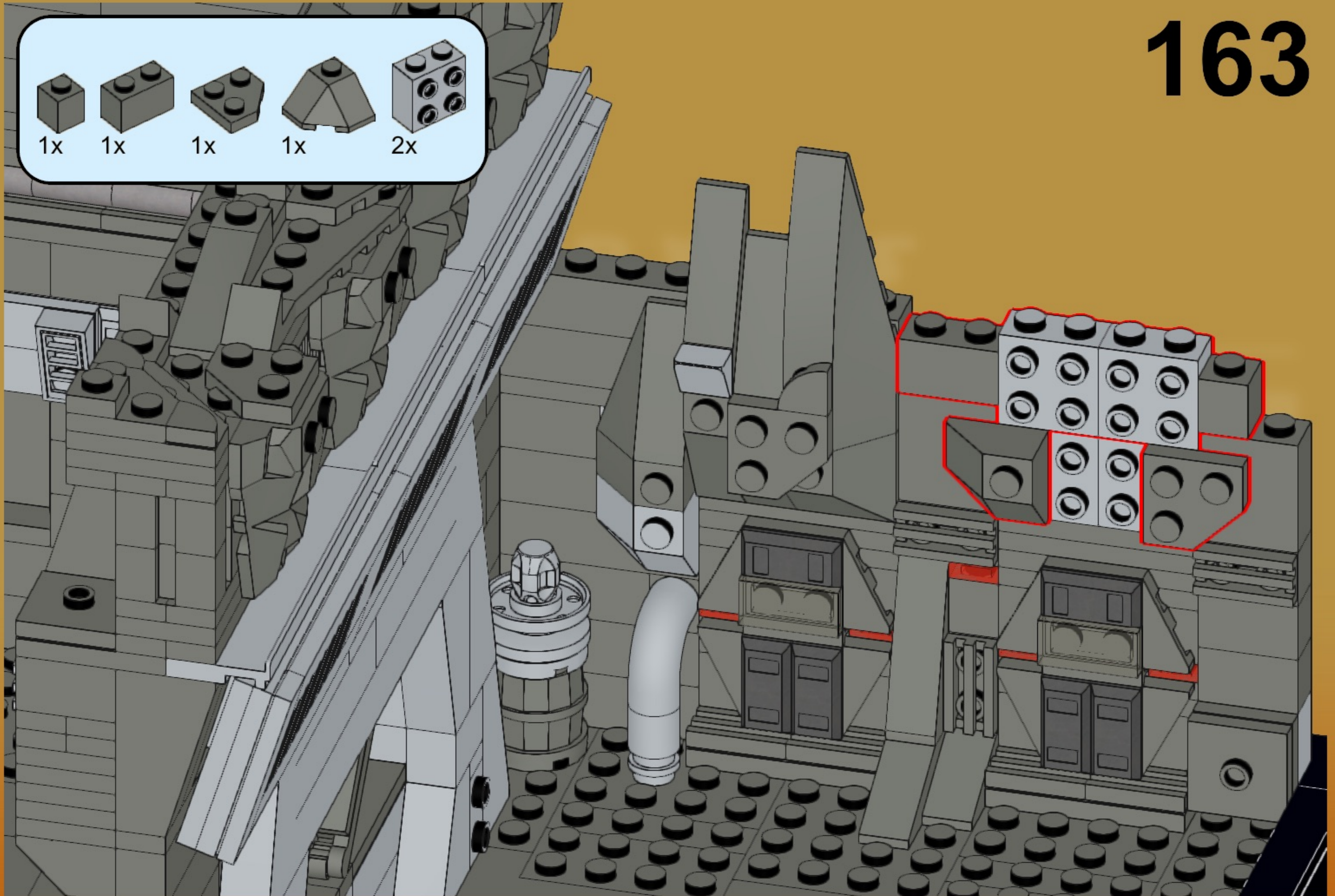
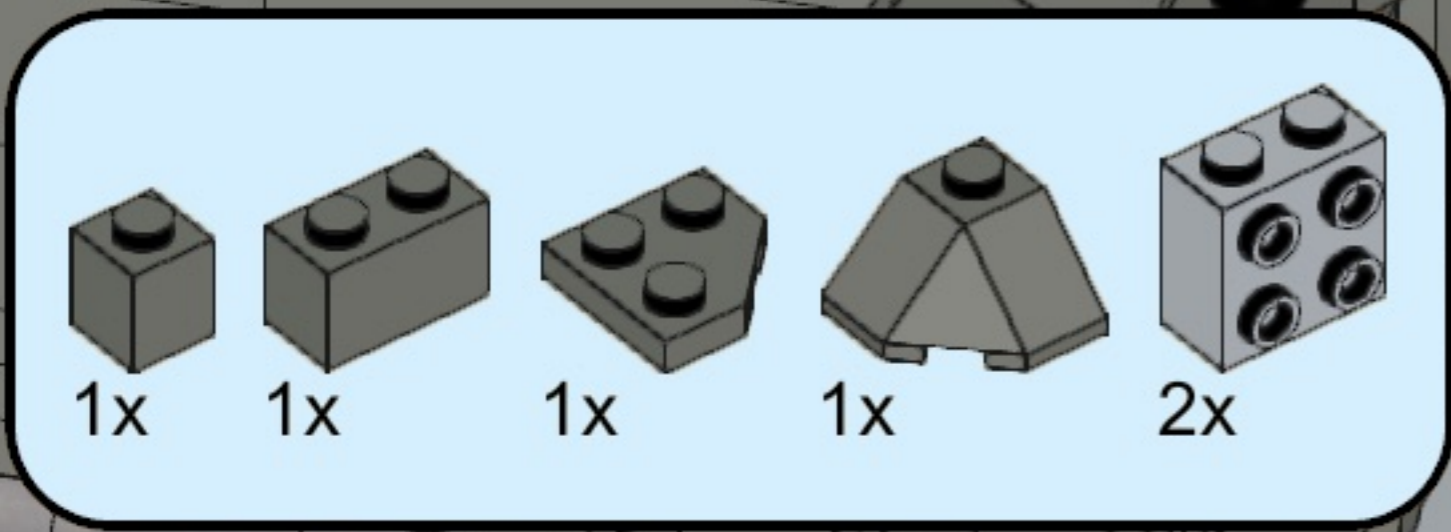


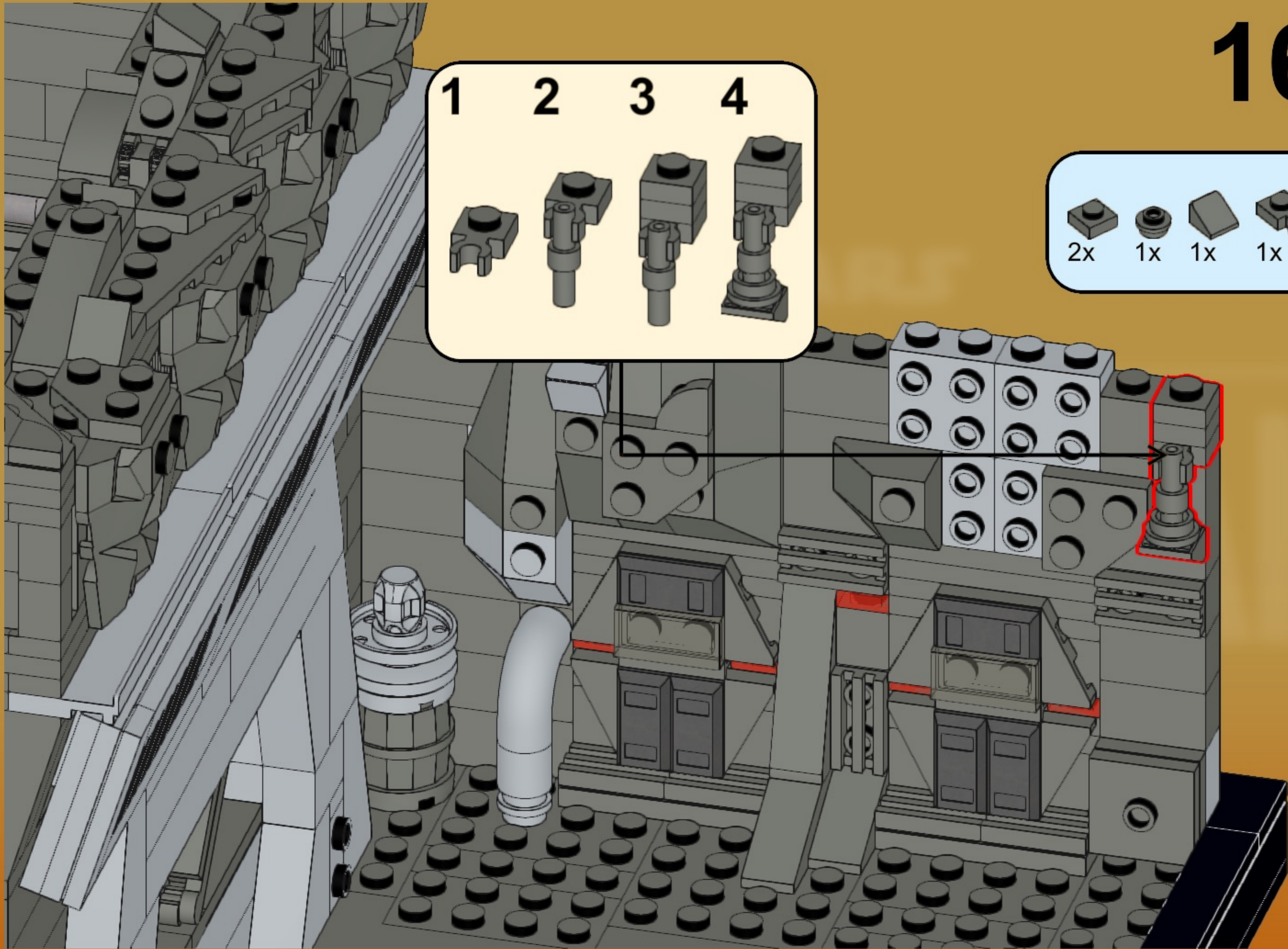
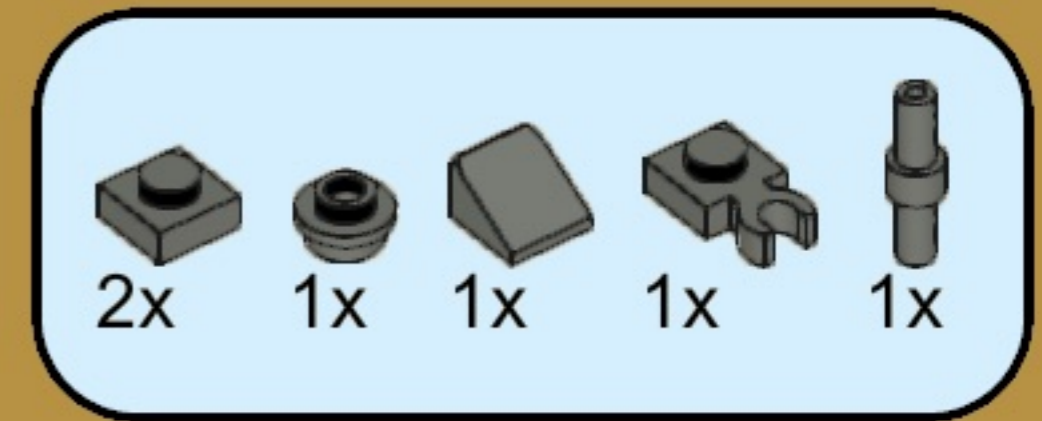
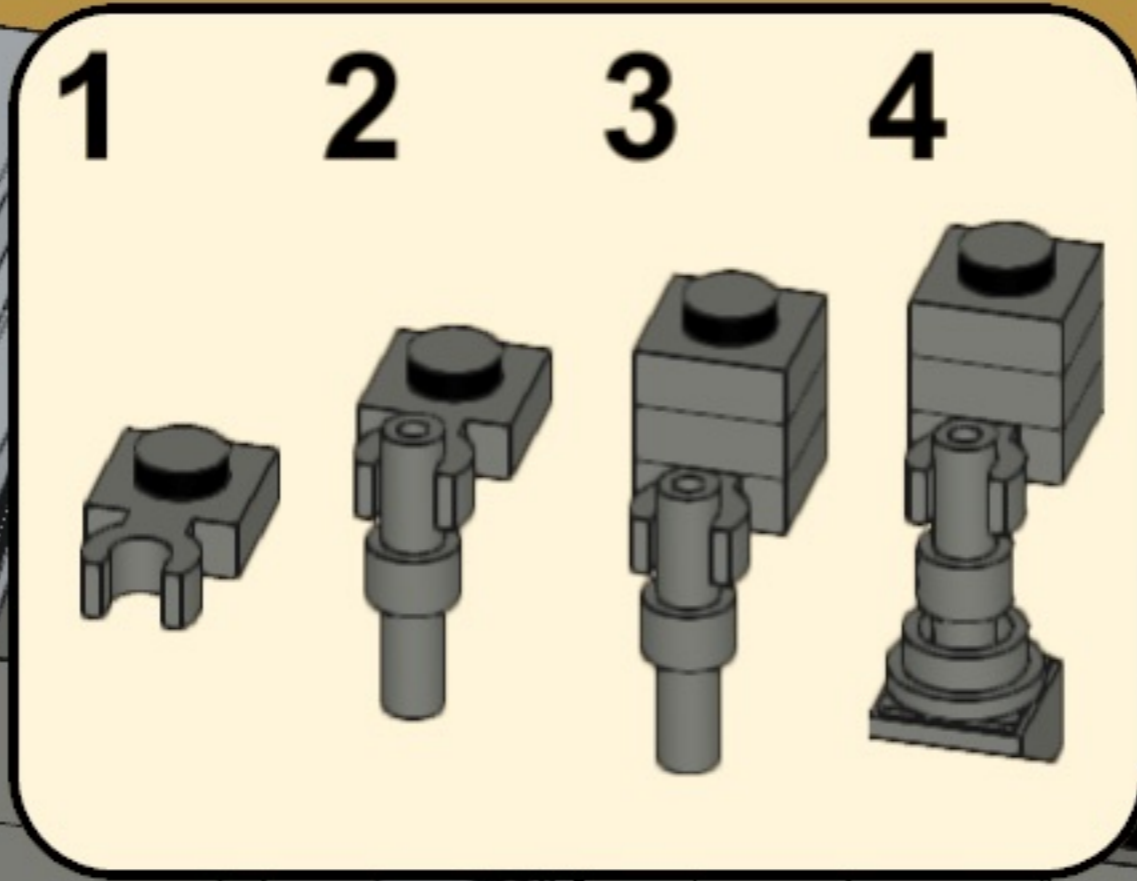
162

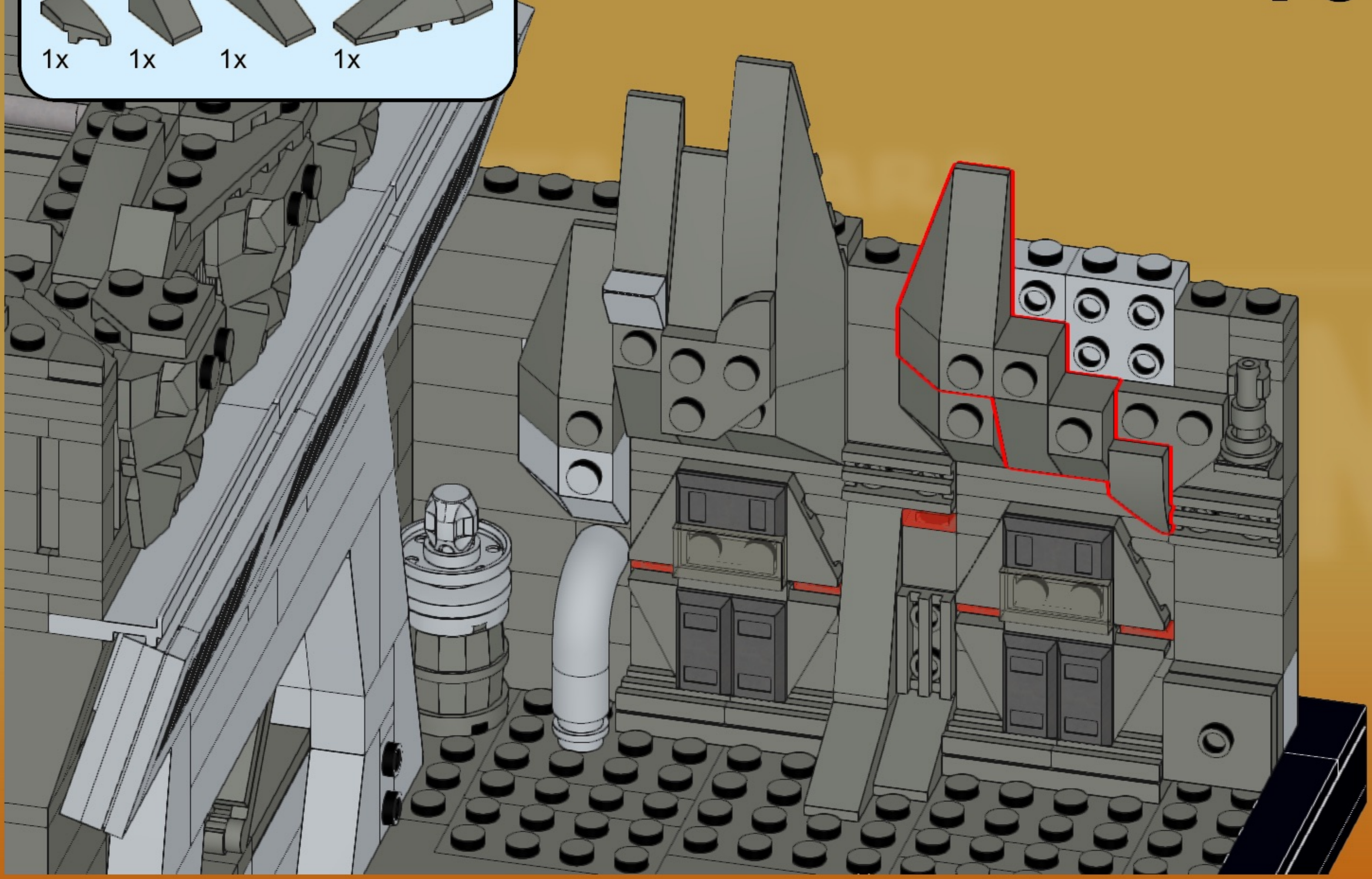
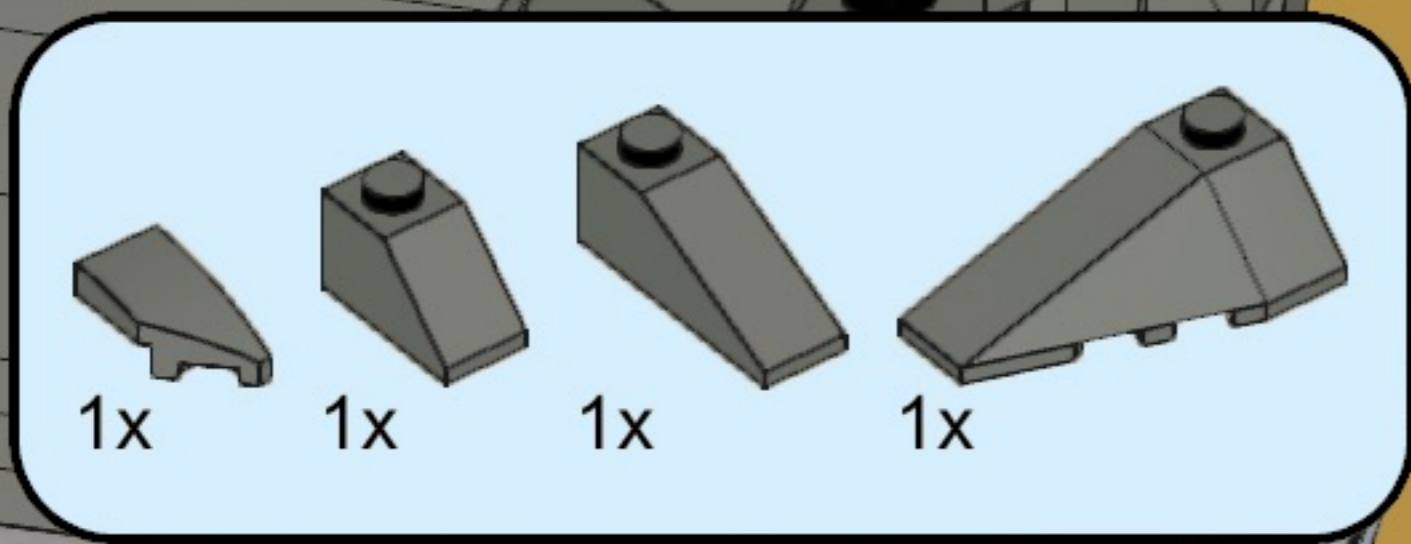
3x 1x 2x 2x

A light blue rounded rectangle containing four items: a grey 3-way Technic axle, a grey 1x1 square Technic plate with a hole, a grey 2x2 square Technic brick with four holes, and a grey 2x1 rectangular Technic brick with two holes.

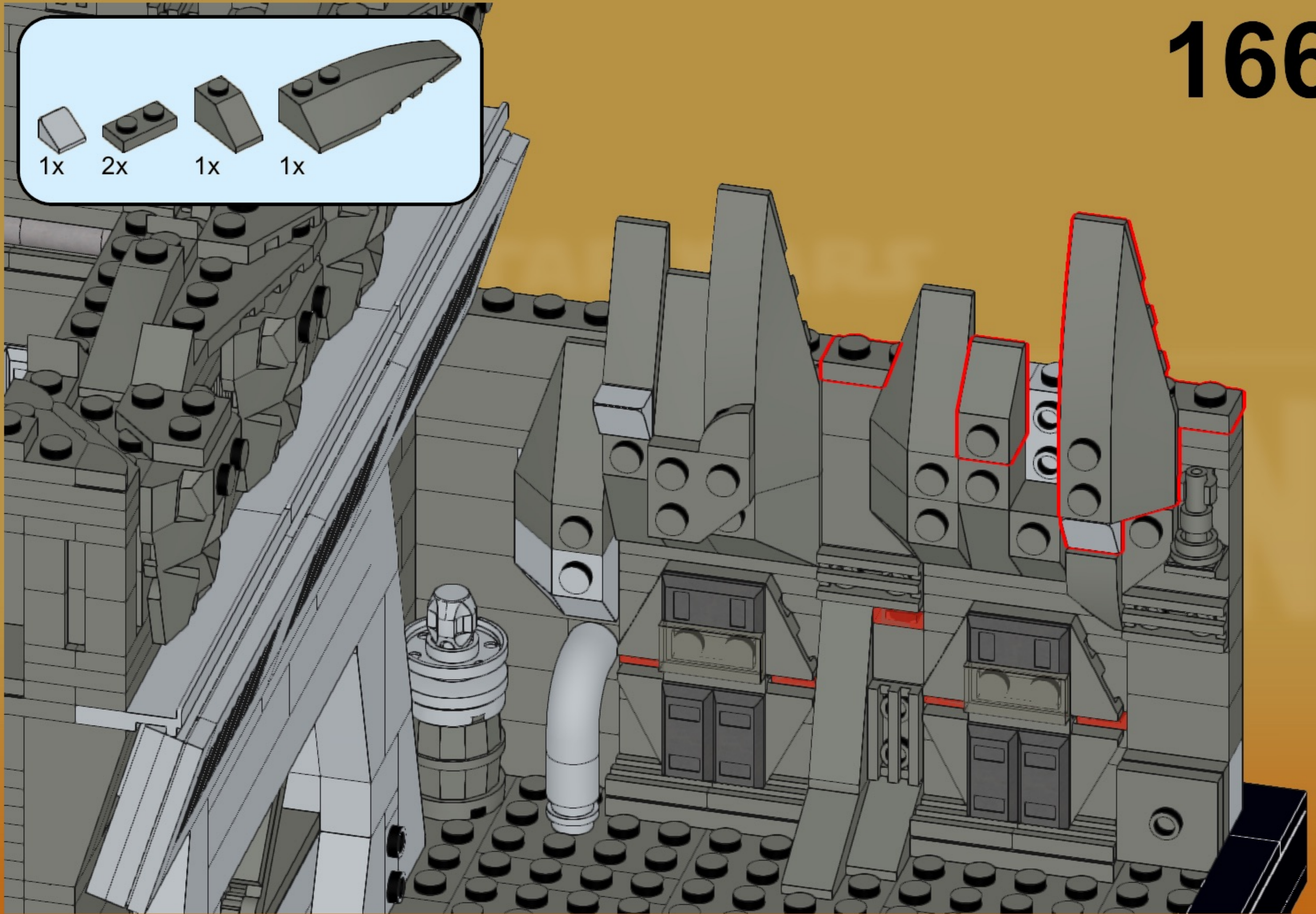
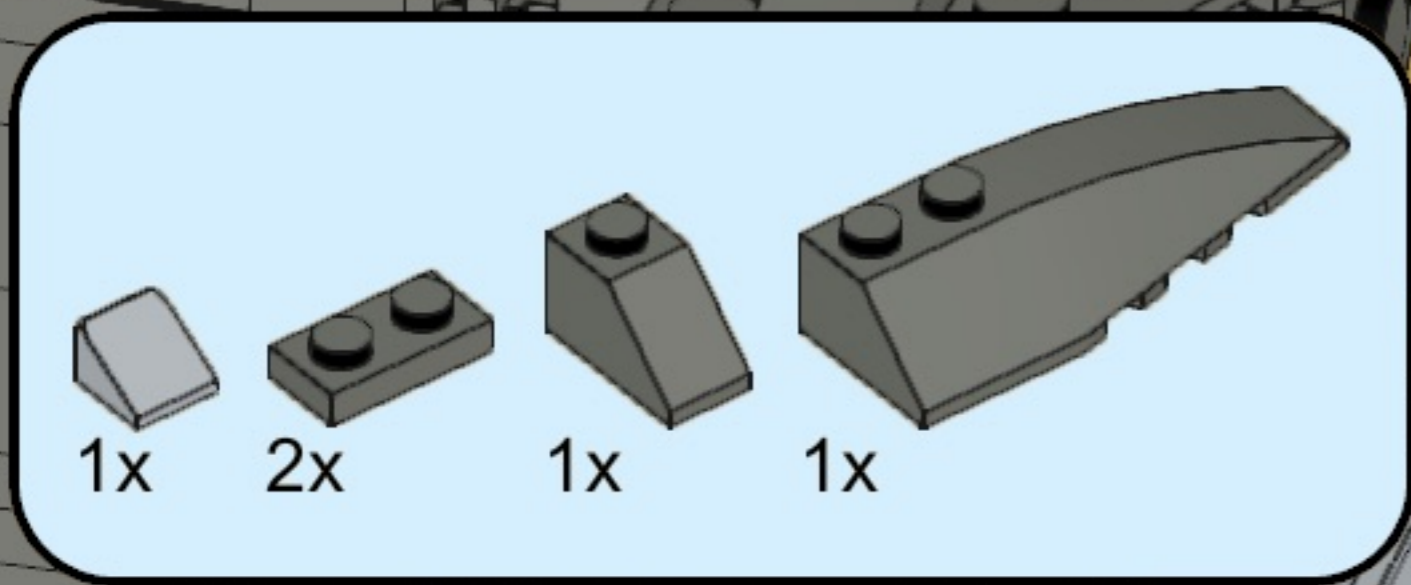
163

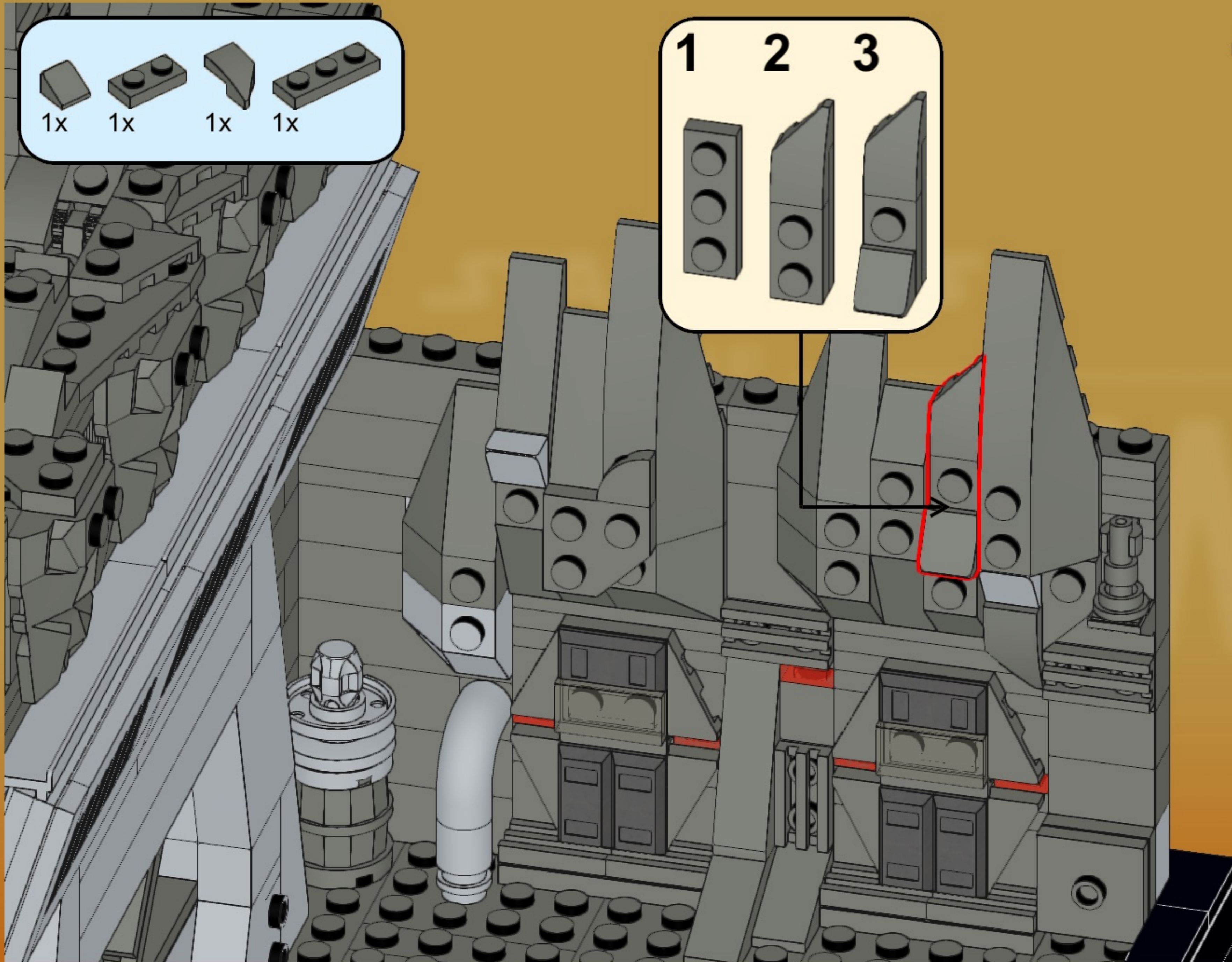
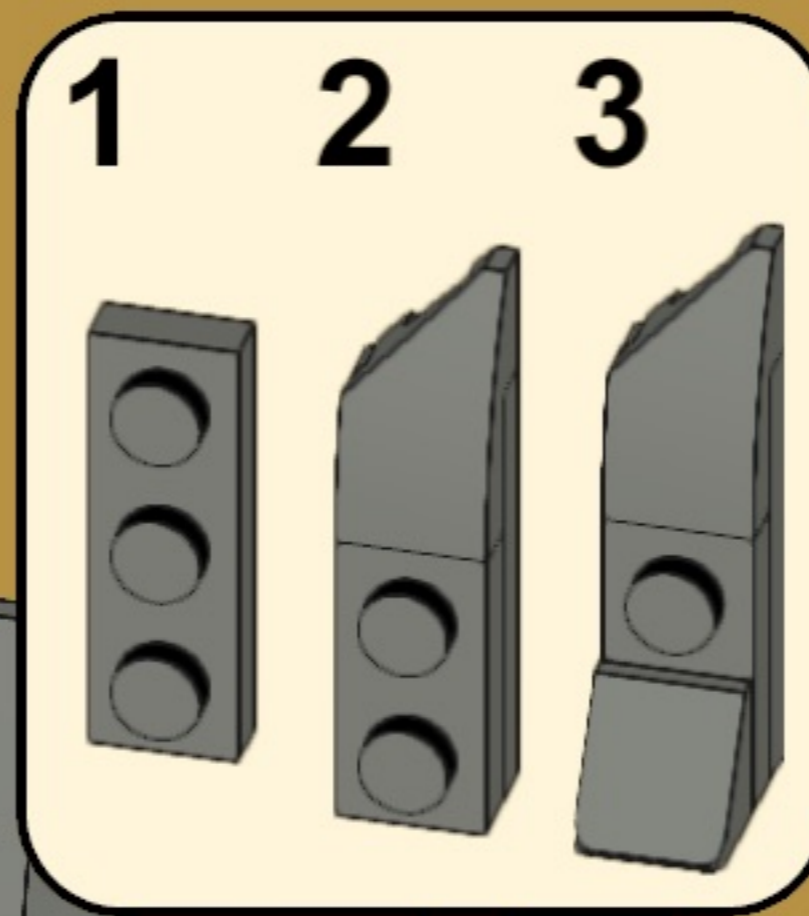
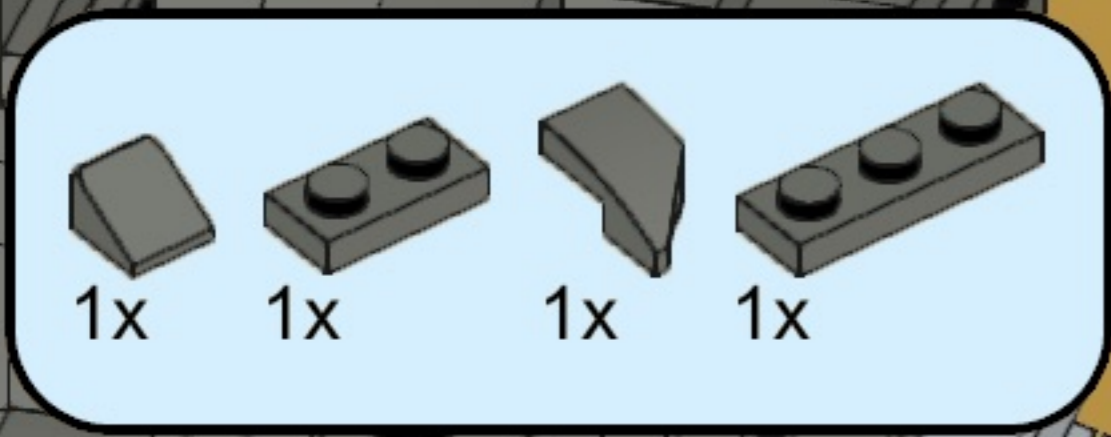


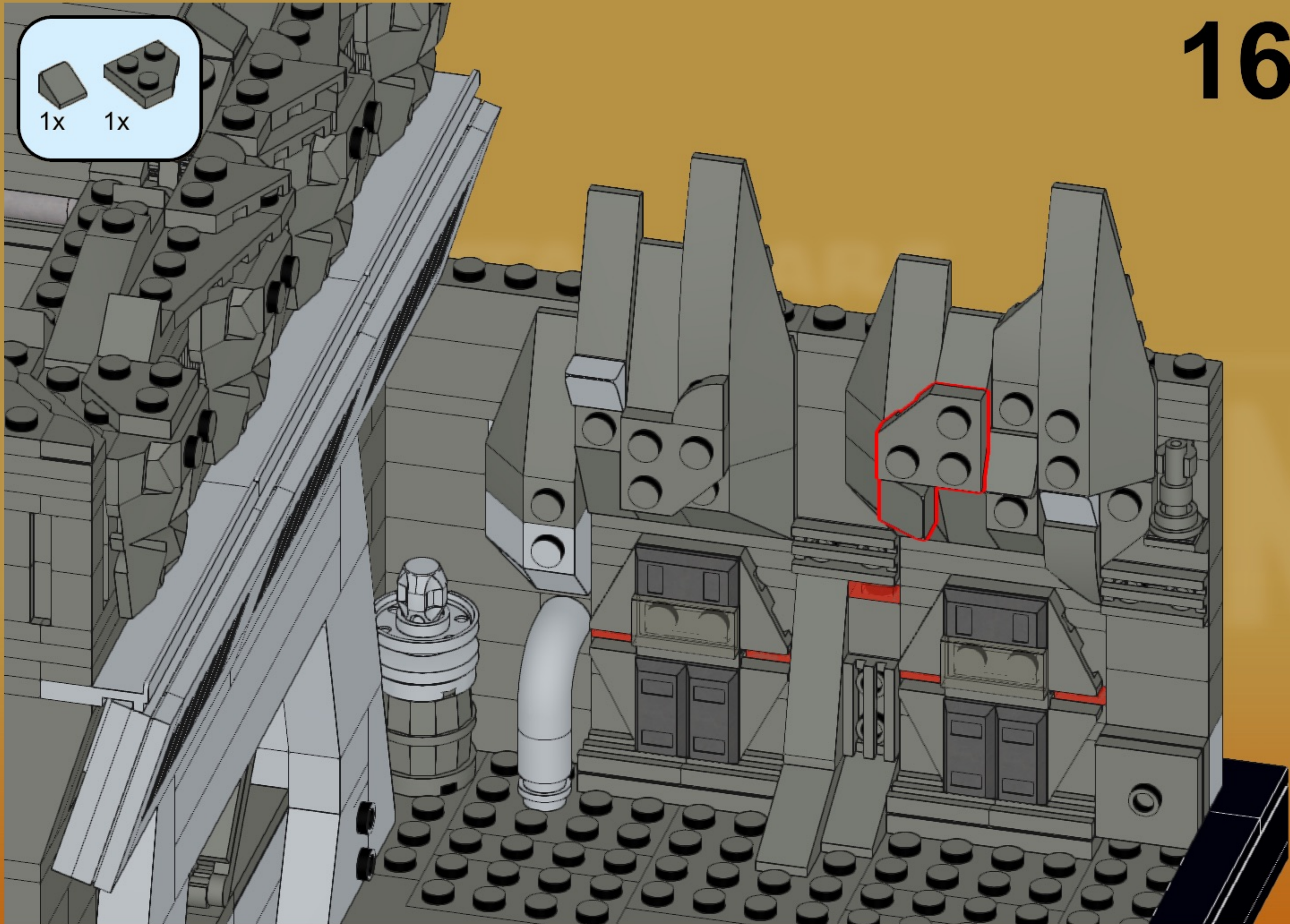
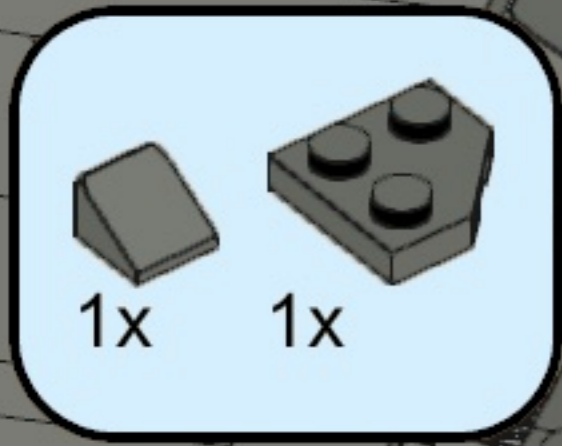


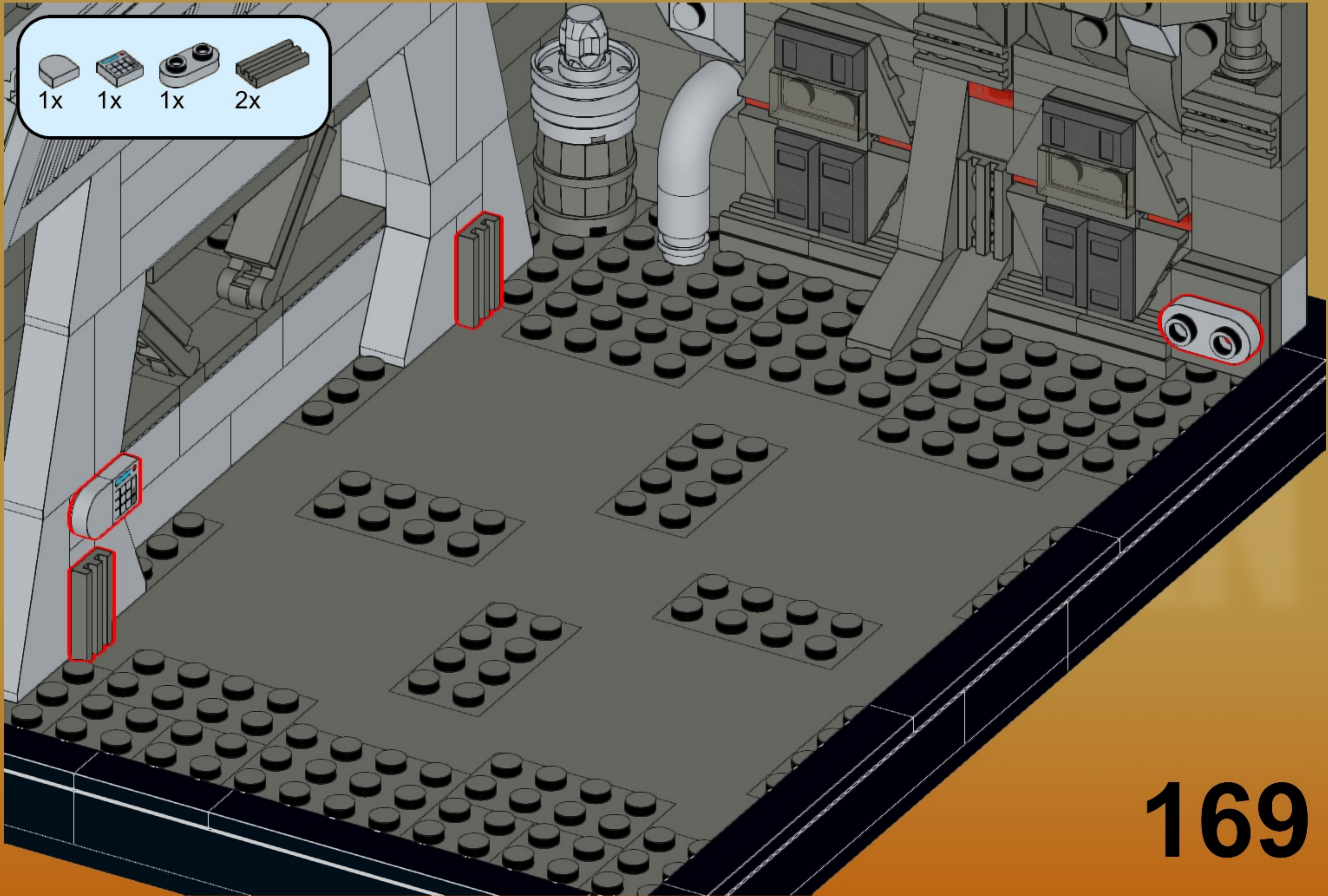


166





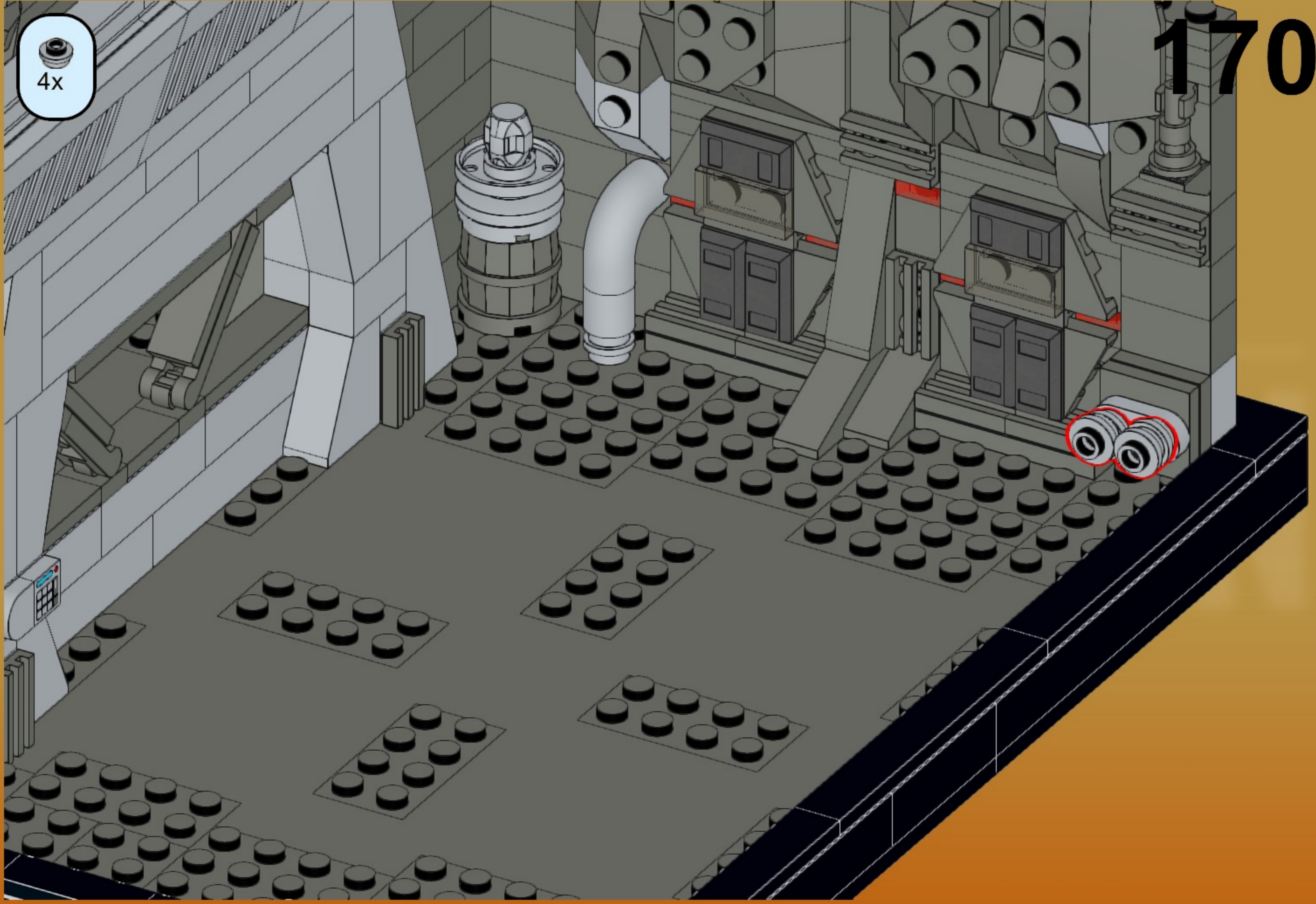


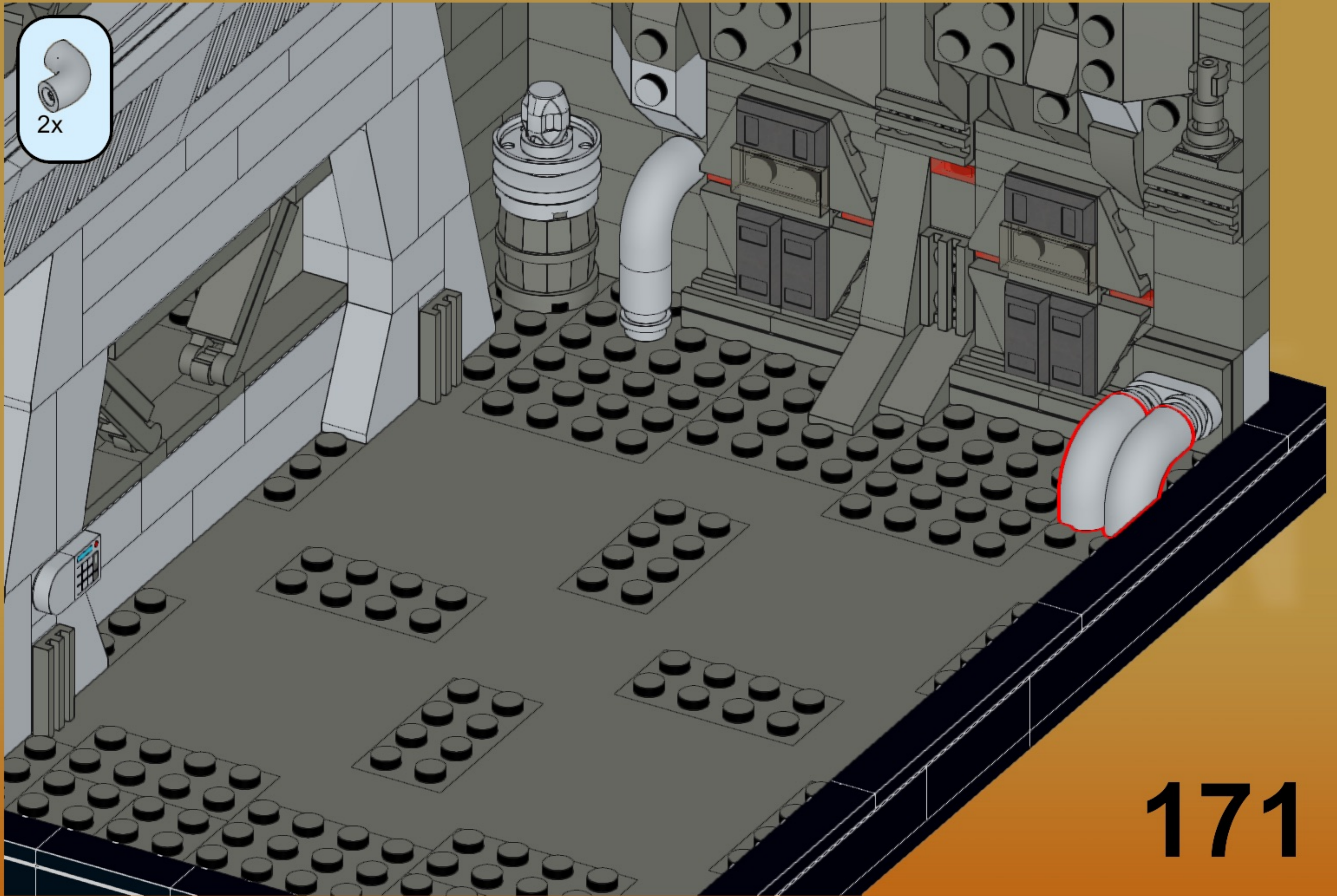
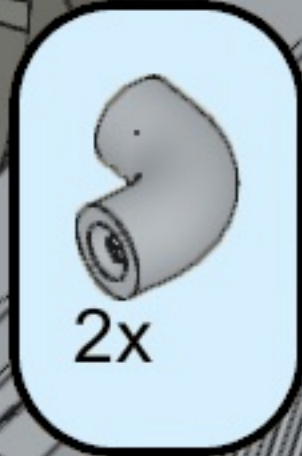


169

4x

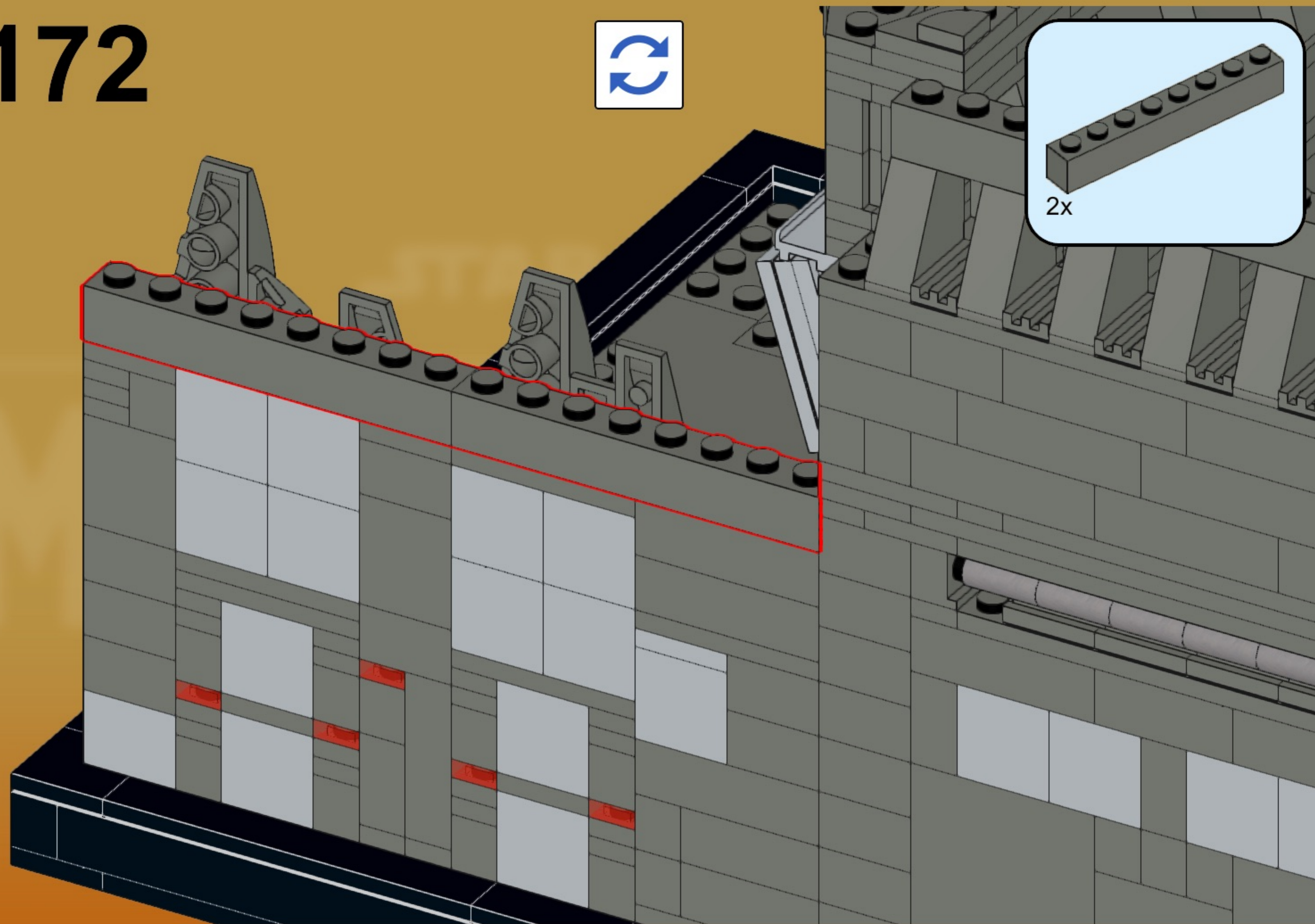
170



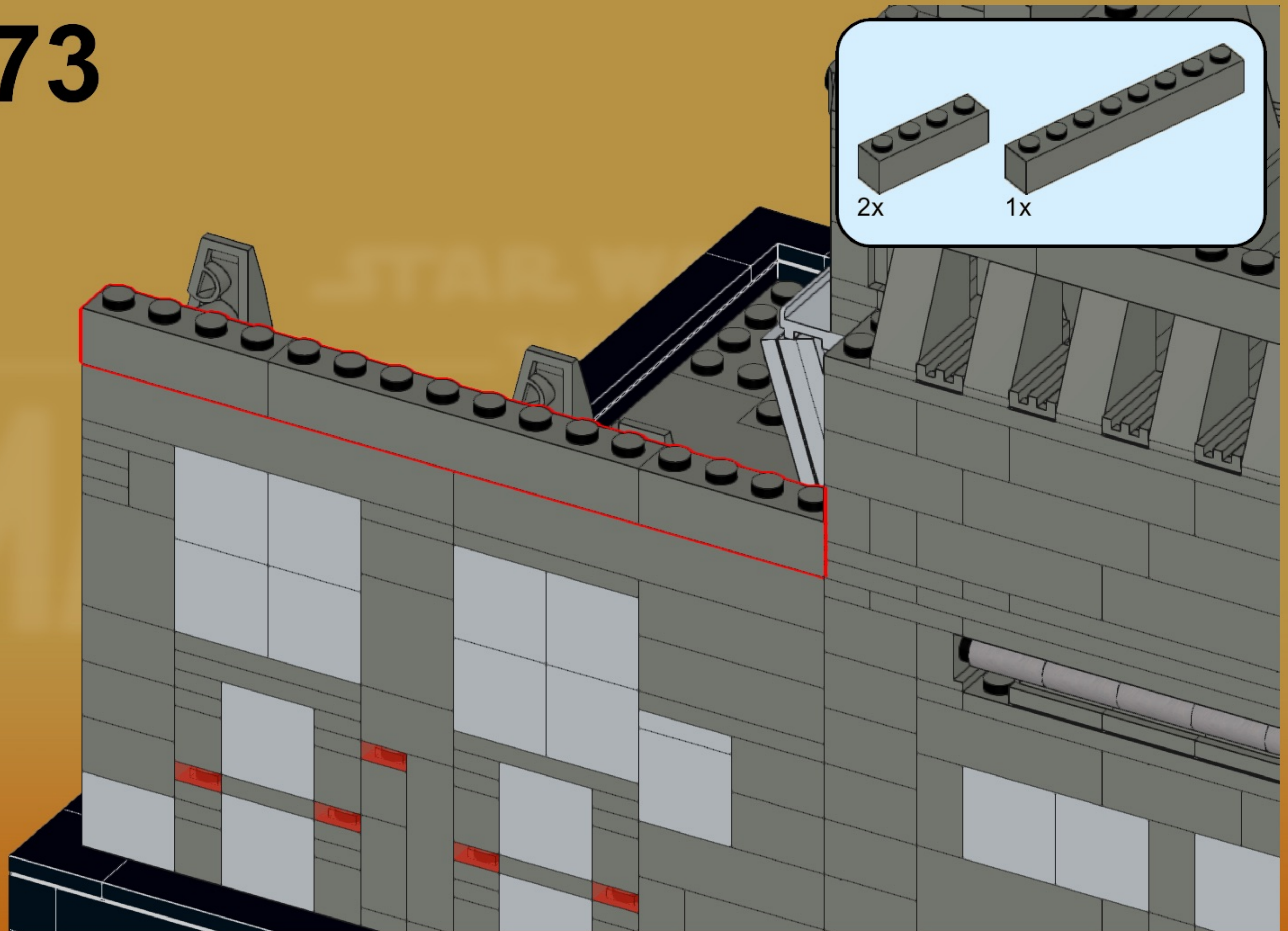


171

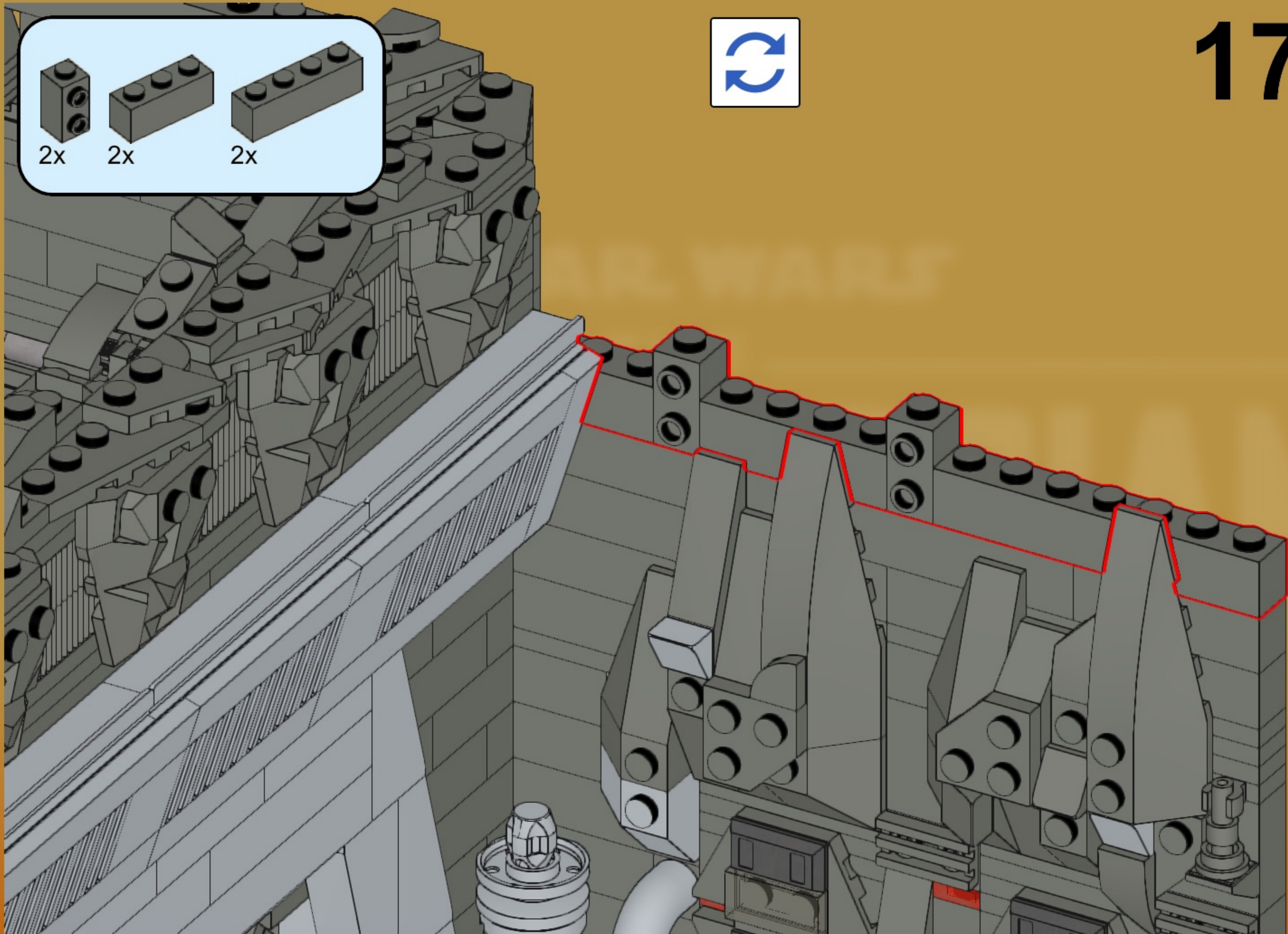
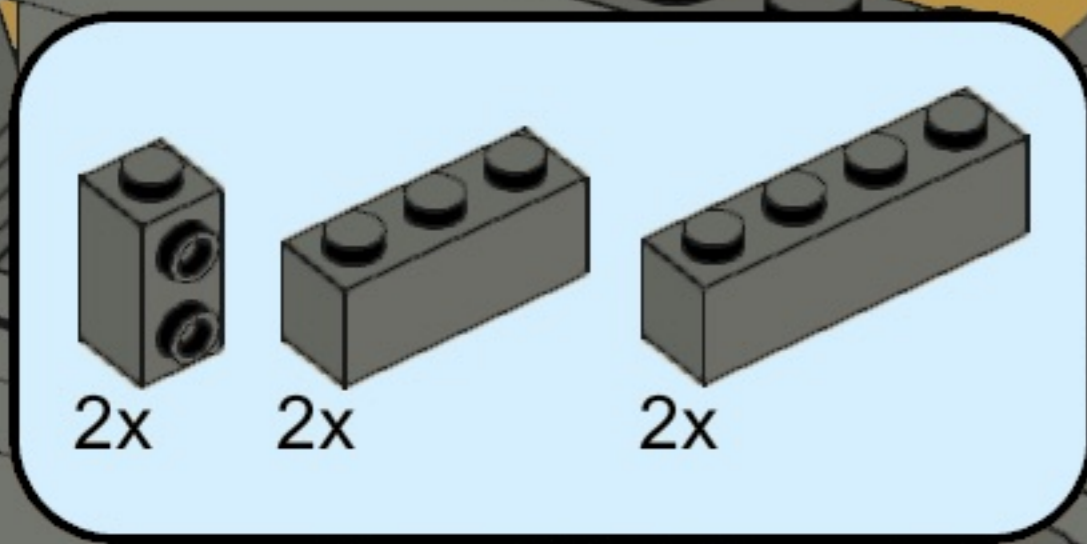
172




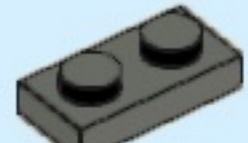

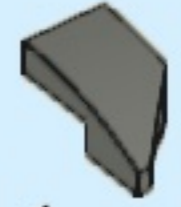

173


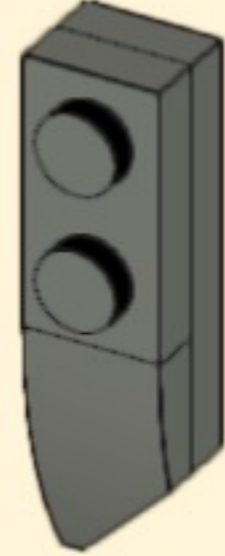
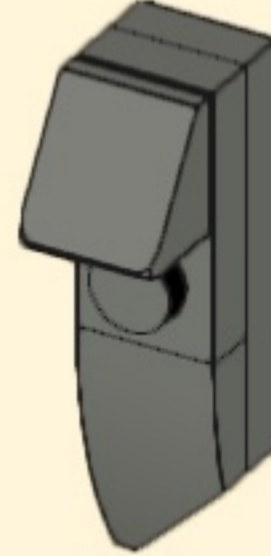


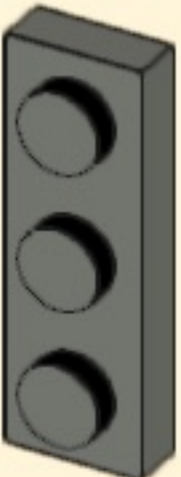
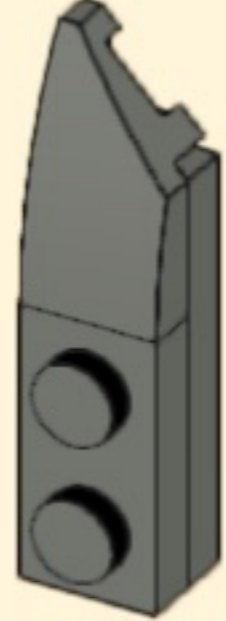
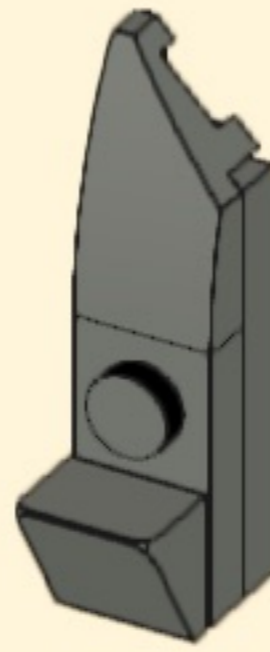
174

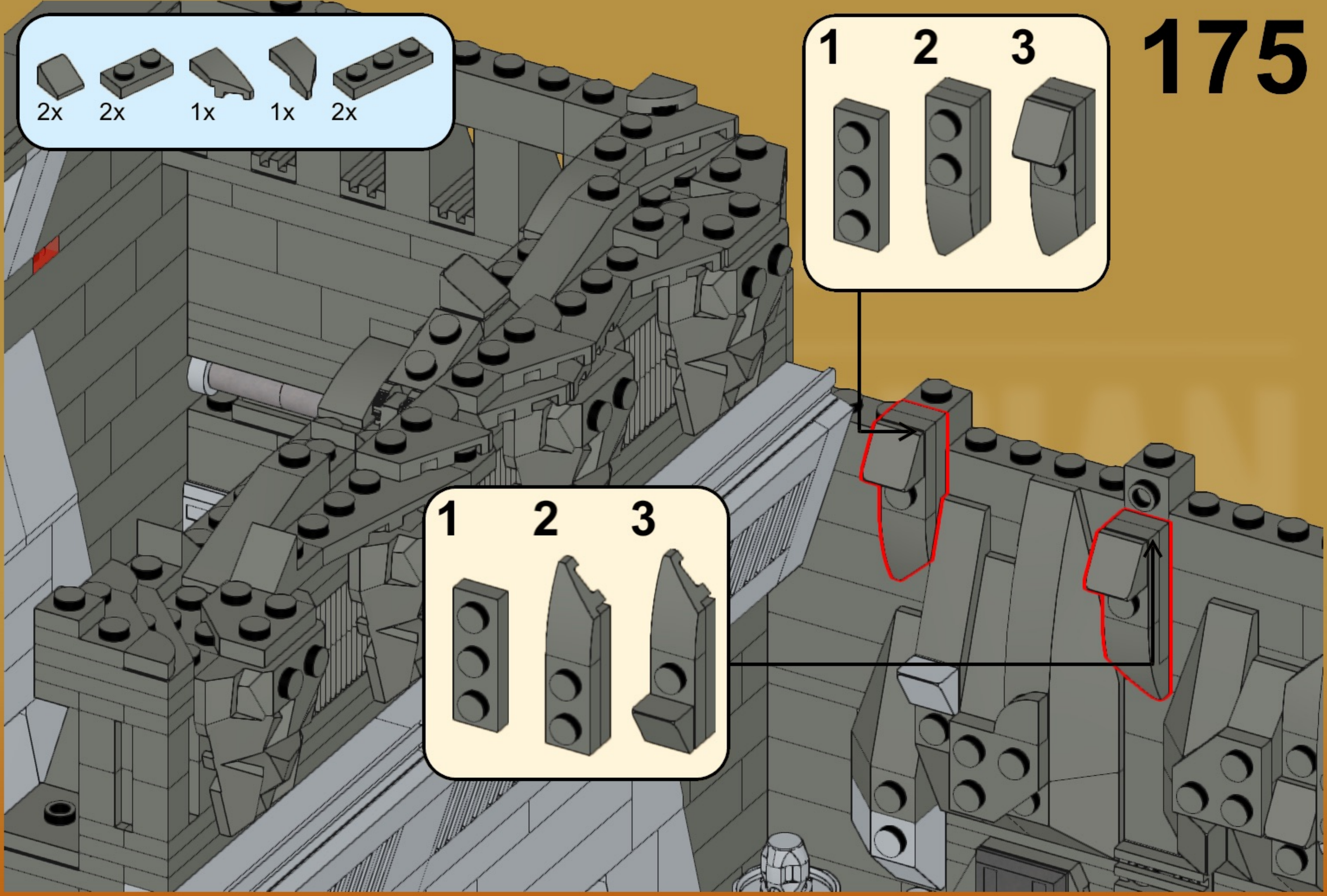


175

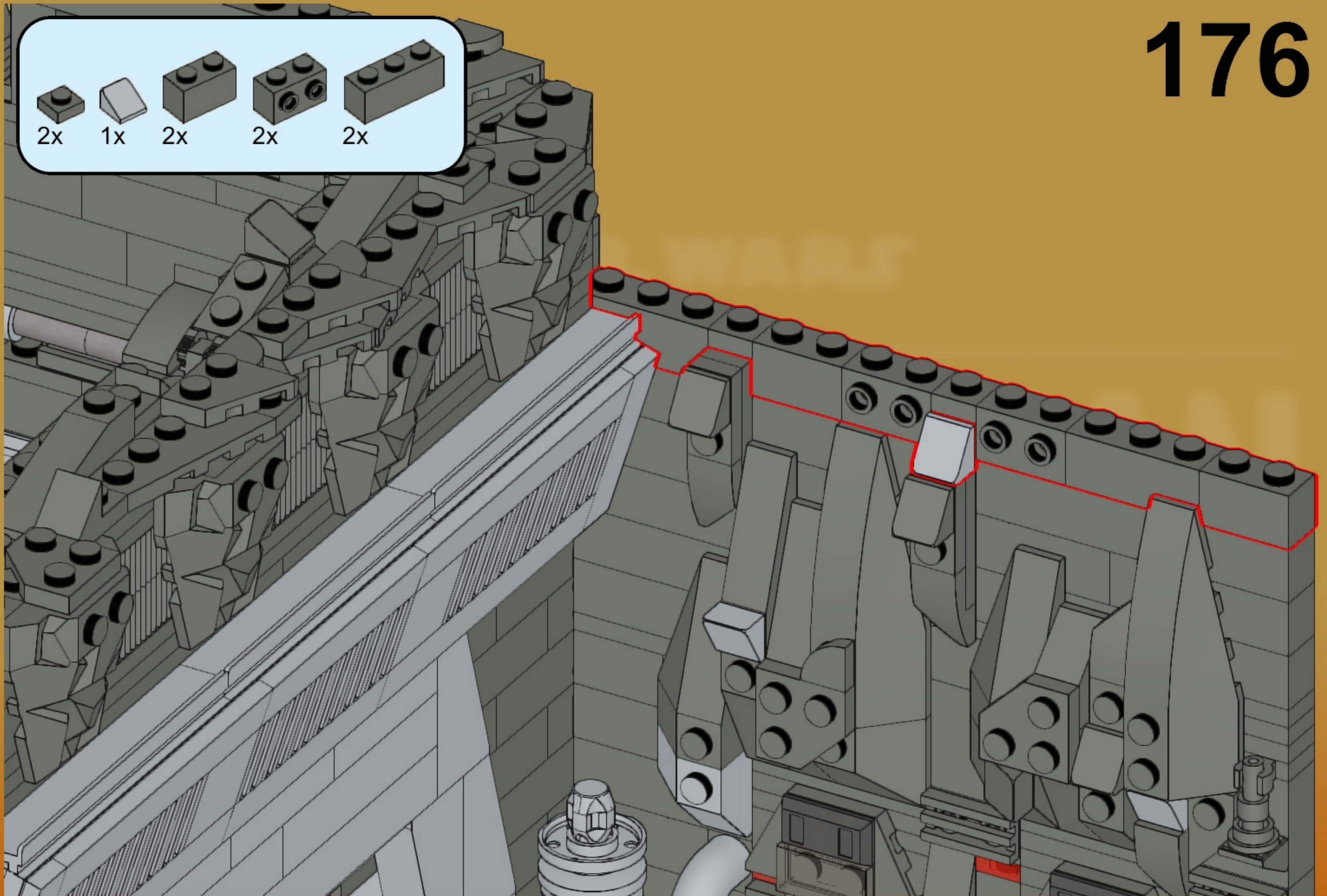
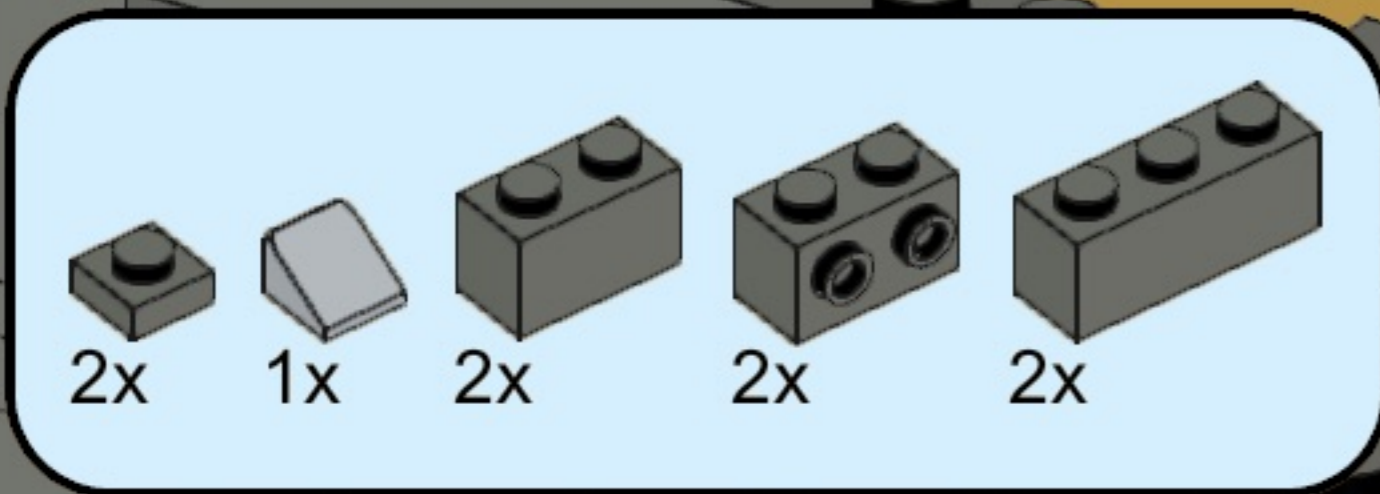
- 2x 
- 2x 
- 1x 
- 1x 
- 2x 

- 1 
- 2 
- 3 

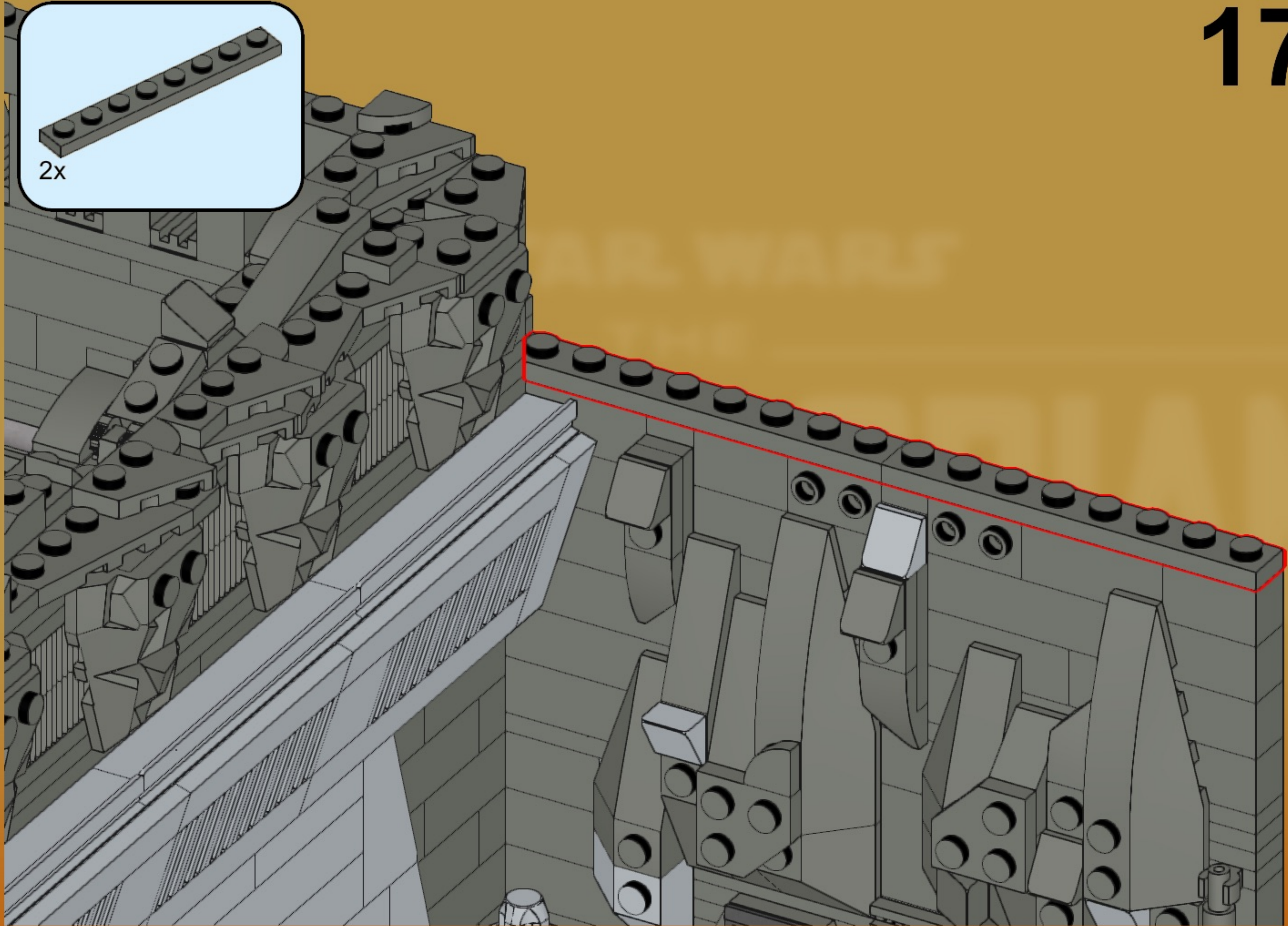
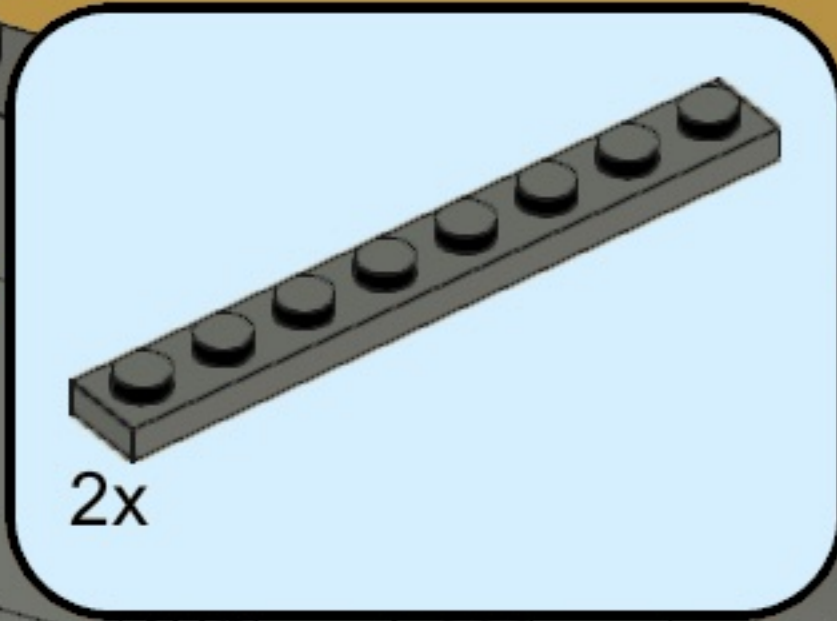
- 1 
- 2 
- 3 

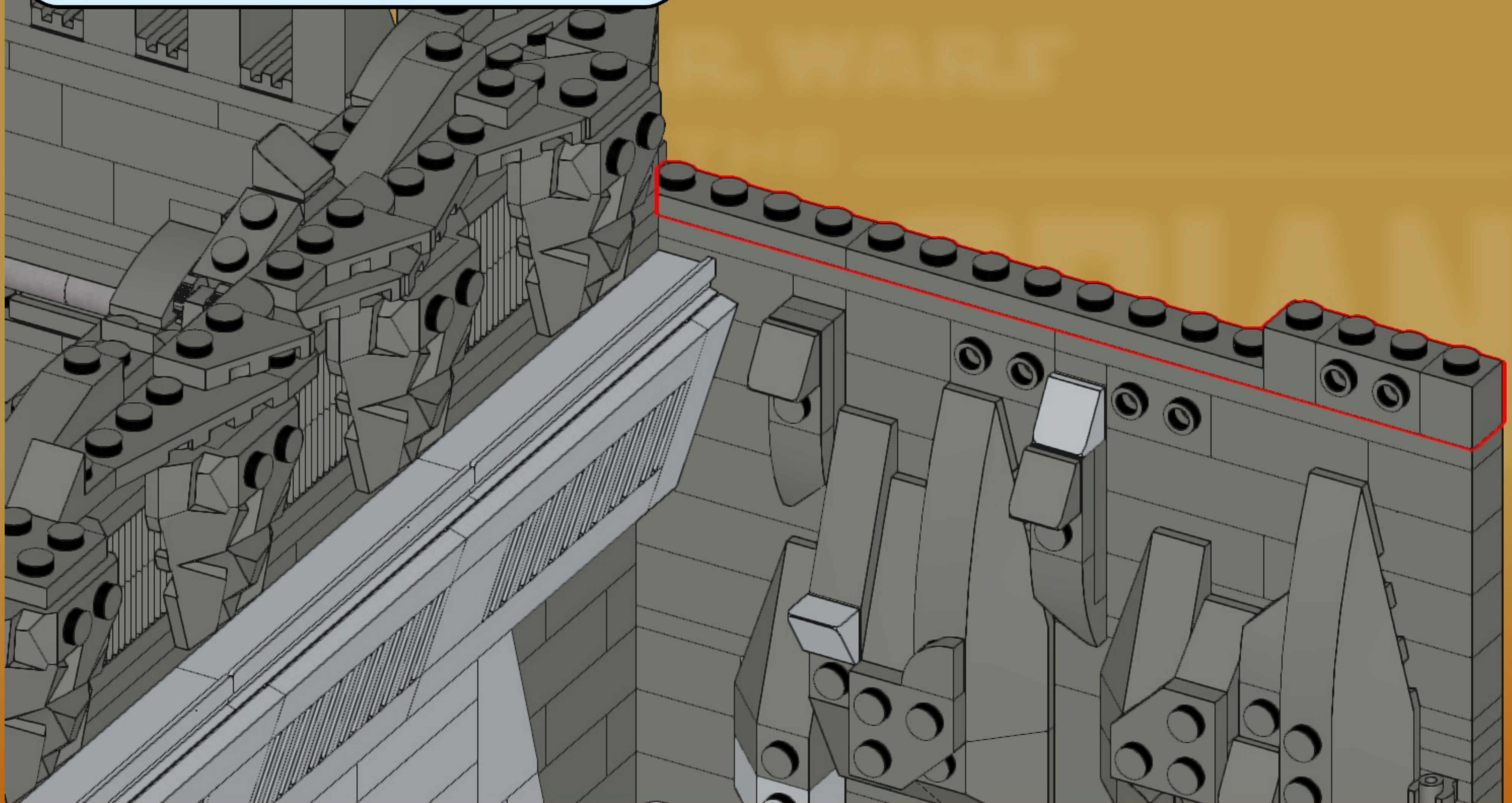
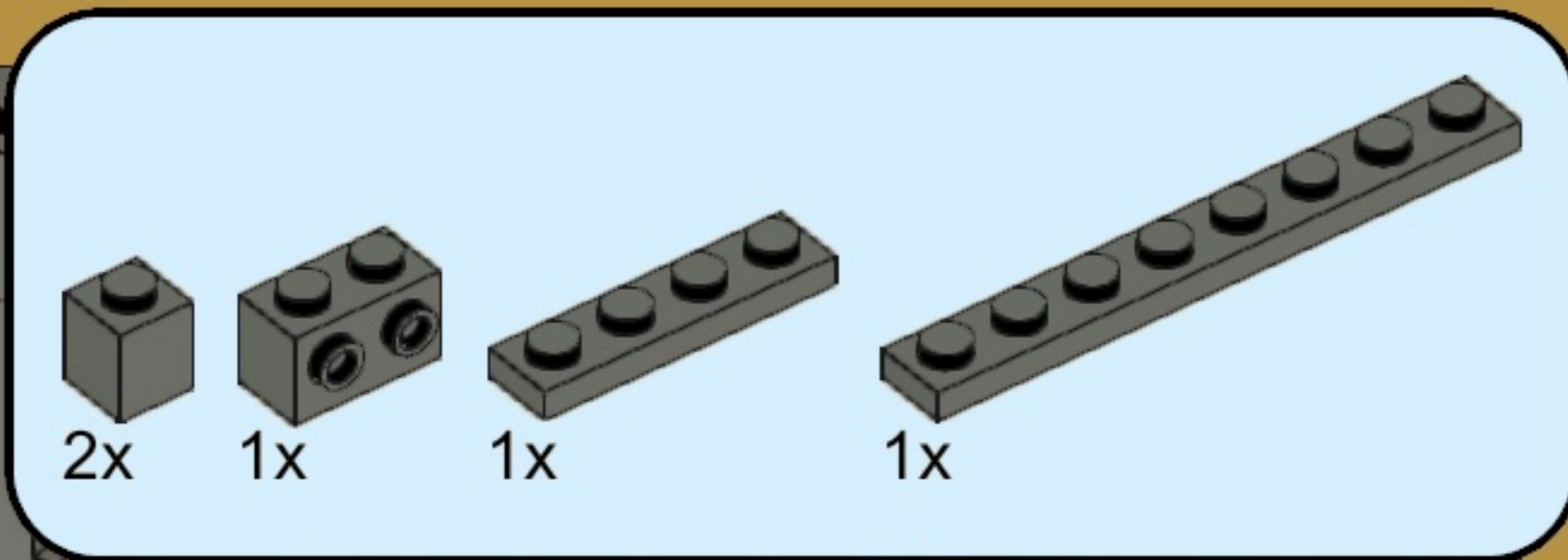


176

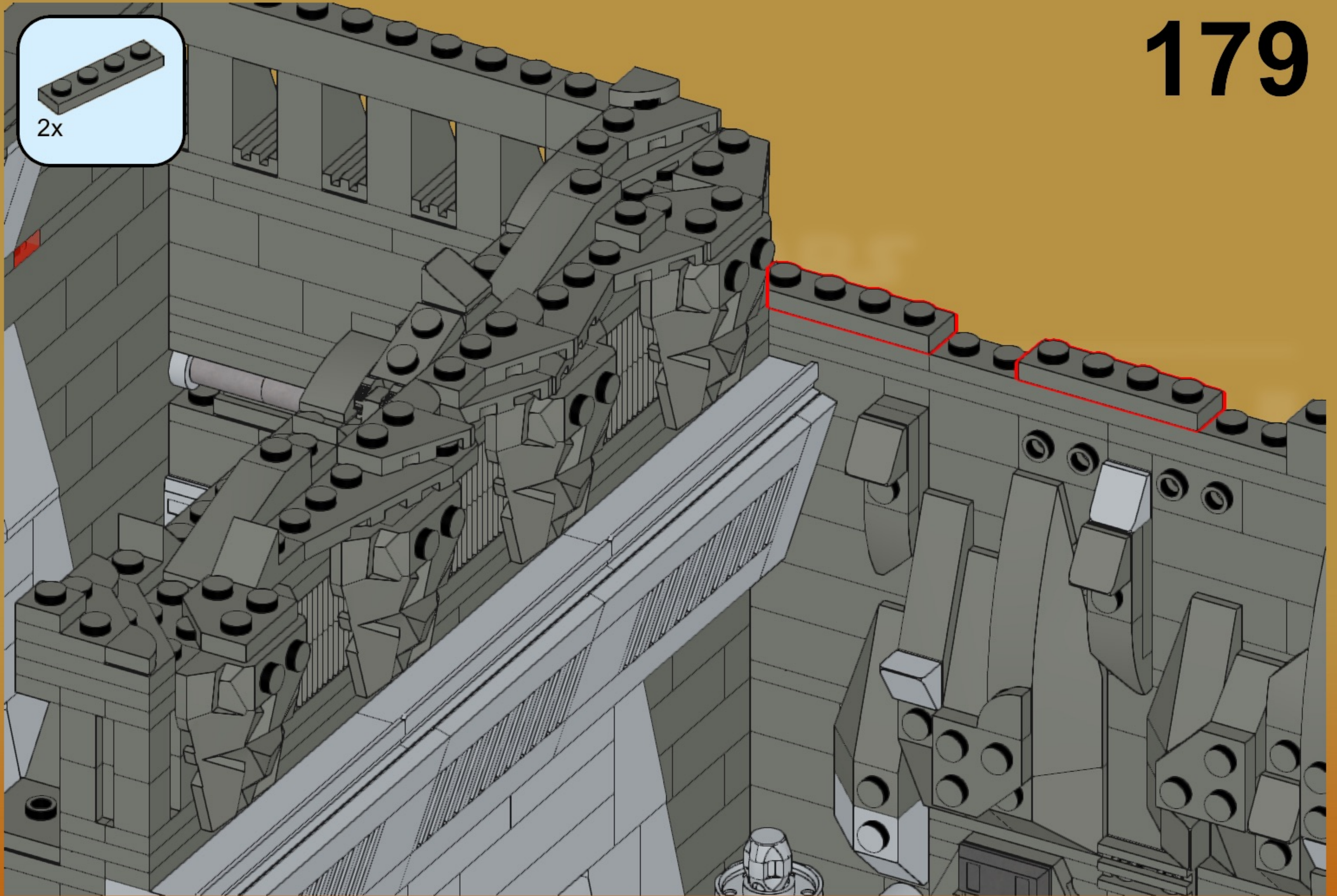
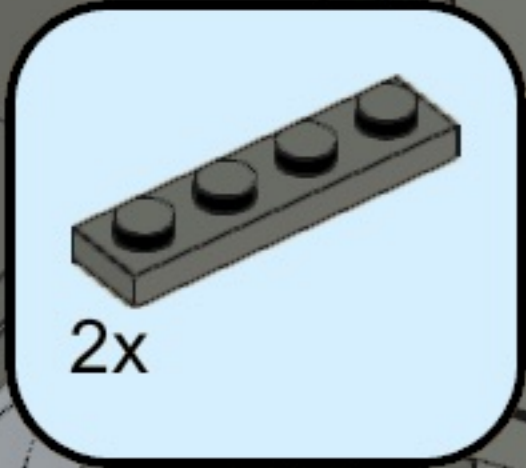


177

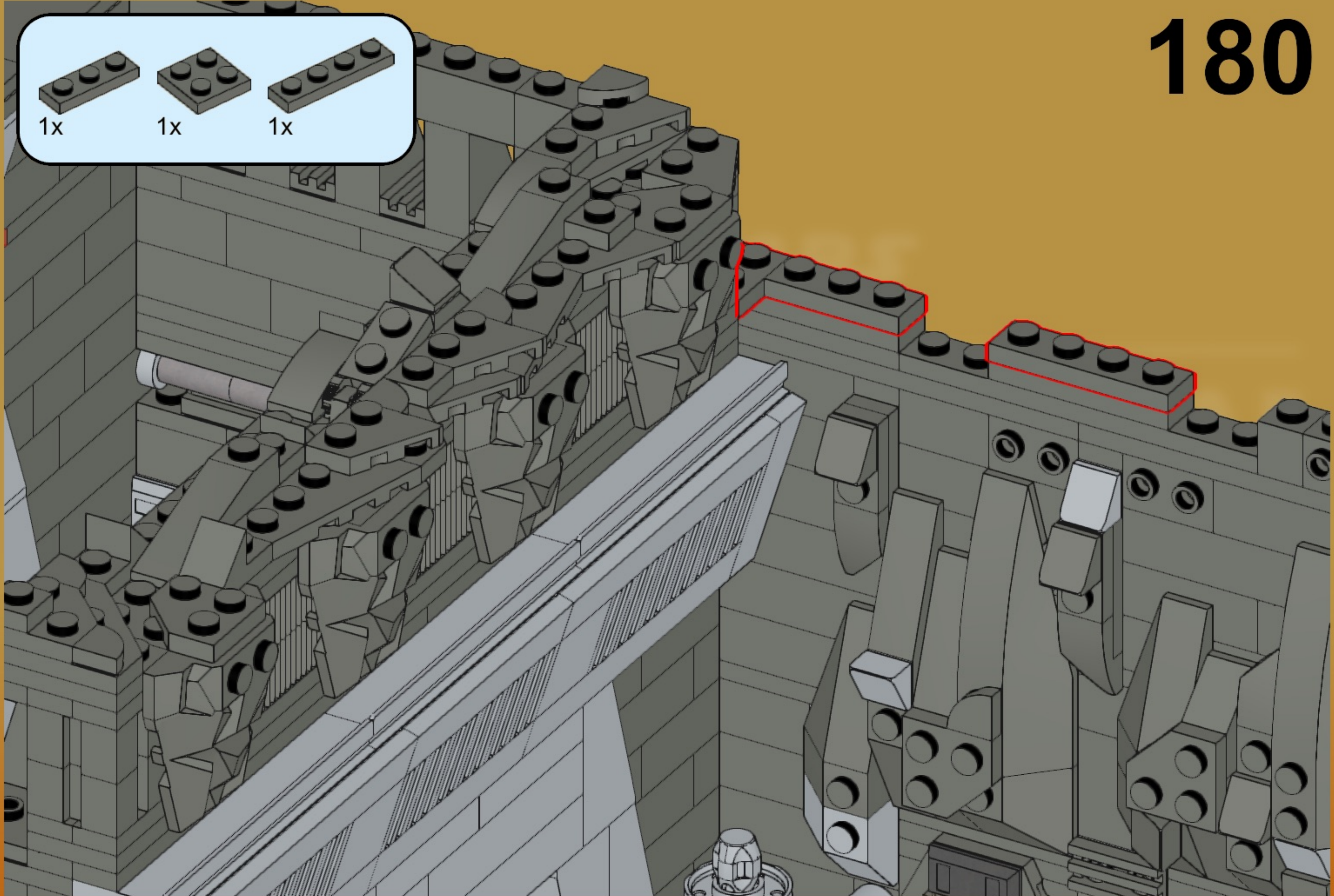
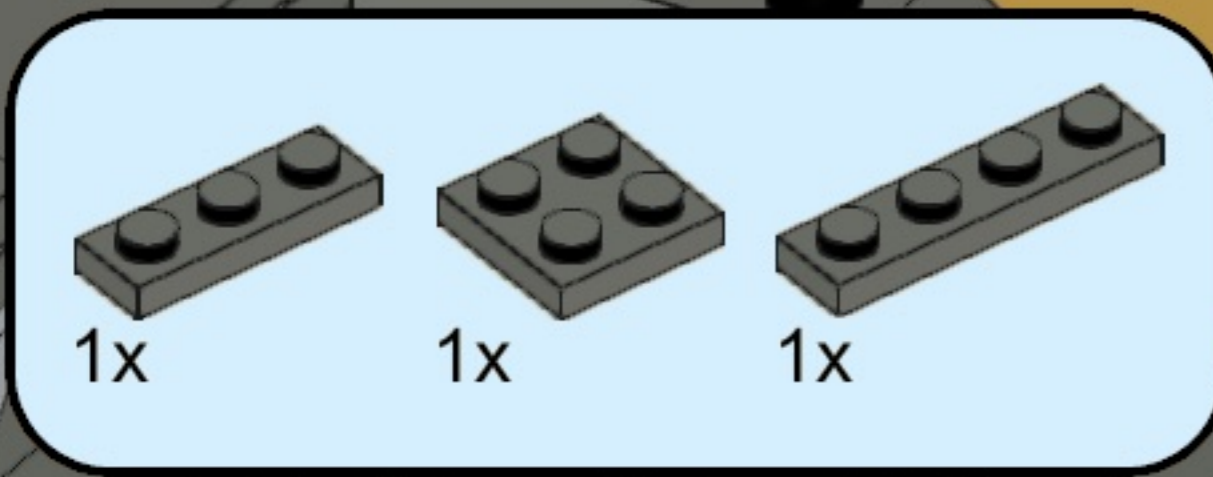


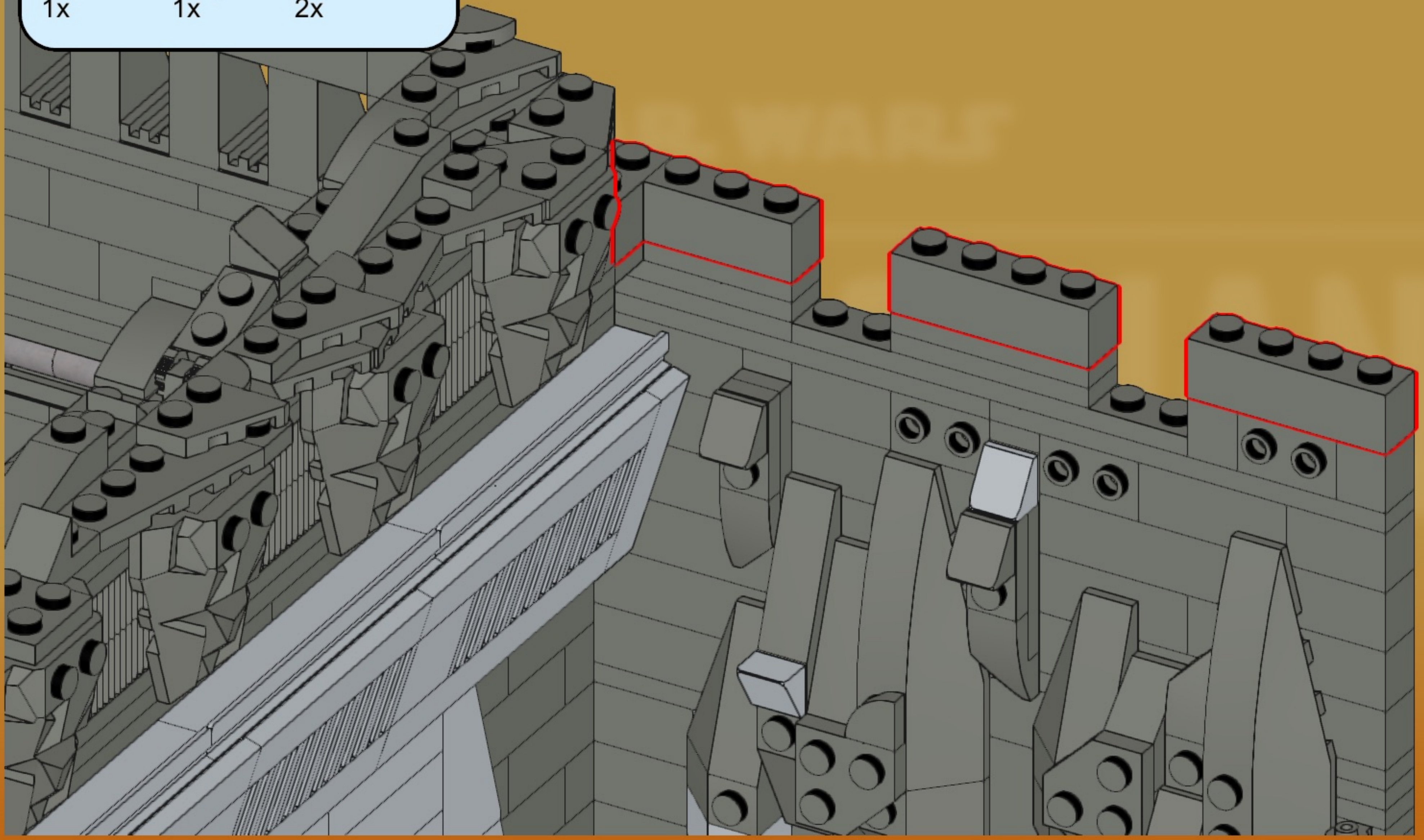
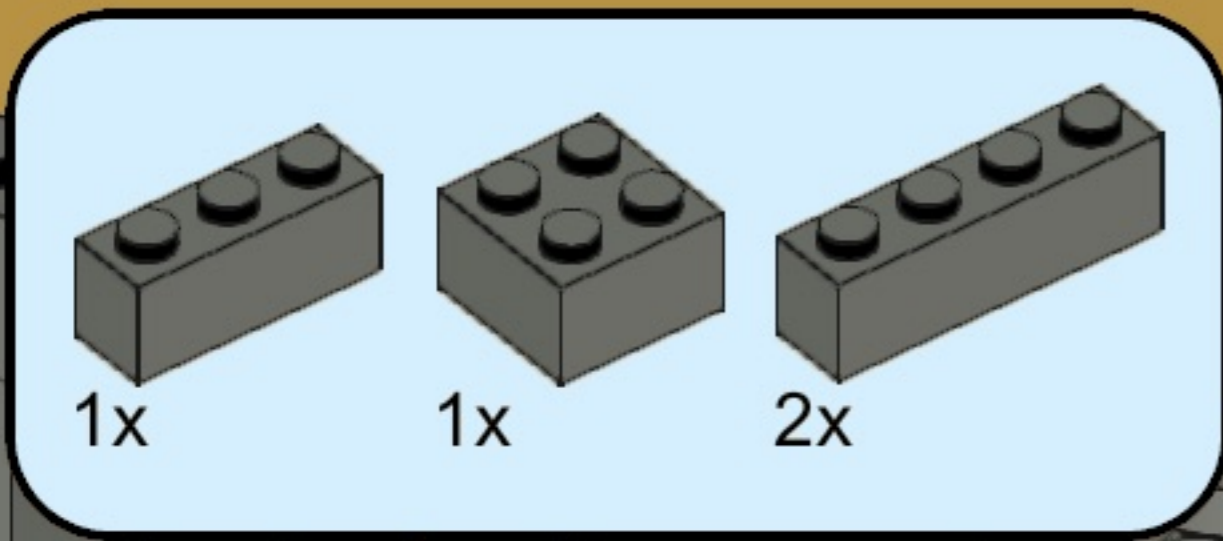


179

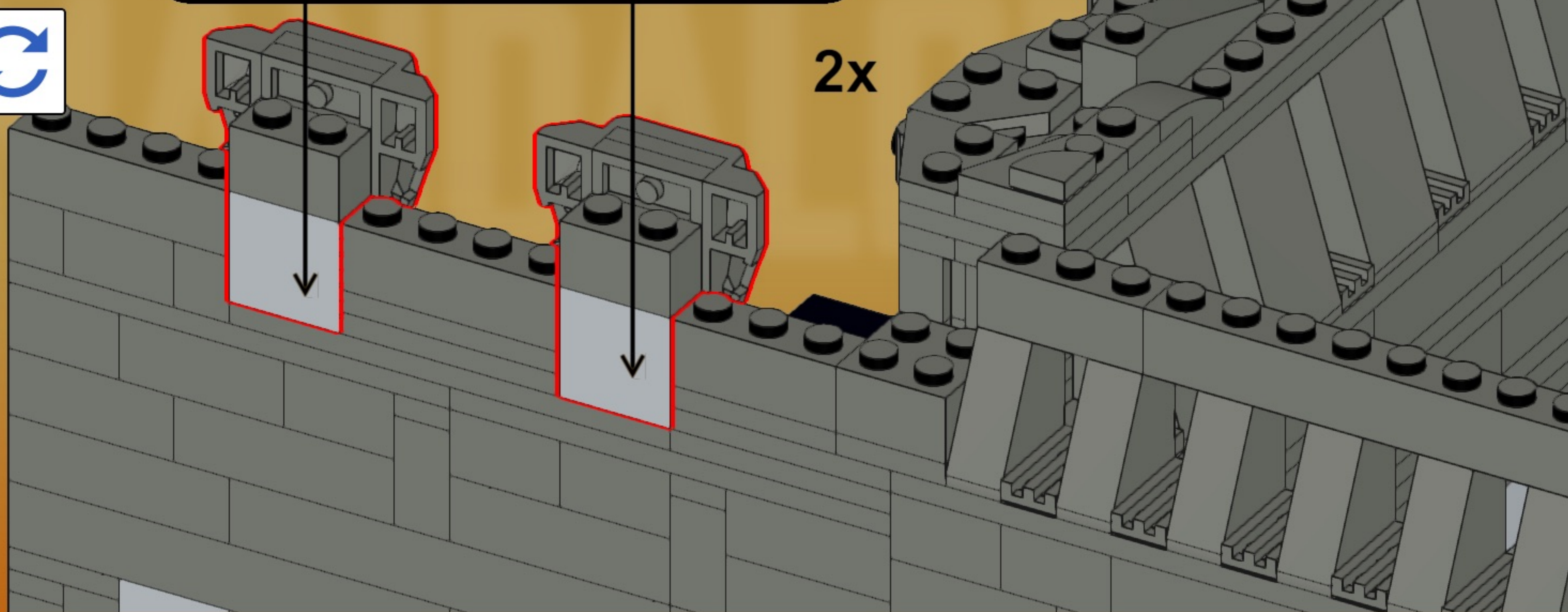
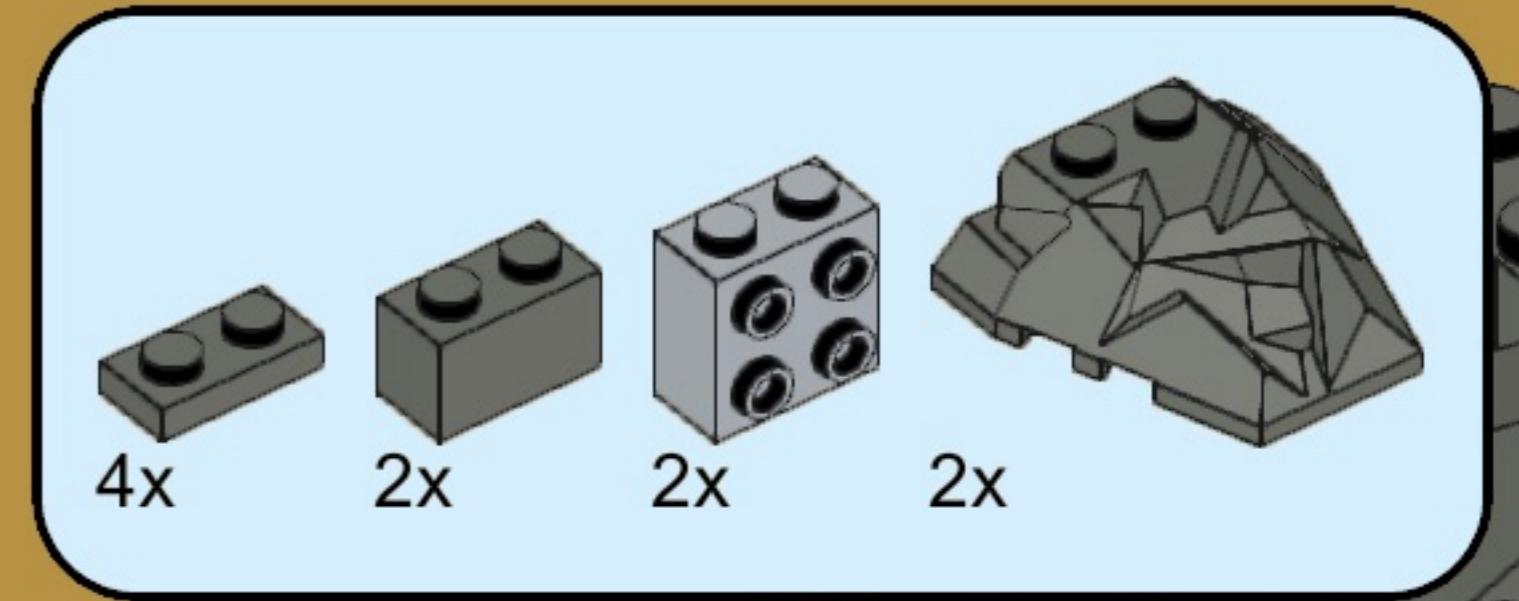
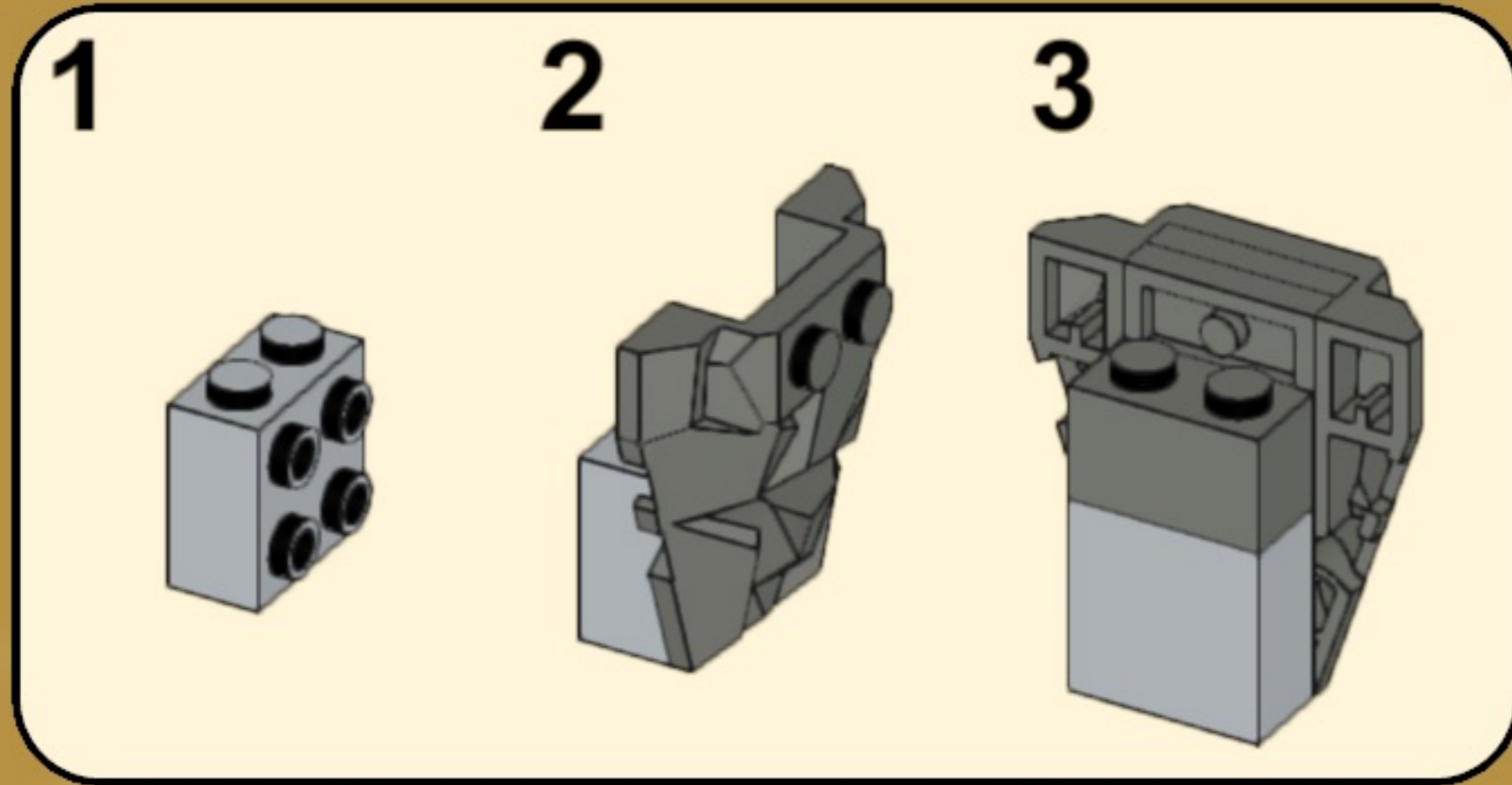


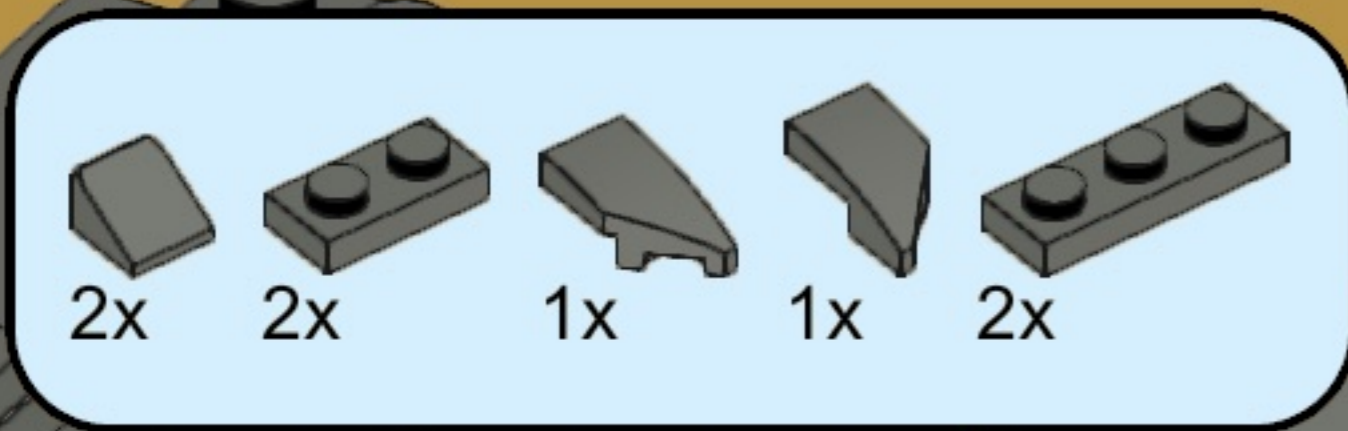
180





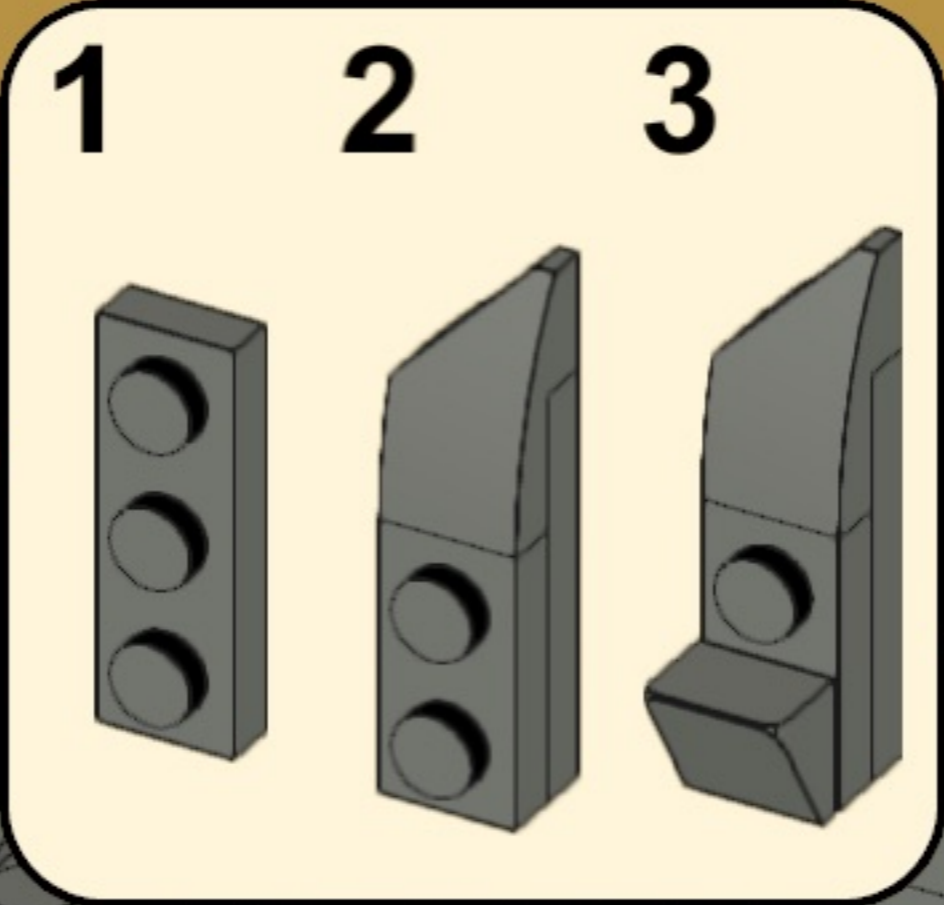
182





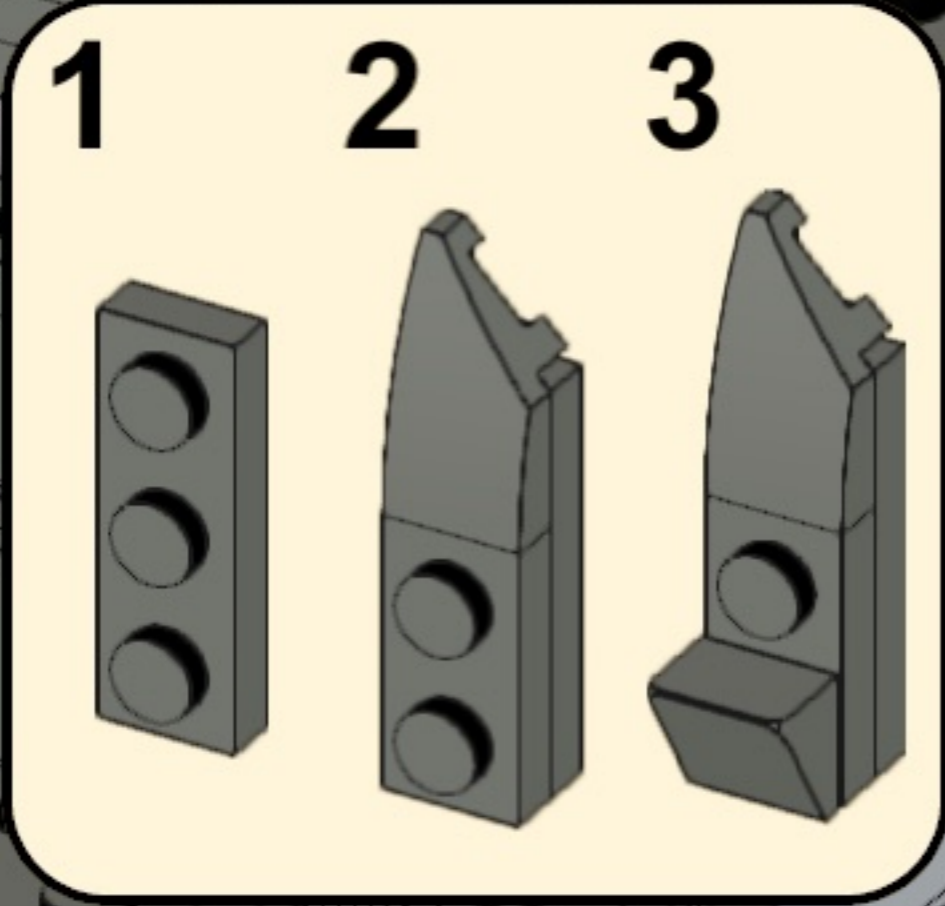
2x 2x 1x 1x 2x

This block lists the required parts for step 183: two 1x1 Technic bricks, two 1x2 Technic bricks, one 1x2 Technic Technic brick, one 1x2 Technic Technic brick, and two 1x3 Technic Technic bricks.



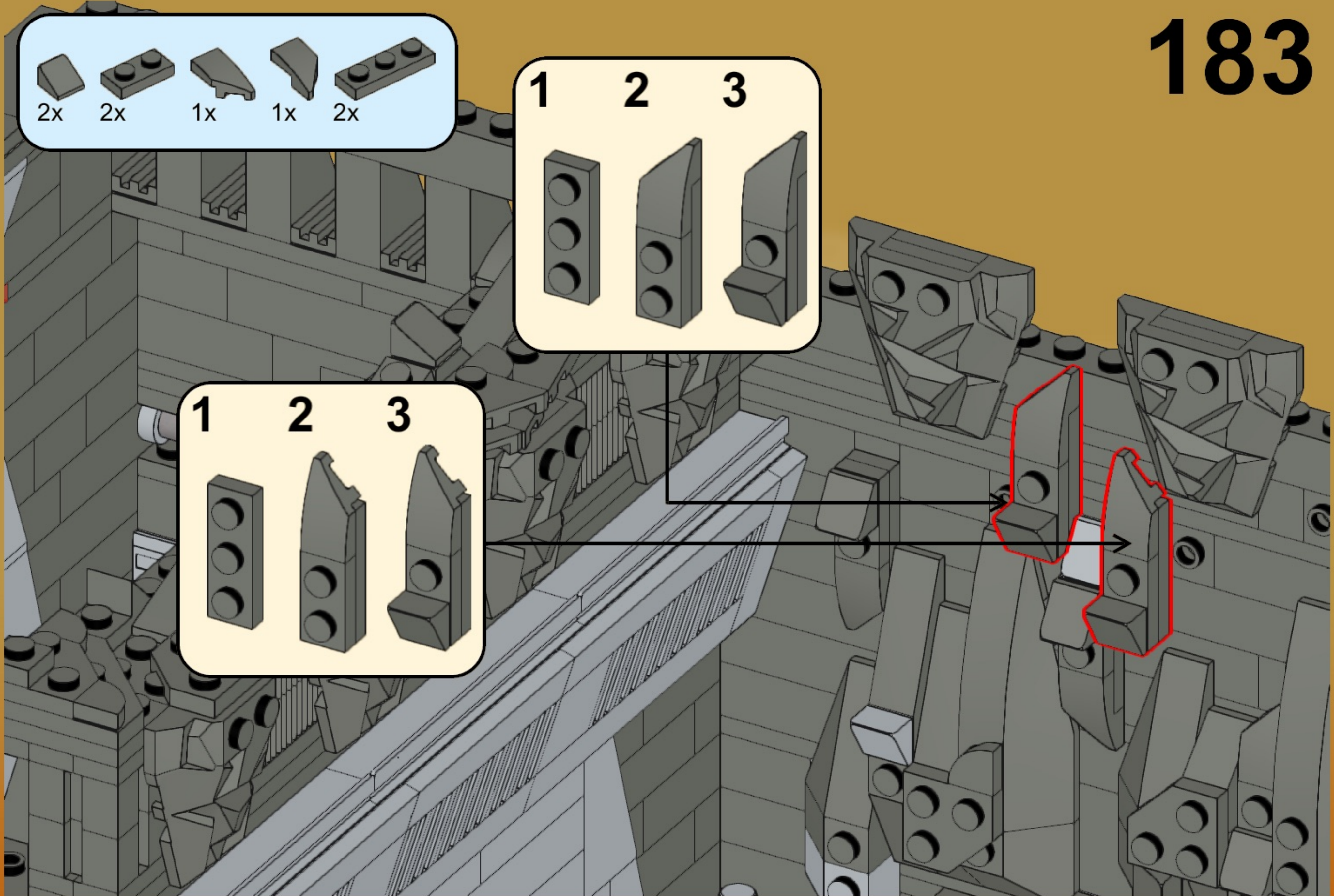
1 2 3

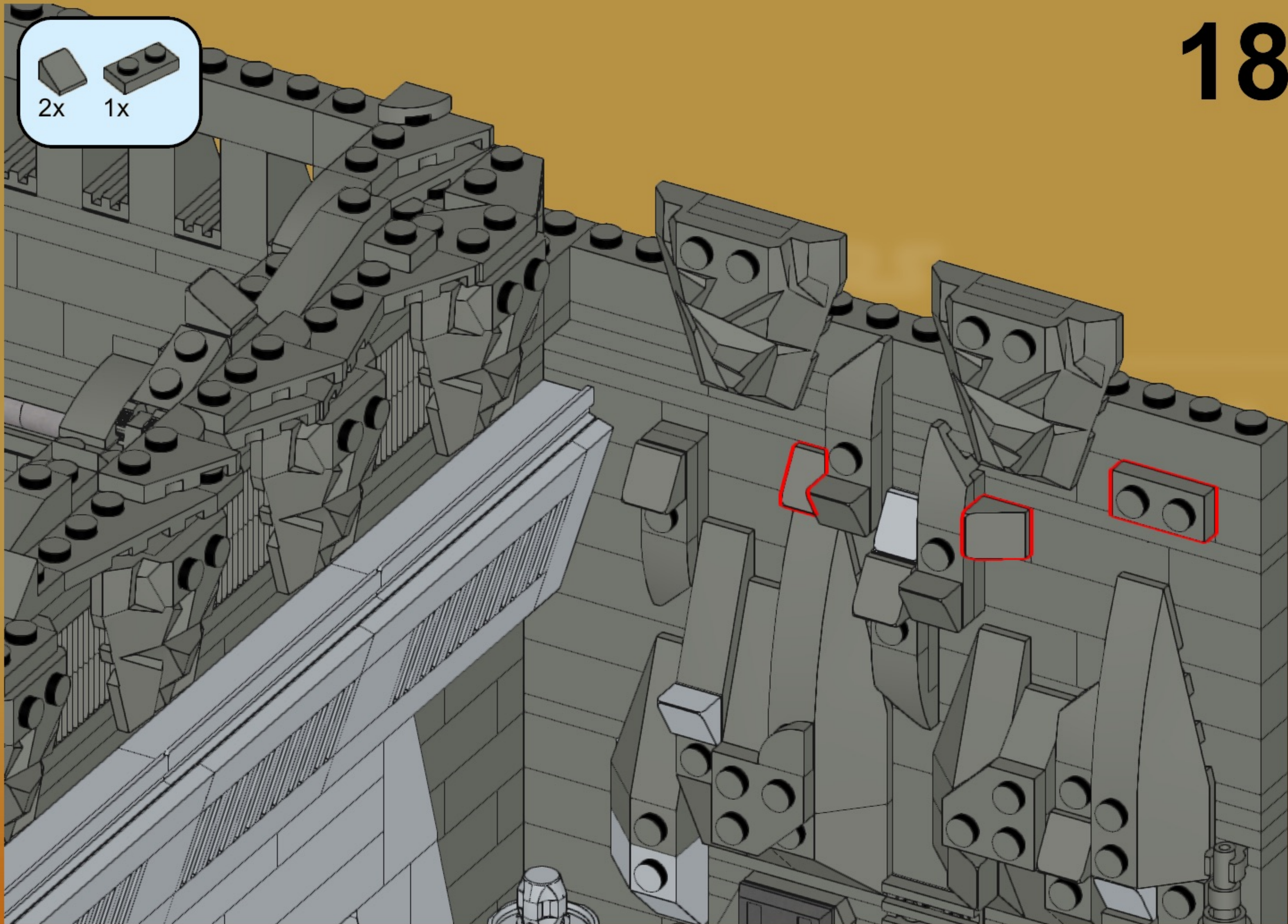
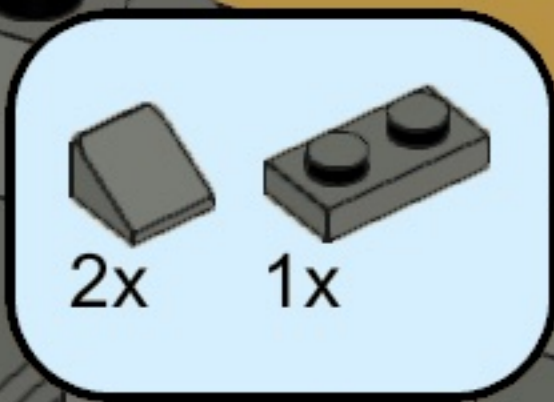
This block shows the first three steps of the assembly sequence. Step 1 shows a 1x3 Technic Technic brick. Step 2 shows a 1x2 Technic Technic brick being placed on top of the brick from step 1. Step 3 shows a 1x2 Technic Technic brick being placed on top of the brick from step 2.



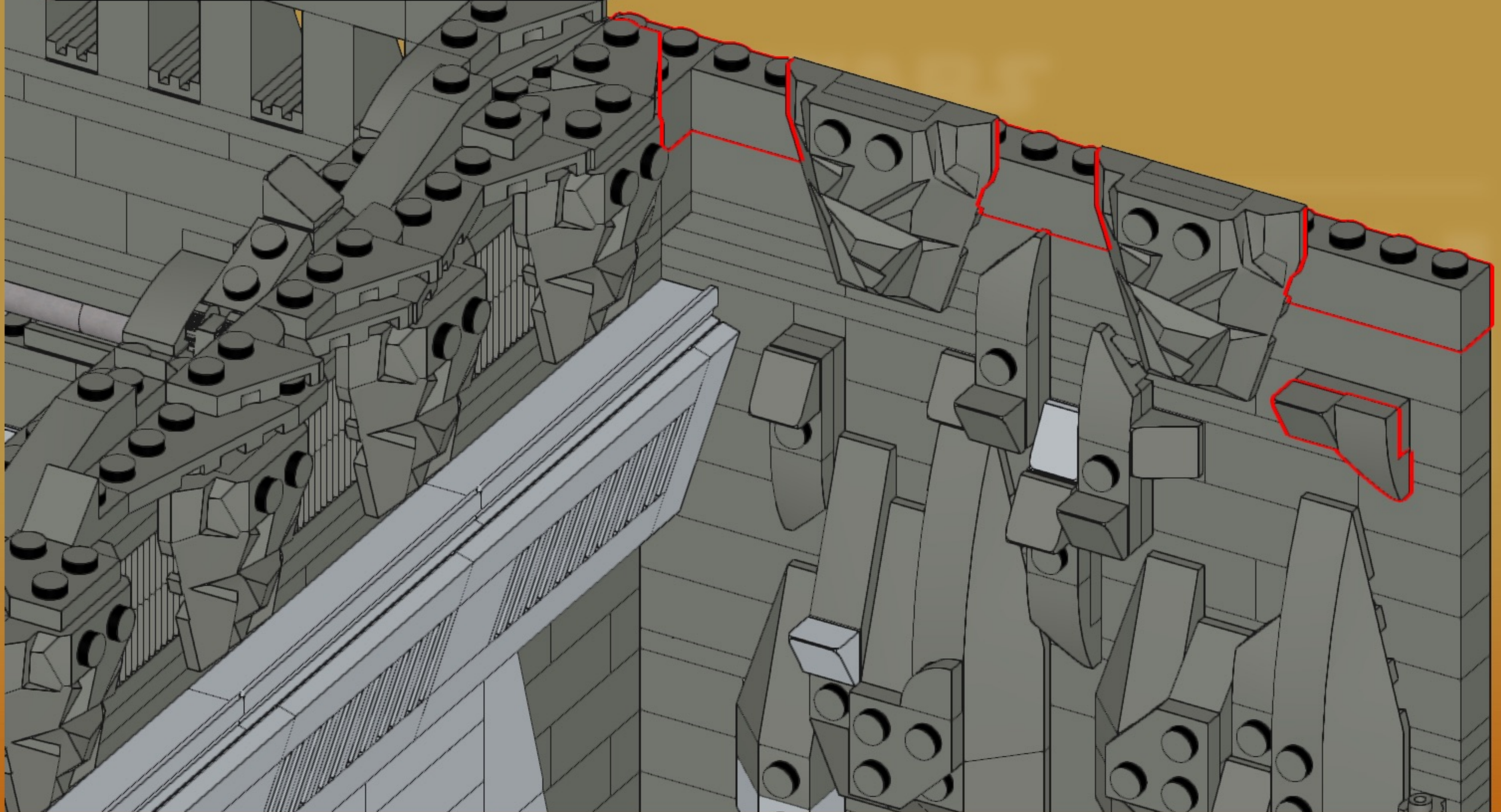
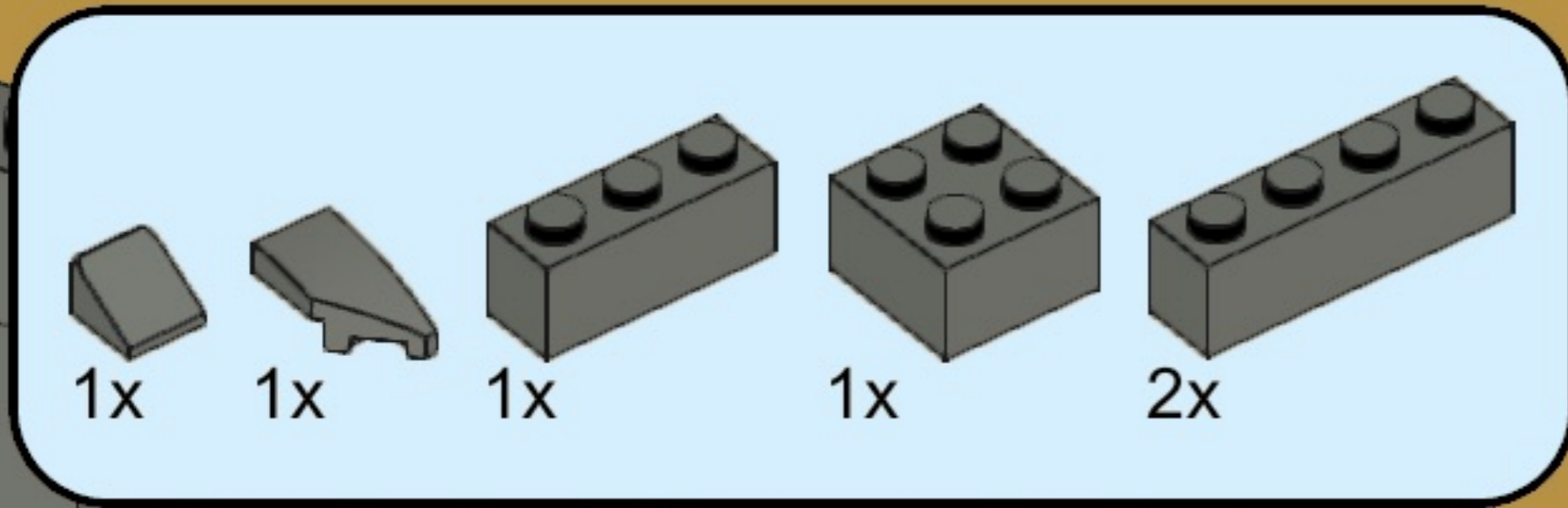
1 2 3

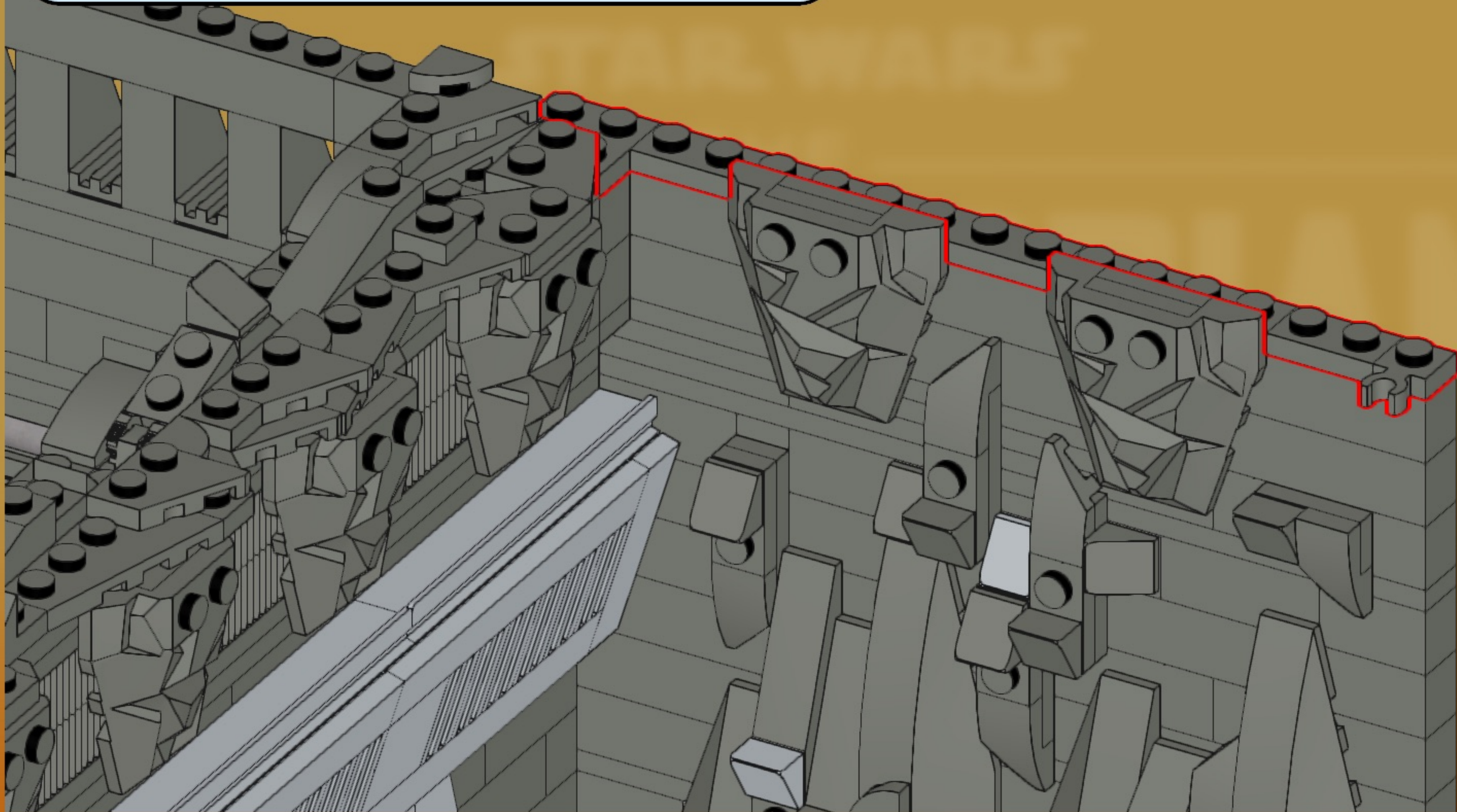
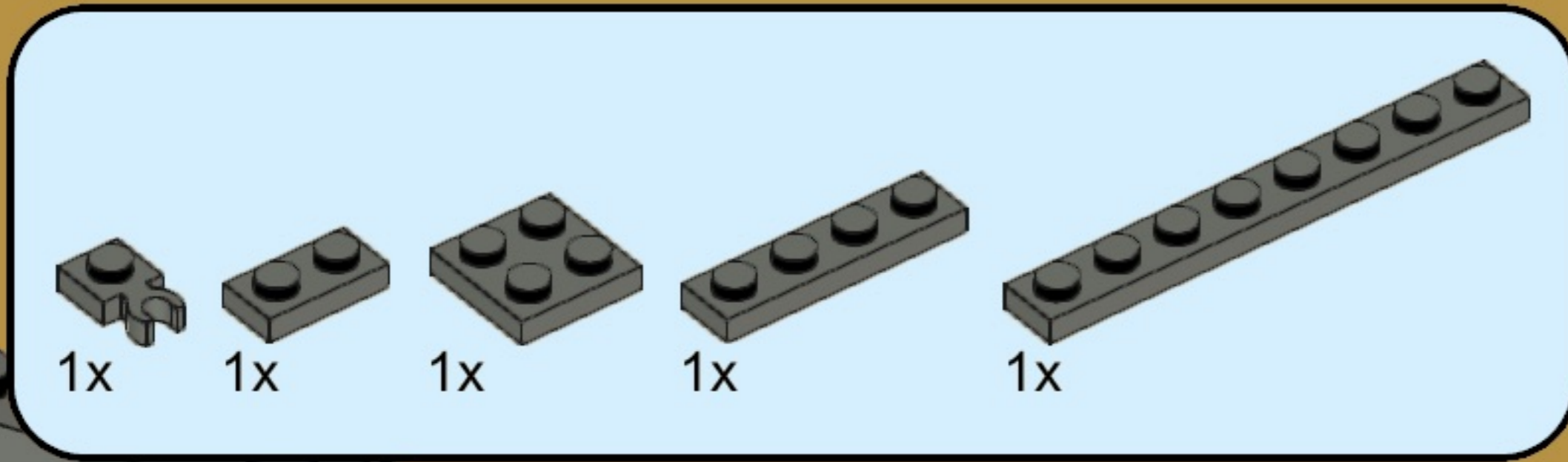
This block shows the next three steps of the assembly sequence. Step 1 shows a 1x3 Technic Technic brick. Step 2 shows a 1x2 Technic Technic brick being placed on top of the brick from step 1. Step 3 shows a 1x2 Technic Technic brick being placed on top of the brick from step 2.

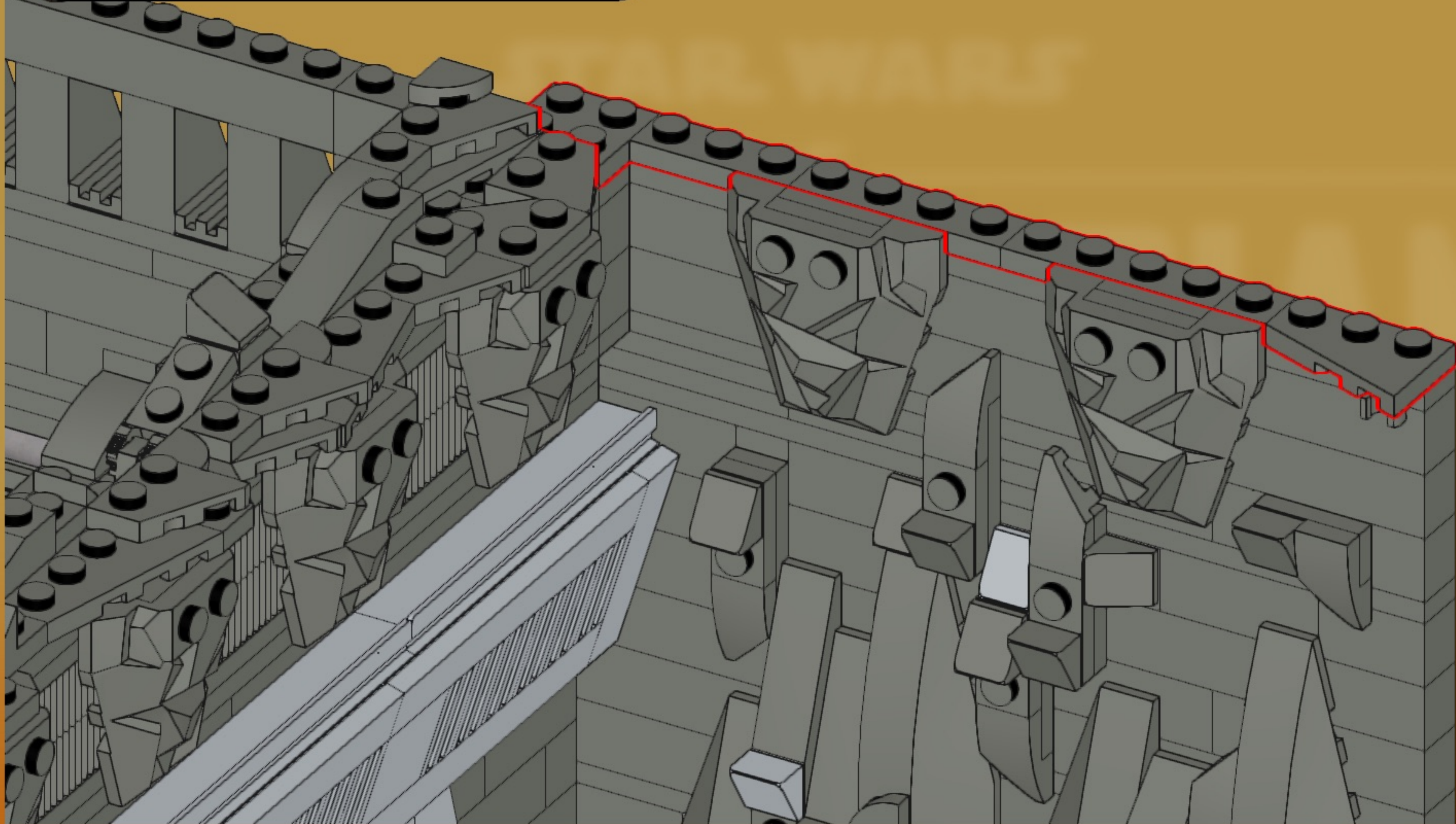
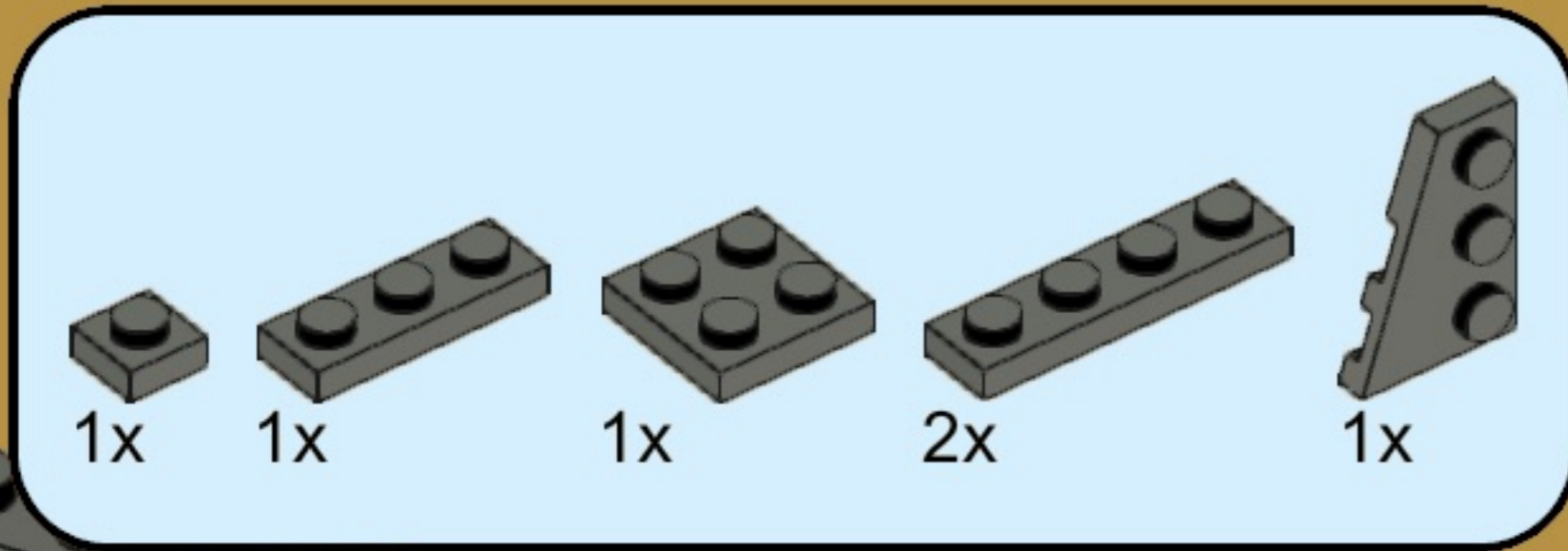


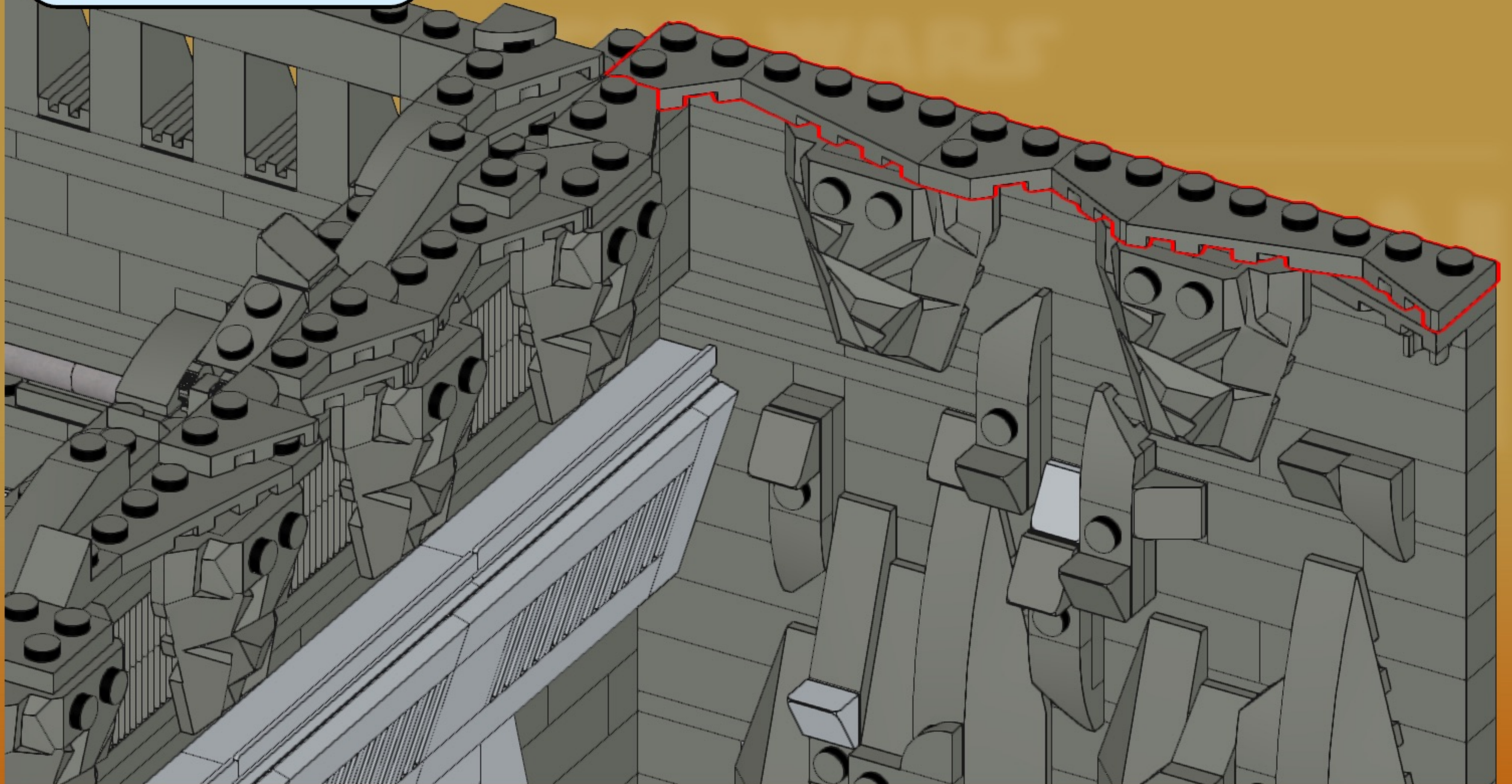
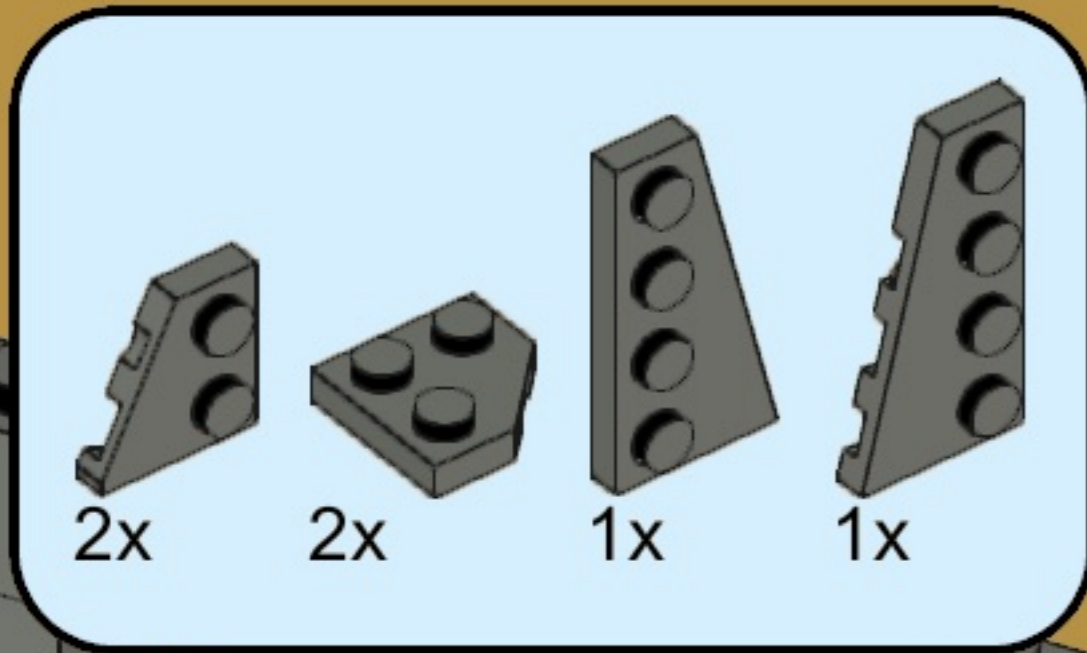


185

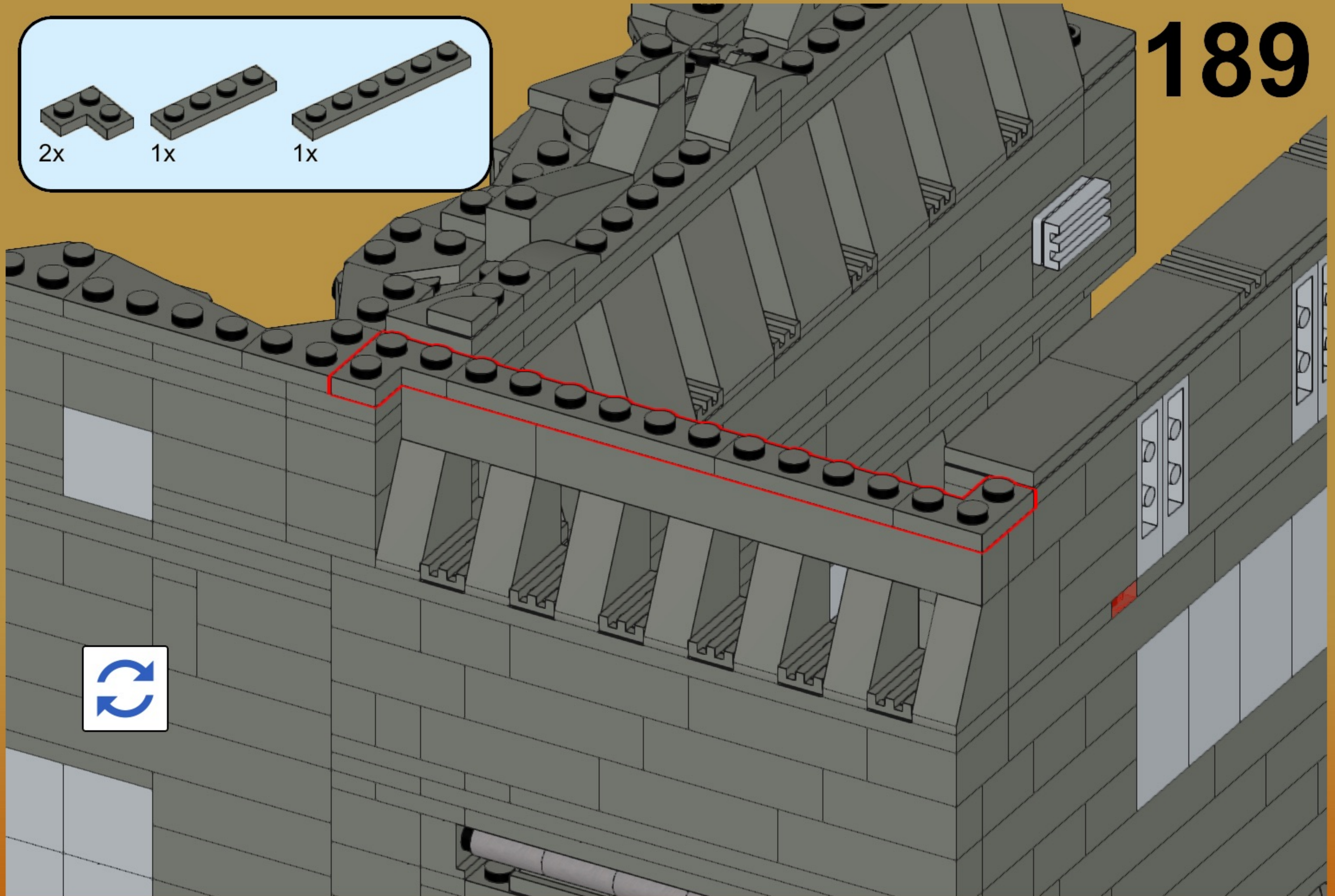
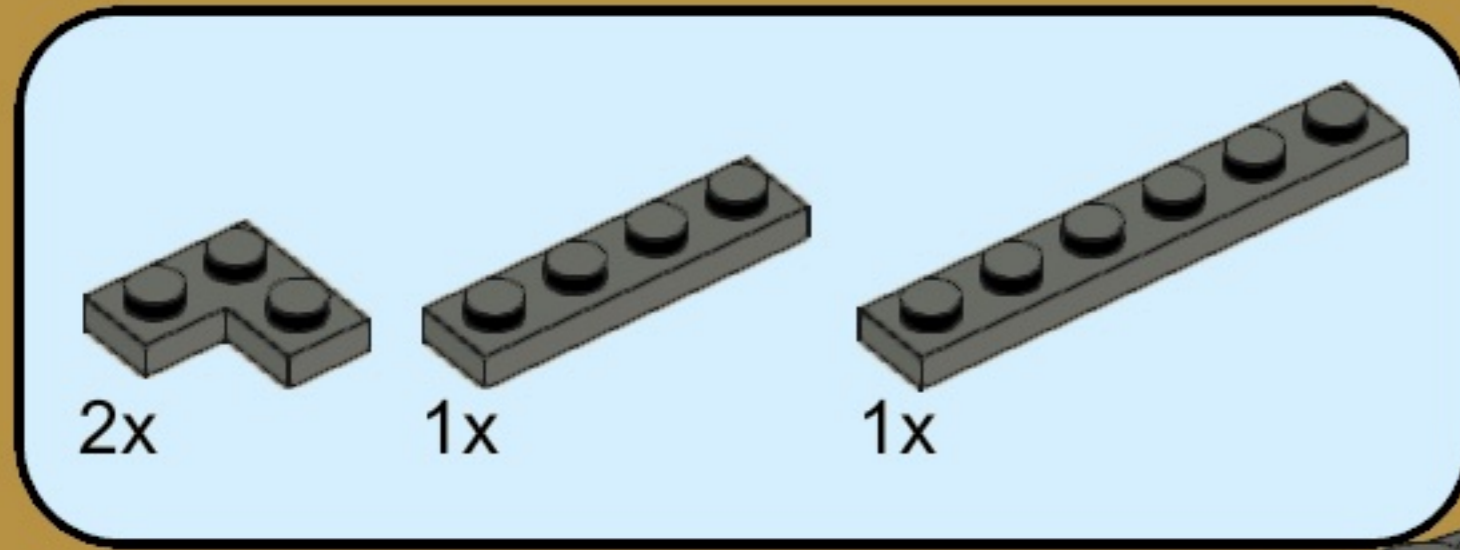




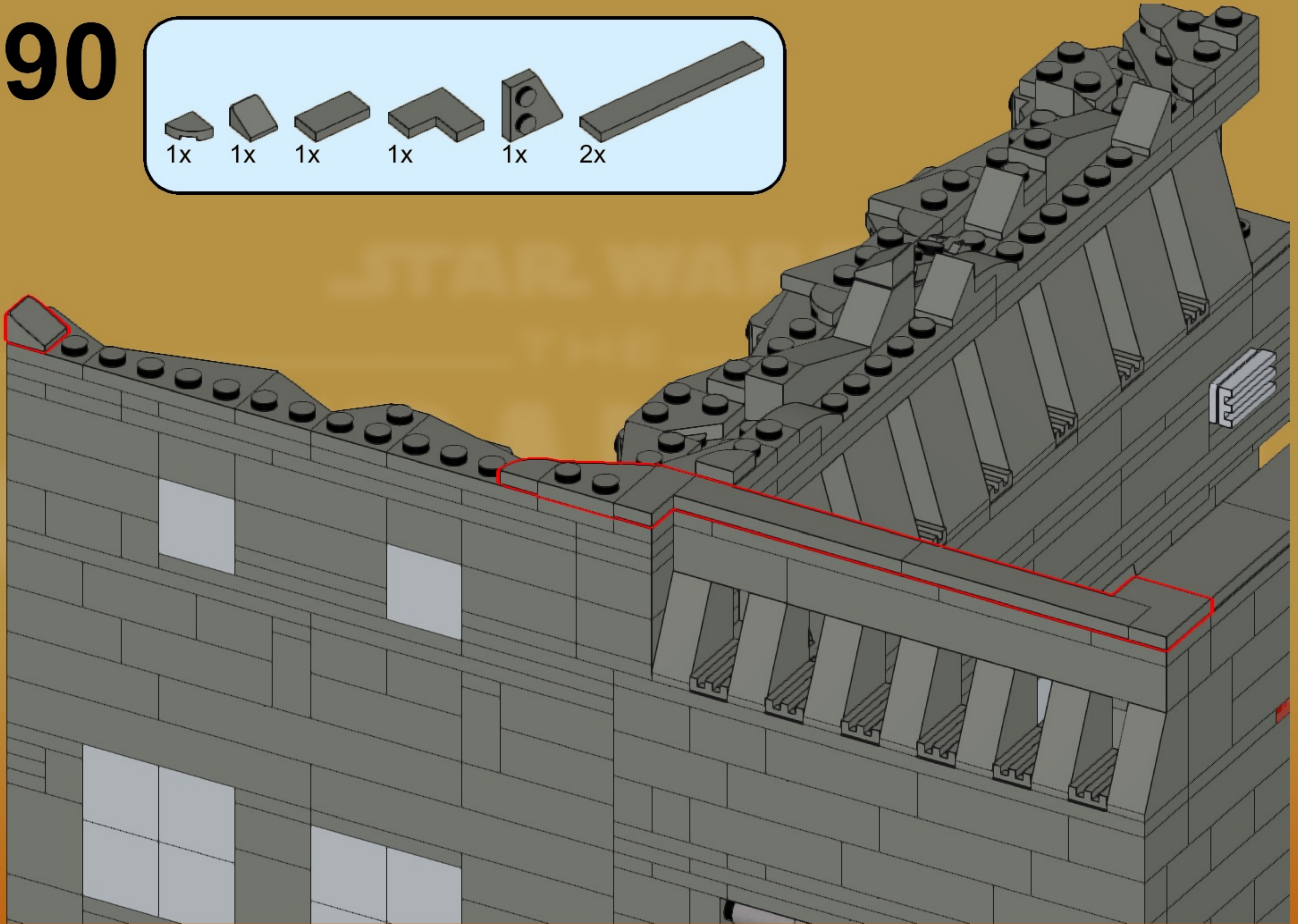
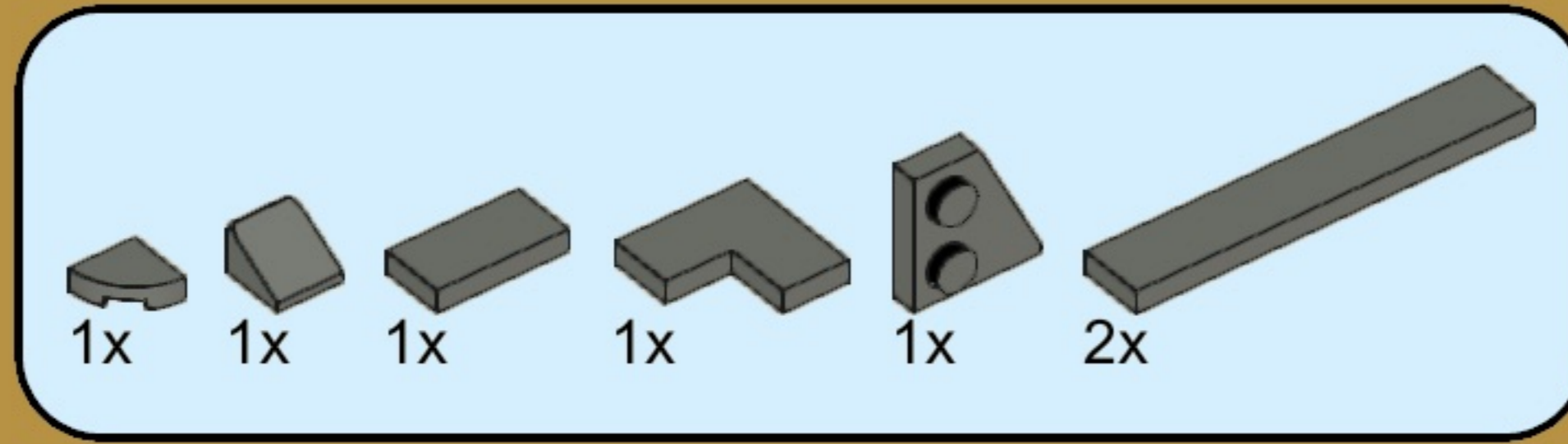


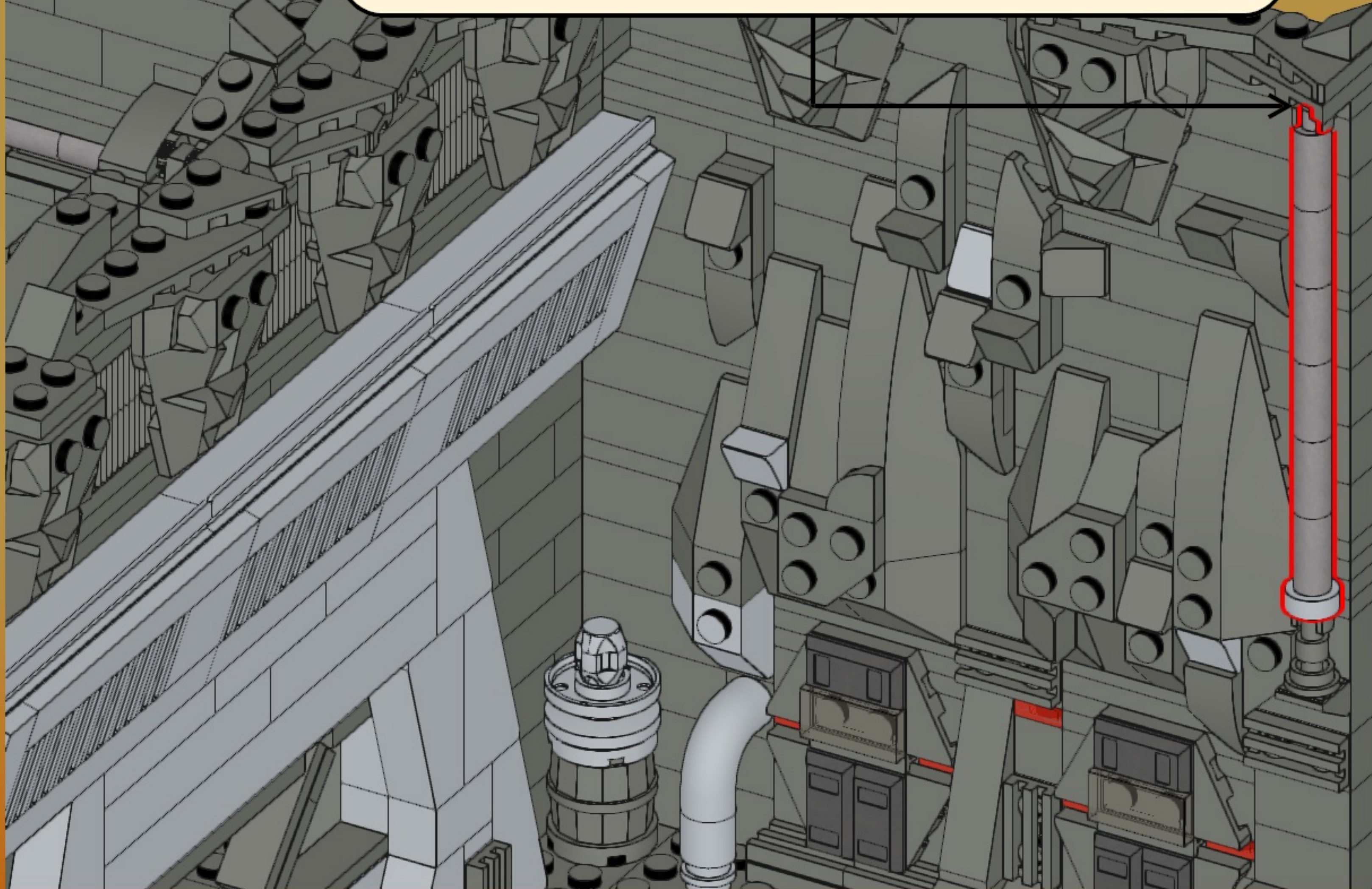
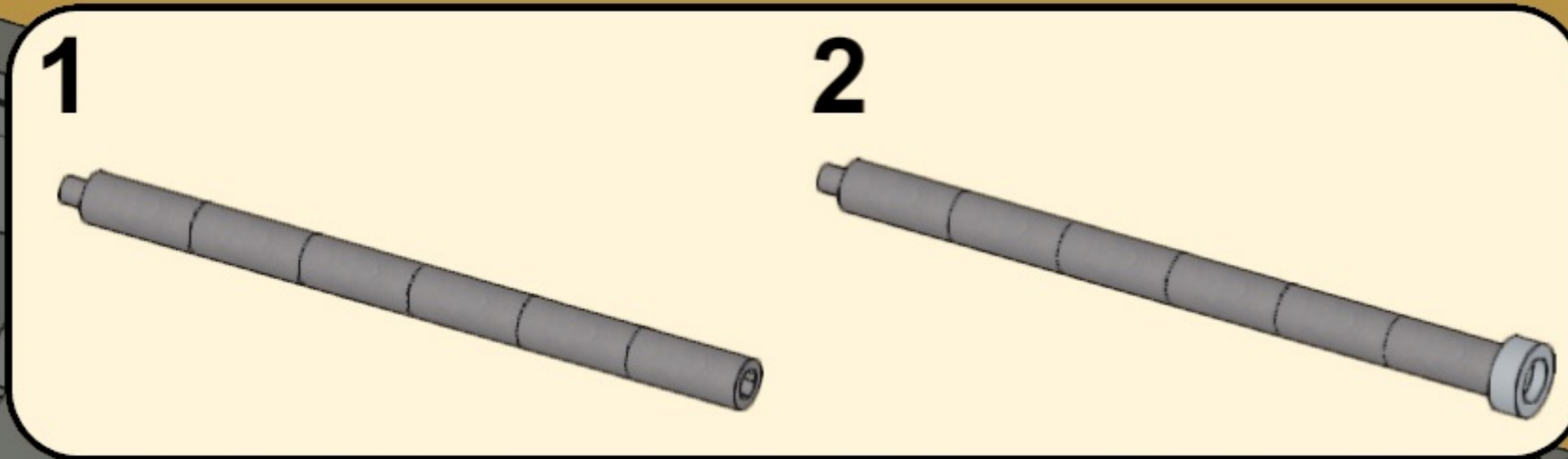
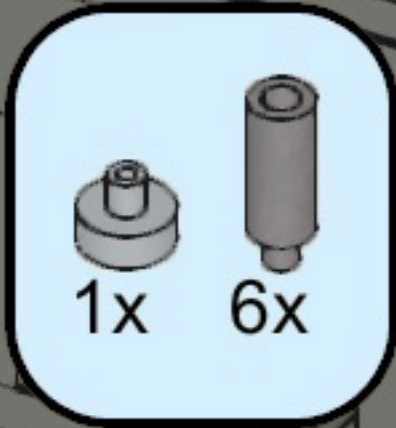


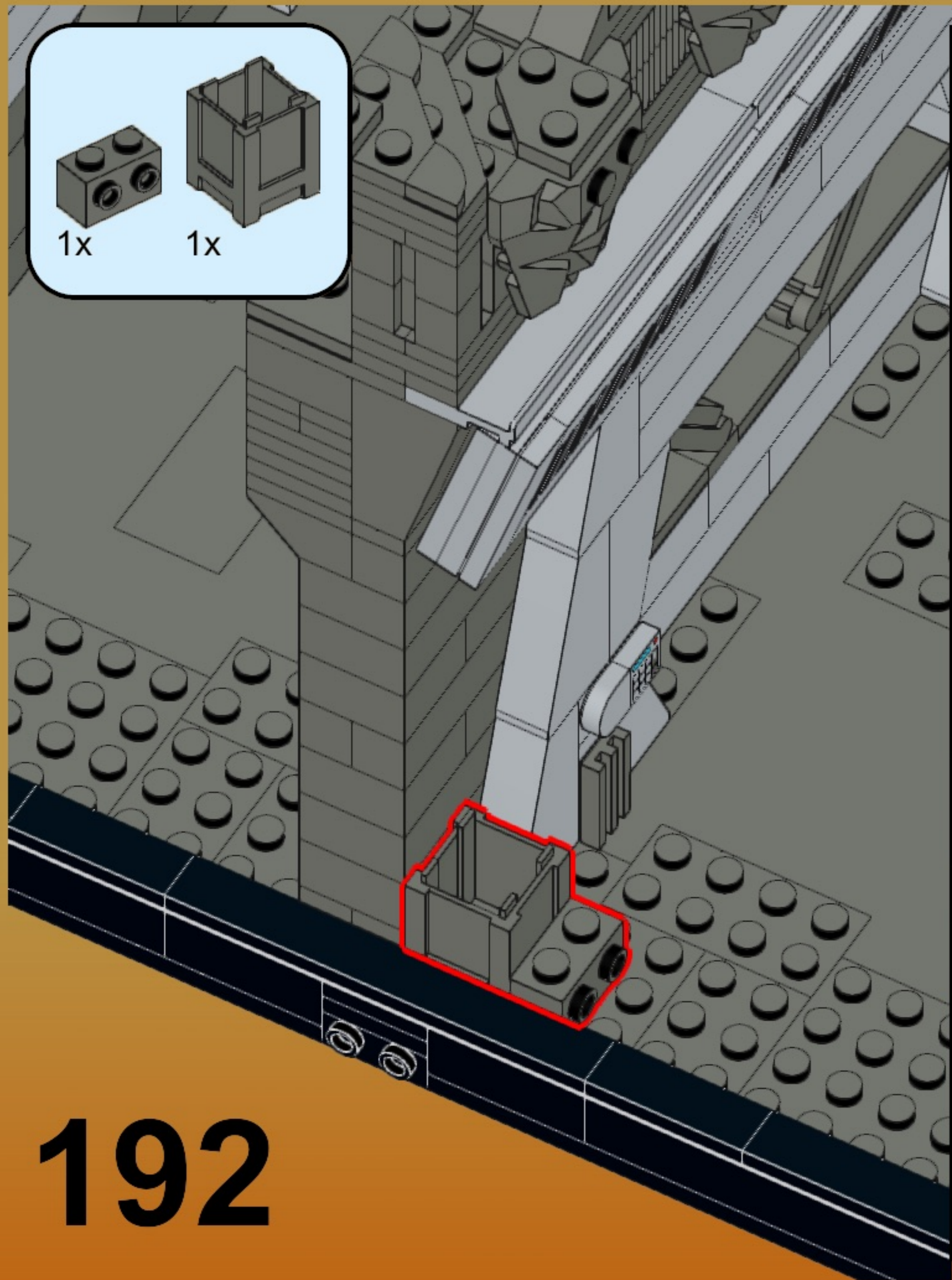
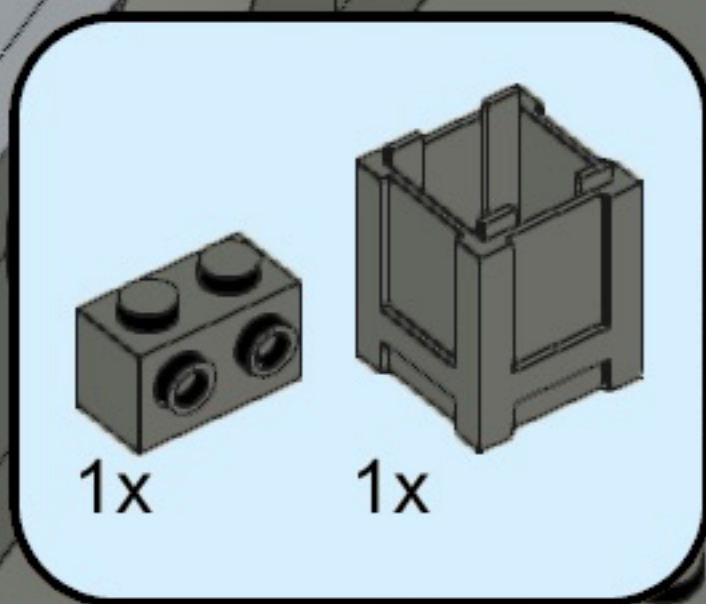
189



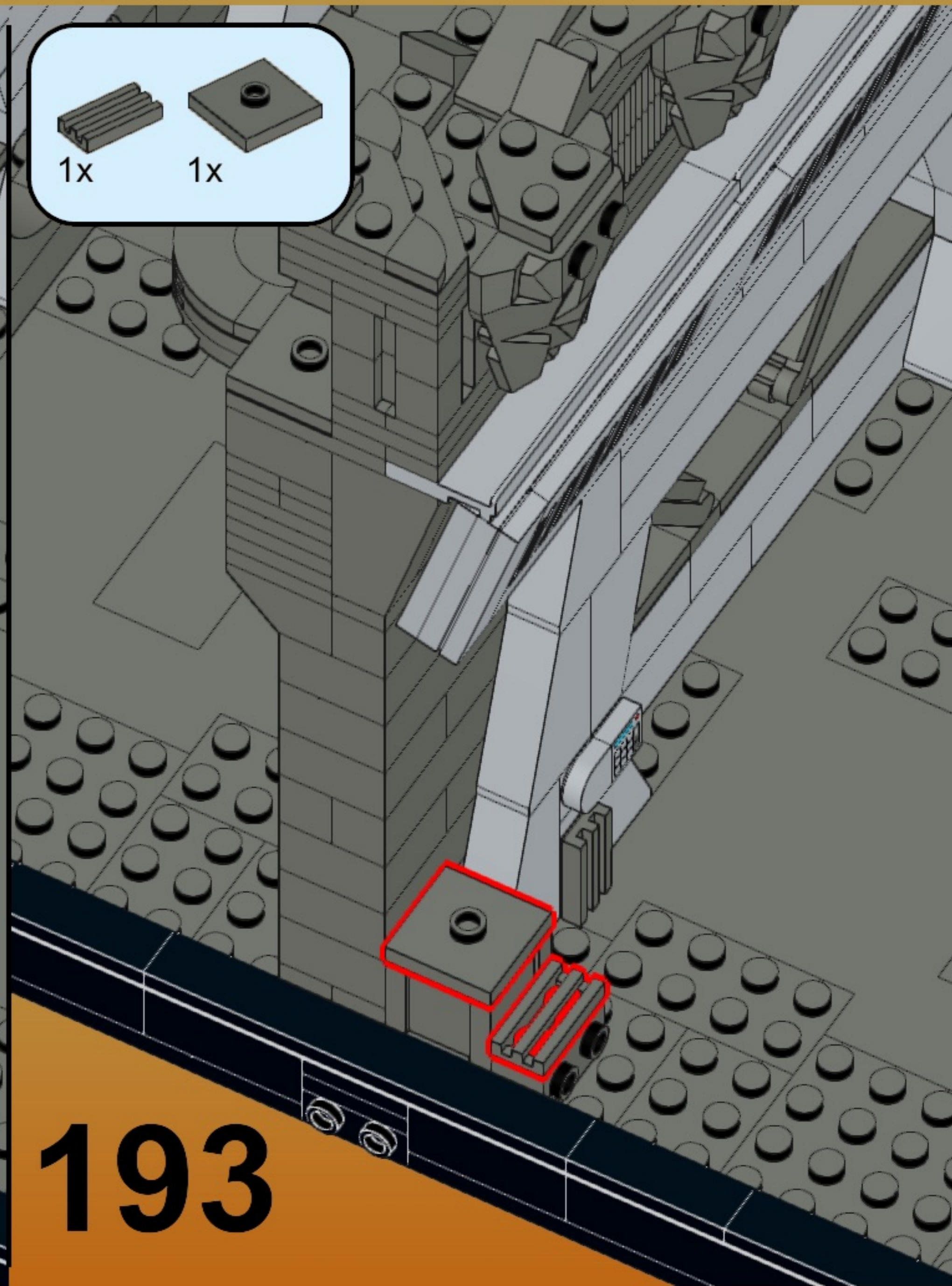
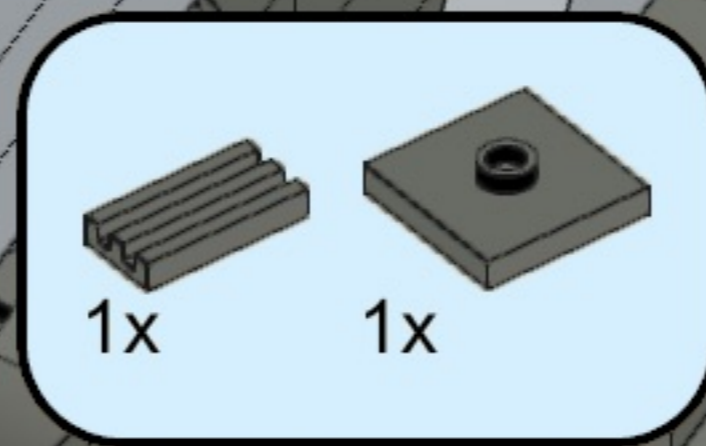
190



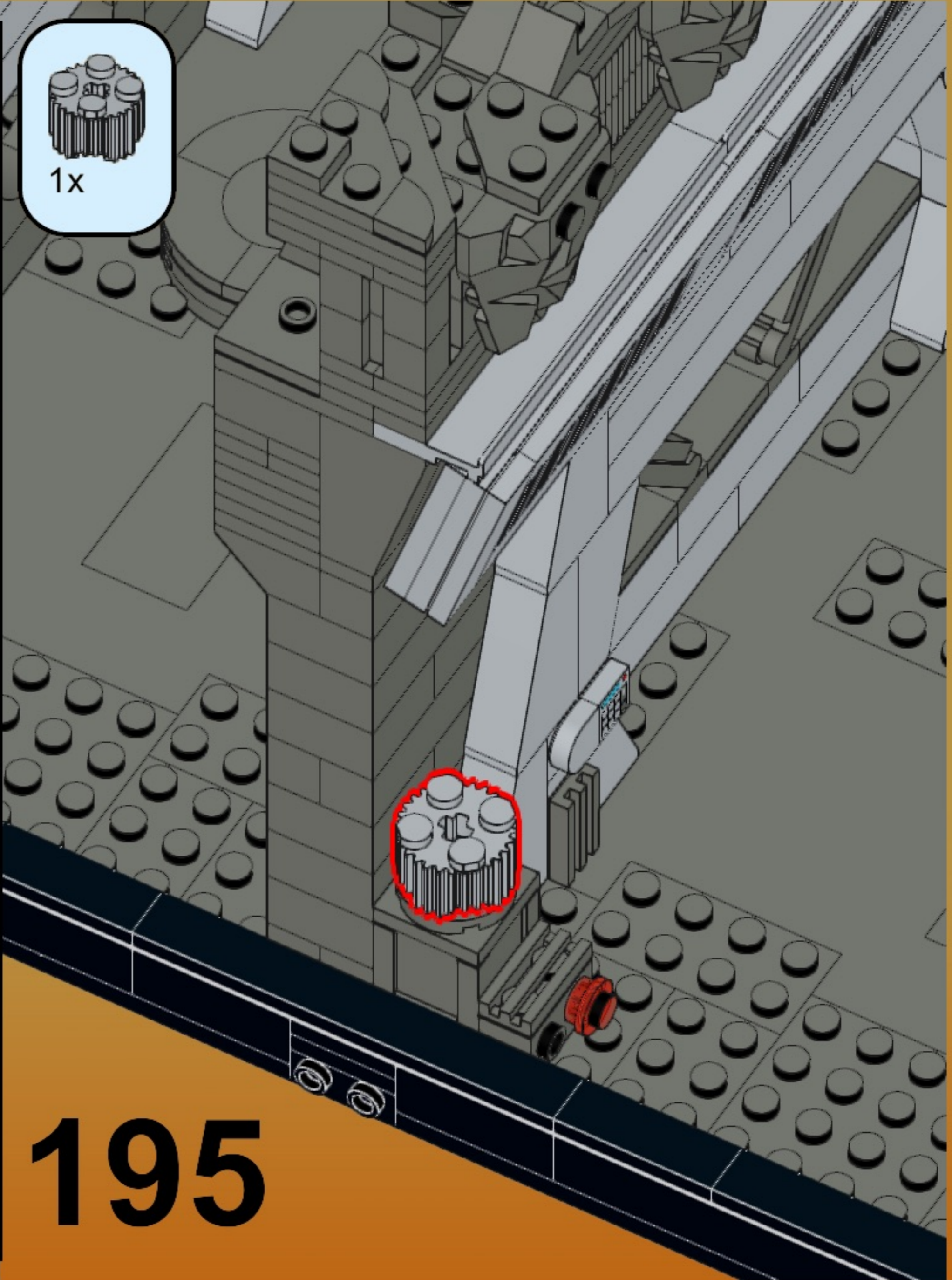
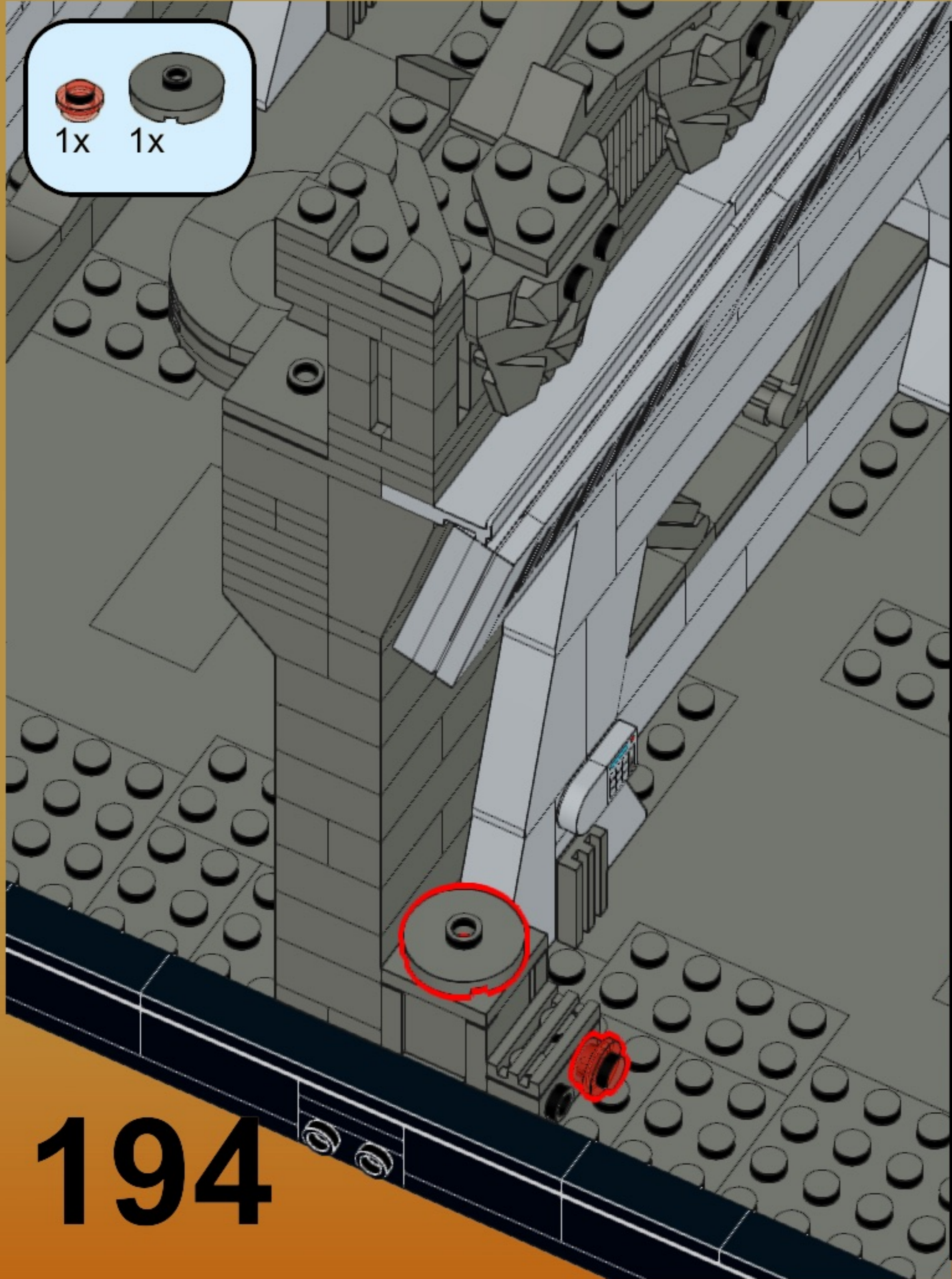




192

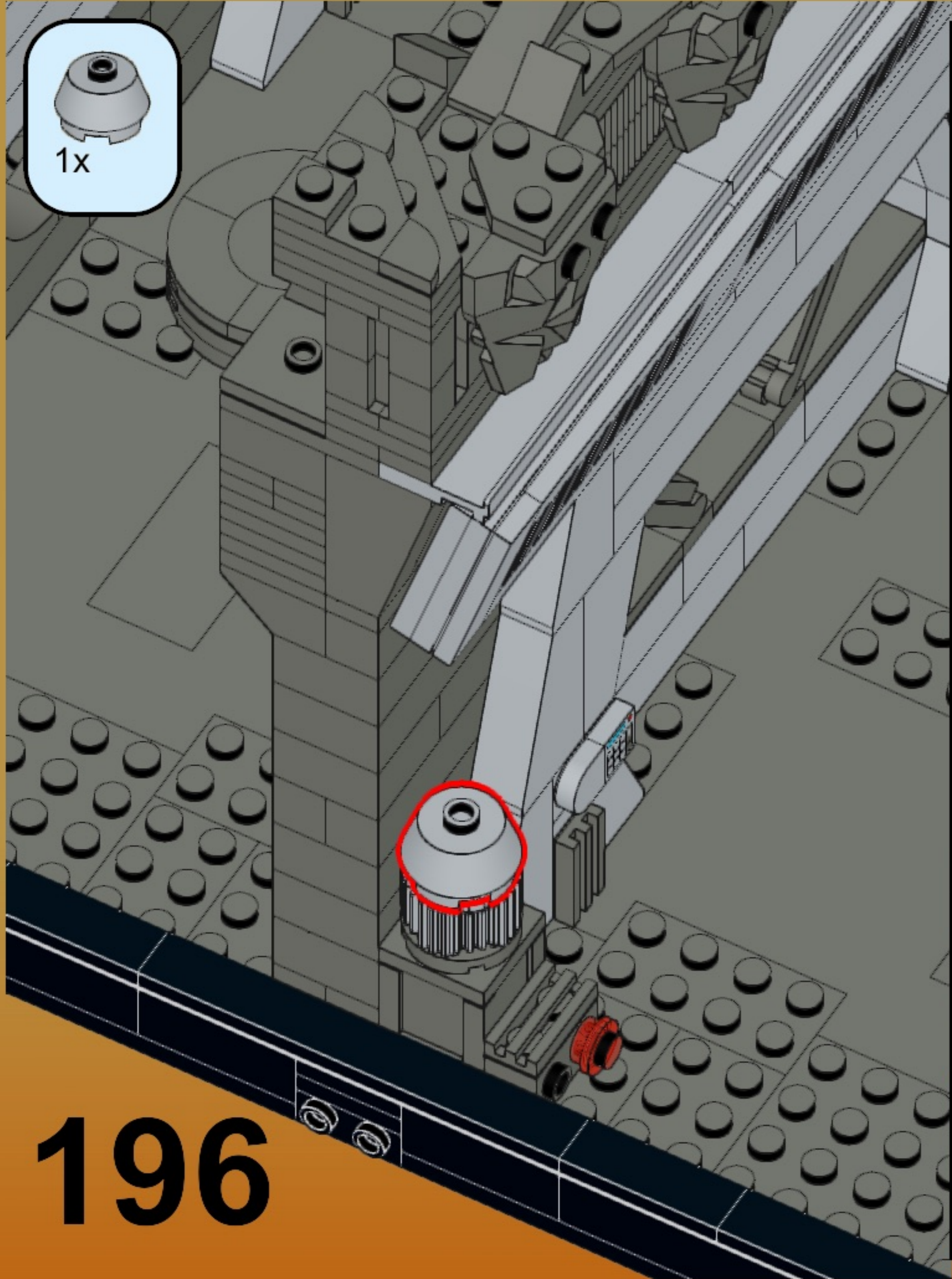


193

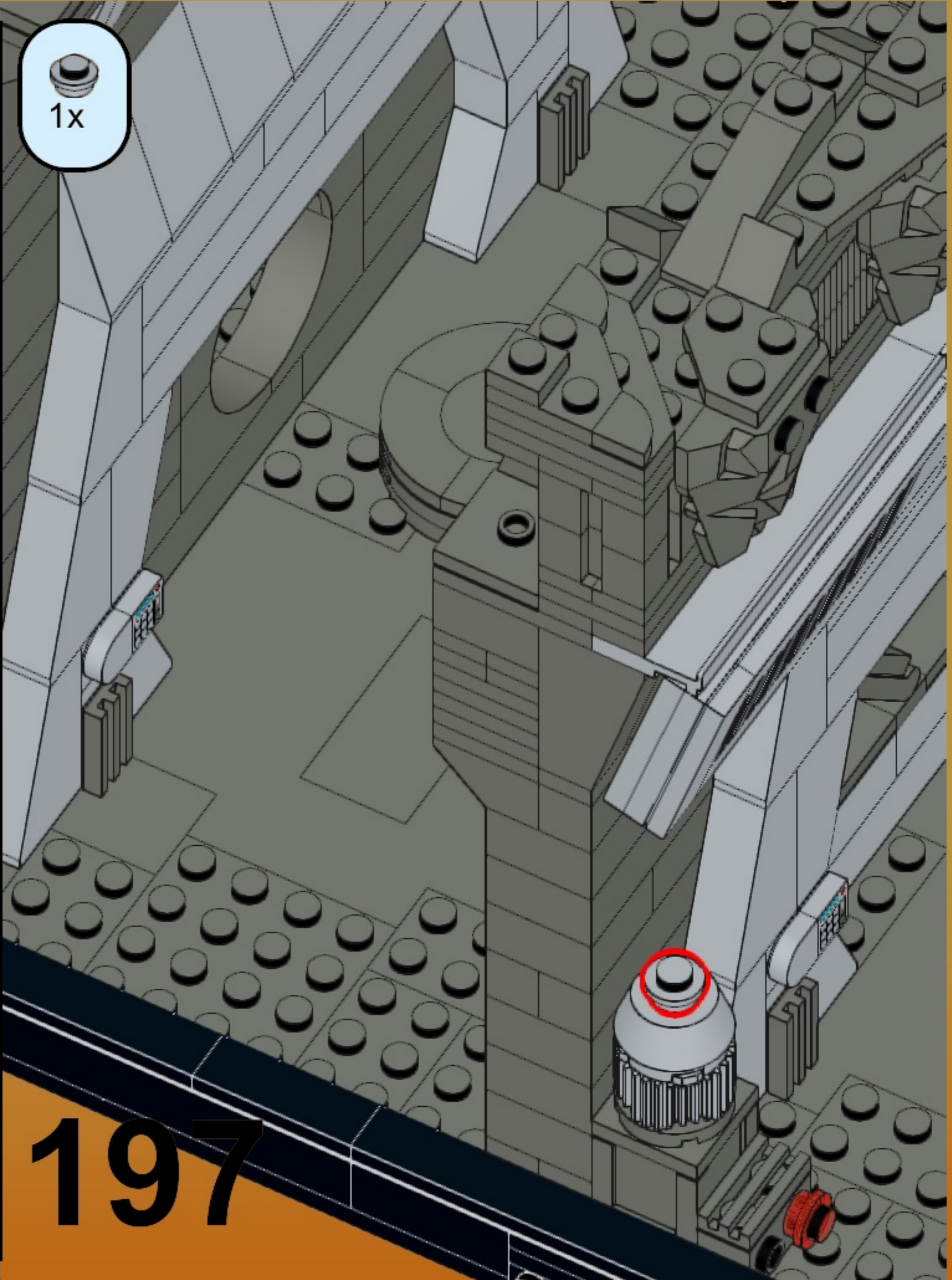


194

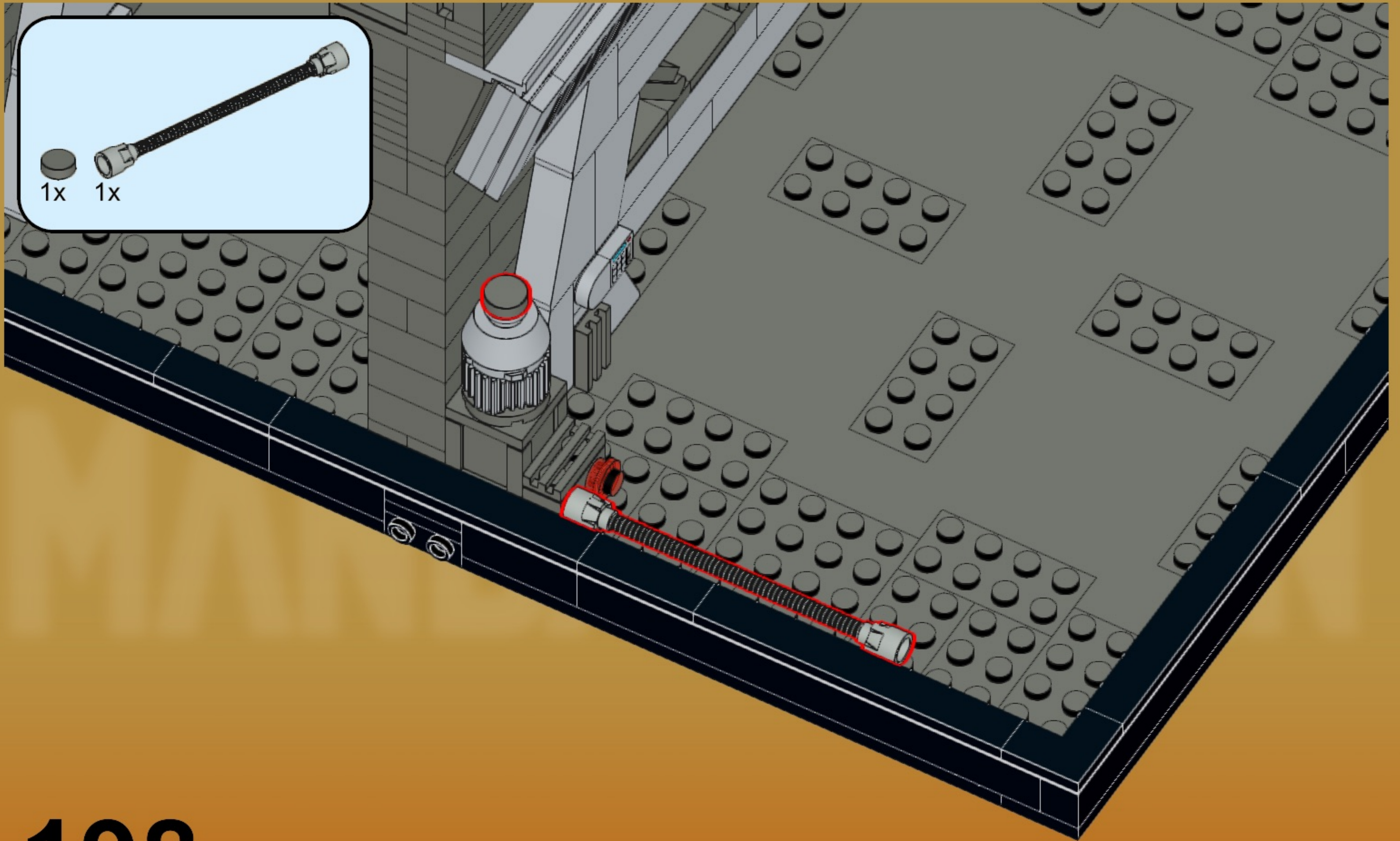
195



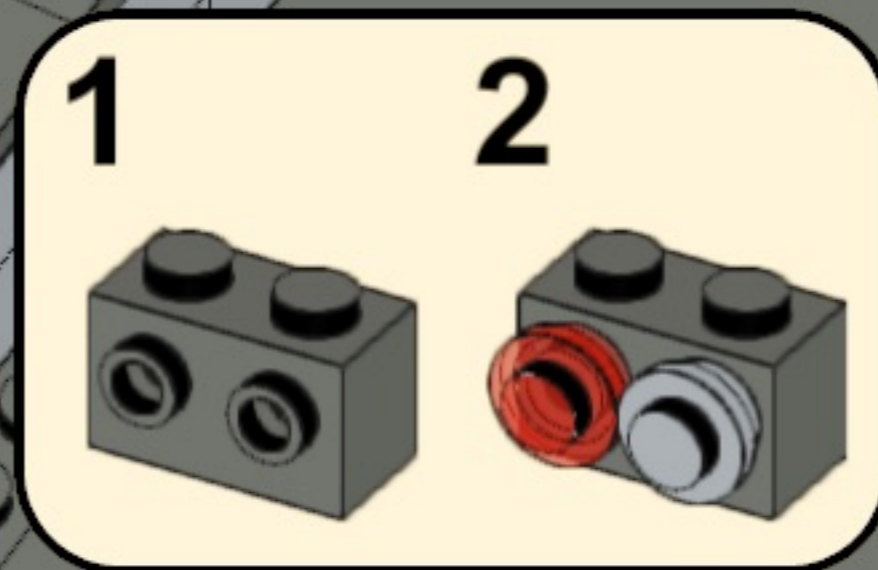
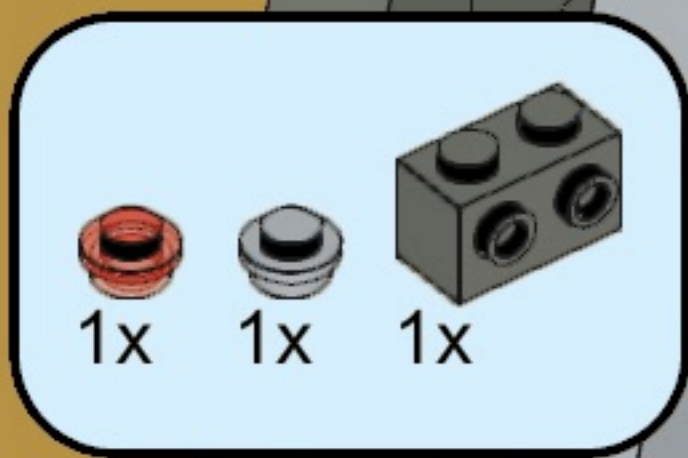
196



197

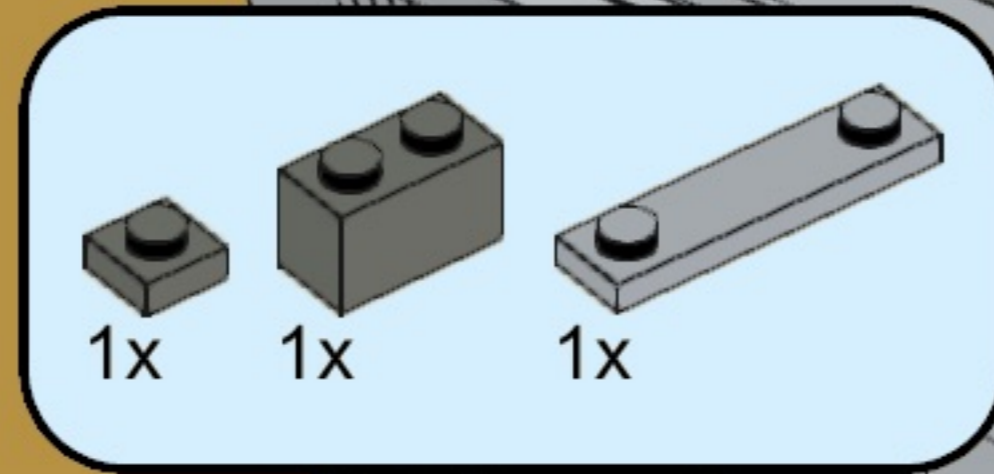


198

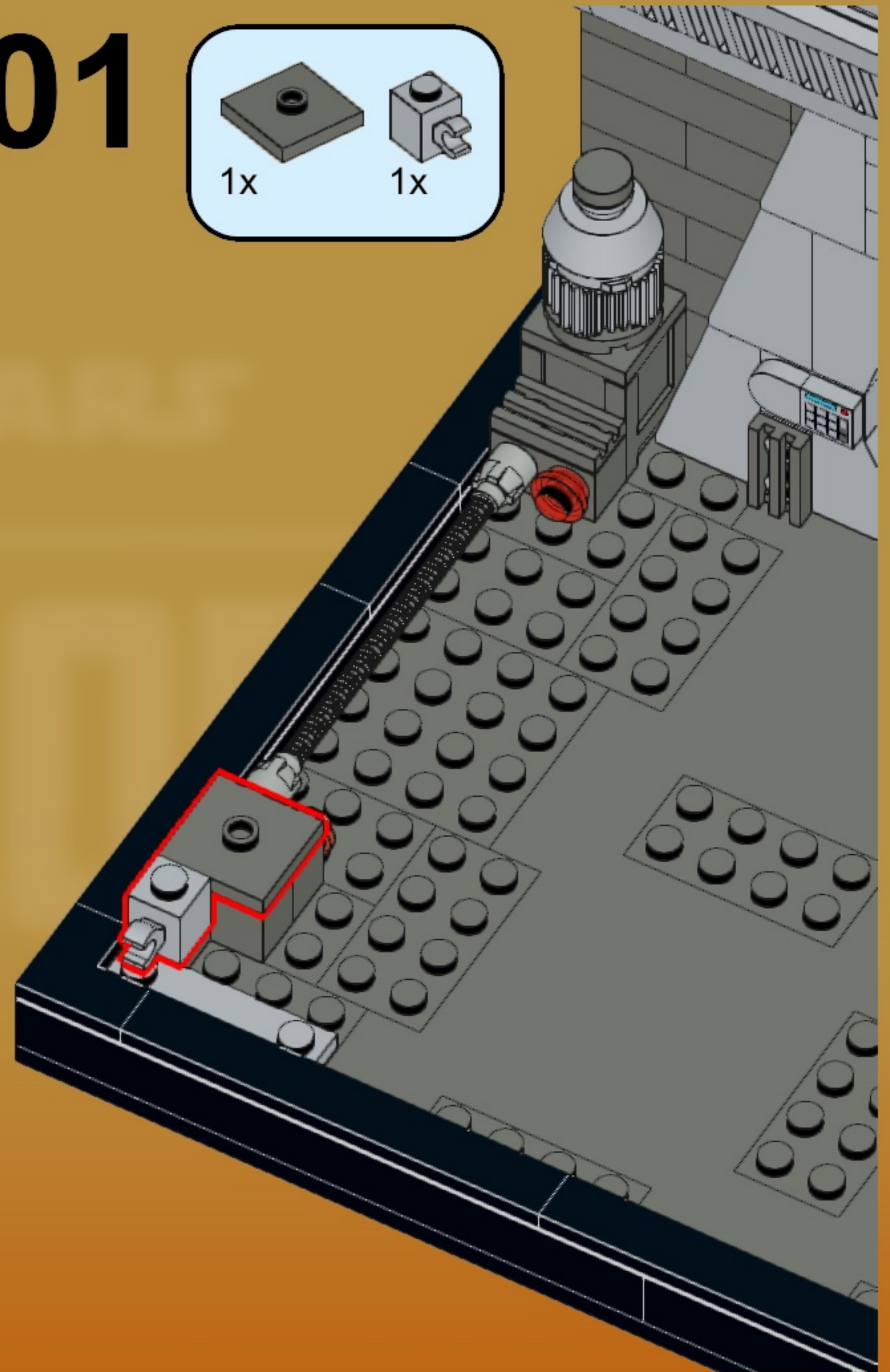
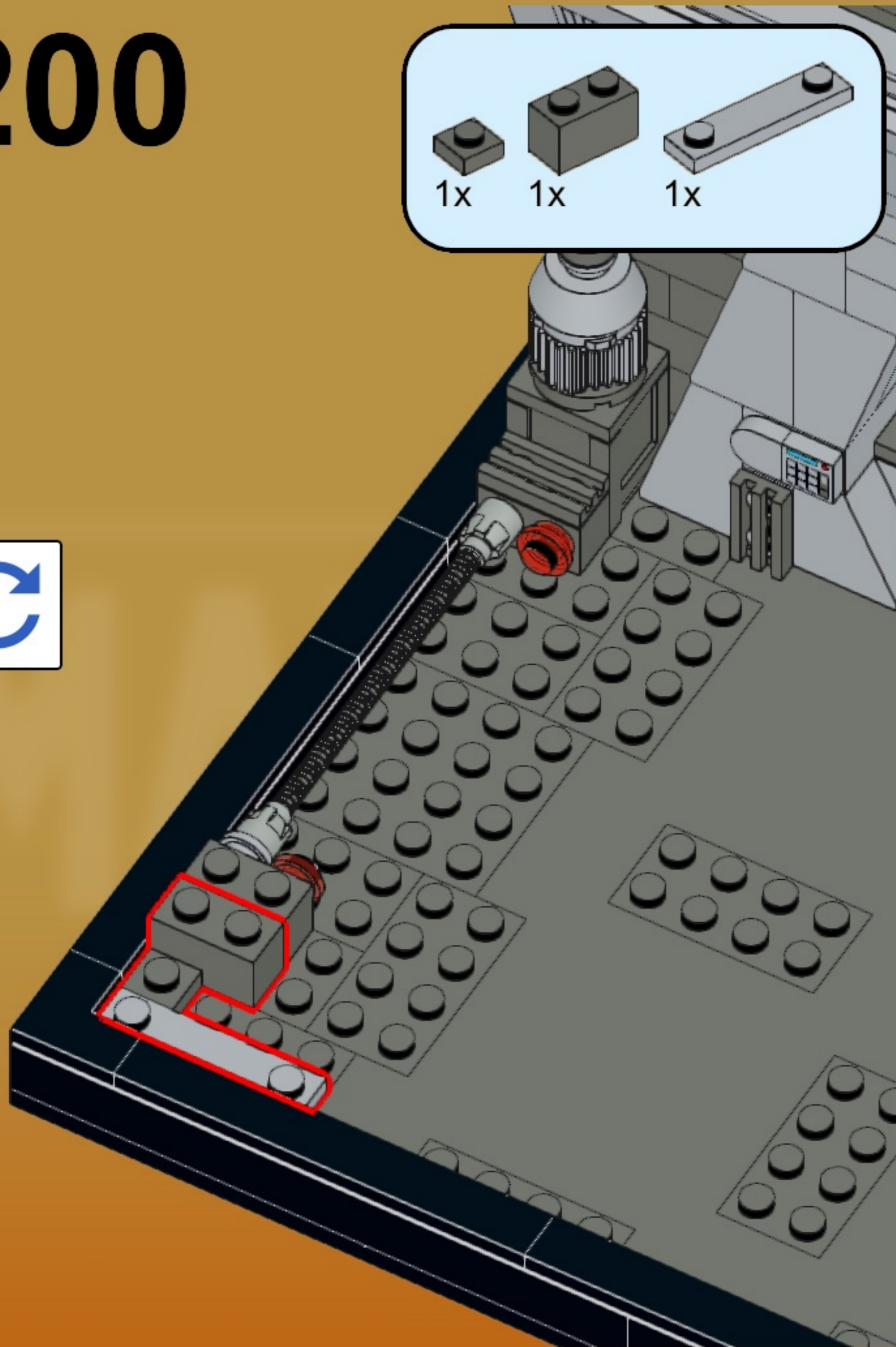
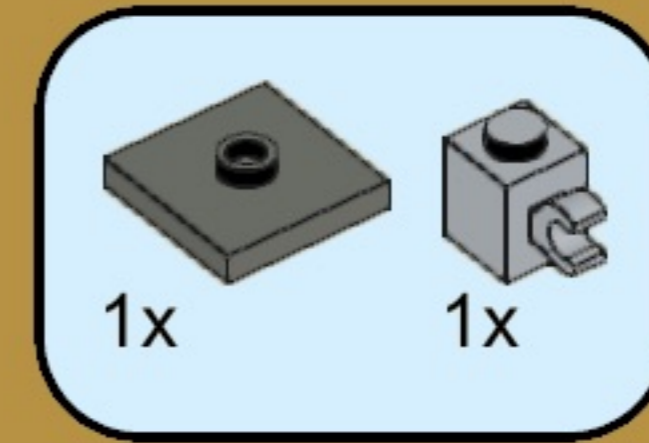


199

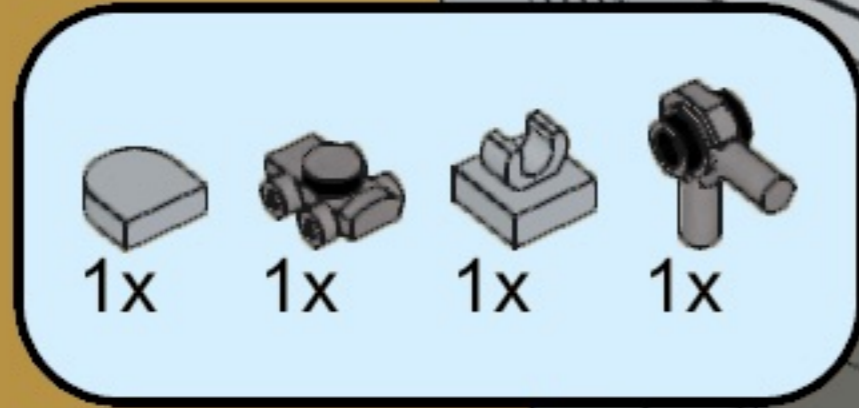
200



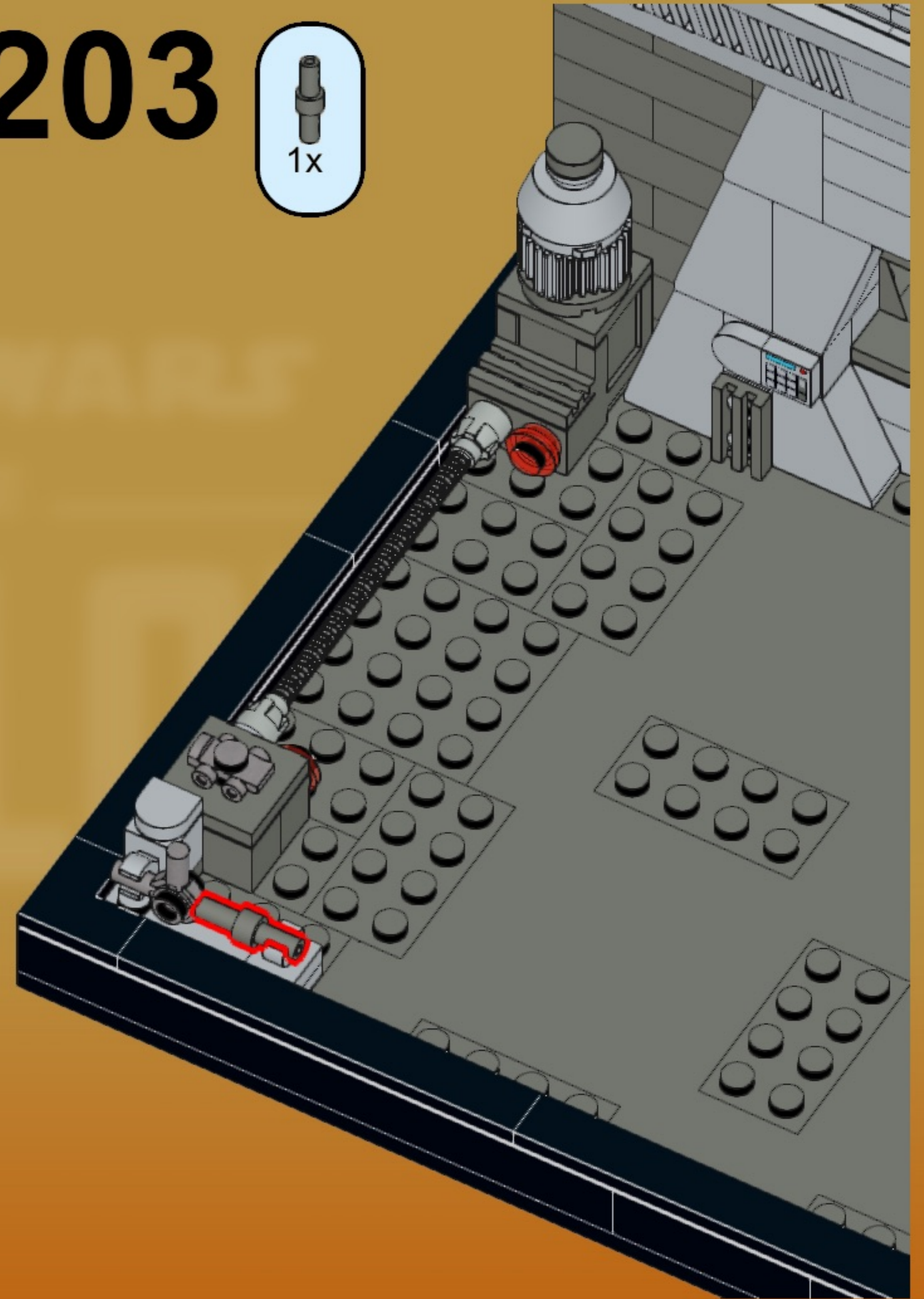
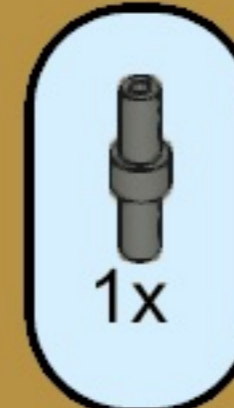
201



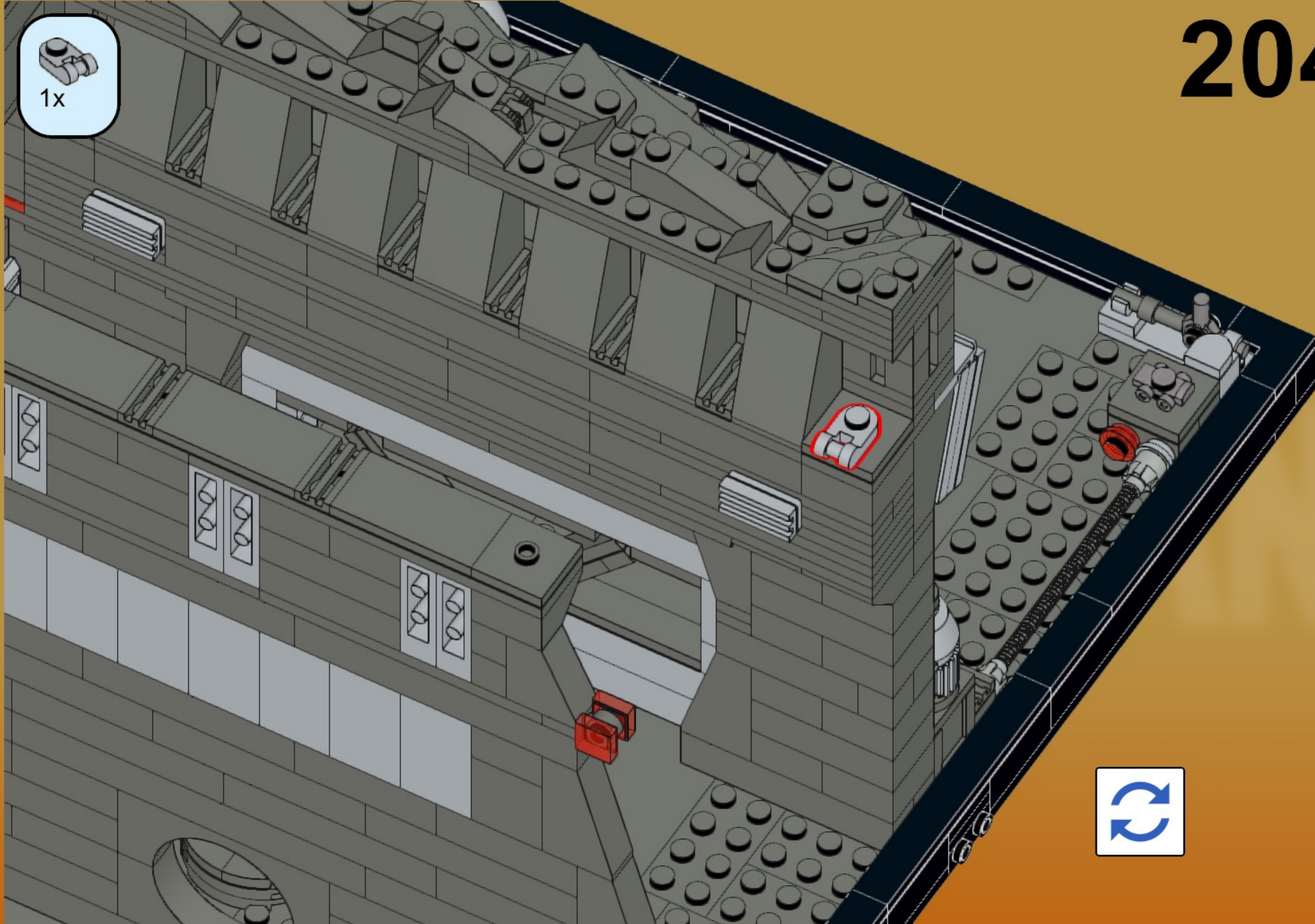
202



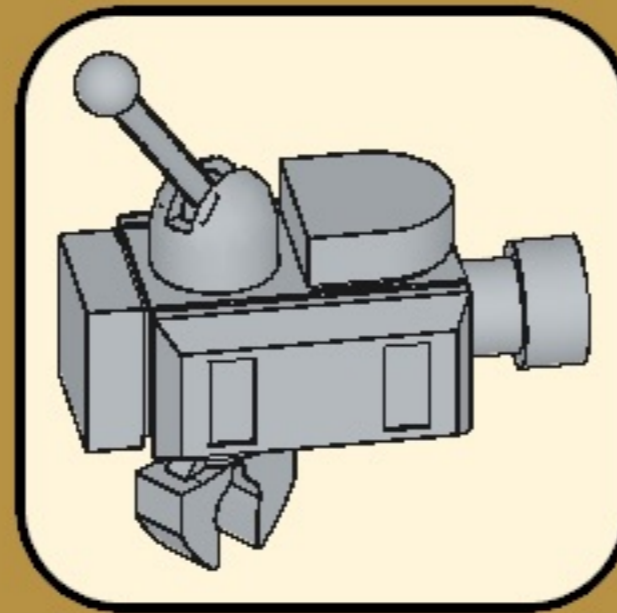
203



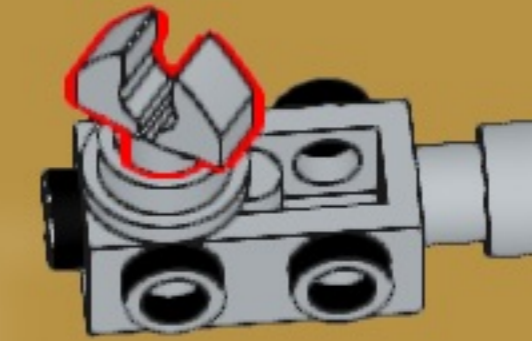
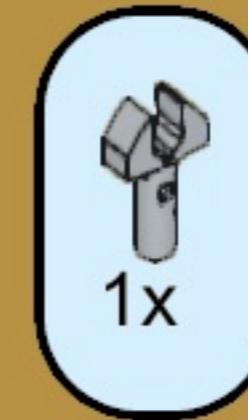
204



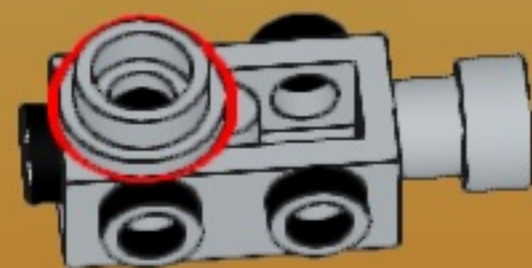
206



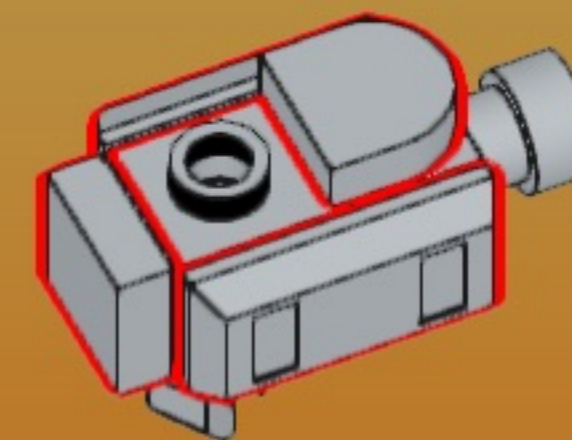
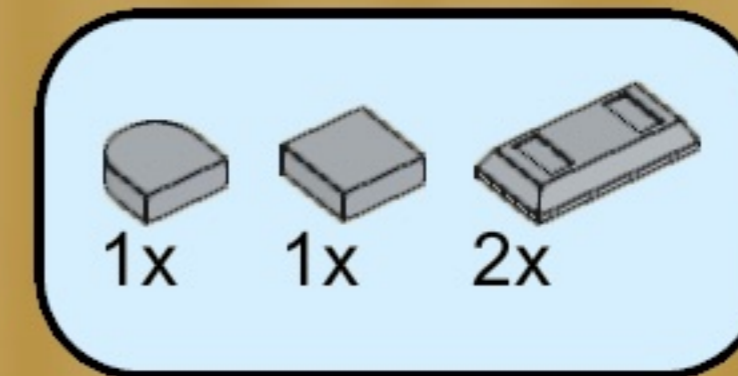
208



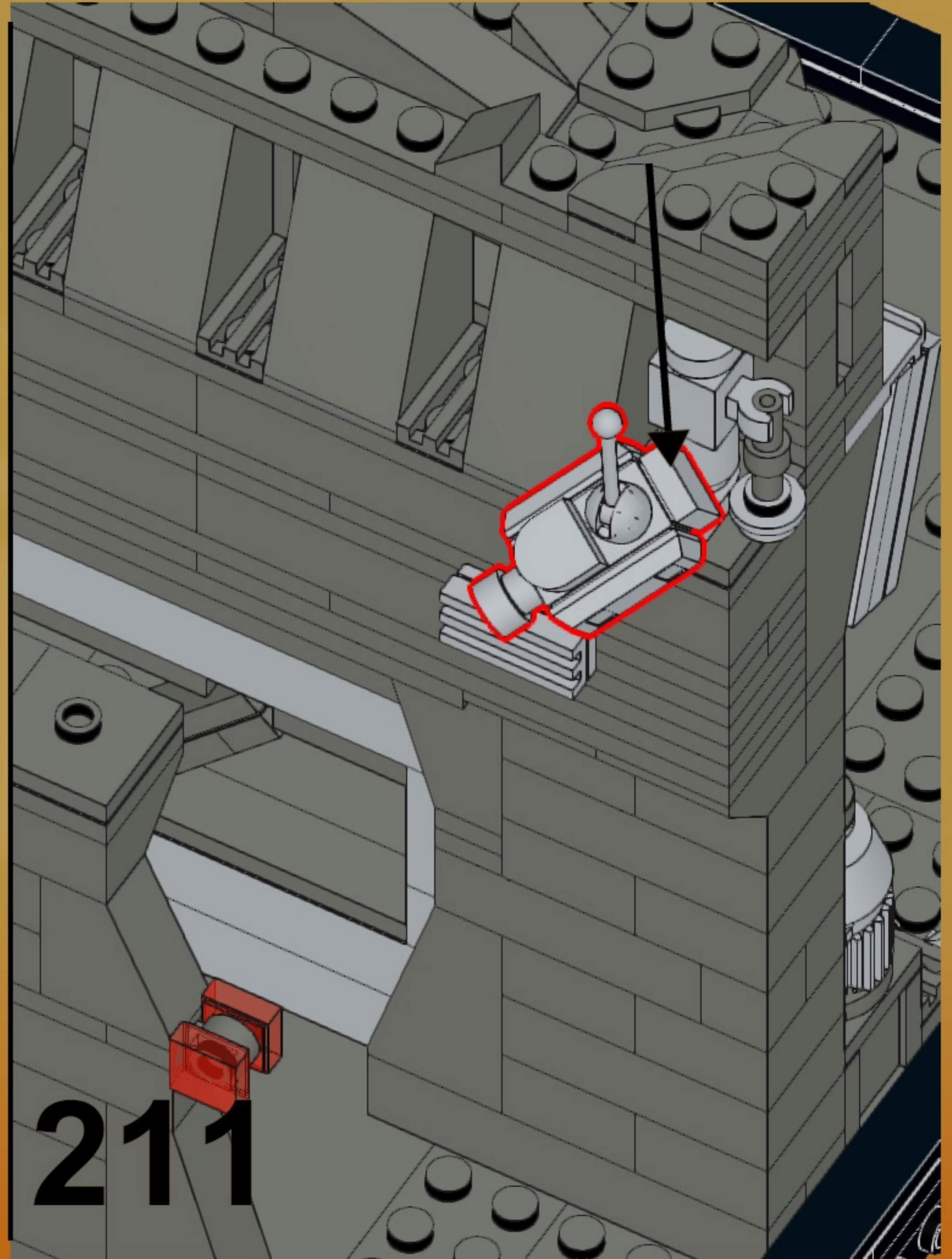
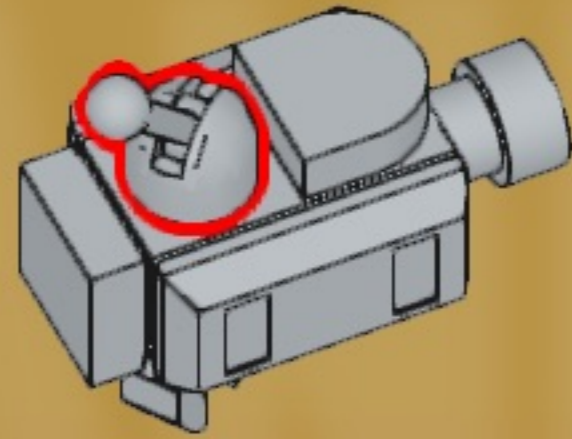
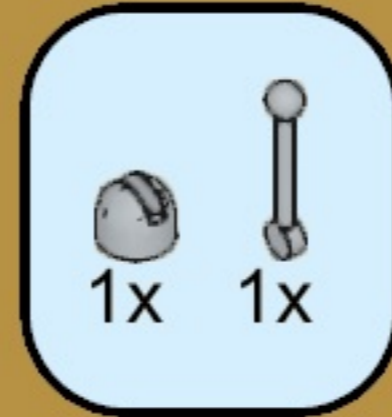
207



209

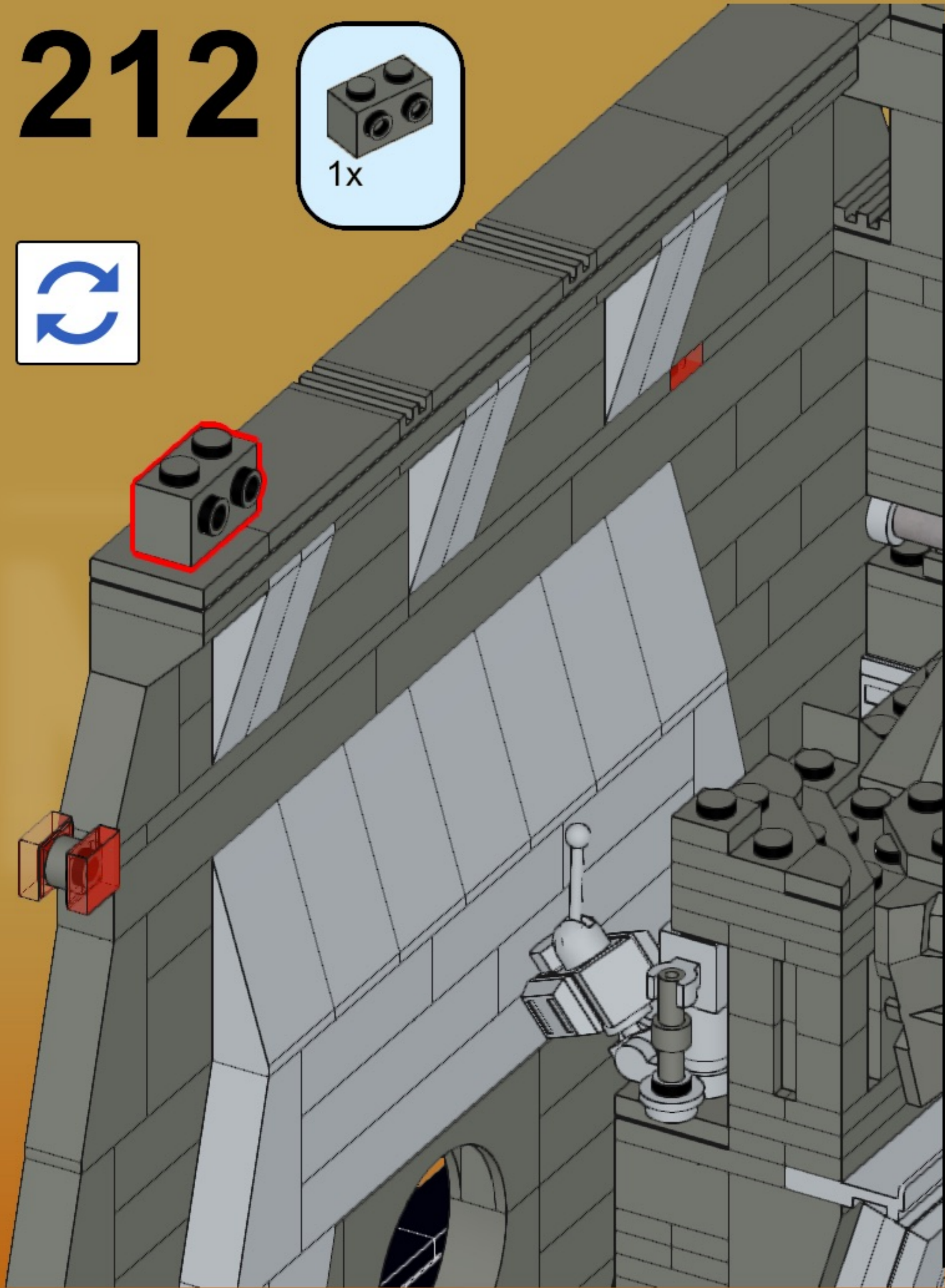
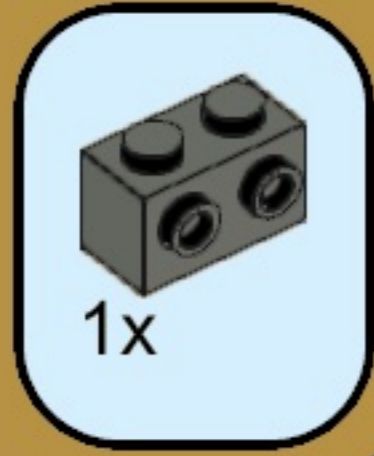


210

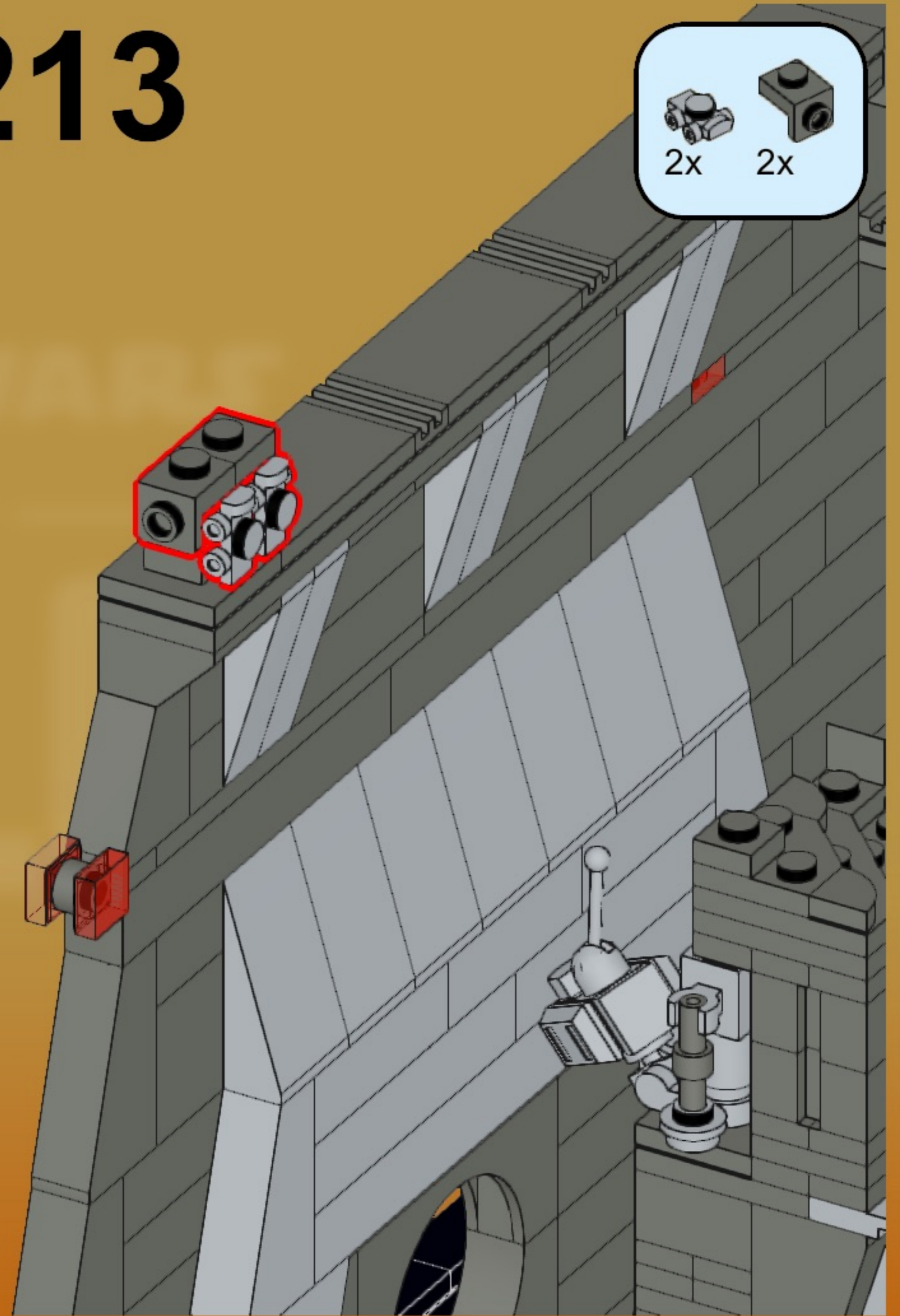
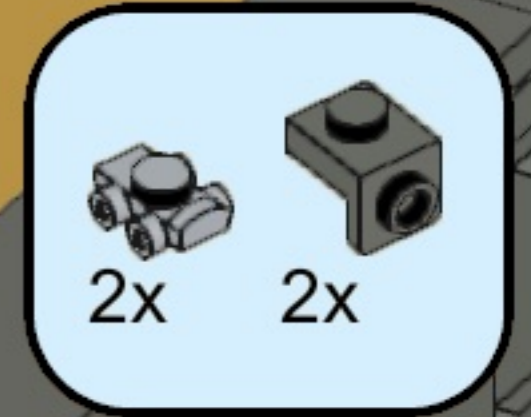


211

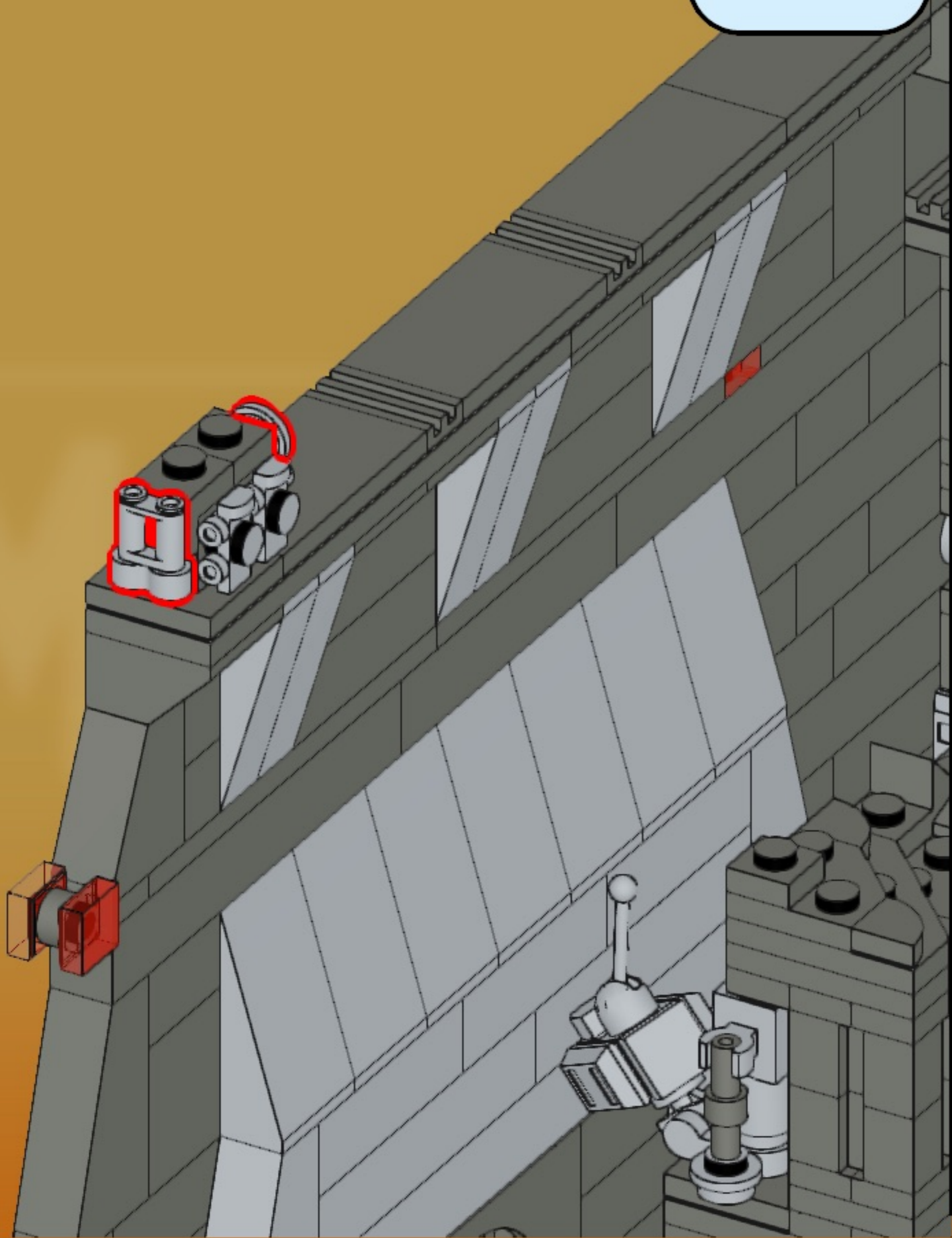
212



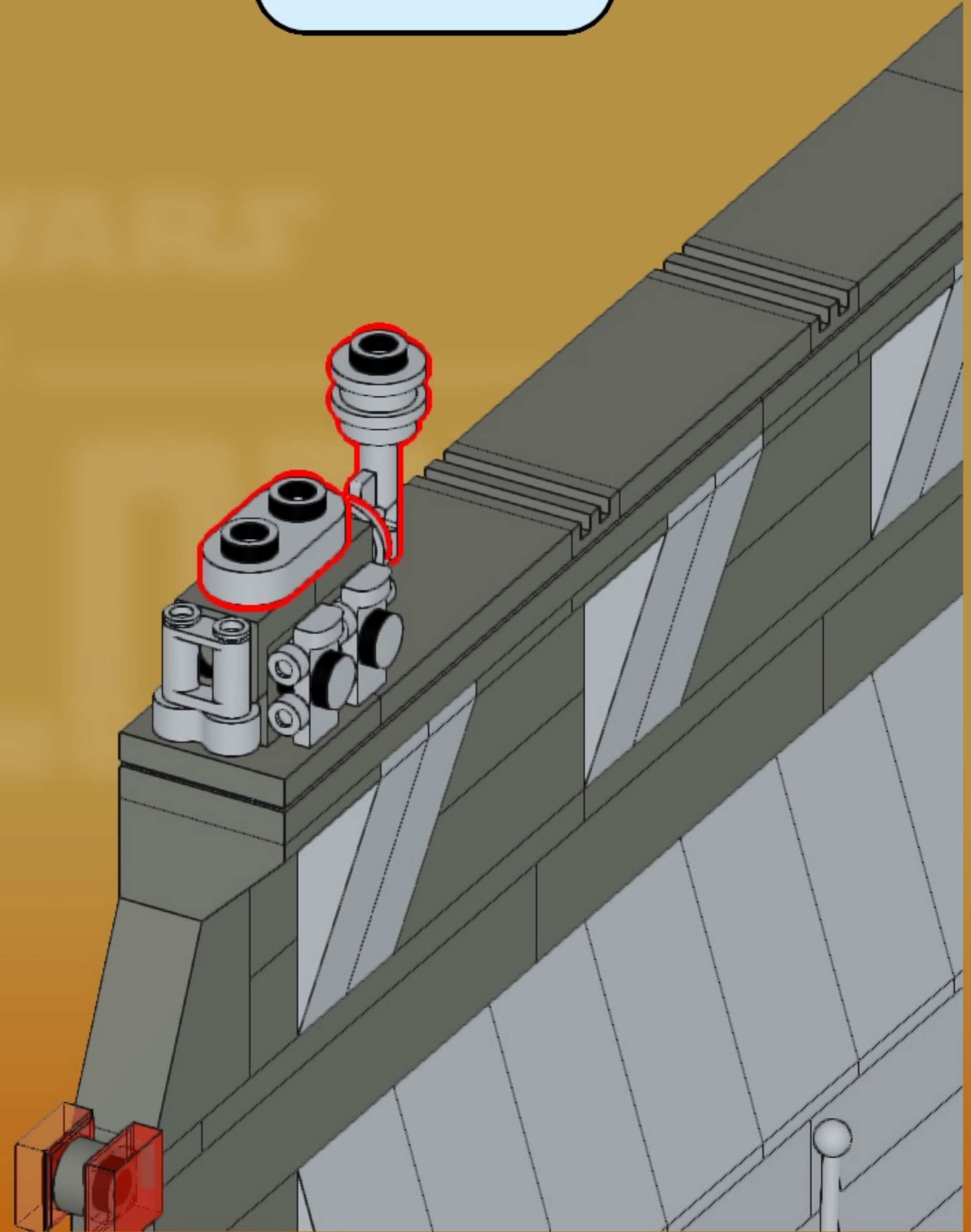
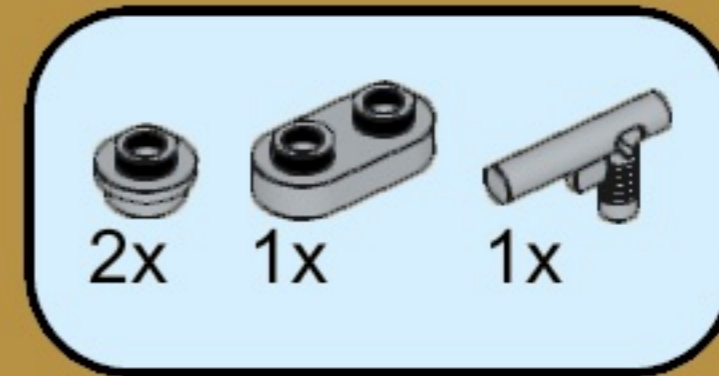
213



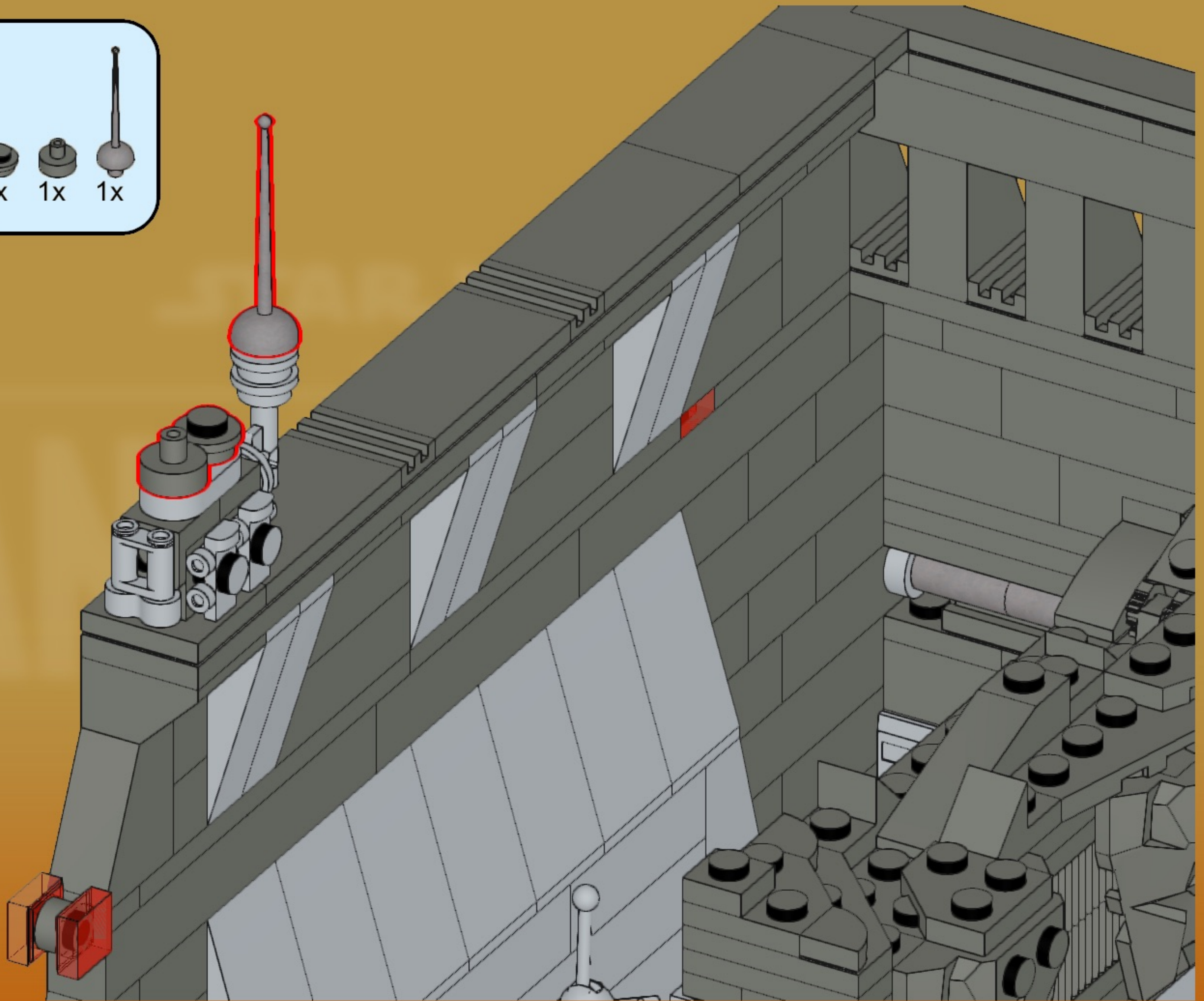
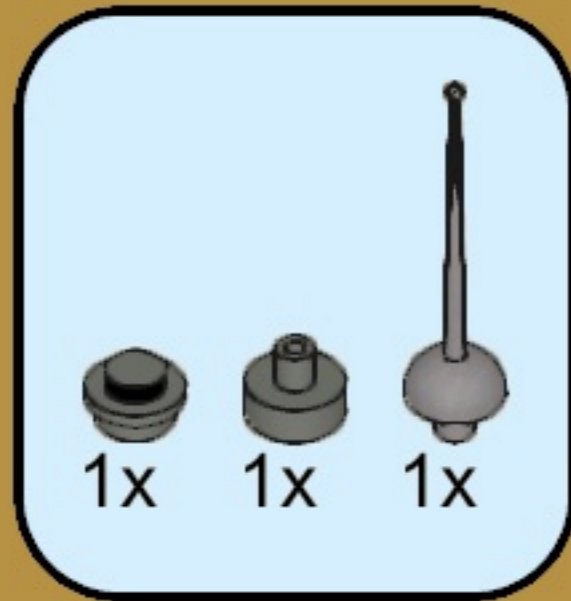
214



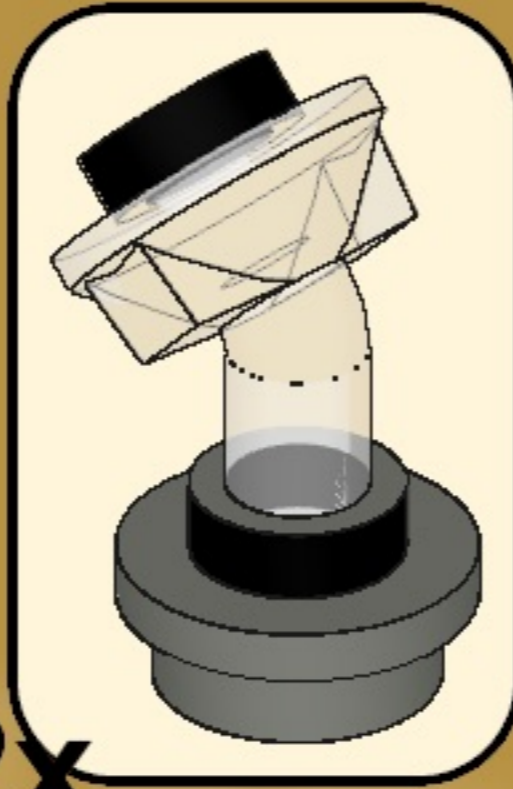
215



216



217

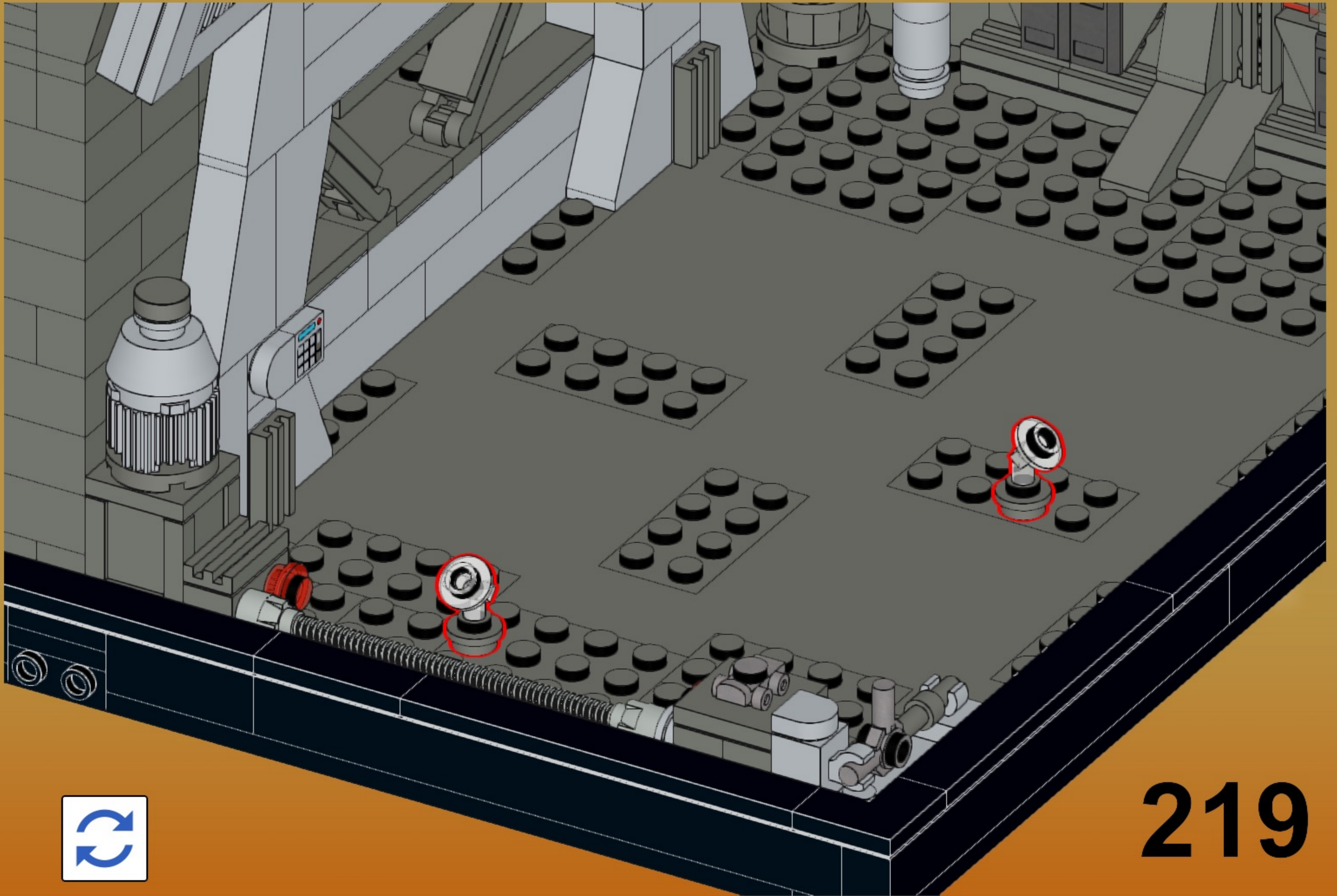


2x



218

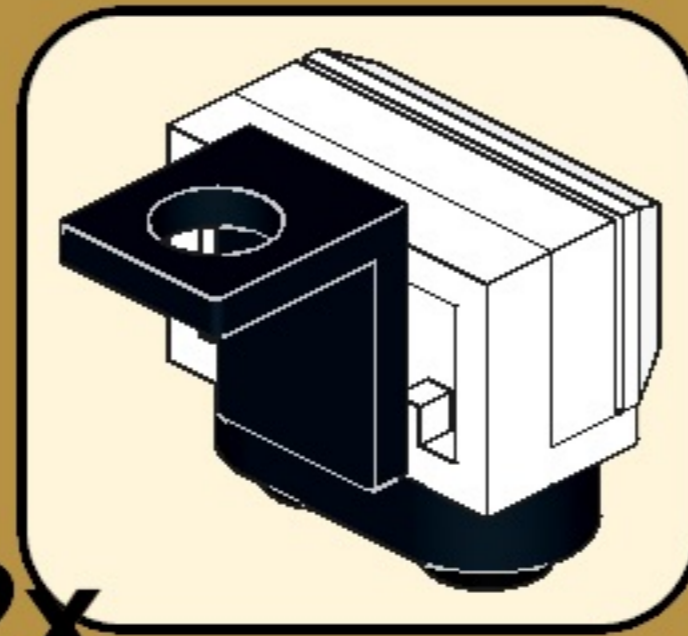




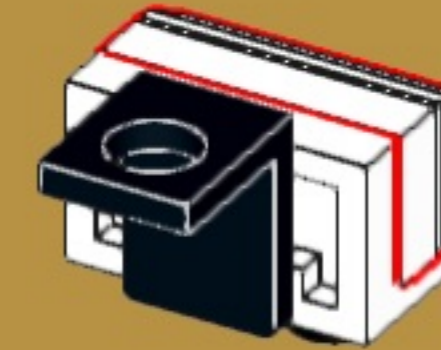
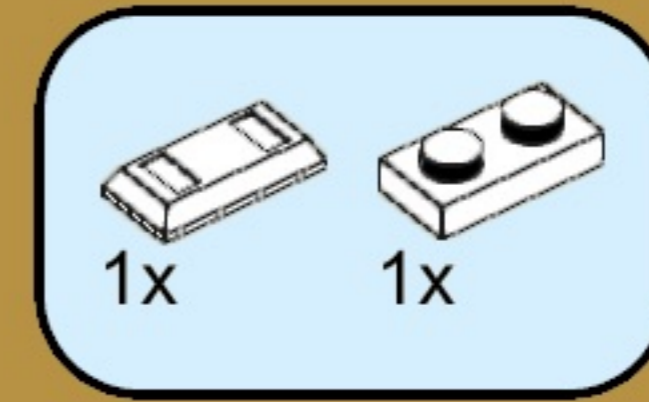
219



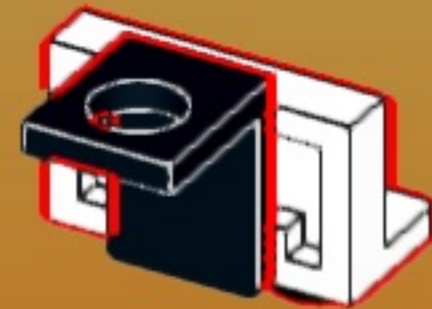
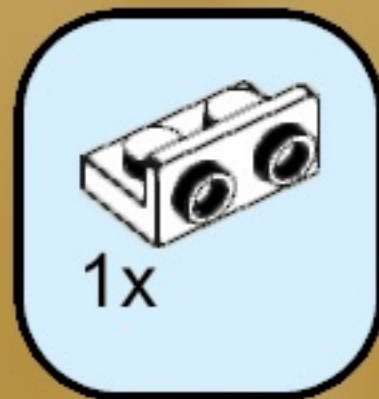
220



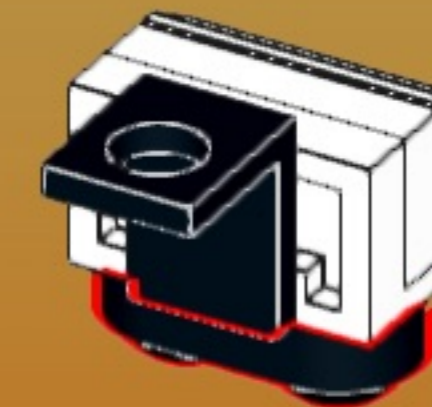
222



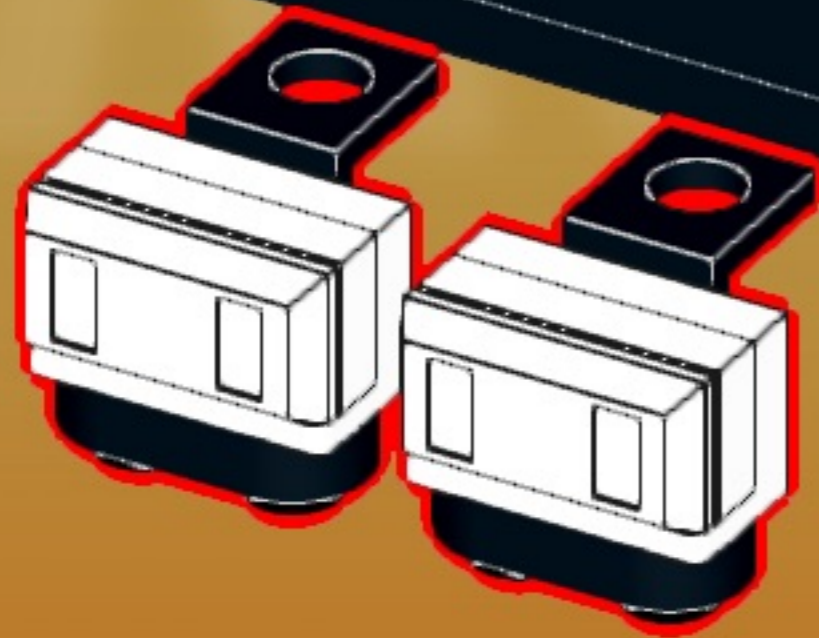
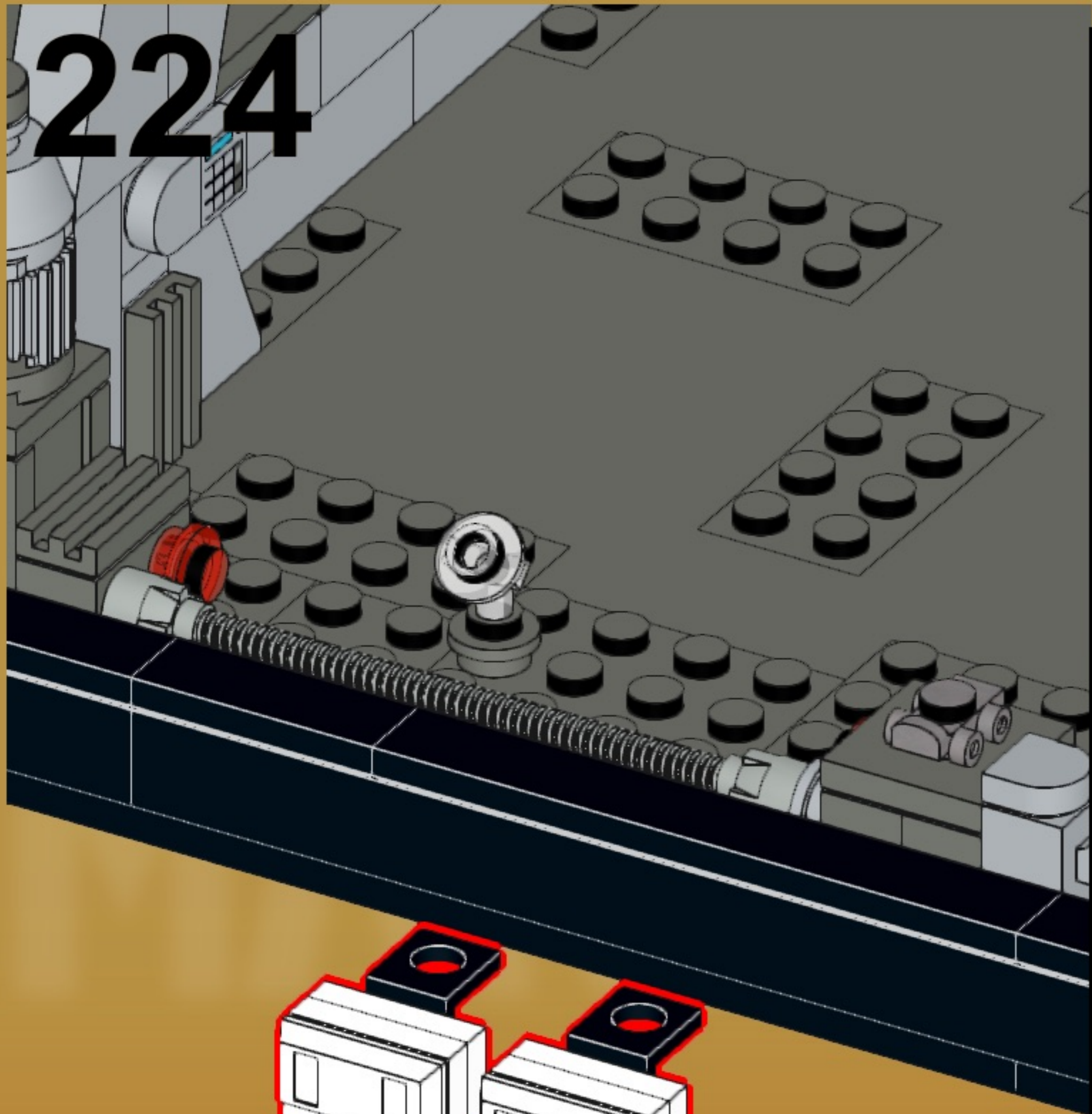
221



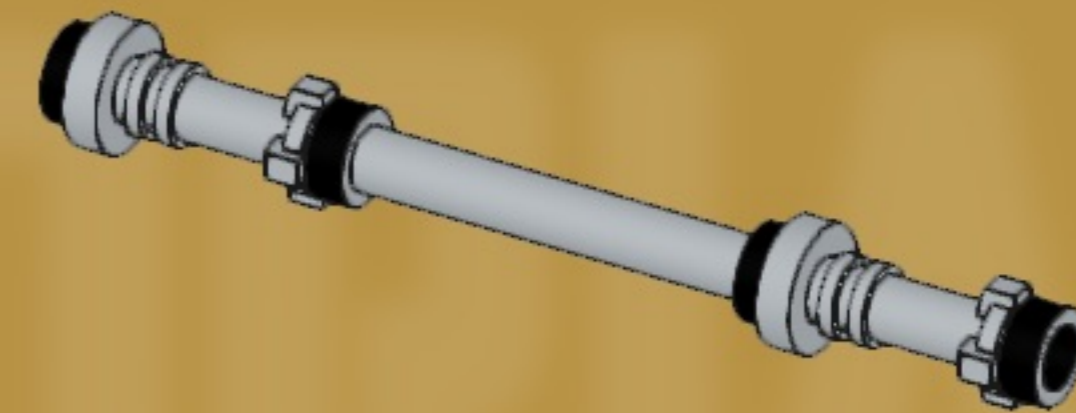
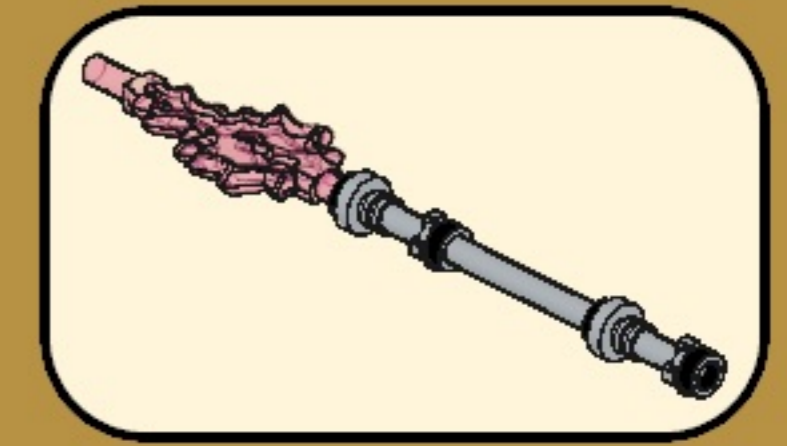
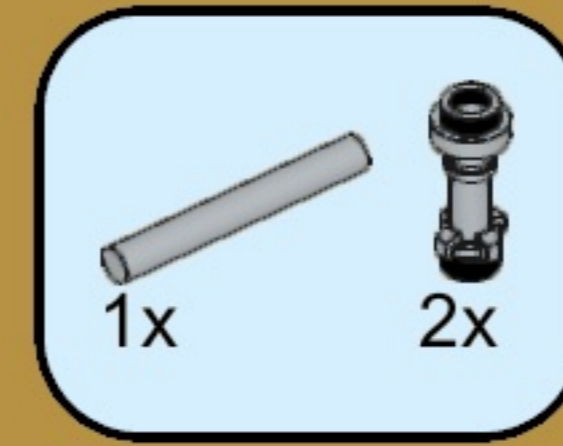
223



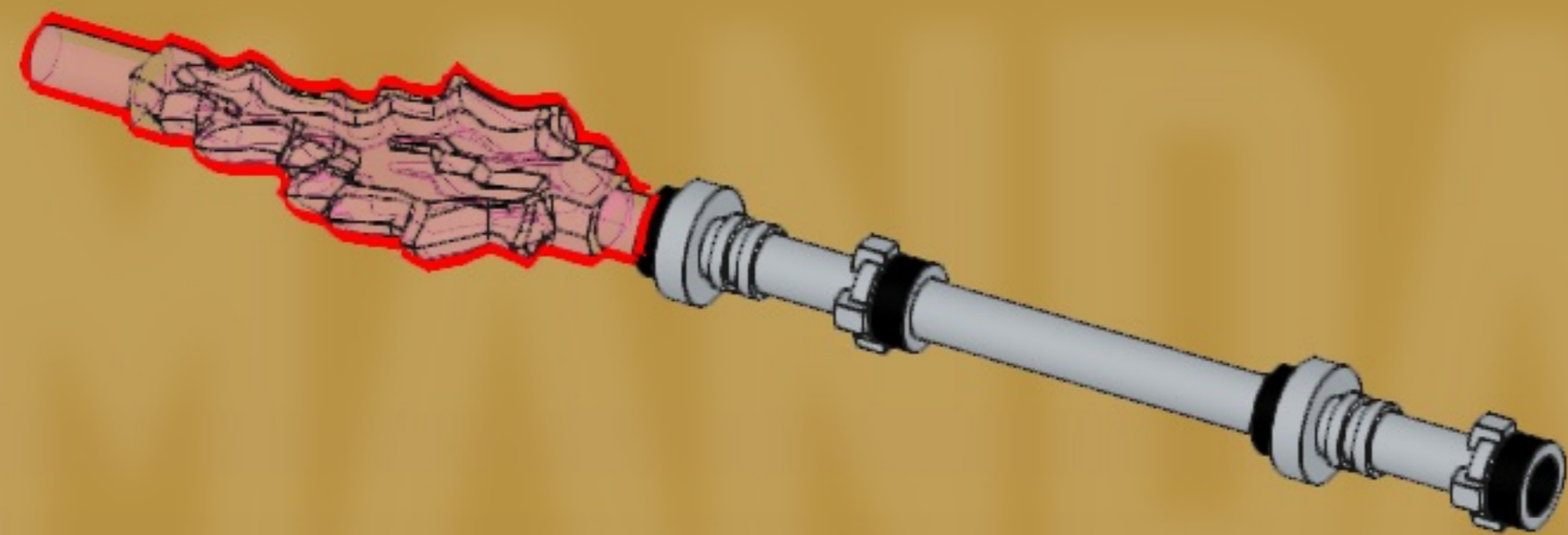
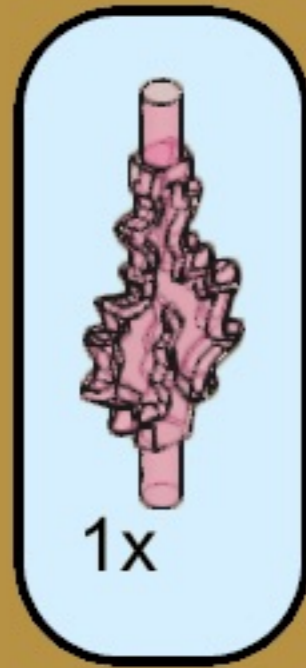
224



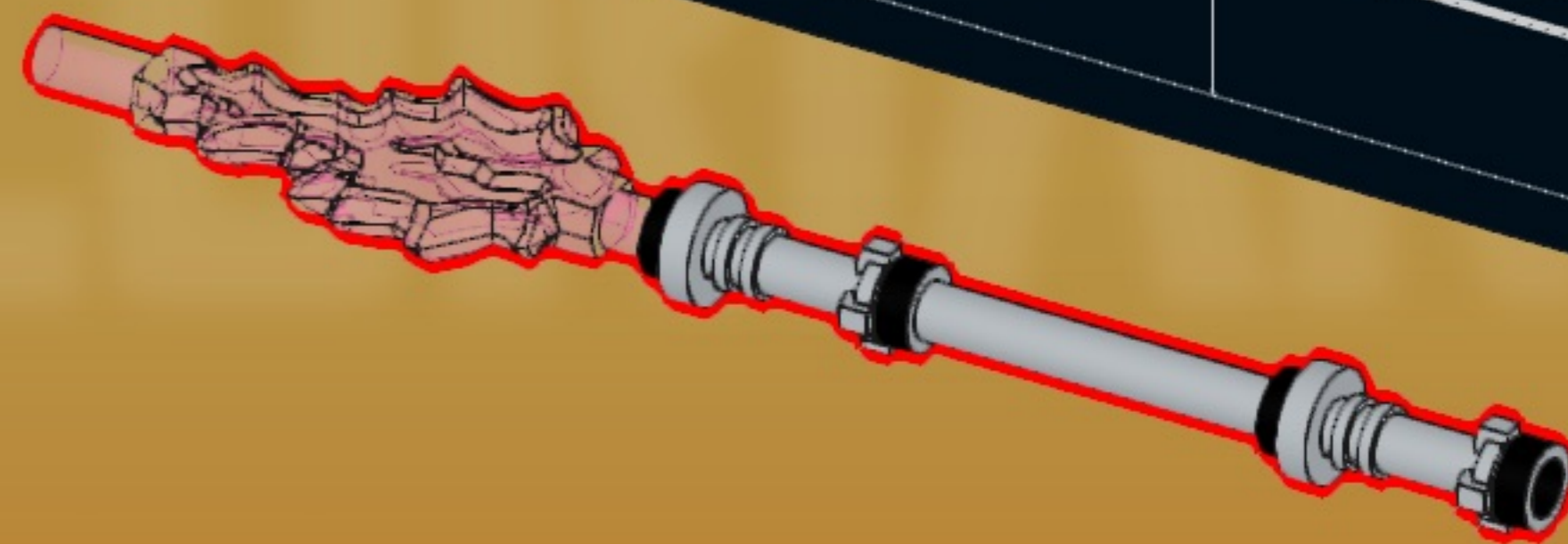
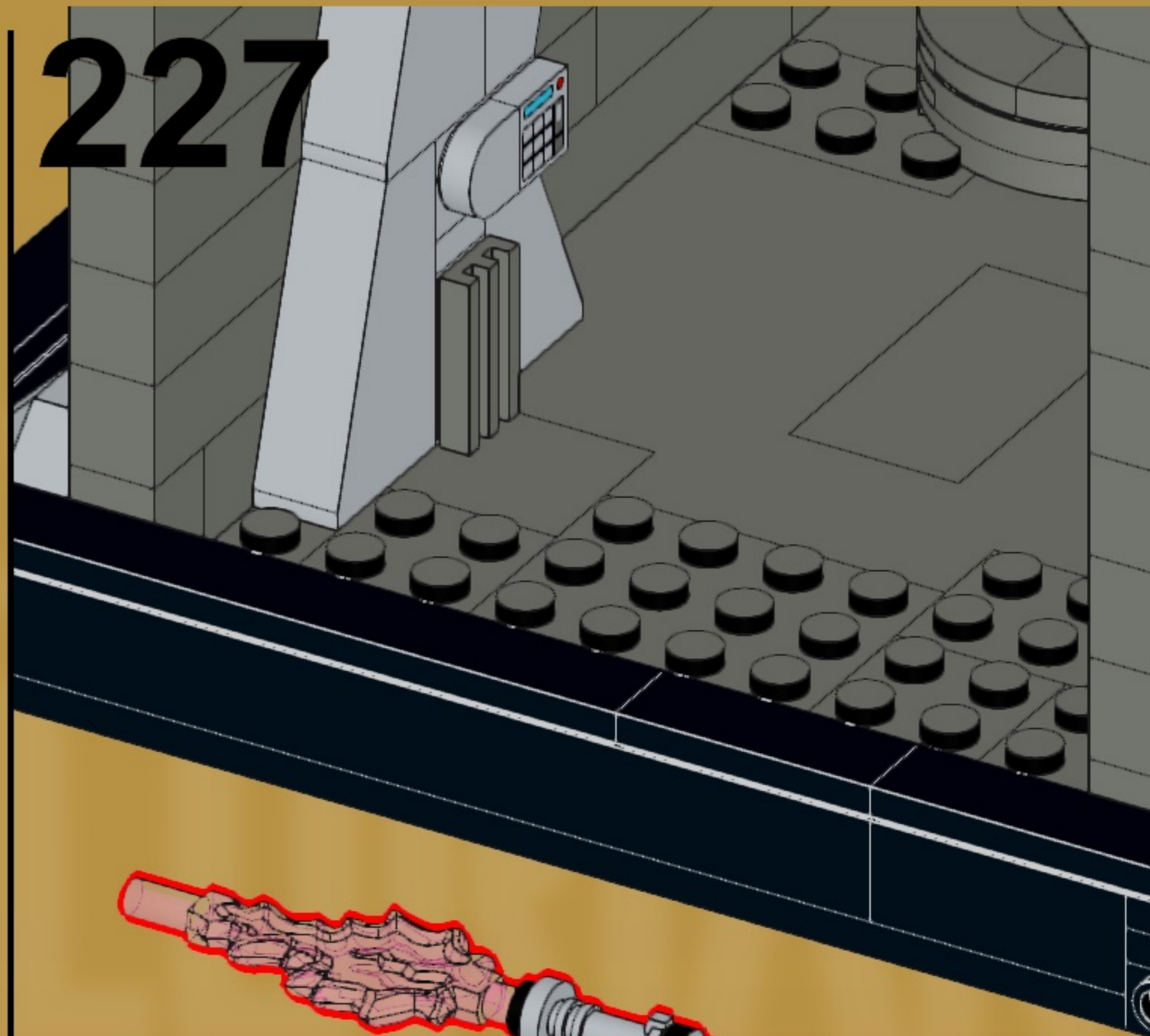
225



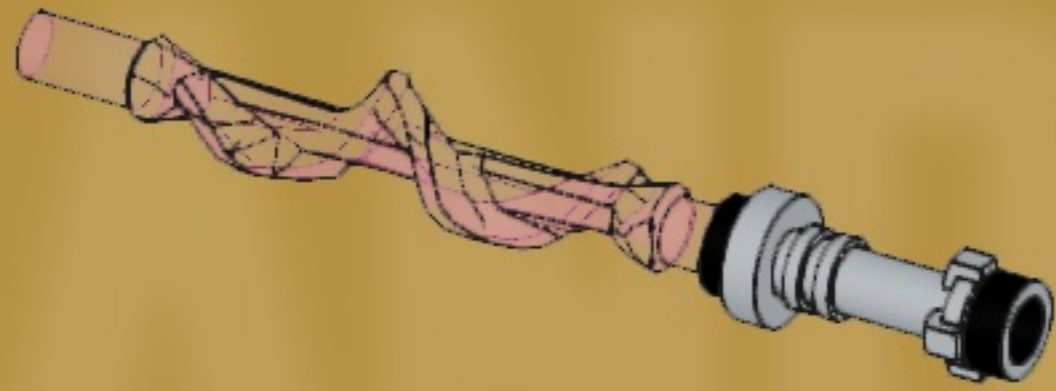
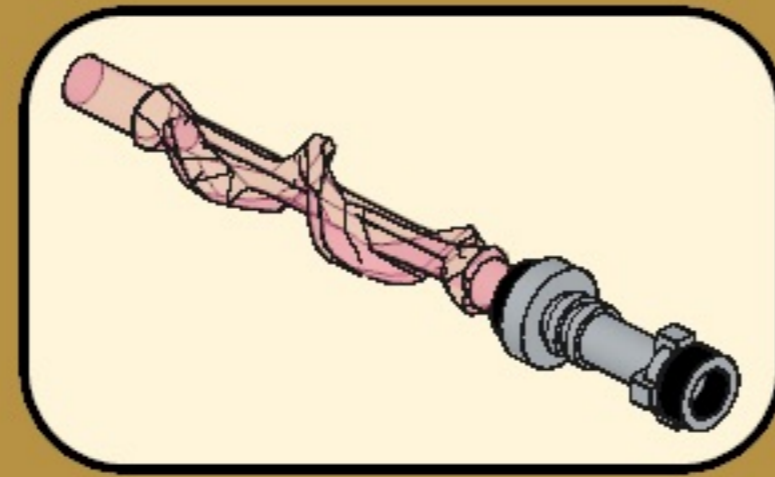
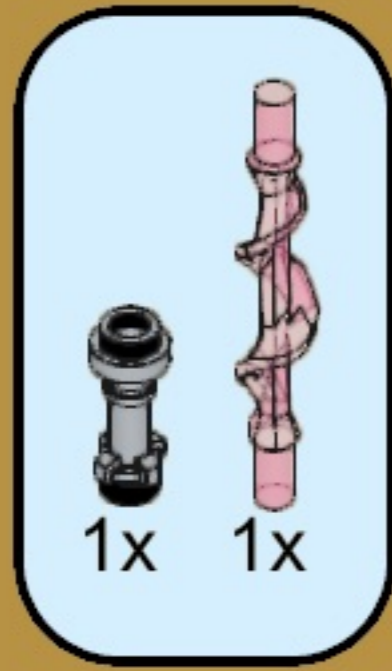
226



227



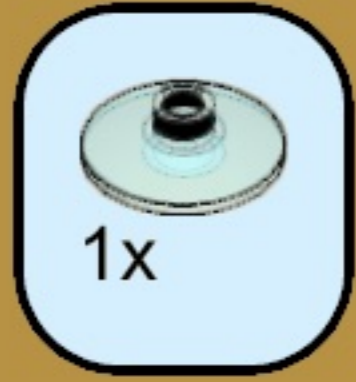
228



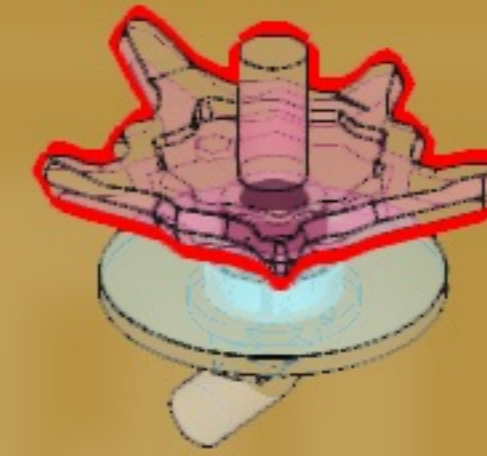
229



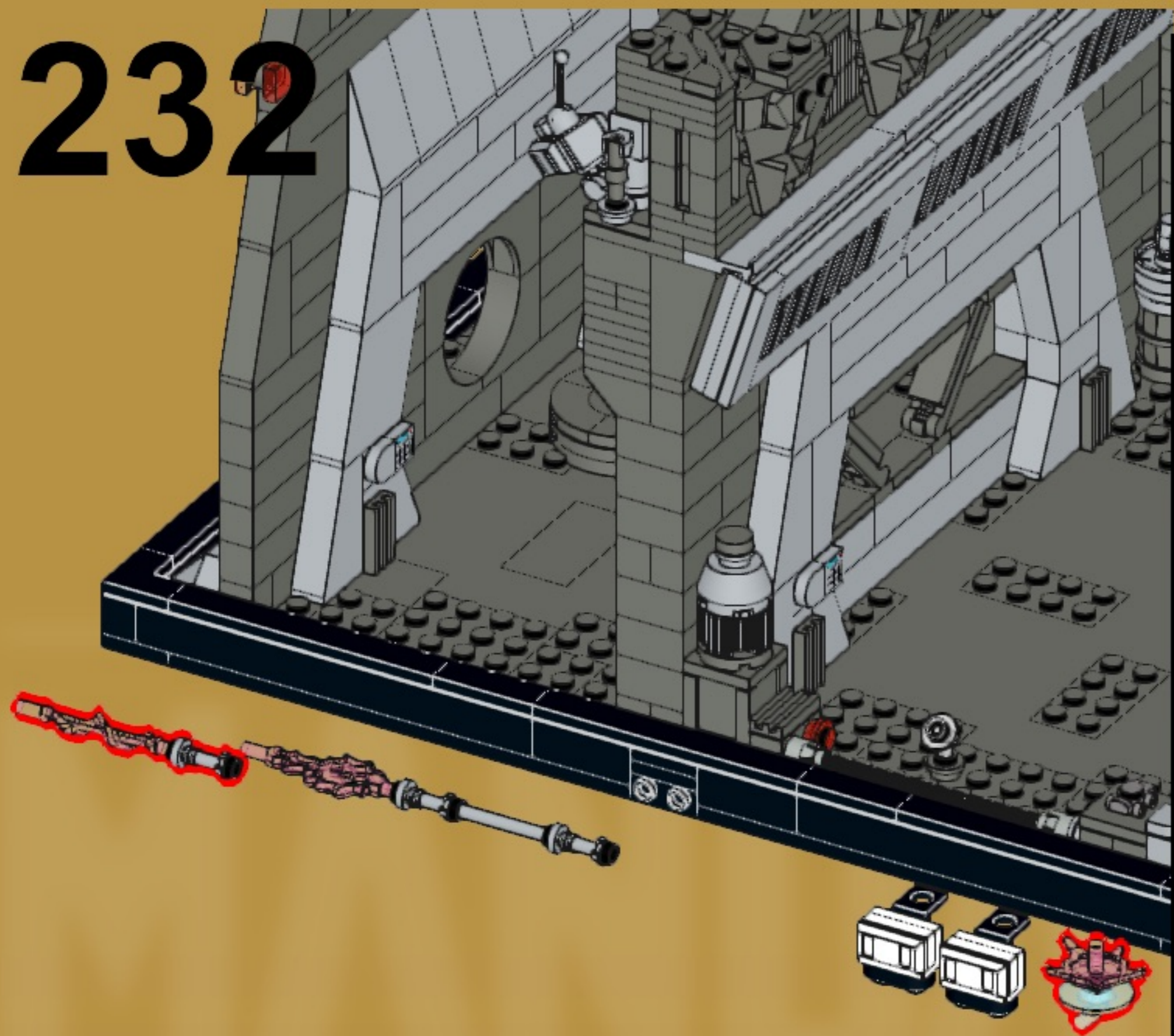
230



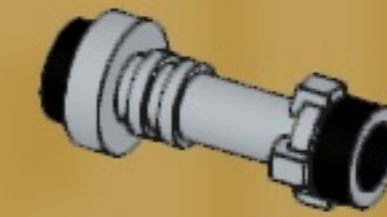
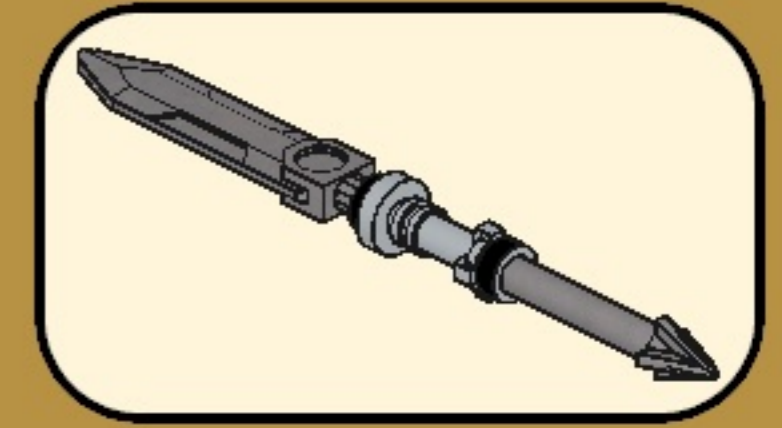
231



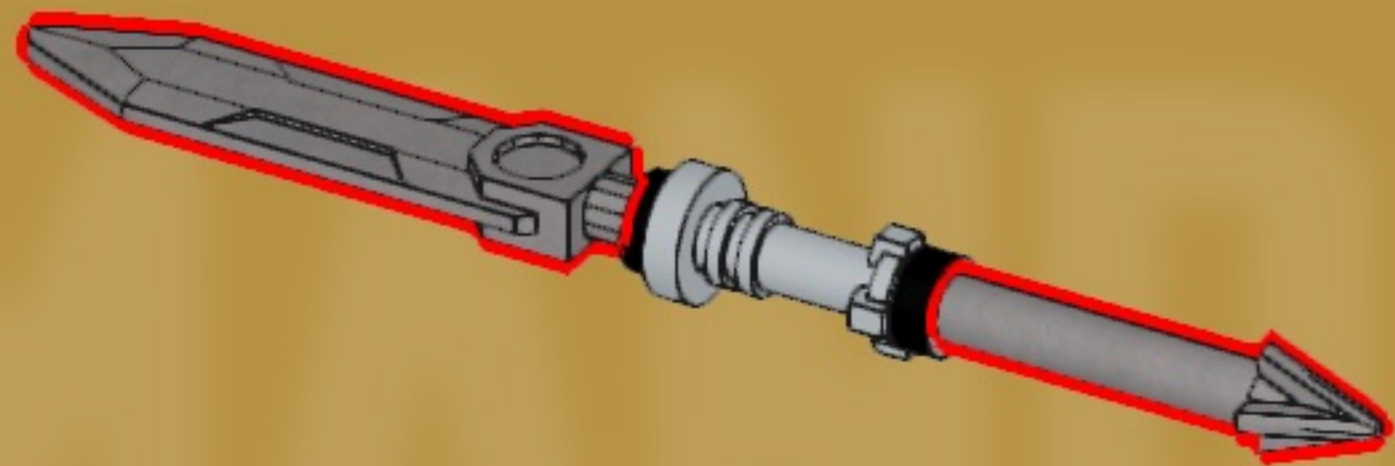
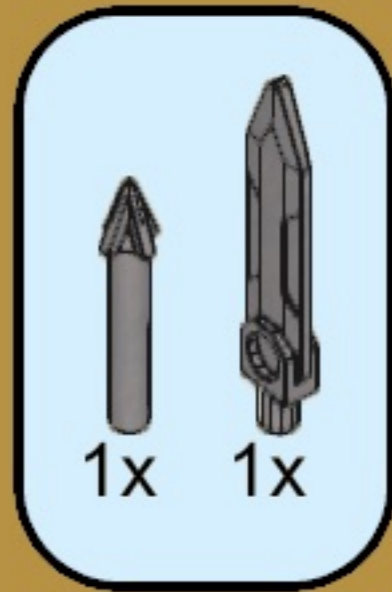
232



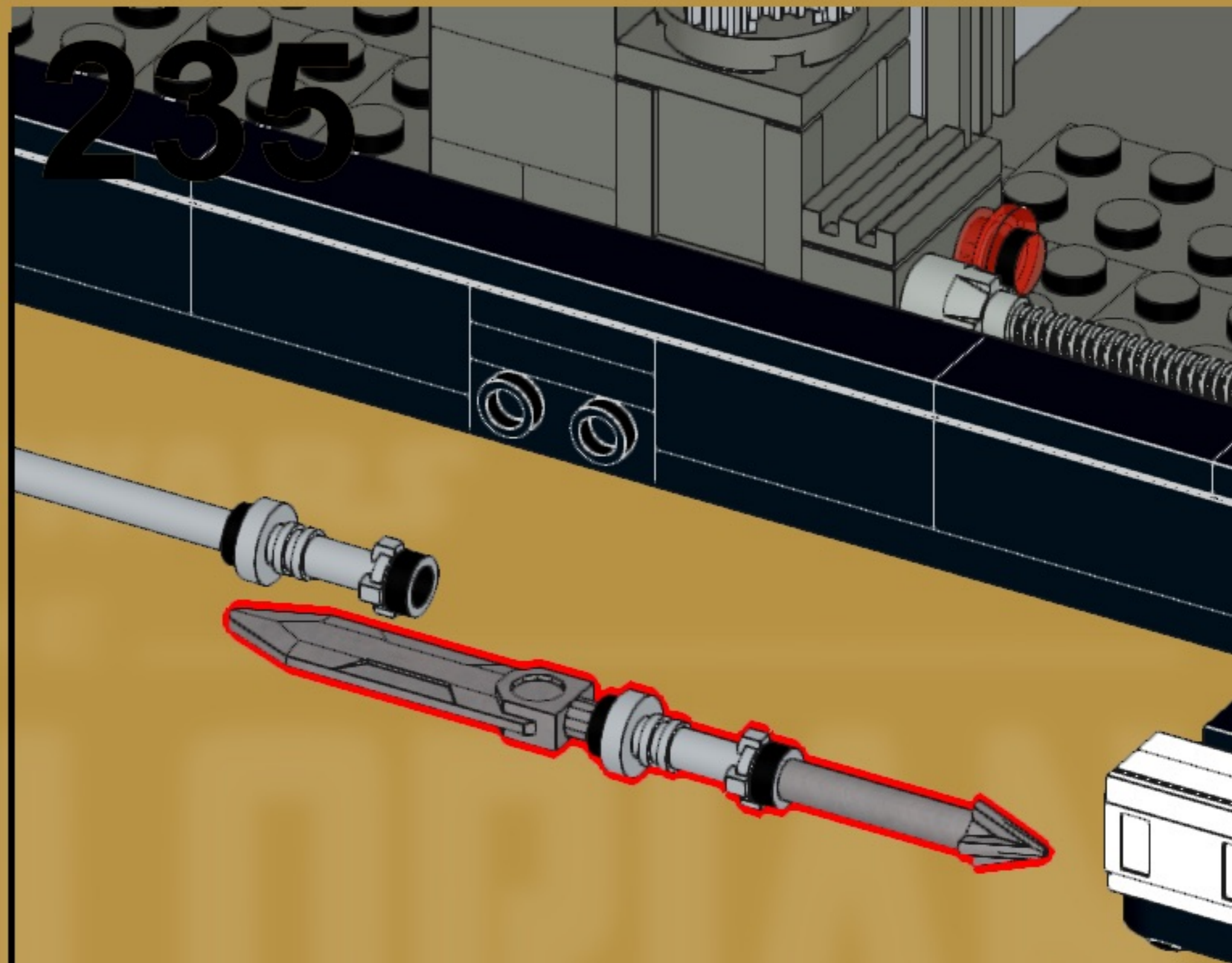
233



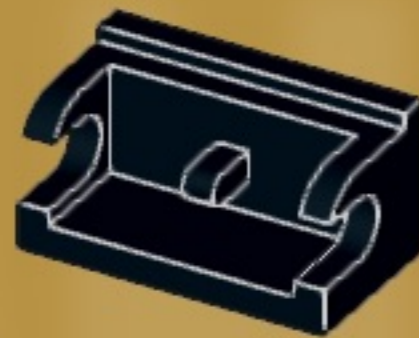
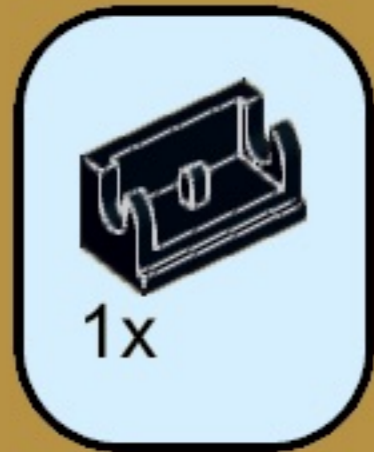
234



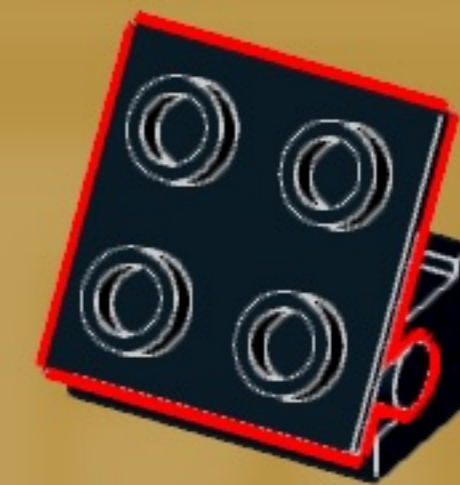
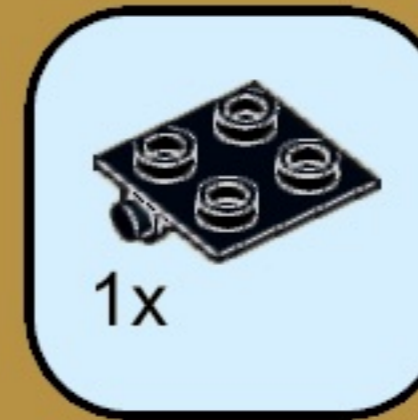
235



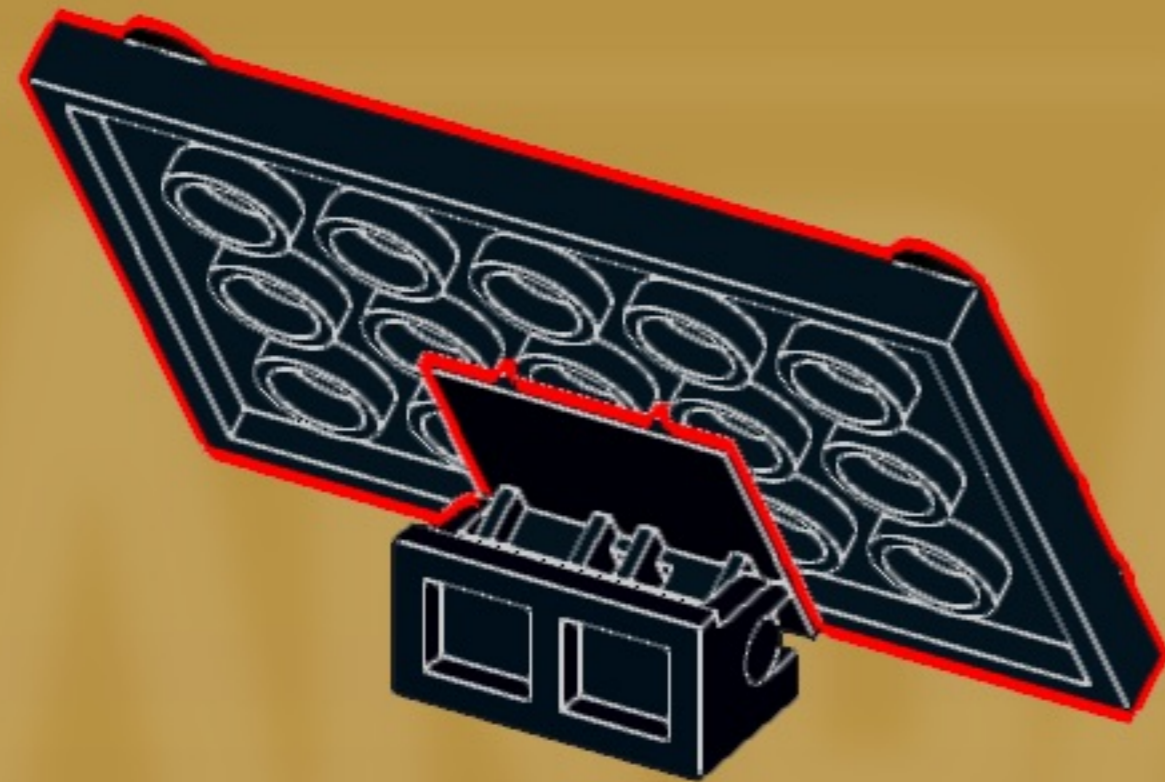
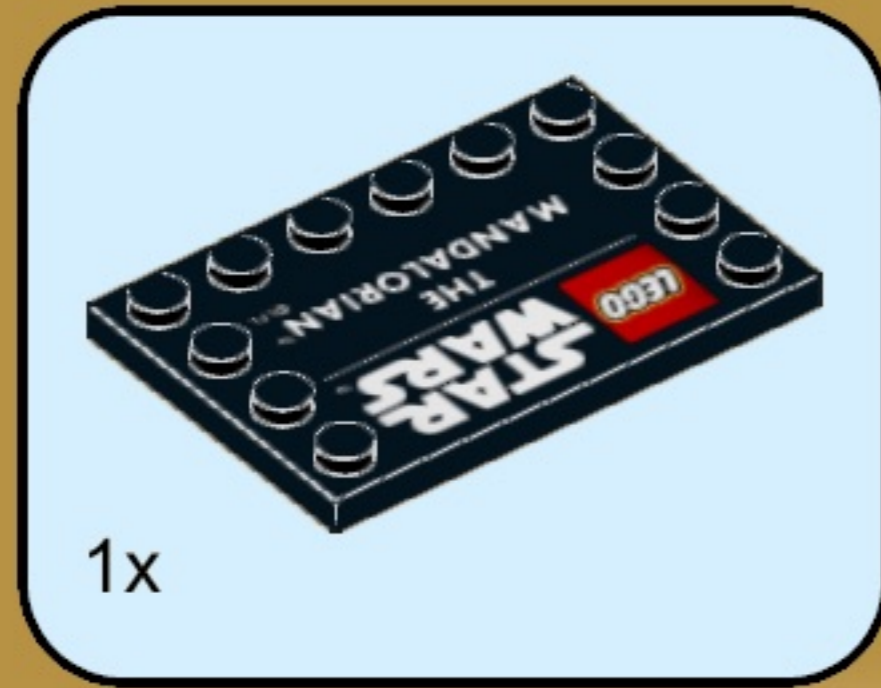
236



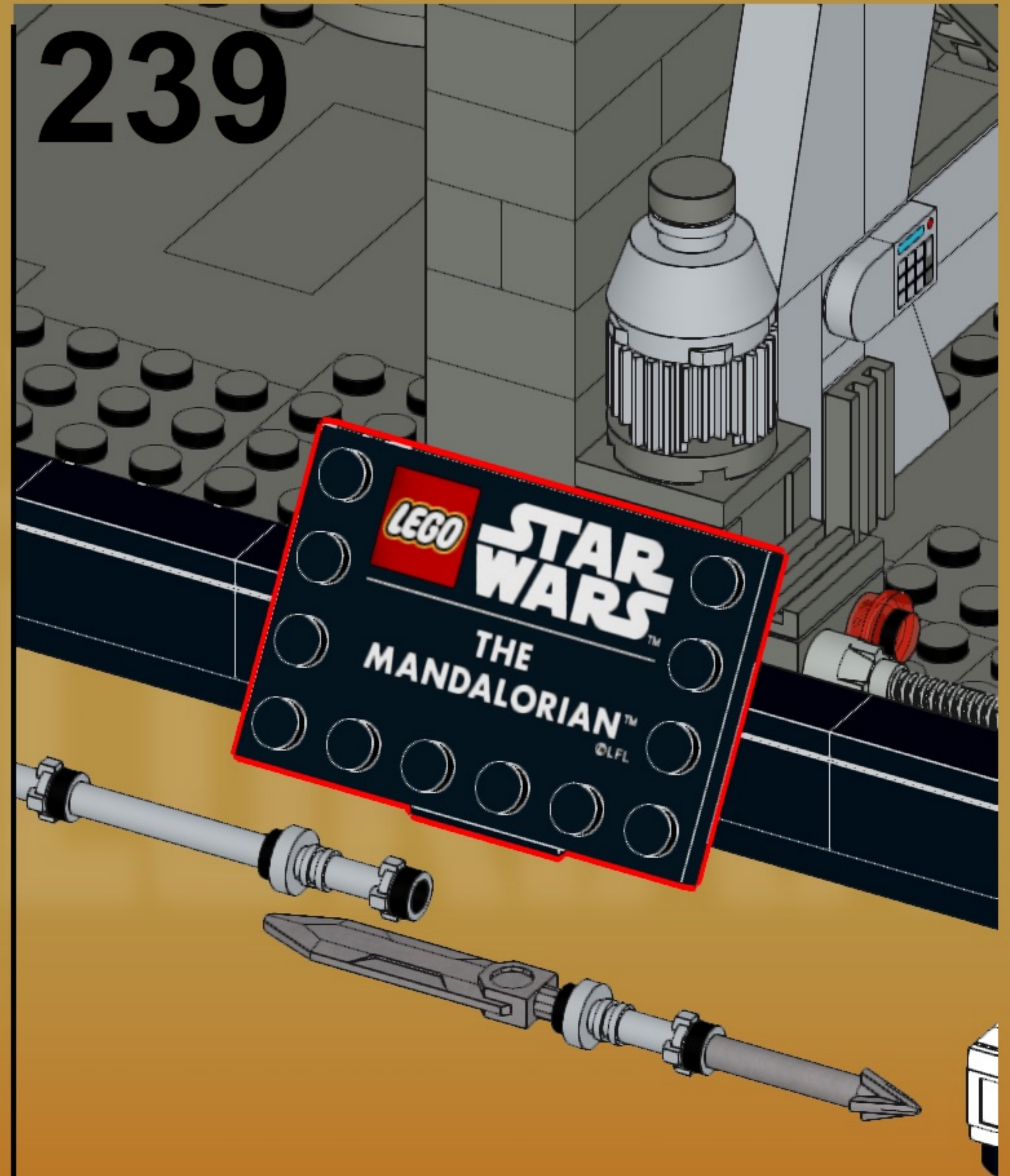
237



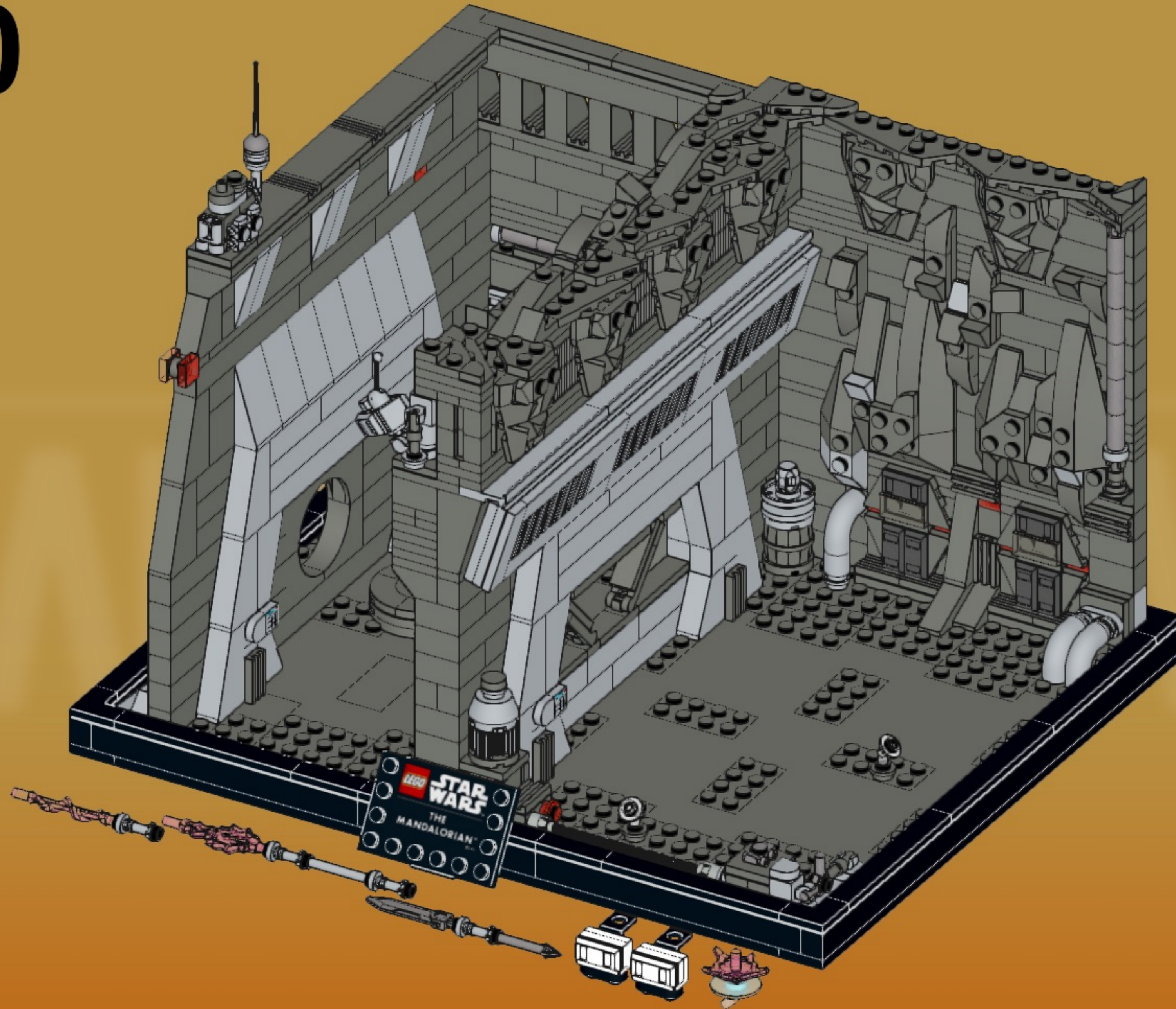
238



239



240

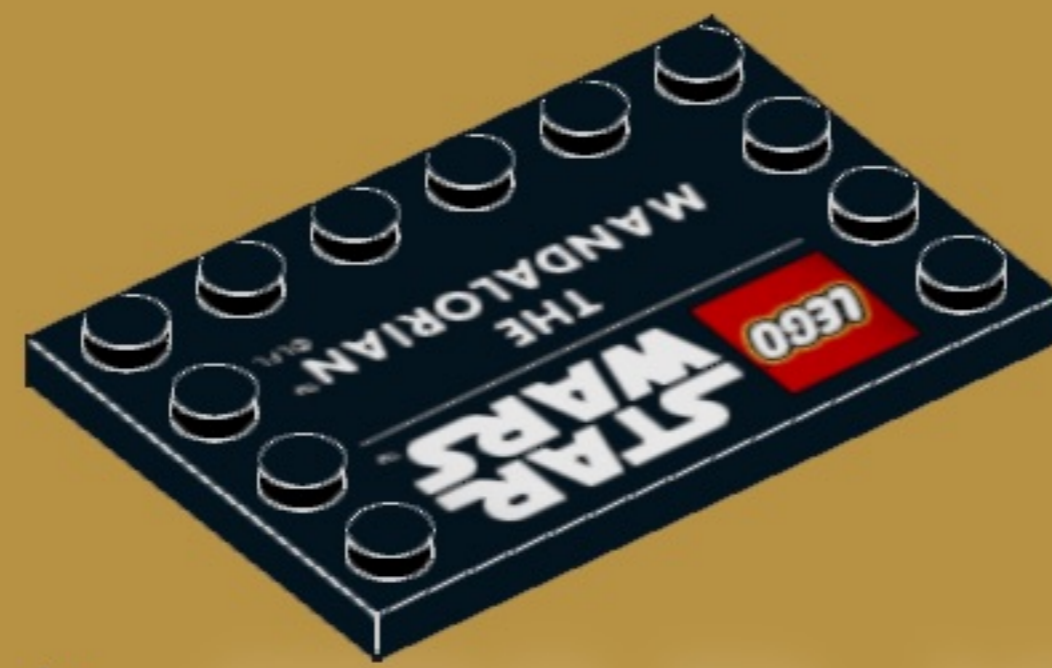




2x
6170808



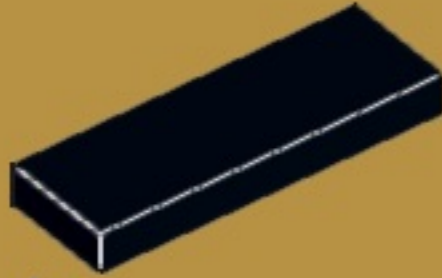
1x
6052126



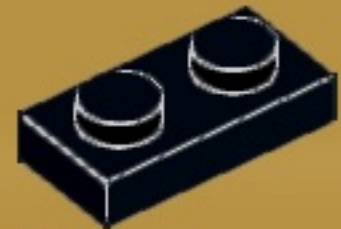
1x
6180pb152 - Tile, Modified 4 x 6 with Studs on Edges with LEGO
Star Wars Logo and White 'THE MANDALORIAN' Pattern*



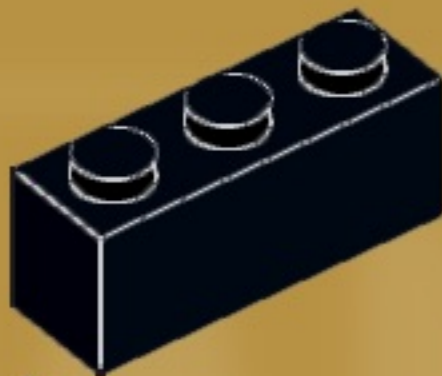
2x
6210270



4x
4558170



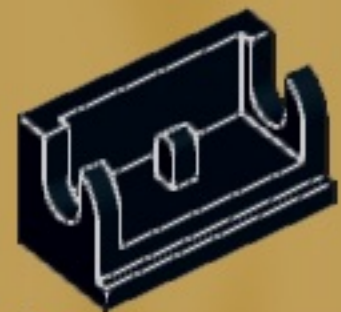
2x
302326



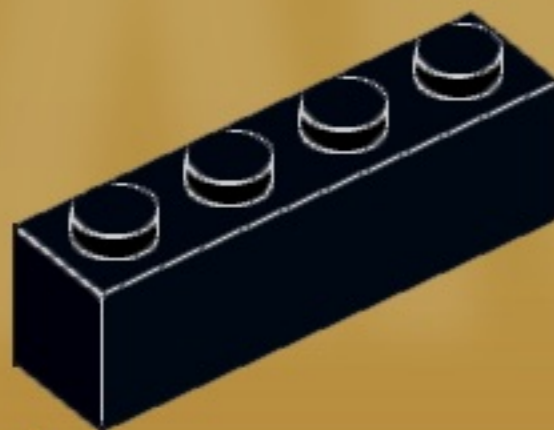
2x
362226



12x
416226



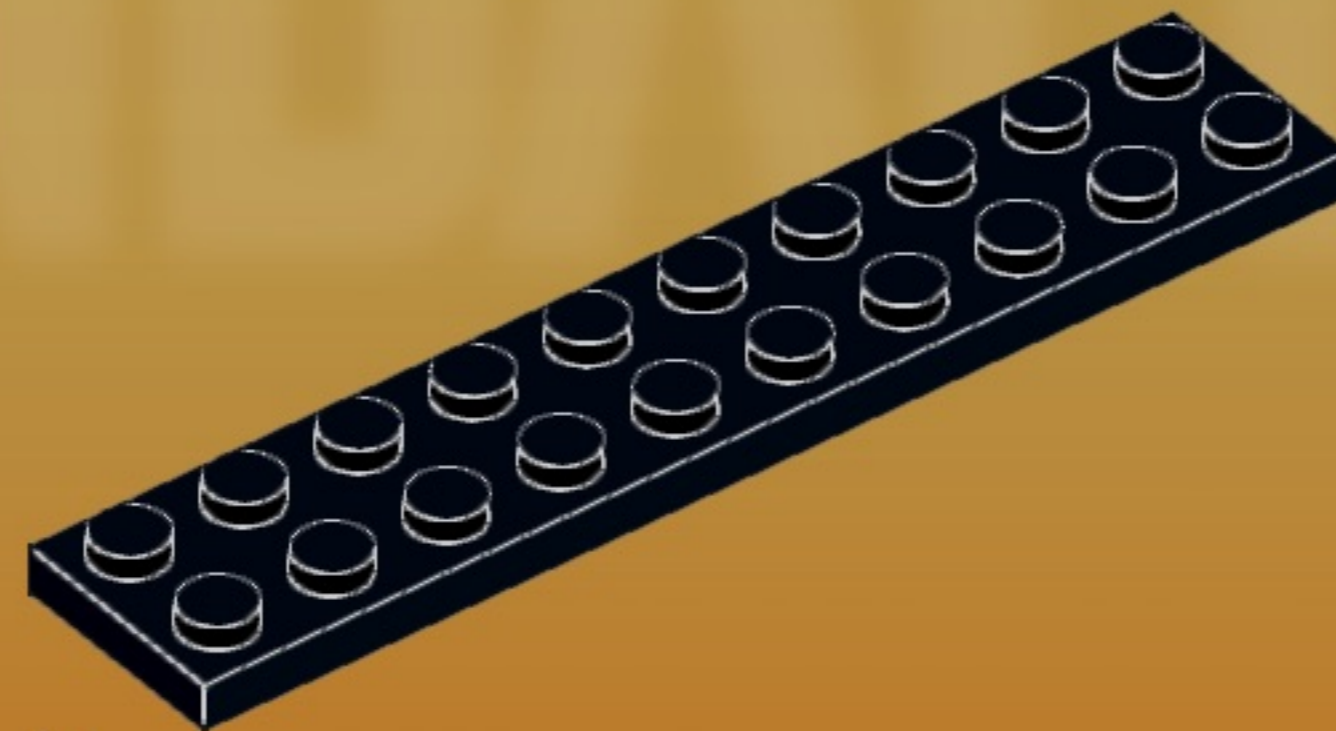
1x
393726



4x
301026



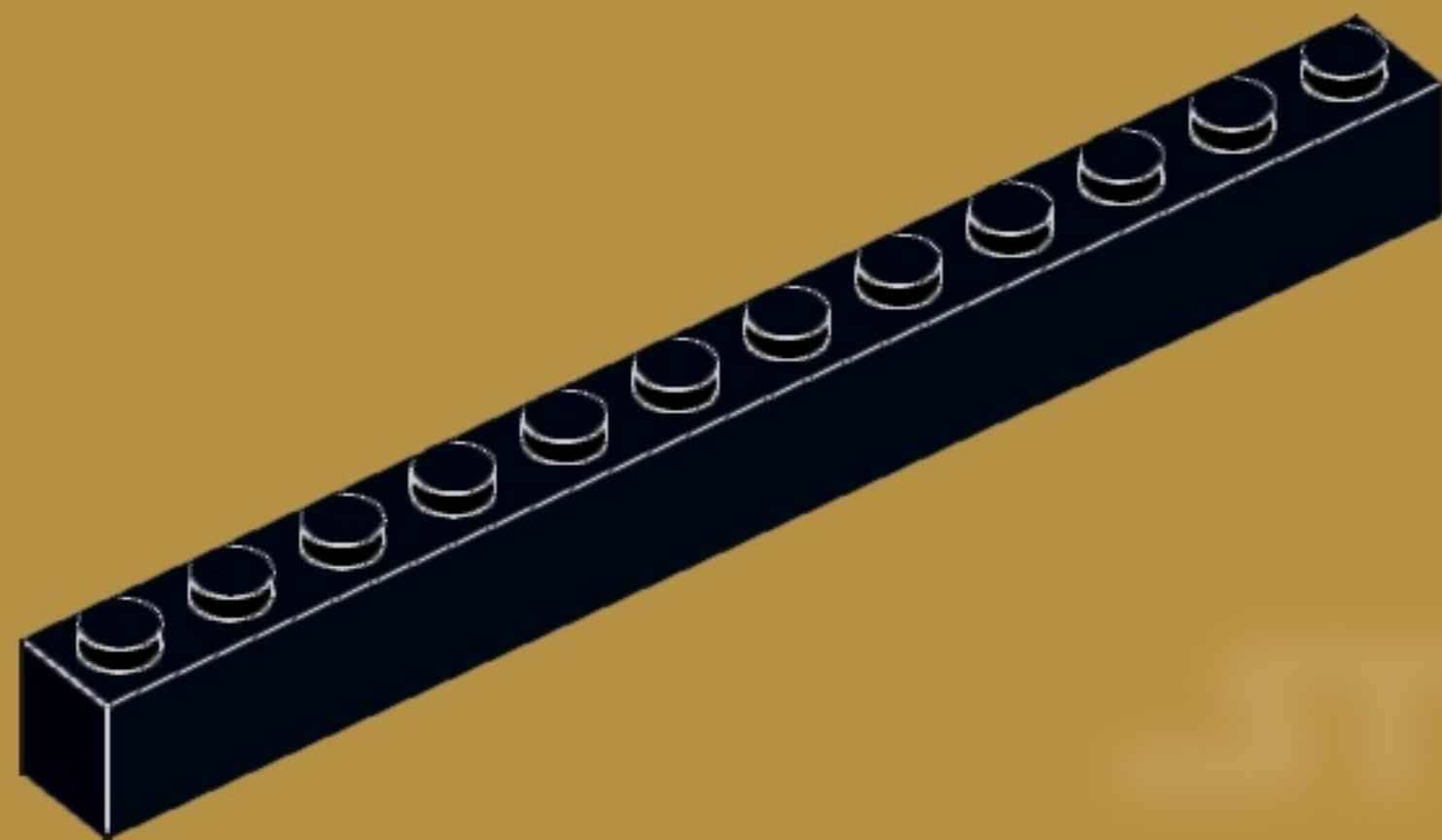
4x
6133722



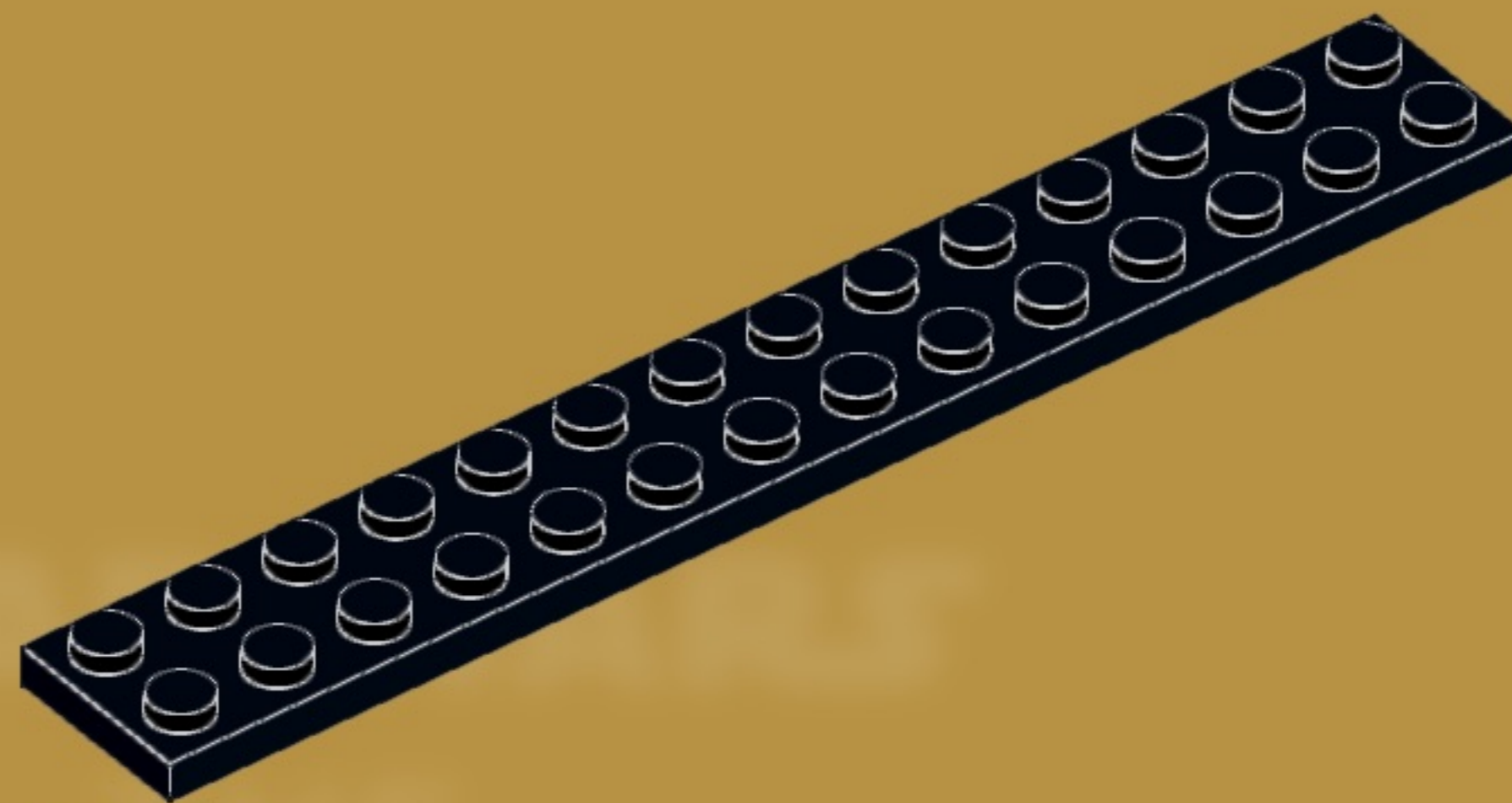
1x
383226



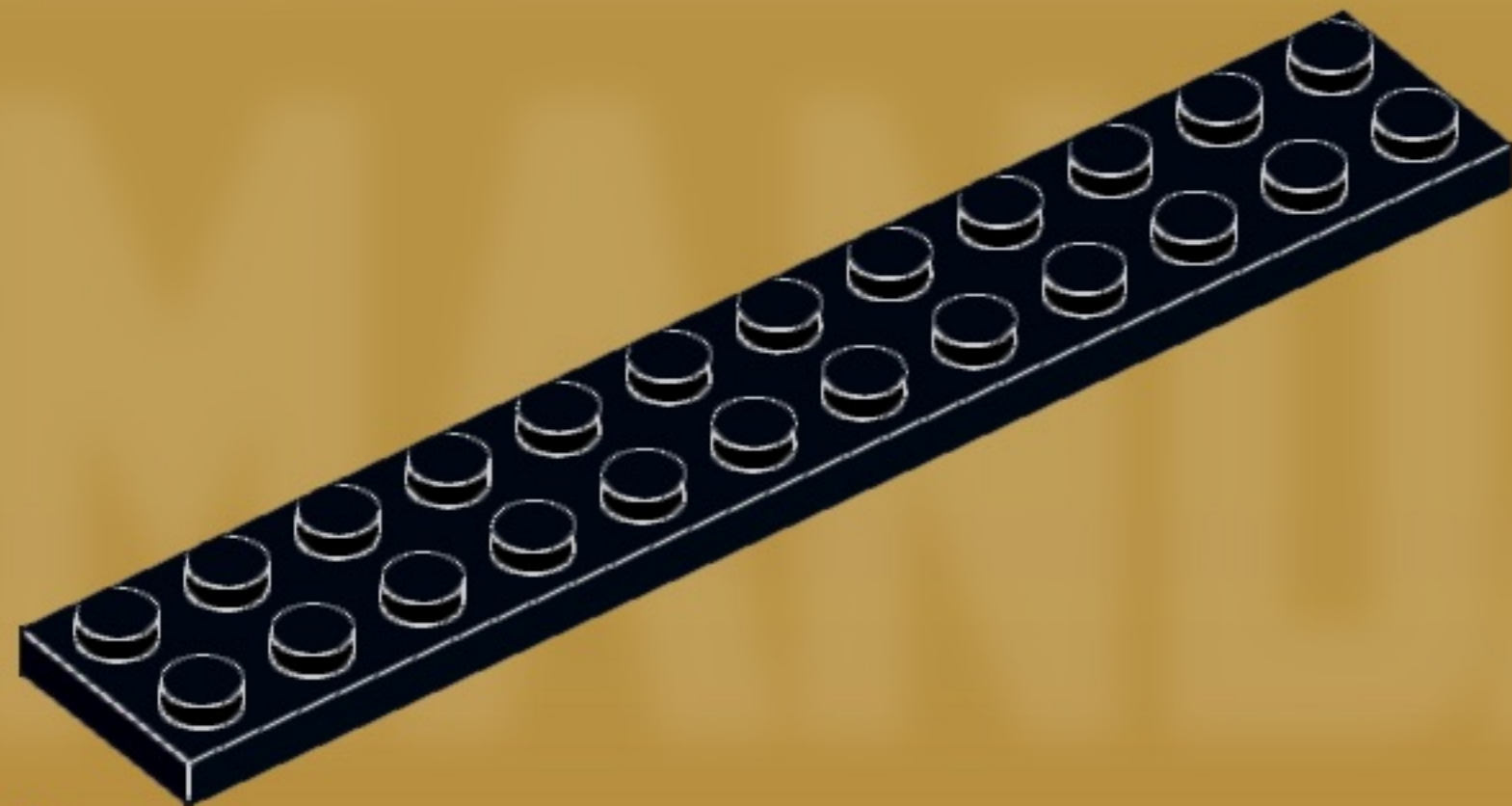
1x
4124096



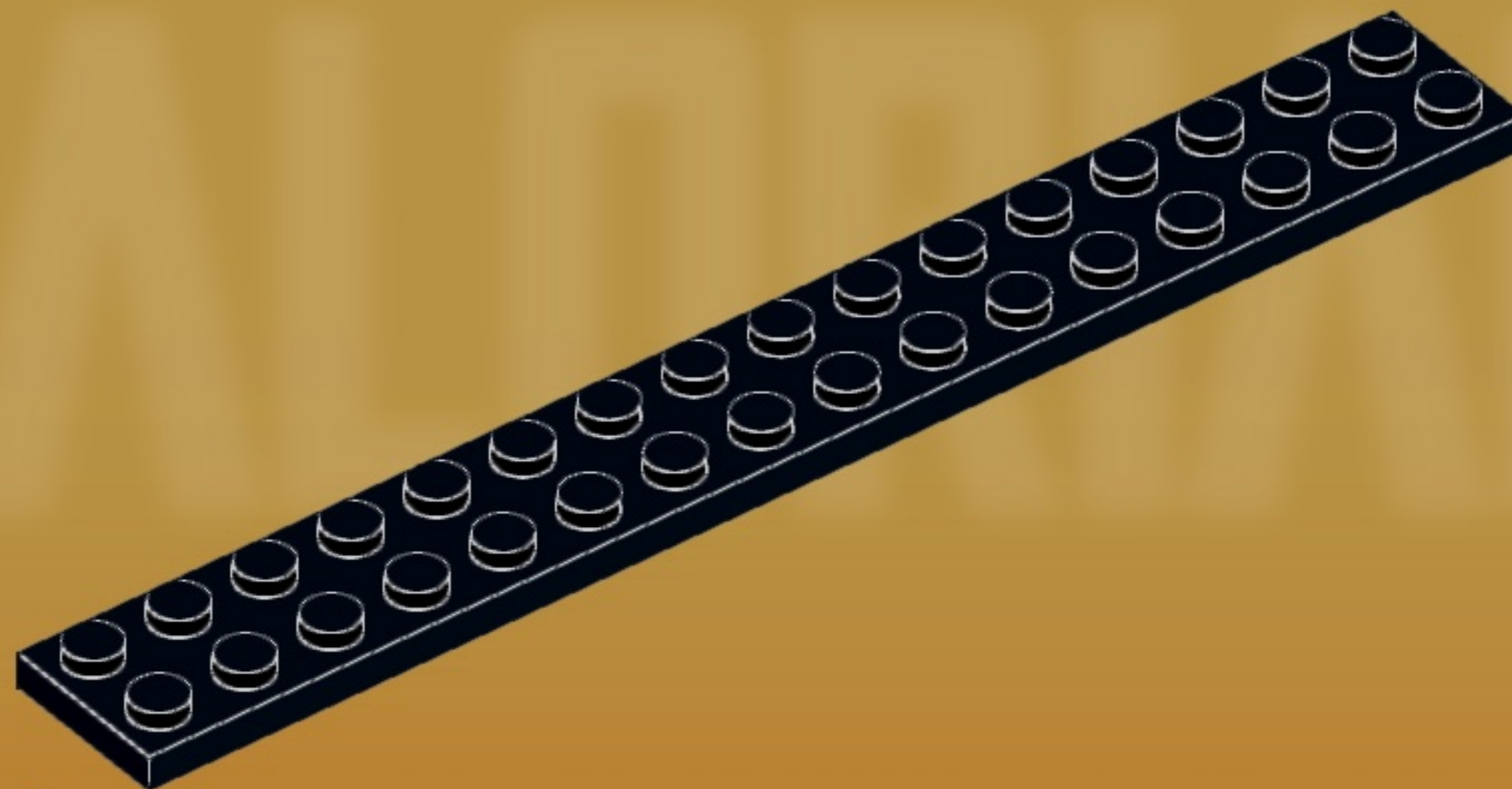
8x
611226



6x
6001494



2x
244526



3x
428226



7x
6199549



1x
6284596



3x
6231765



37x
4210719



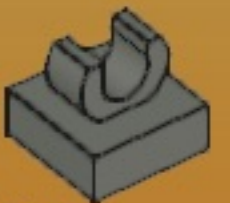
1x
4210633



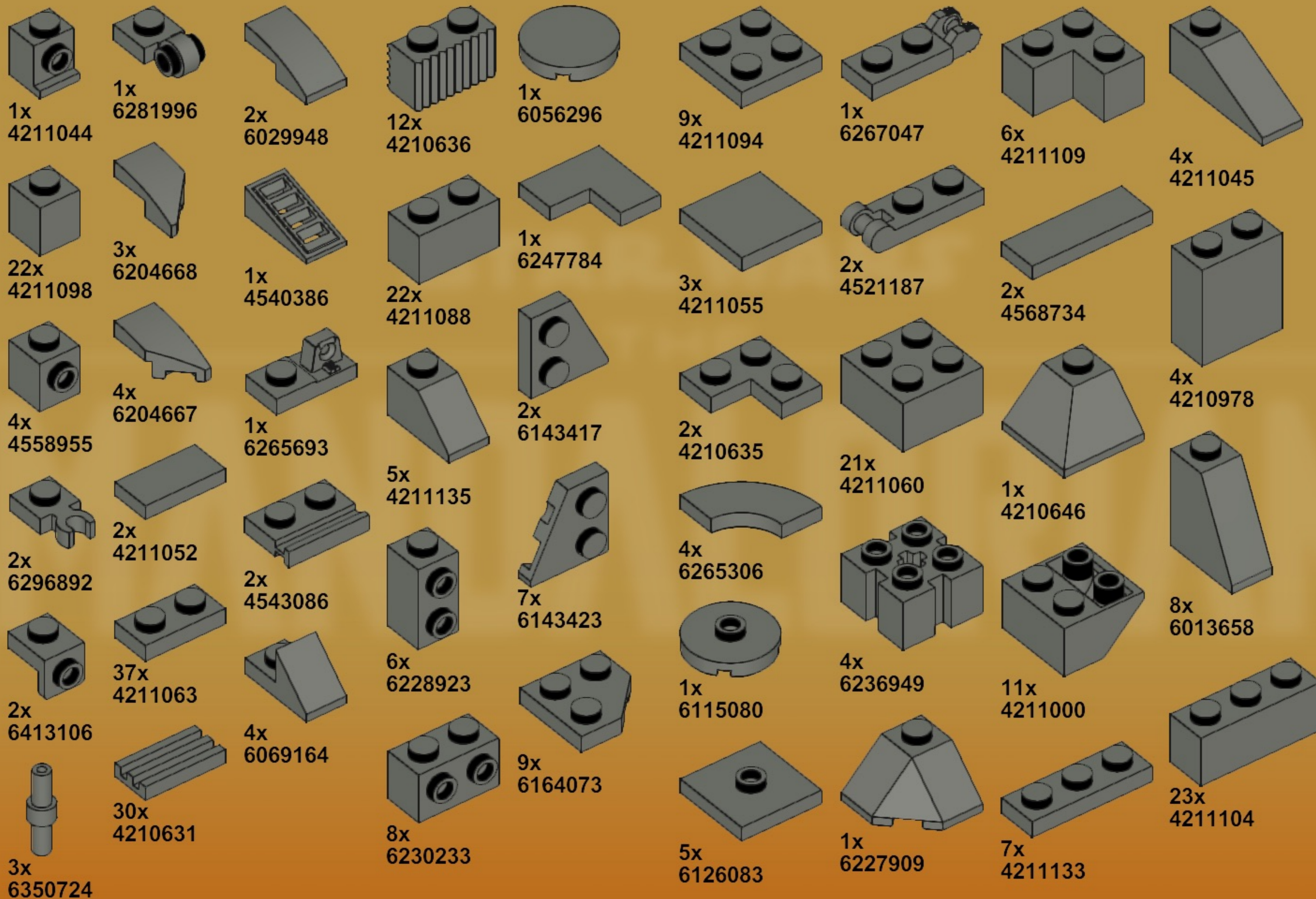
12x
4504378



1x
6271752

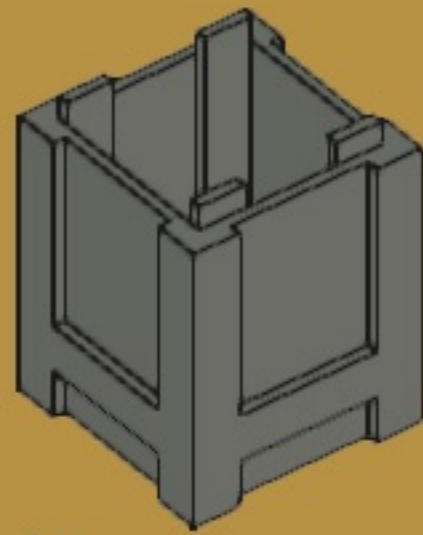


2x
6344022

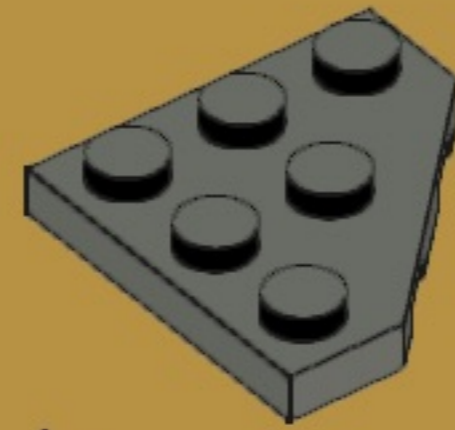




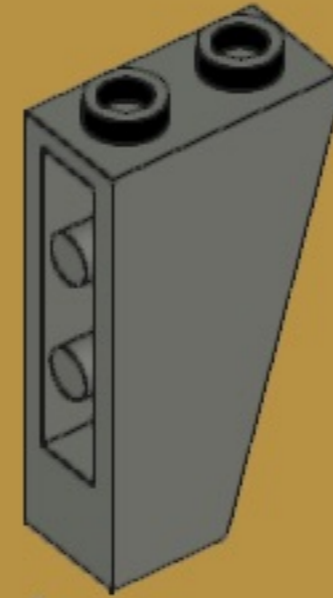
1x
6278986



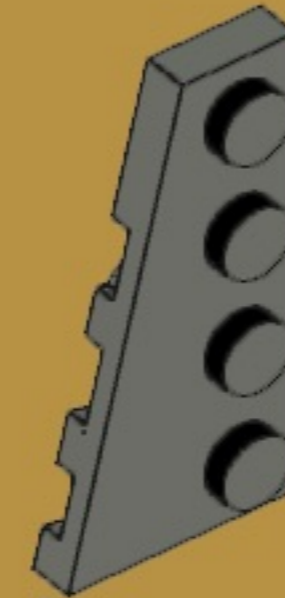
1x
4520307



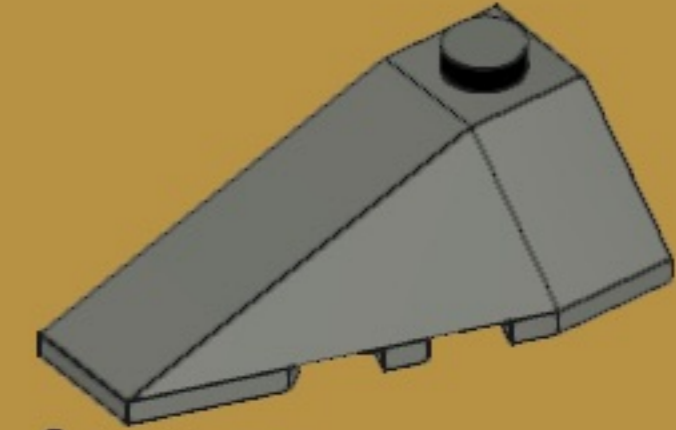
1x
4210897



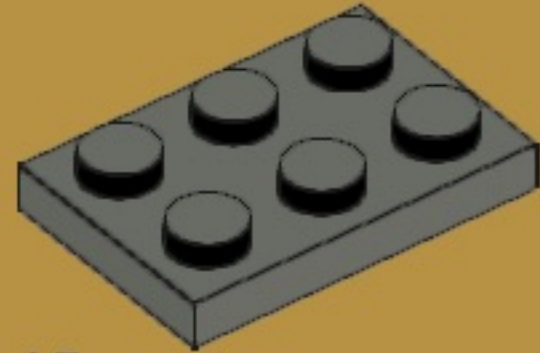
6x
4500975



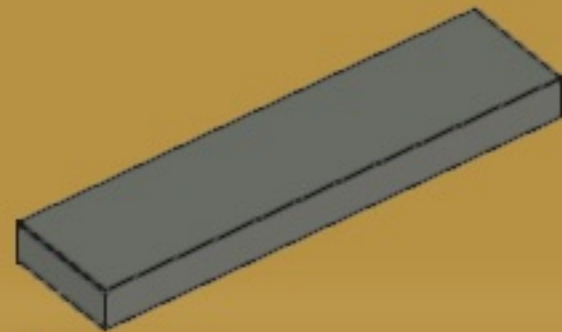
3x
4210788



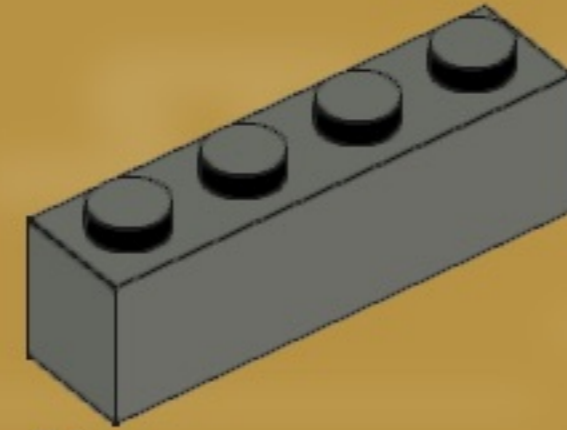
2x
4210866



15x
4211043



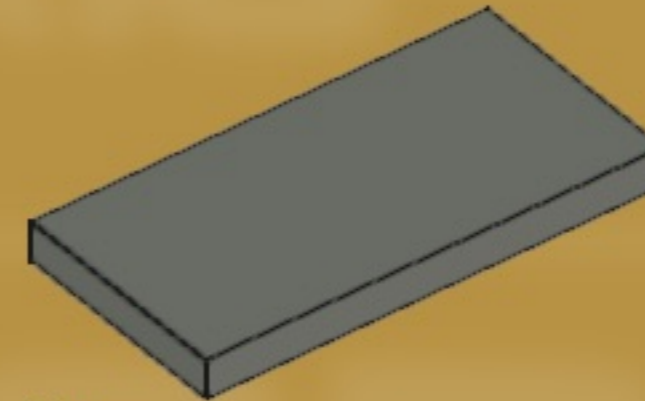
4x
4211053



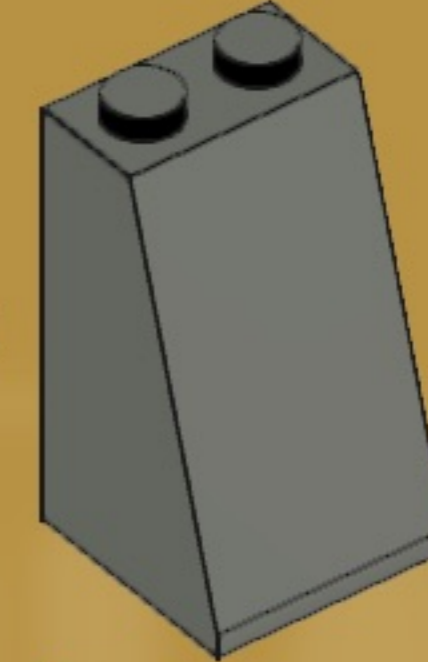
50x
4211103



4x
4527082



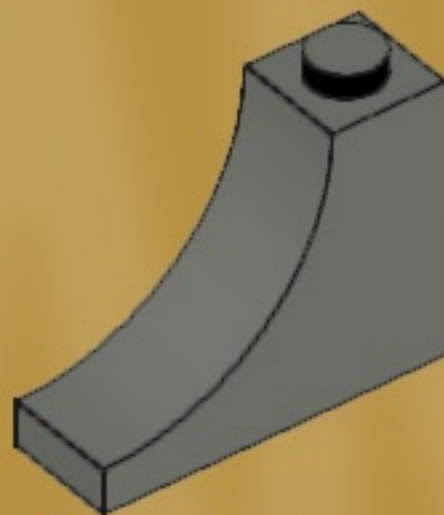
7x
4560184



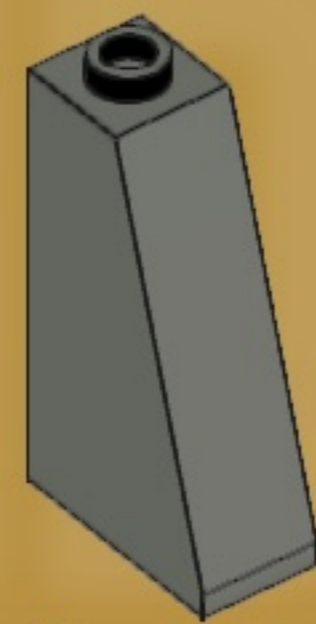
7x
6000853



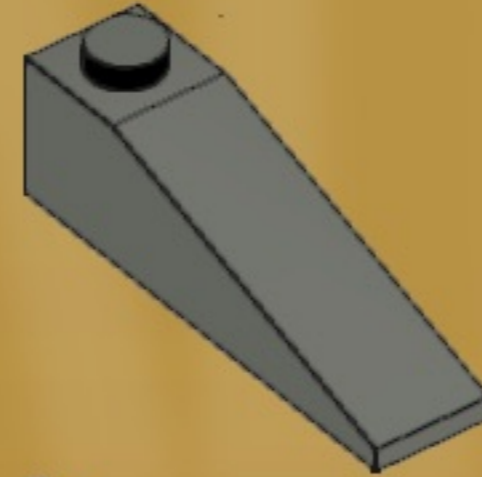
1x
4210872



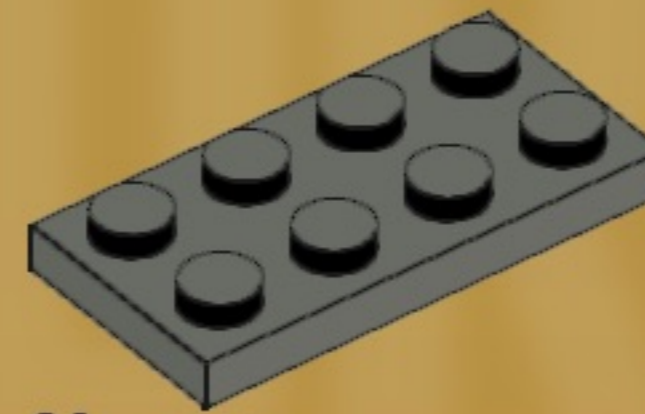
2x
6172811



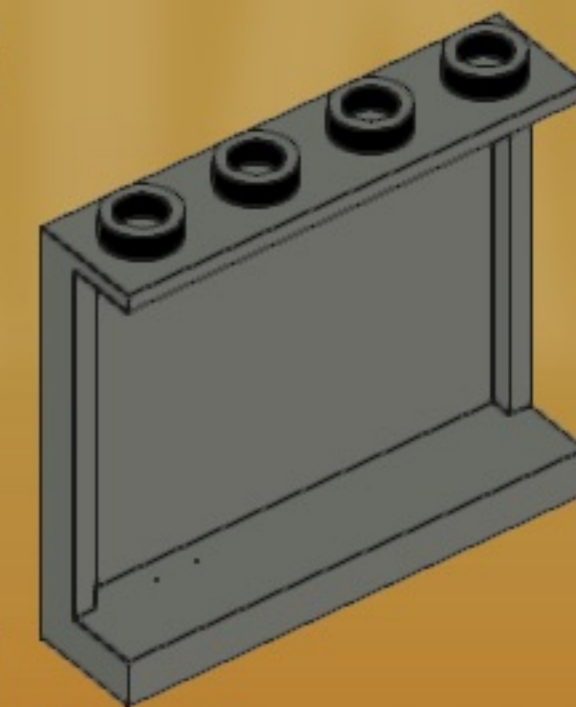
5x
4221745



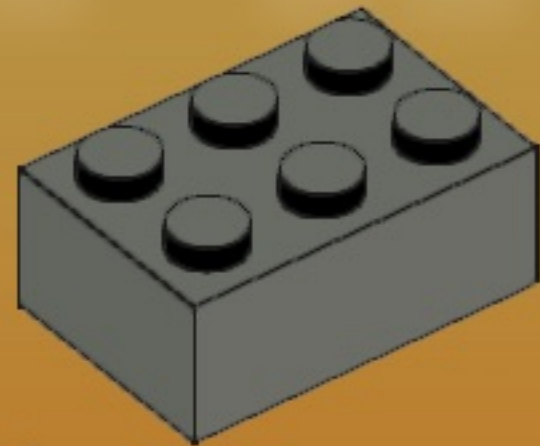
5x
4535930



20x
4211065



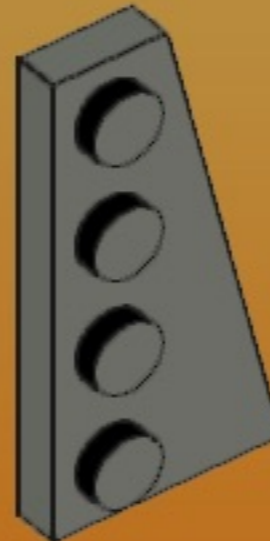
2x
6008715



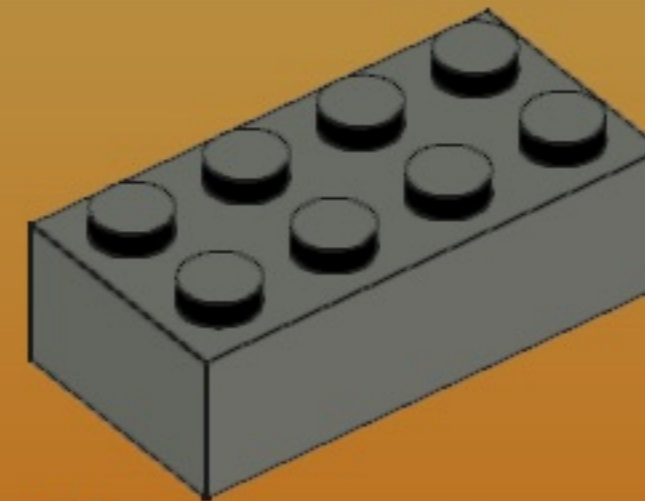
1x
4211105



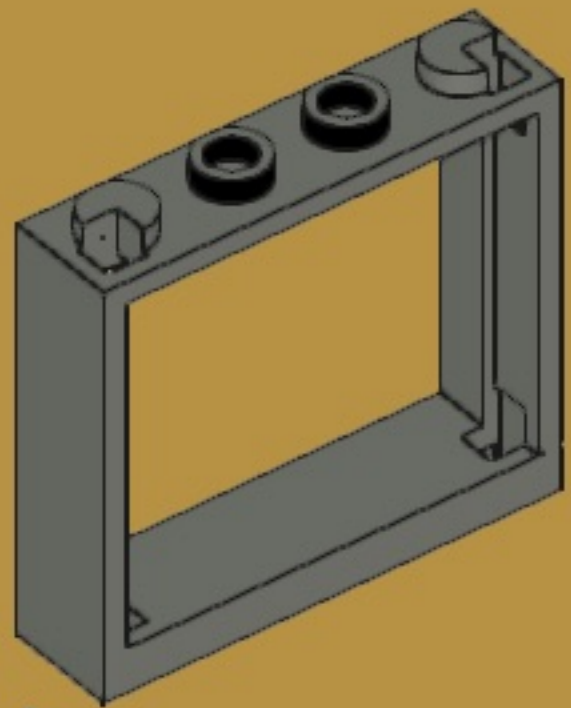
31x
4211001



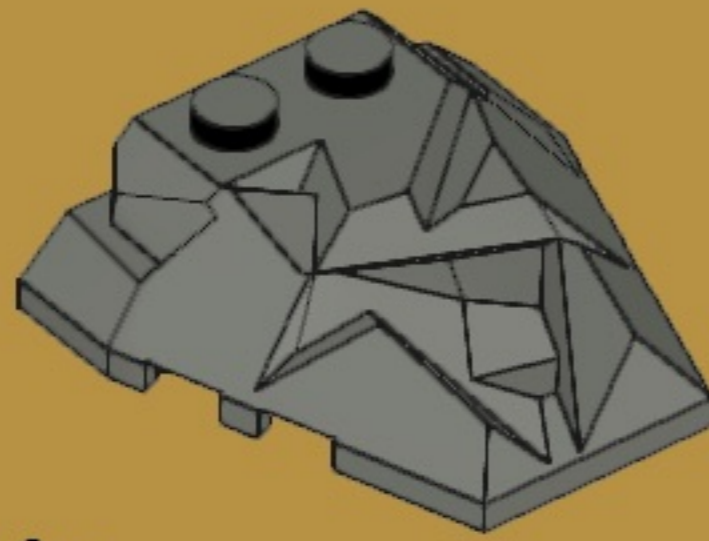
2x
4210782



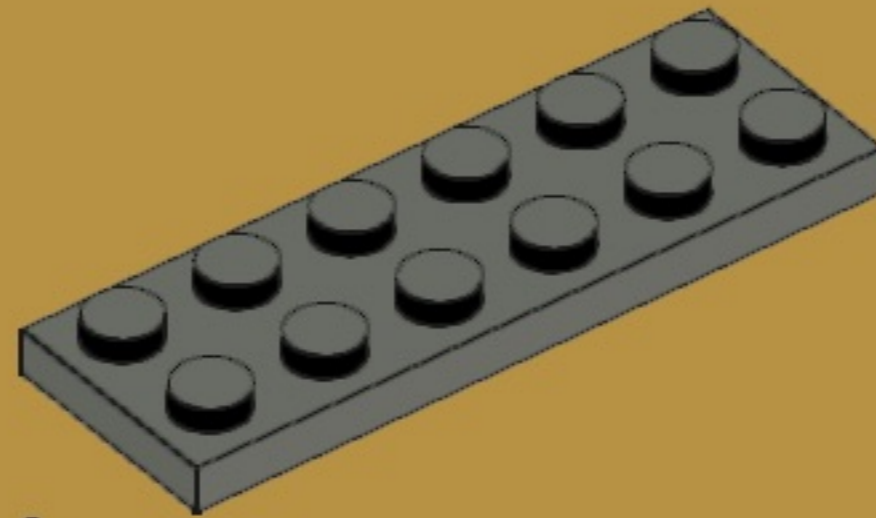
12x
4211085



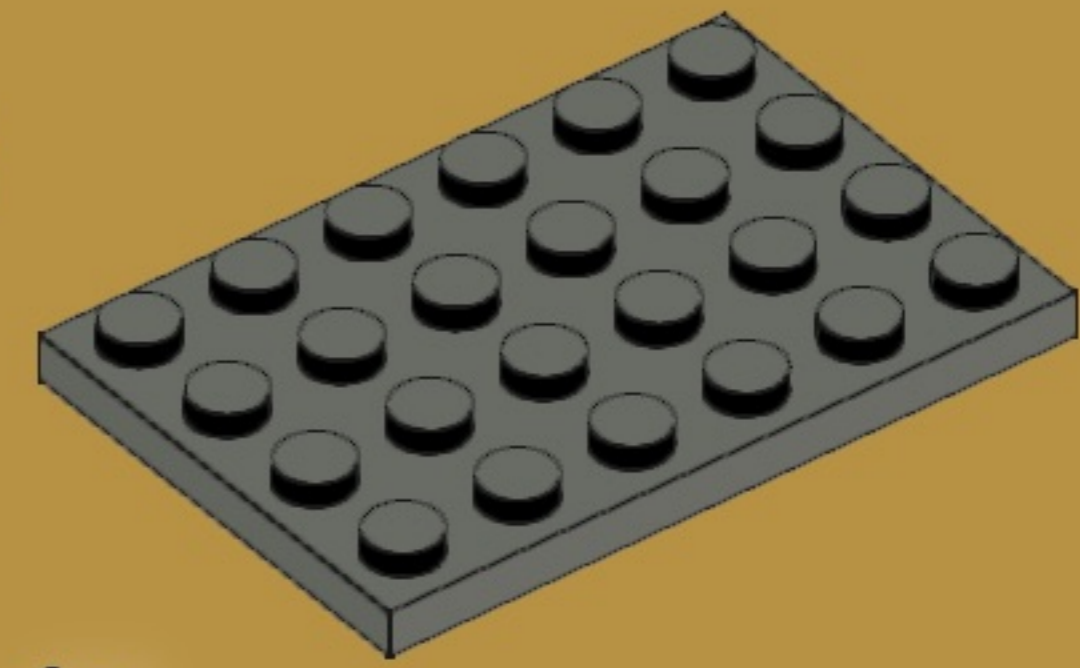
8x
4551044



6x
6172134



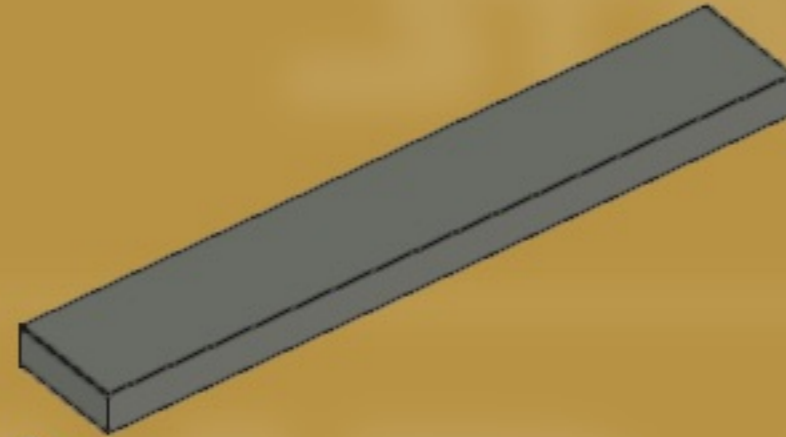
9x
4211002



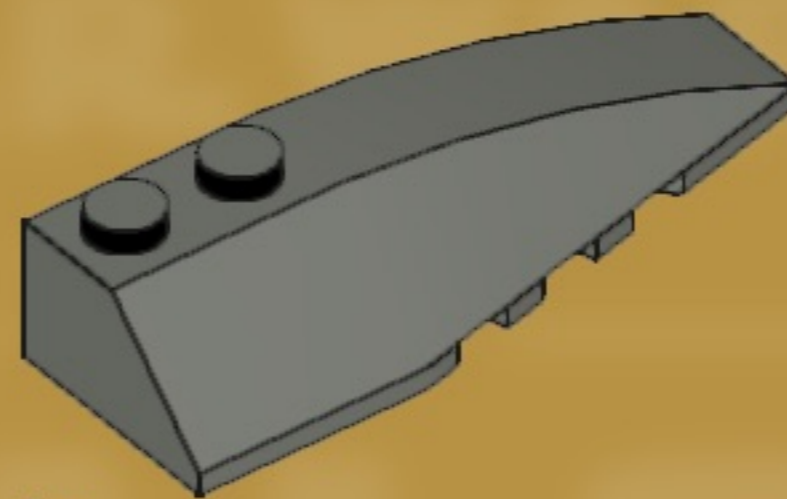
3x
4211115



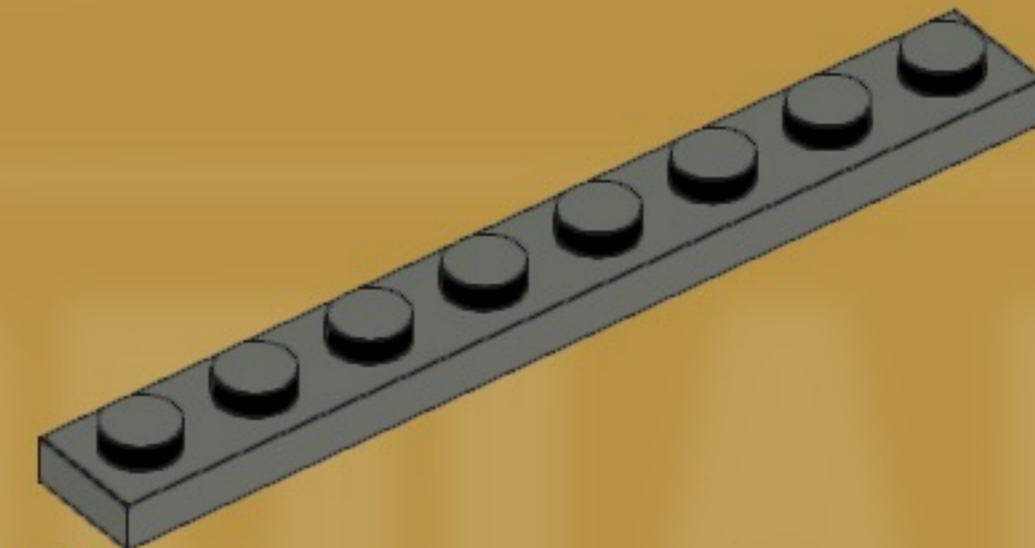
2x
4528323



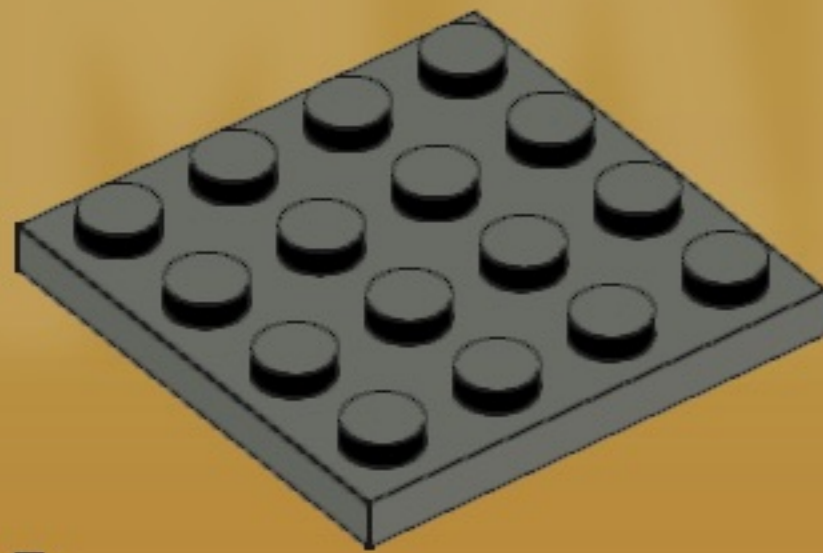
2x
4210651



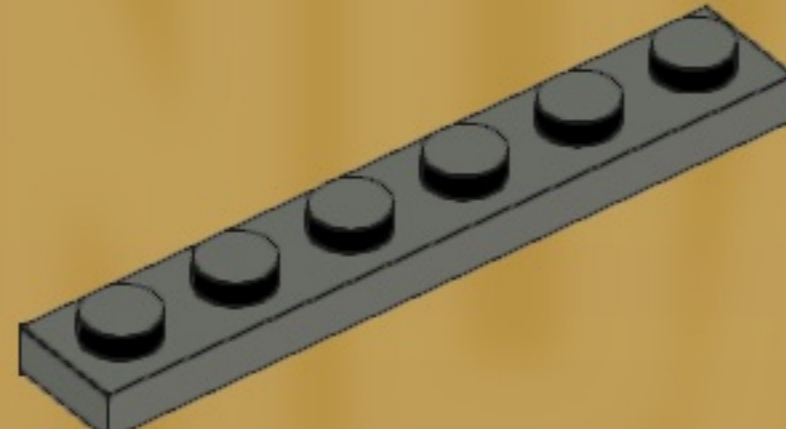
2x
6063685



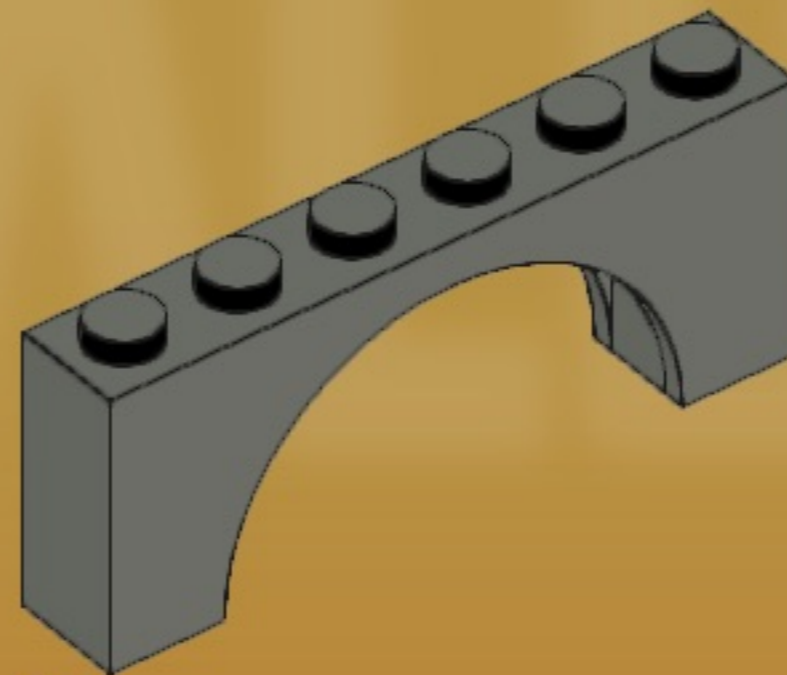
13x
4210998



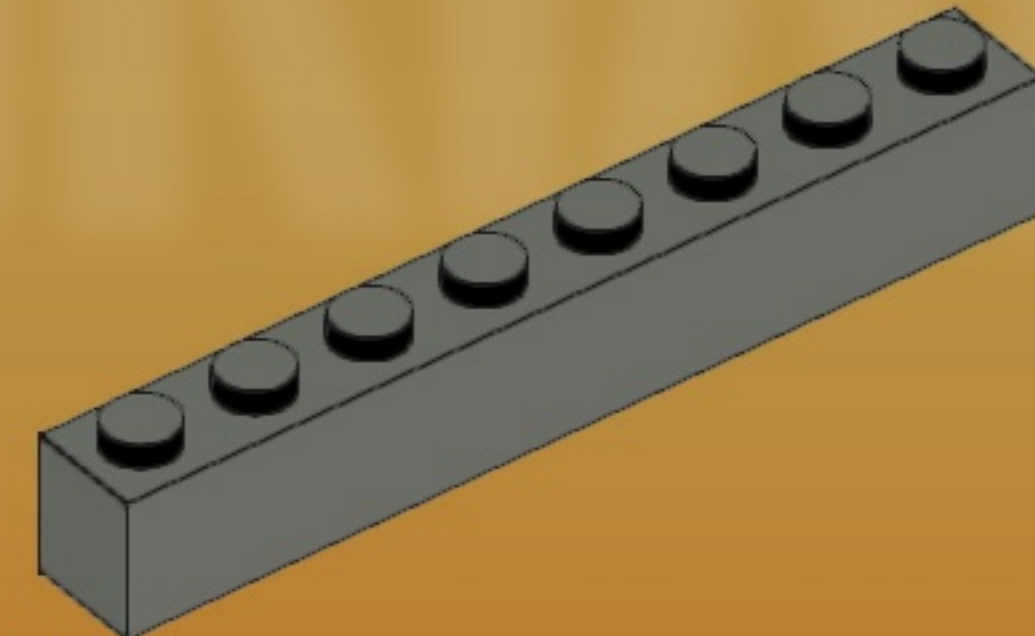
7x
4243831



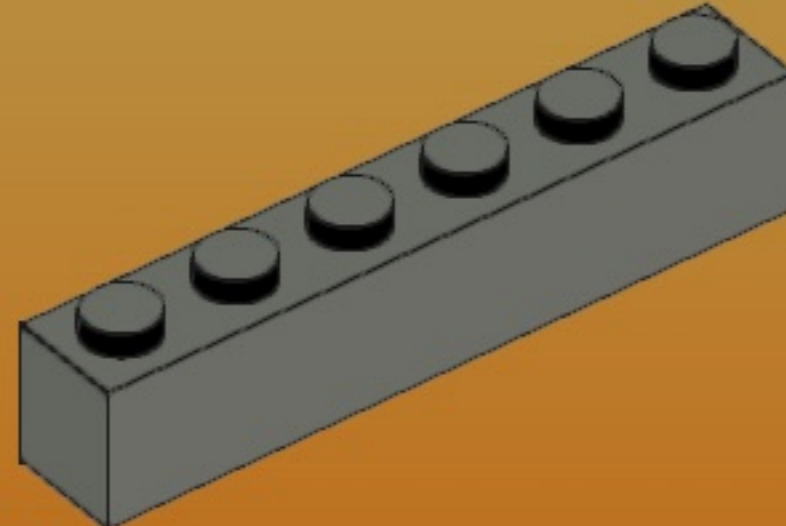
7x
4211056



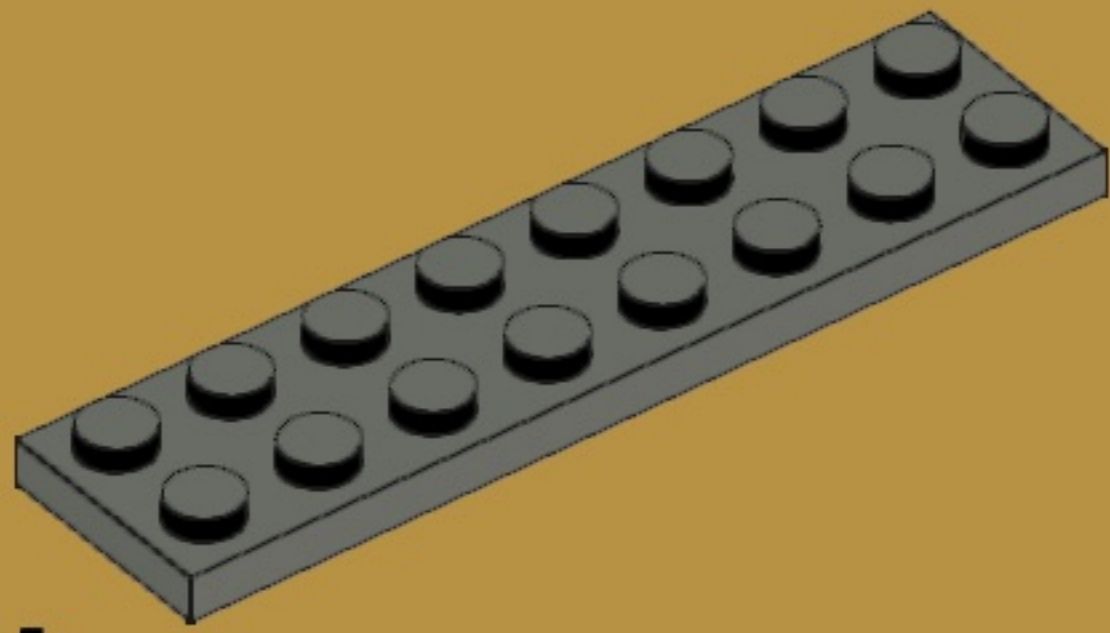
1x
6106191



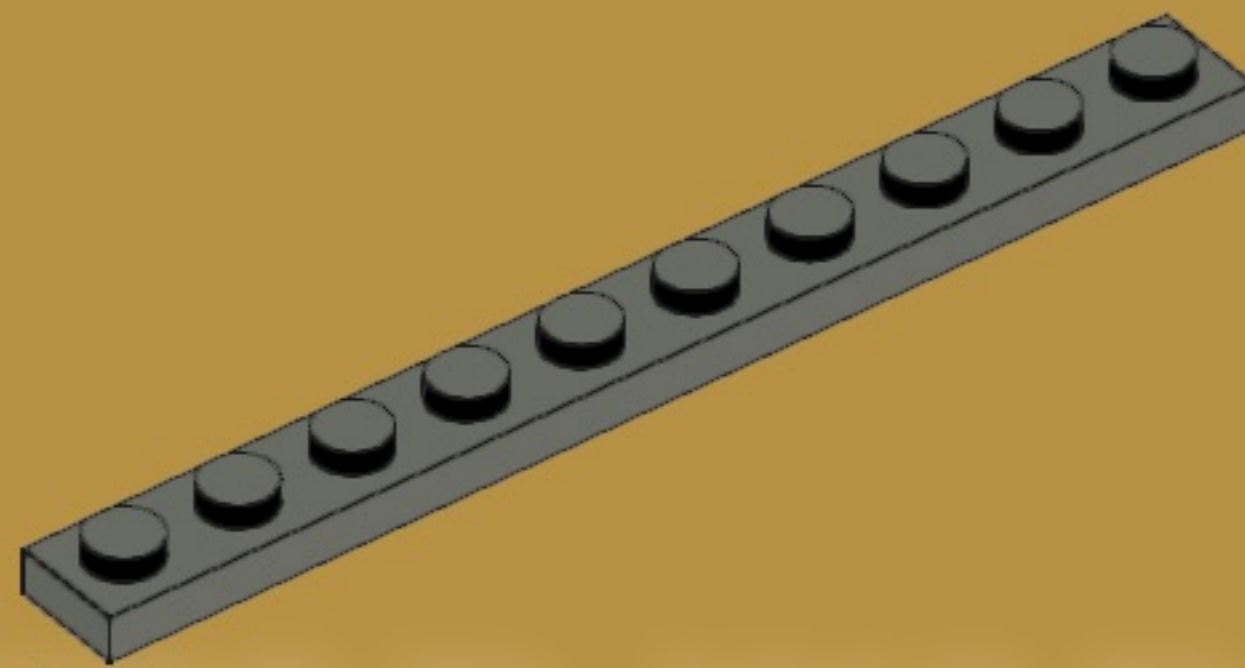
12x
4211099



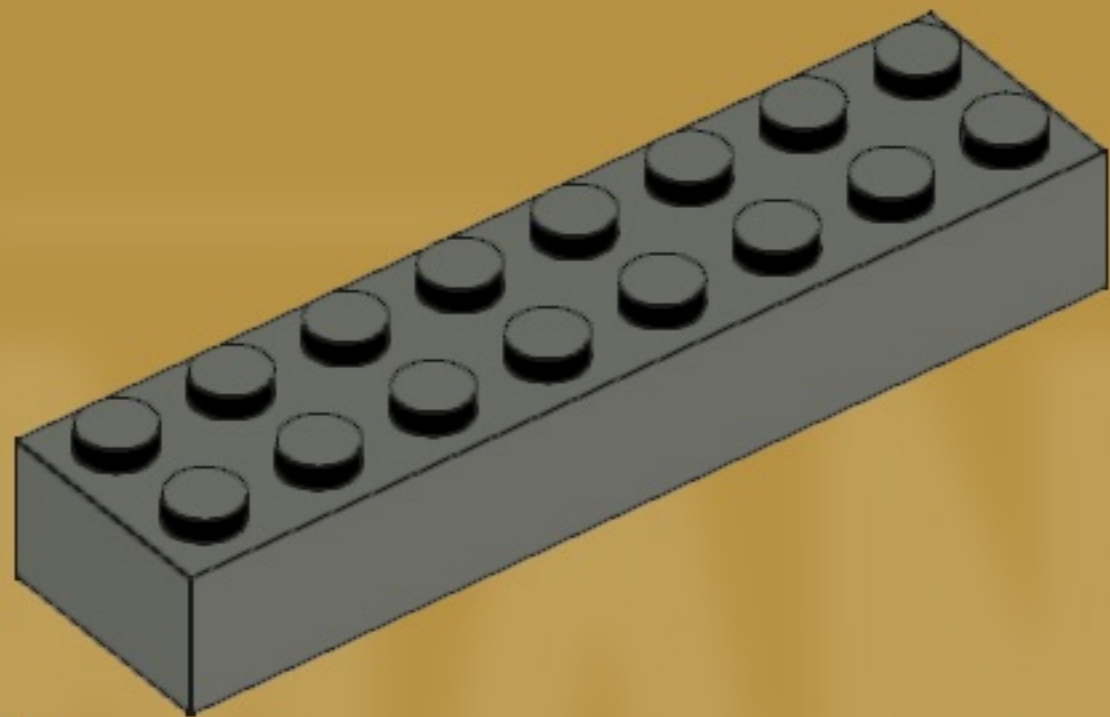
21x
4211100



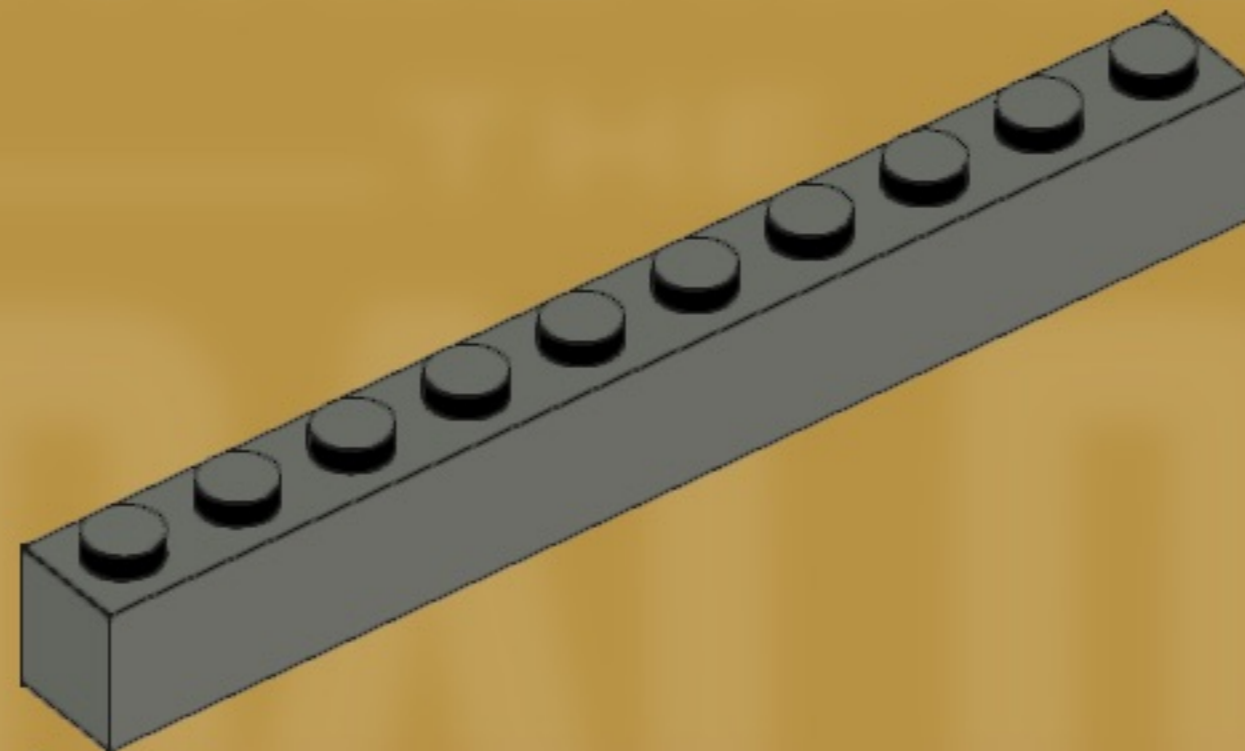
5x
4210997



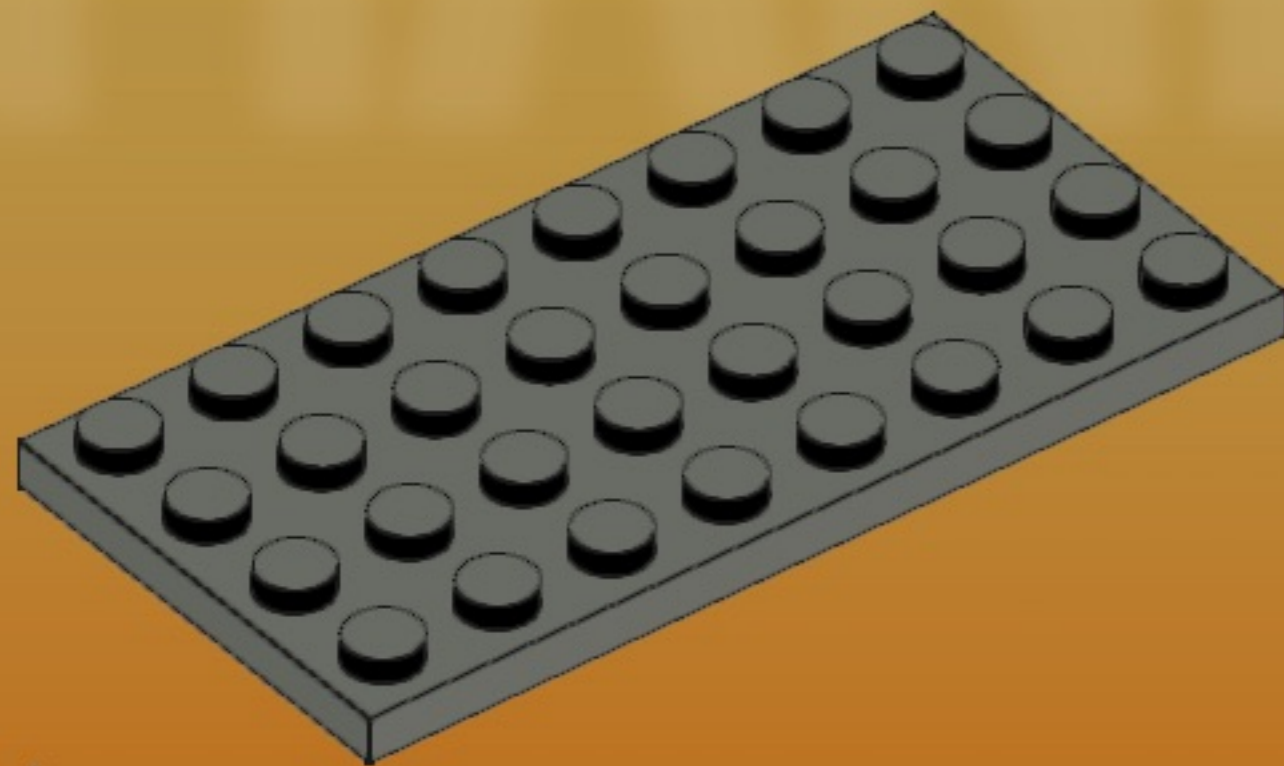
2x
4257526



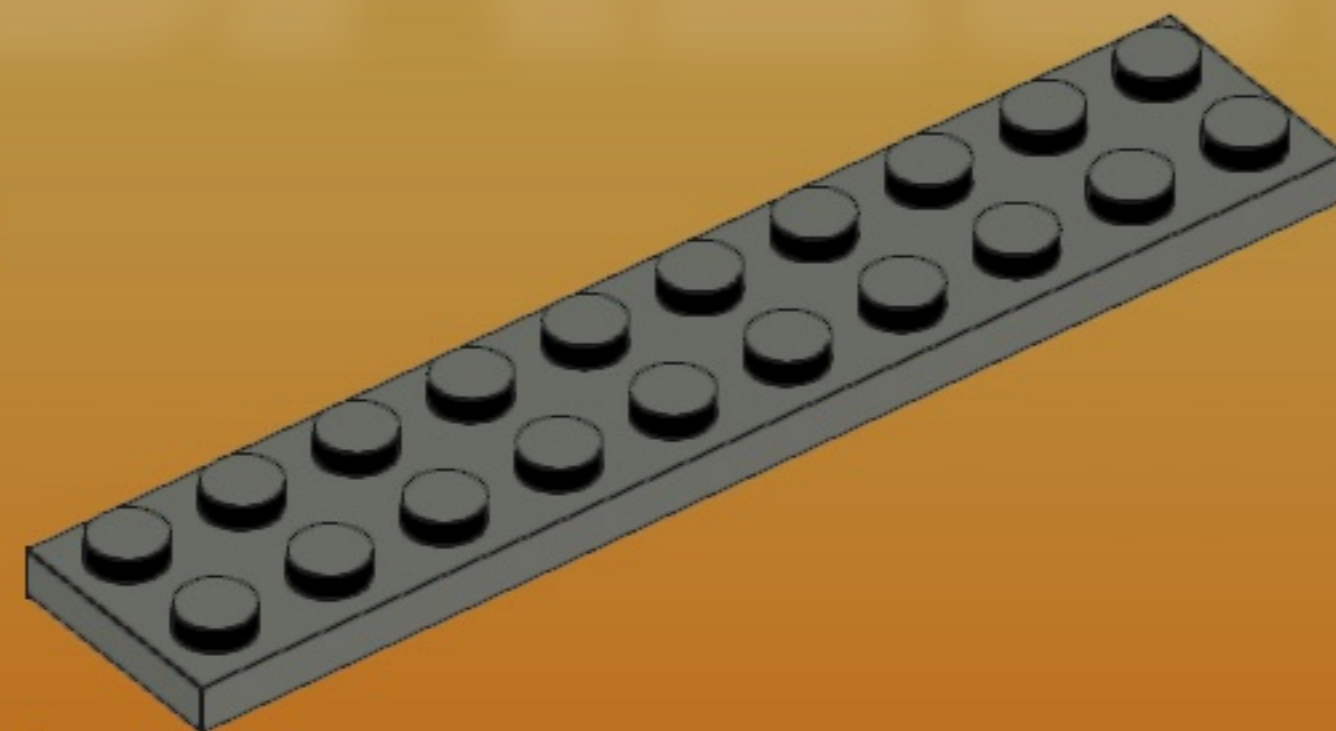
1x
6187438



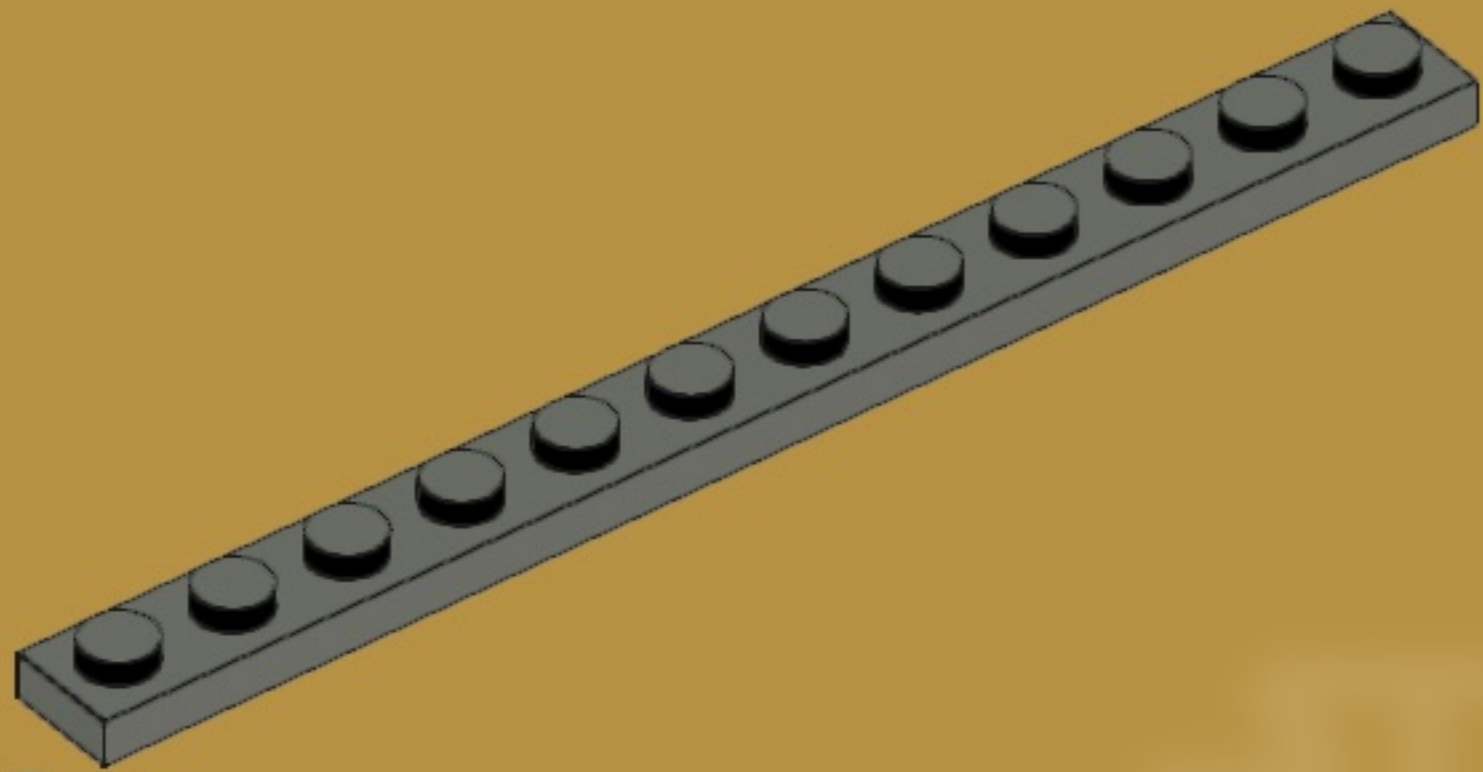
3x
4211107



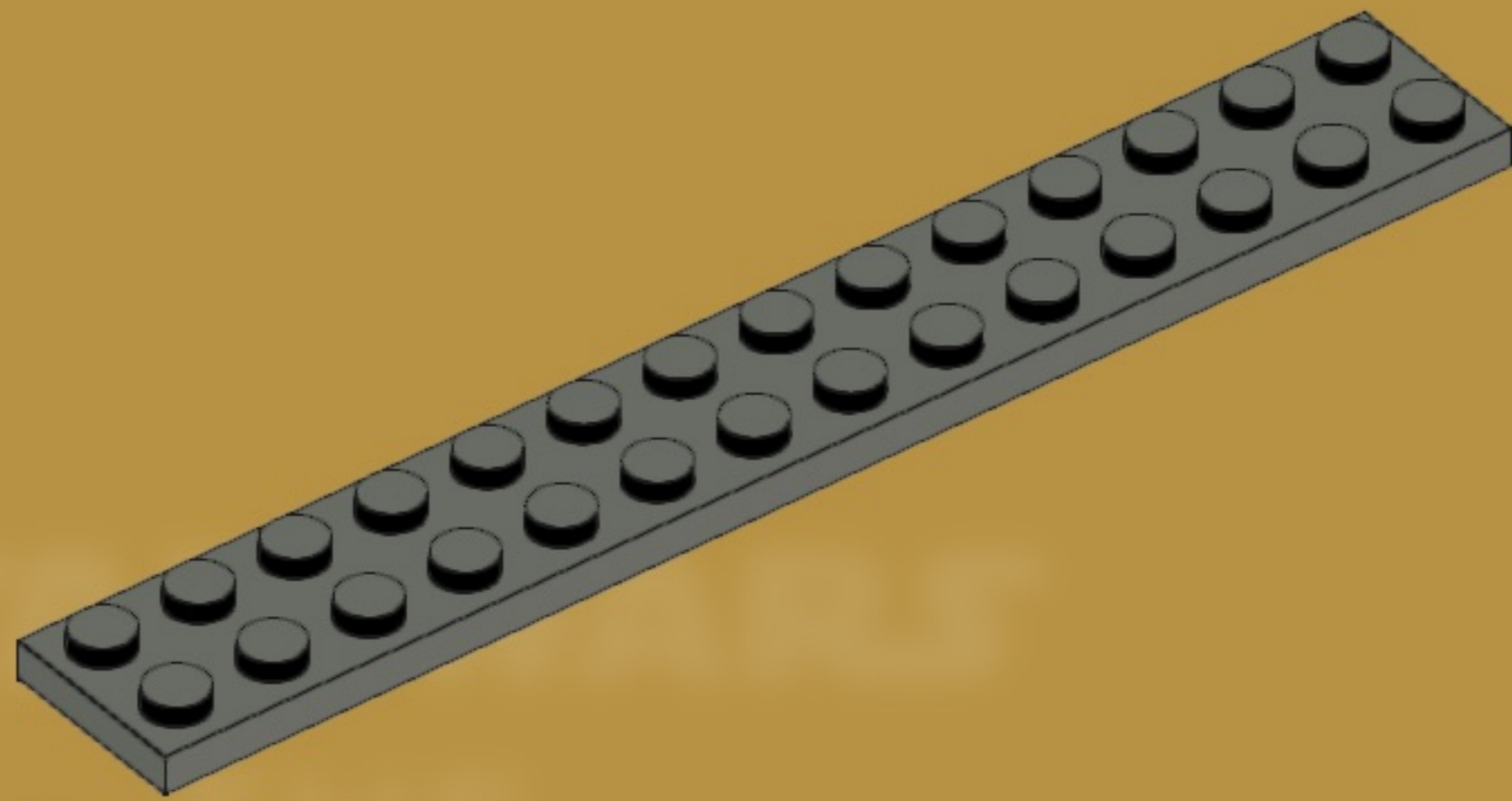
4x
4211061



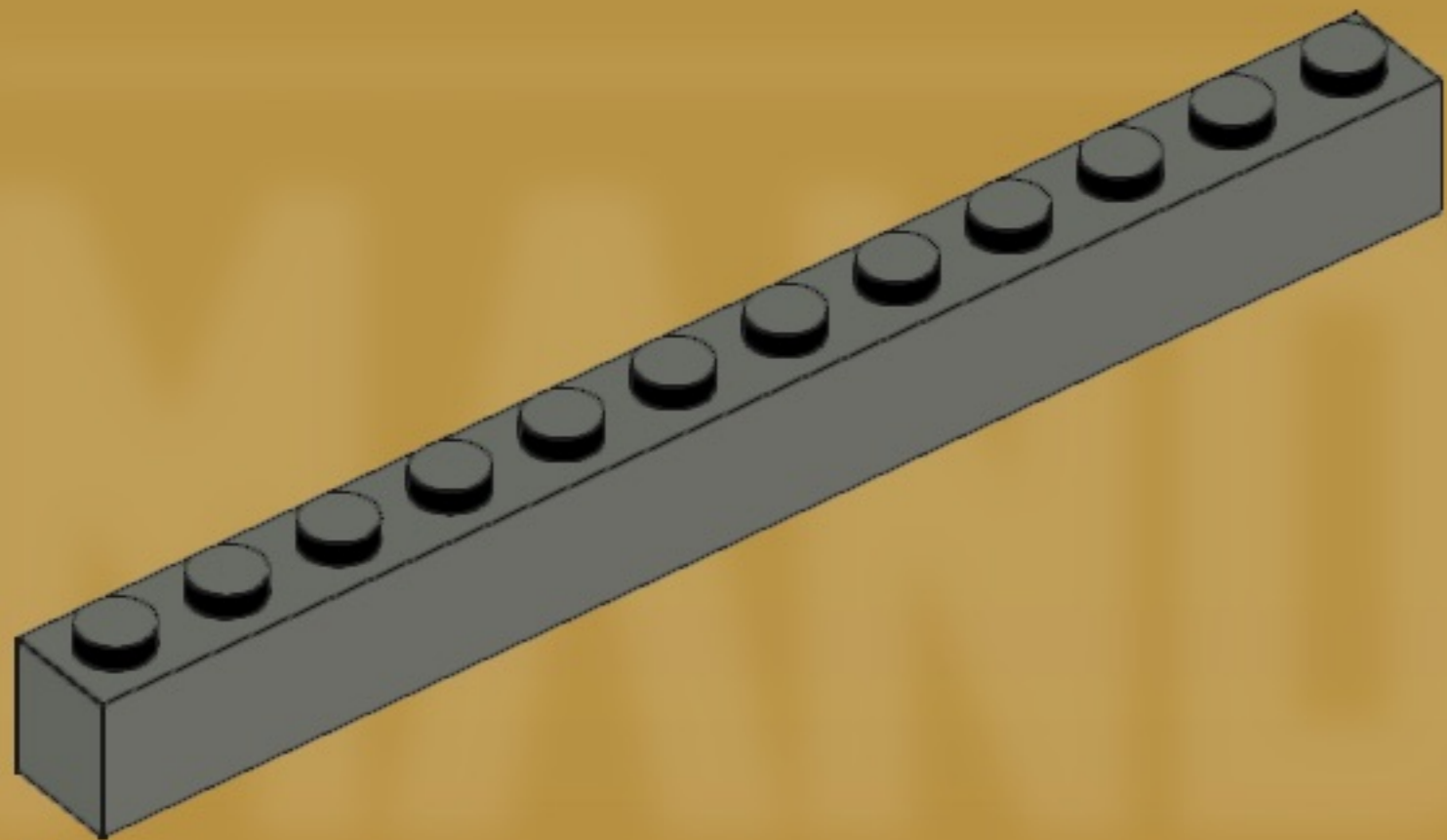
3x
4210678



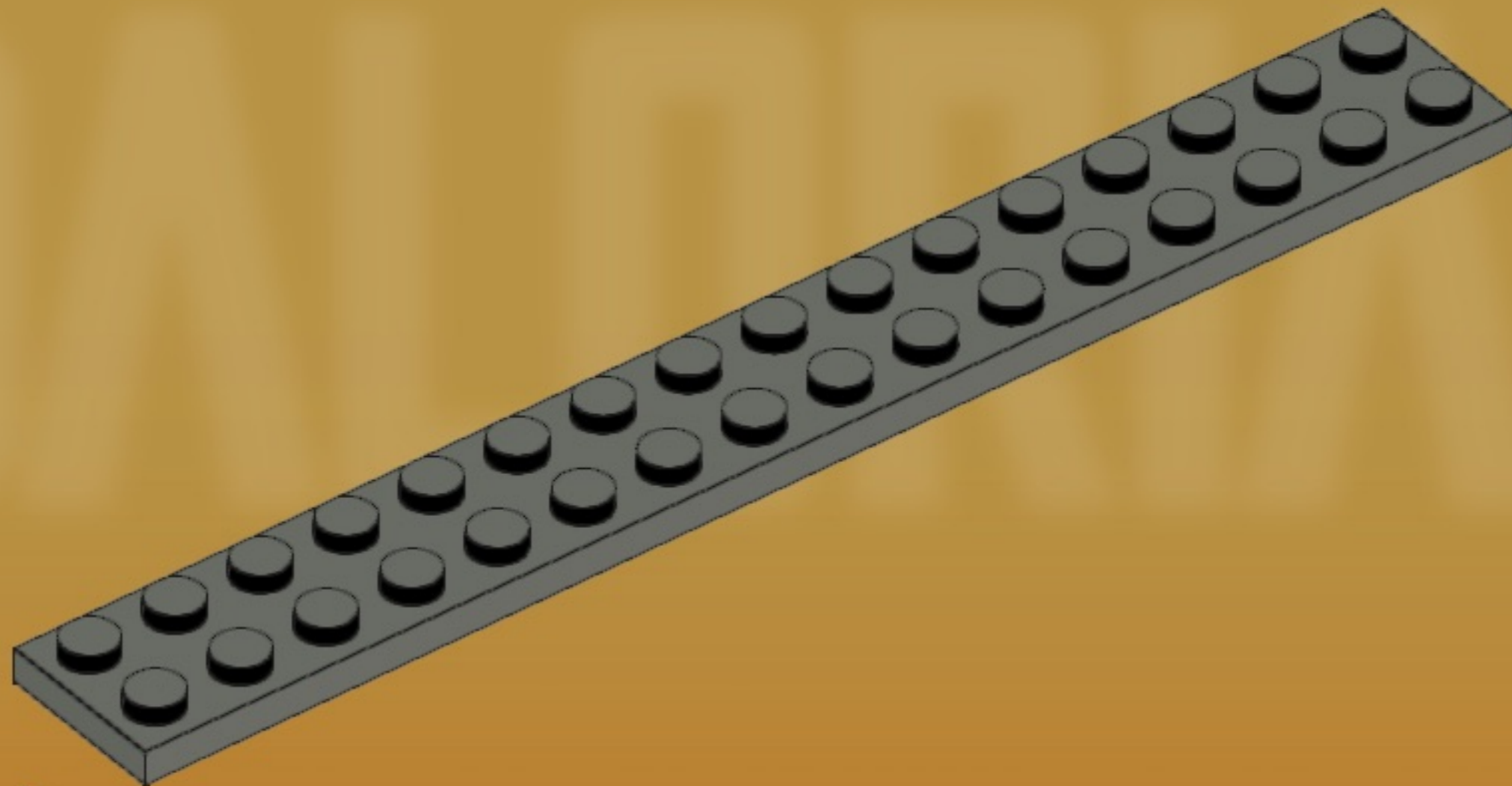
7x
6133611



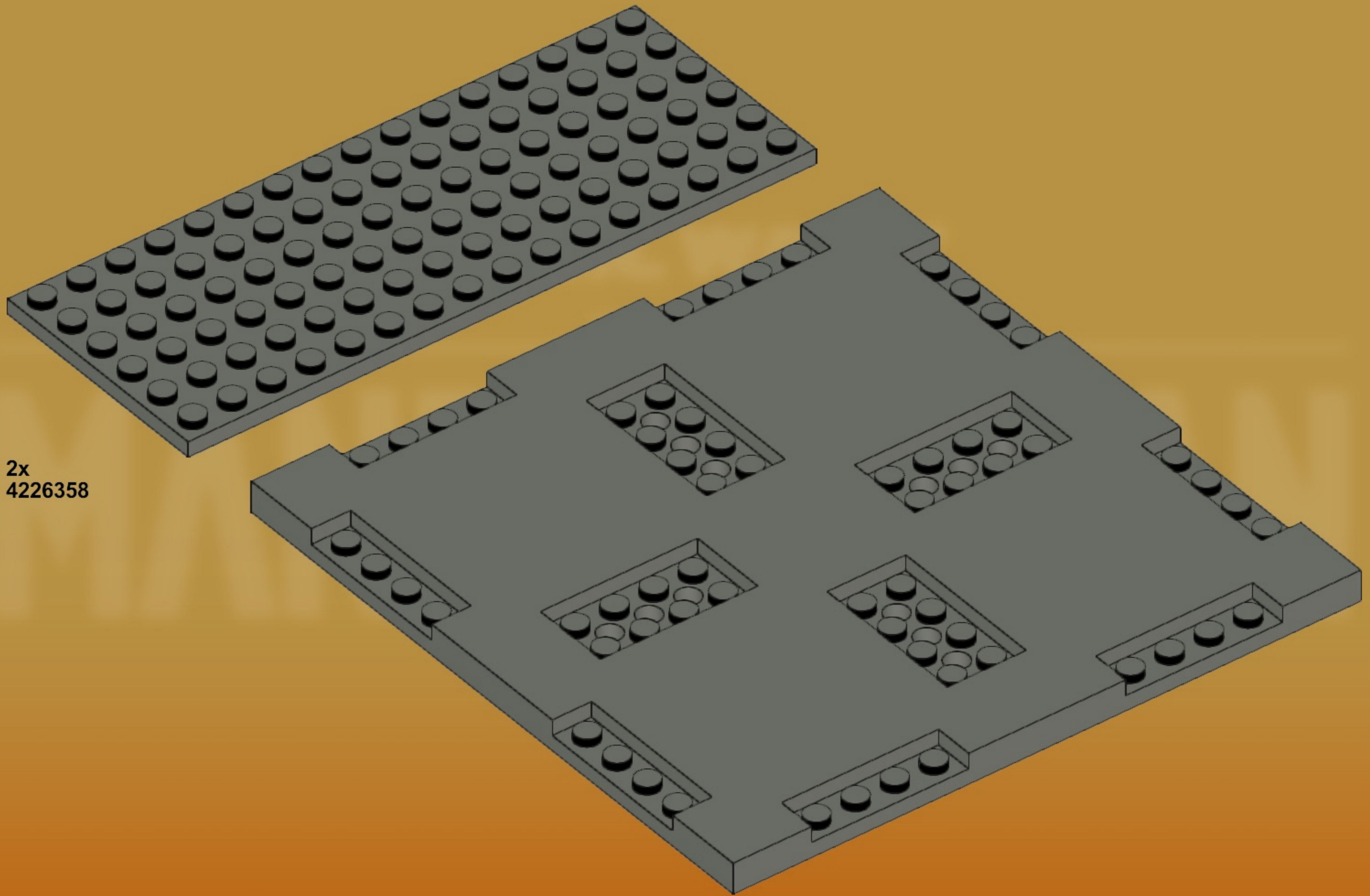
1x
6000970



2x
4210798

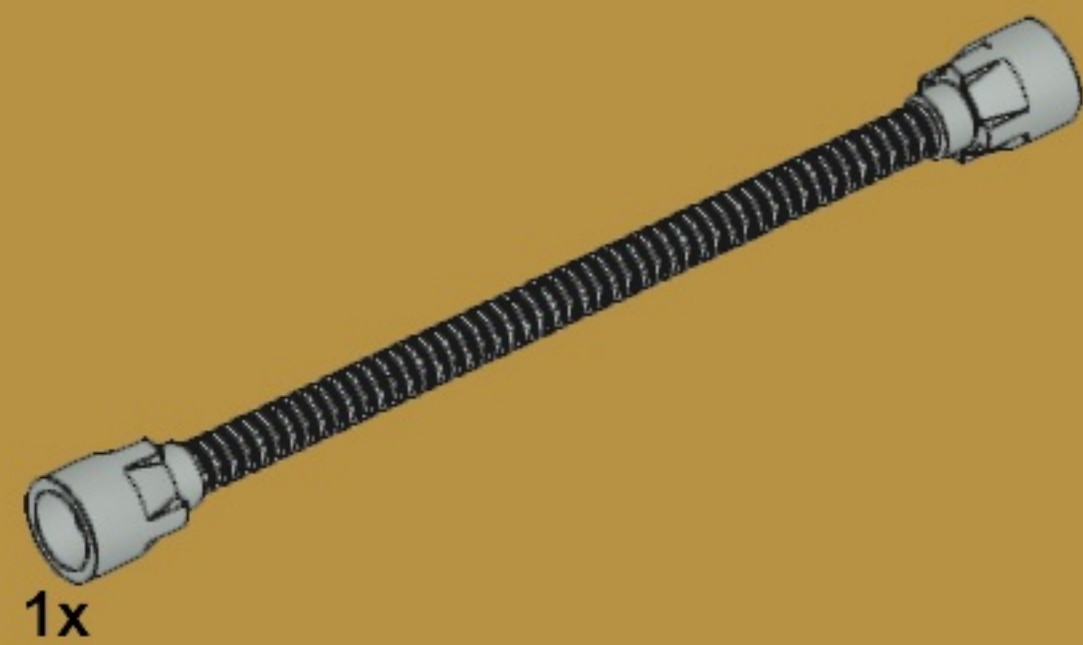


1x
4210796



2x
4226358

2x
6325635



1x



11x
6168647



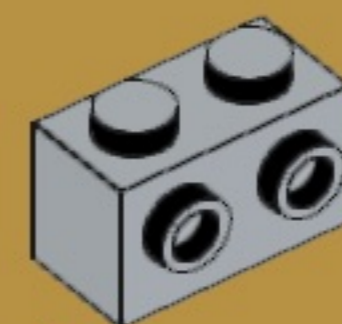
2x
4211412



2x
6248890



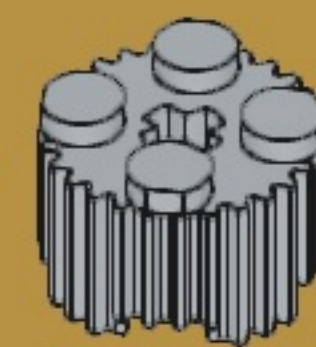
1x
6345426



2x
6015344



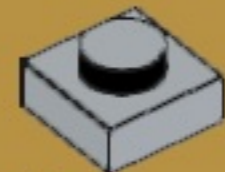
2x
4211881



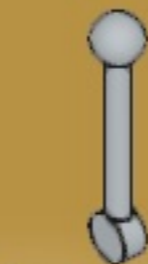
1x
4650645



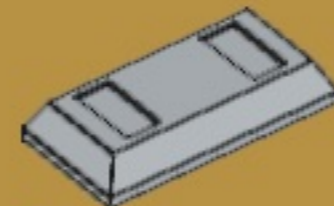
1x



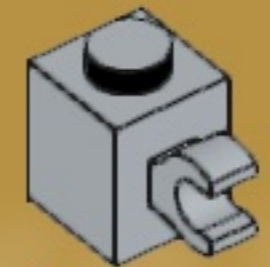
4x
4211399



1x



5x
6134378



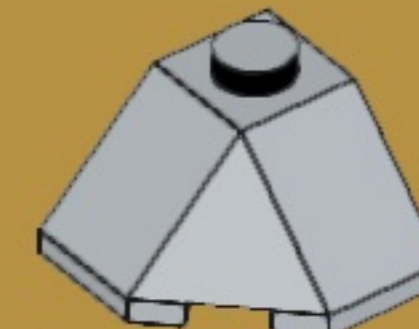
1x
6320306



4x
6225242



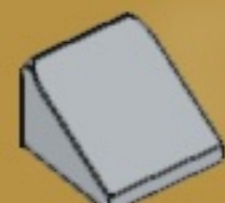
4x
6151349



2x
6034676



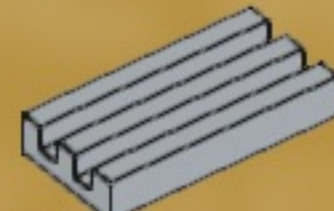
5x
6250597



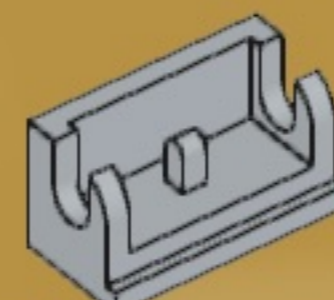
5x
4521921



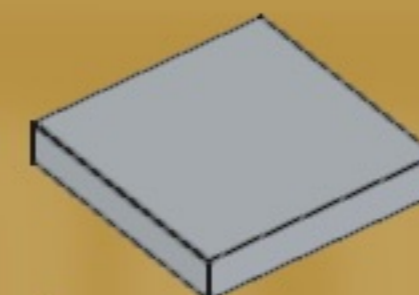
1x
6225246



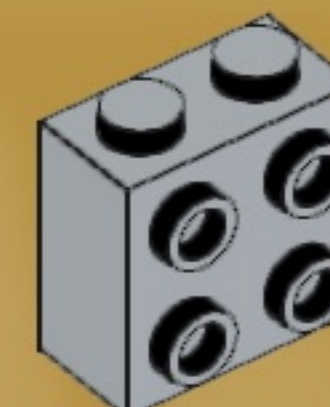
20x
4211350



2x
4211469



1x
6093527



26x
6123809



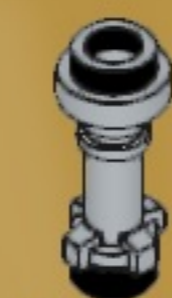
2x
6329583



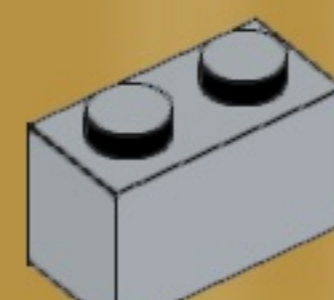
2x
6258831



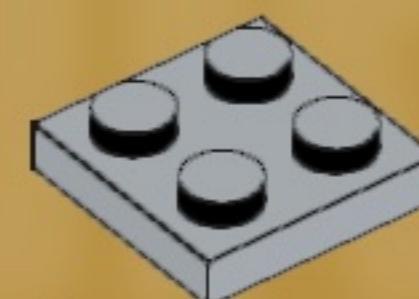
1x
6278156



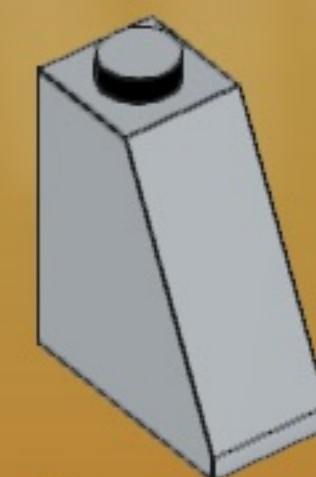
4x
4539481



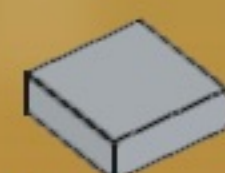
2x
4211413



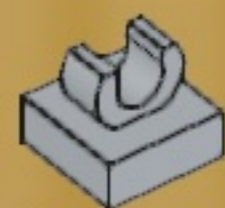
1x
6044729



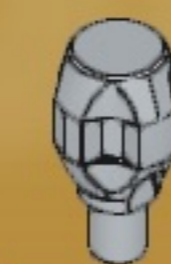
4x
4515374



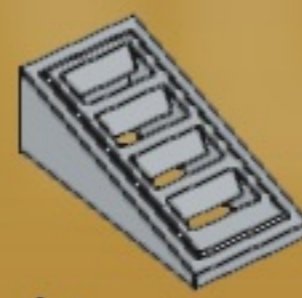
1x
4211415



1x
6308012



1x



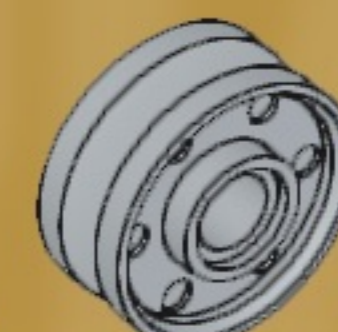
4x
6092111



4x
4211388



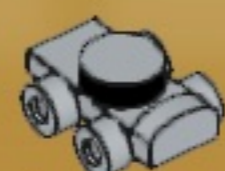
4x
4211397



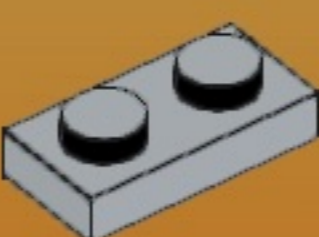
1x
6028324



2x
4211525



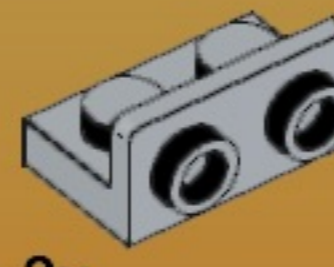
2x
6217791



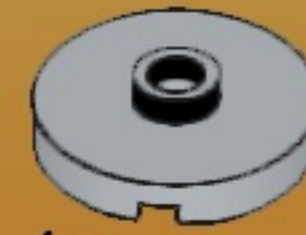
3x
4211398



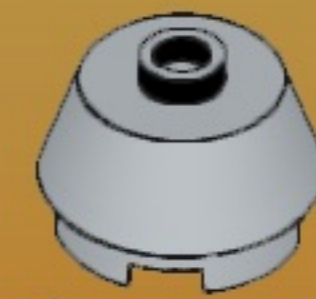
1x
4514195



2x
6004990



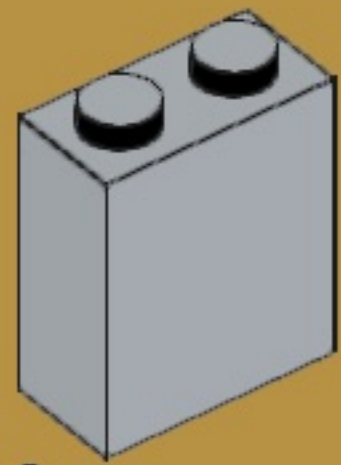
1x
6183782



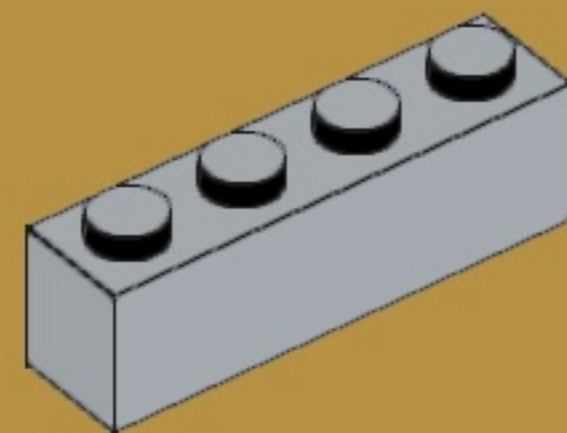
1x
6028324



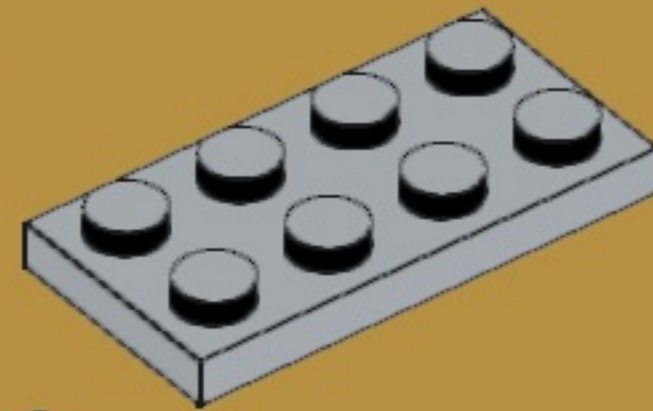
1x
4550170



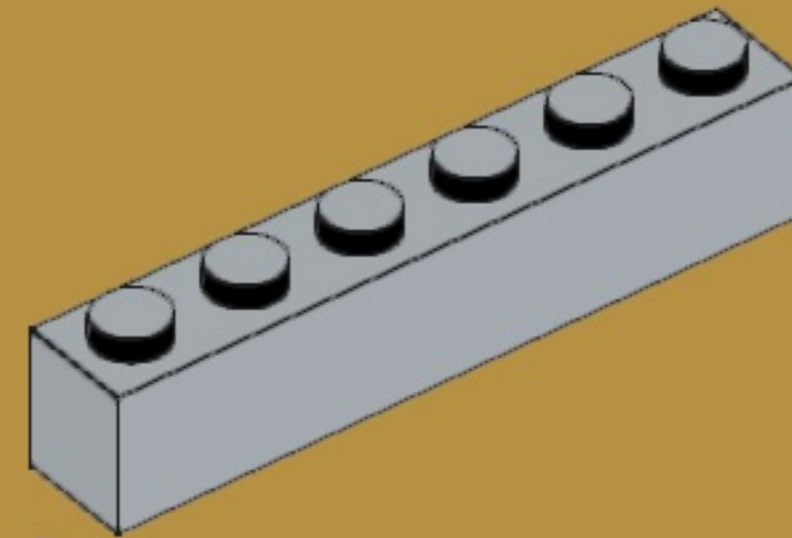
2x
4211564



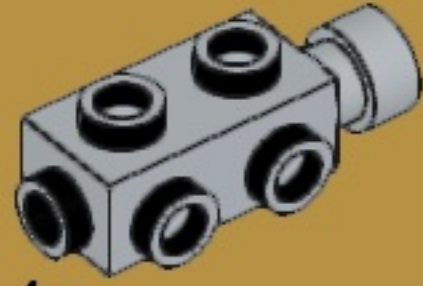
7x
4211394



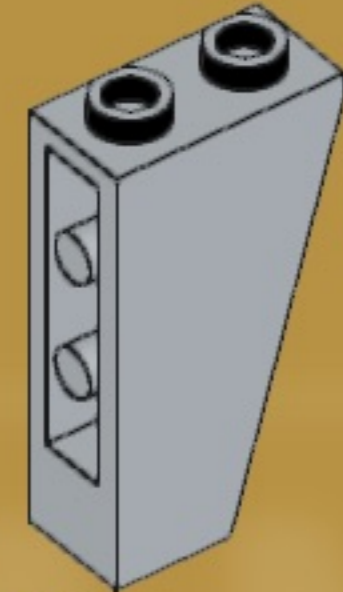
2x
4211395



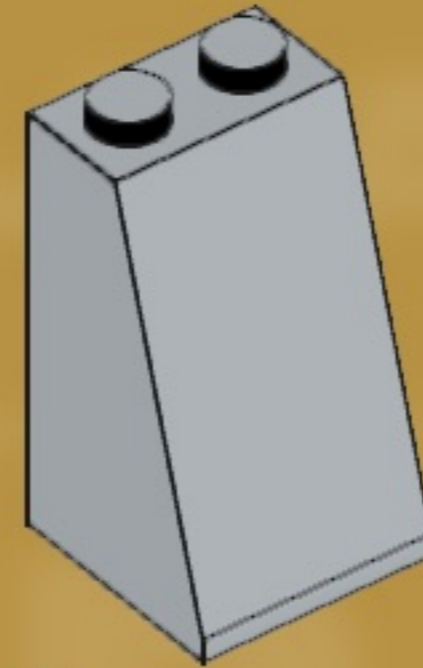
6x
4211393



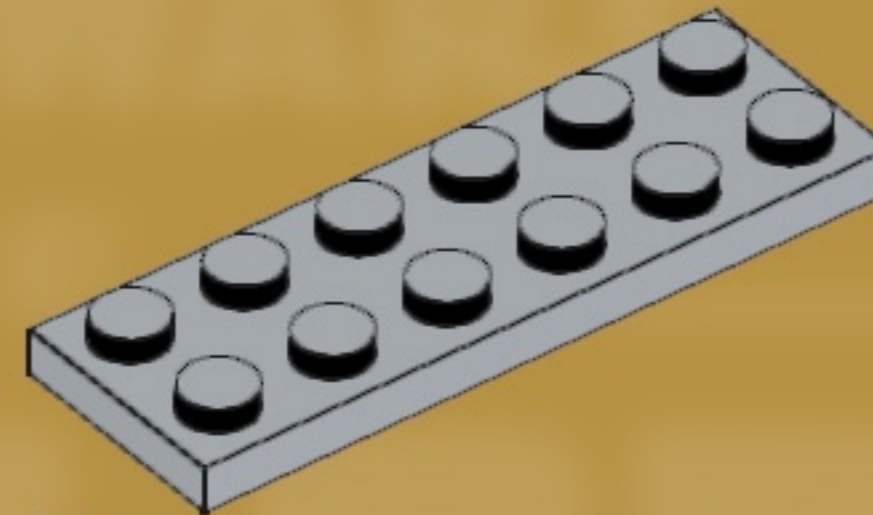
1x
4211502



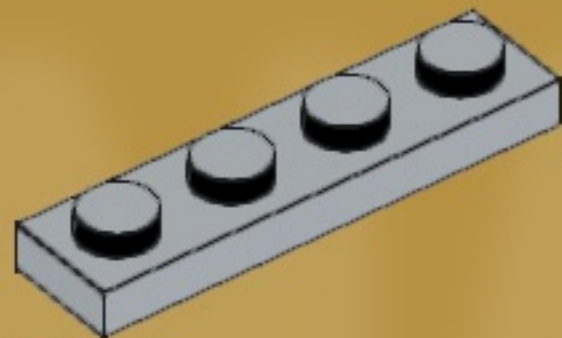
10x
4216248



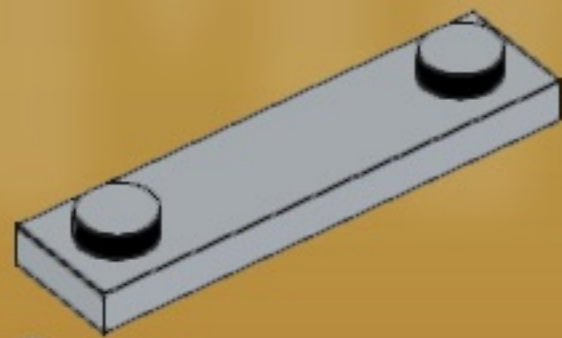
7x
6007894



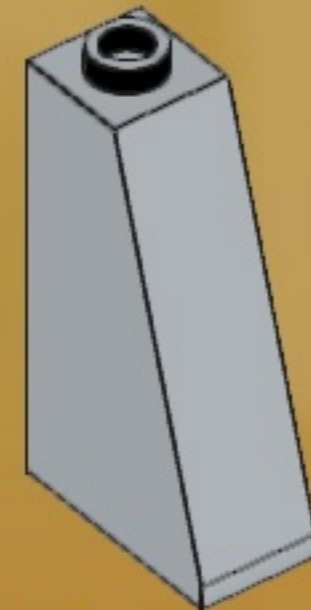
2x
4211452



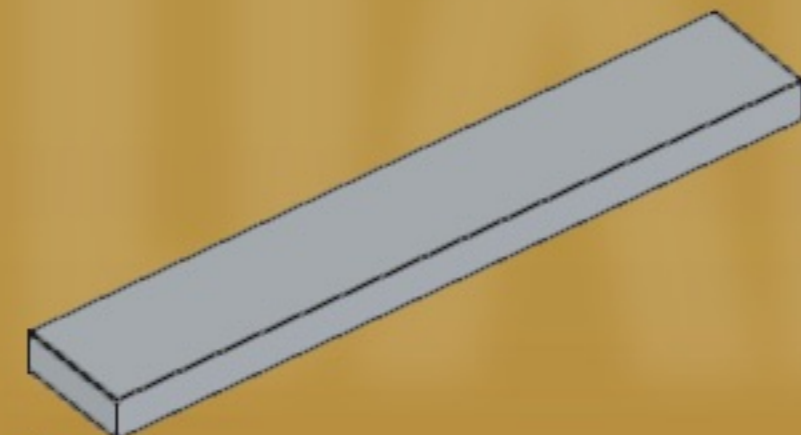
2x
4211445



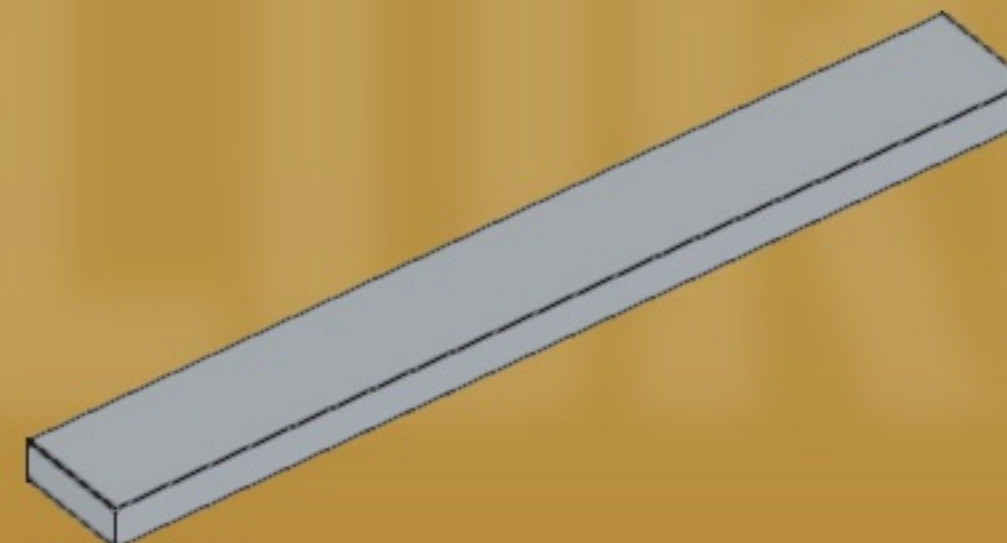
5x
6257593



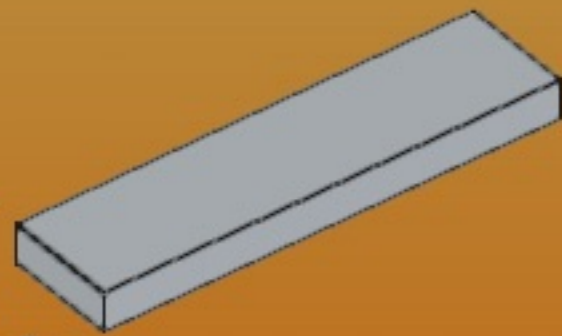
12x
4211494



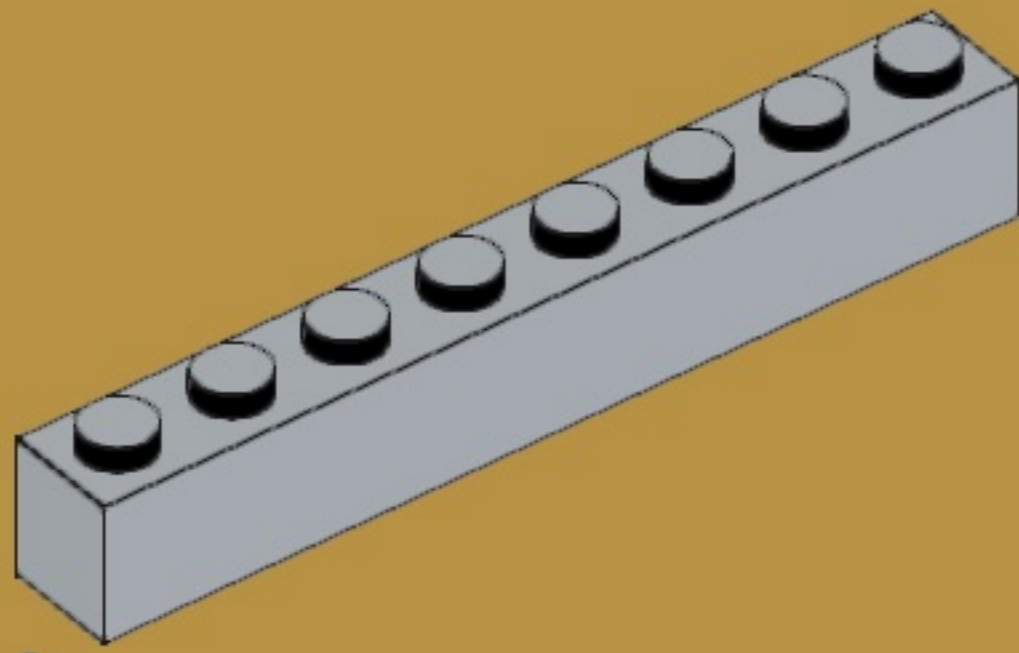
2x
4211549



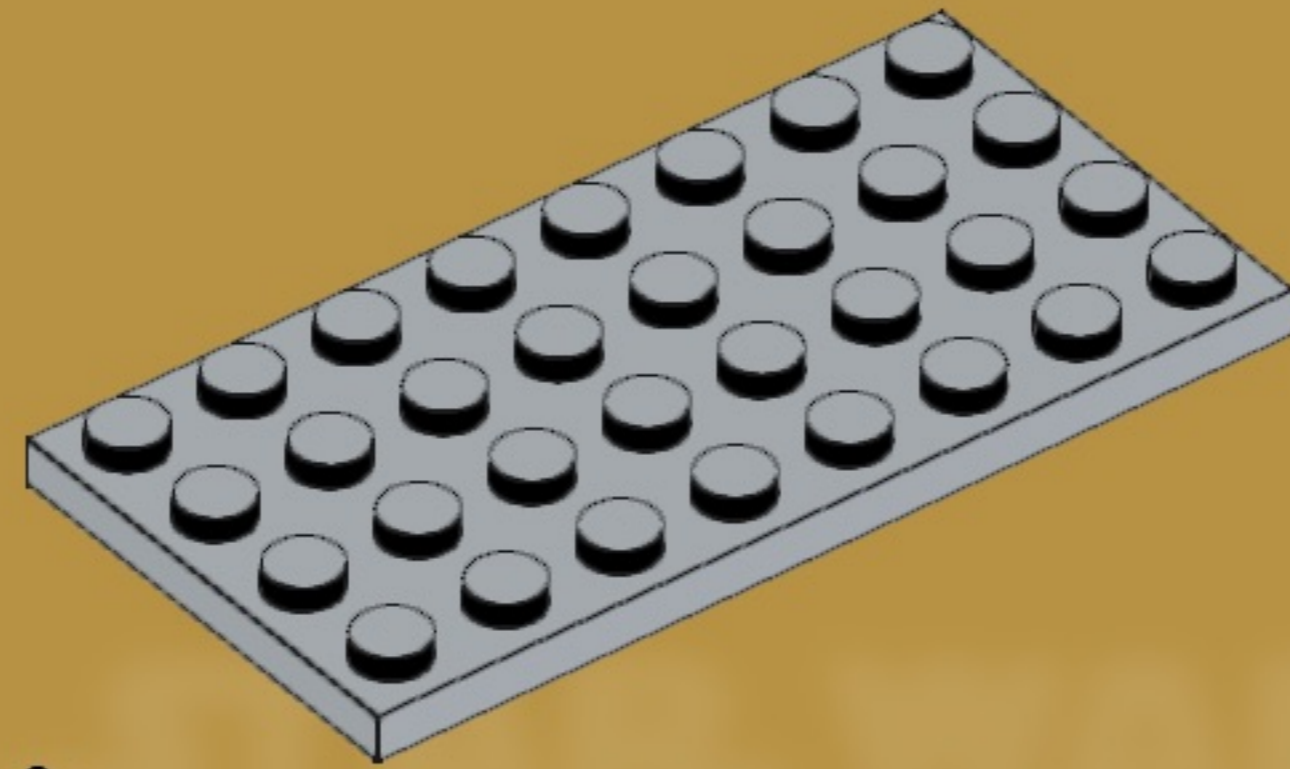
4x
4211481



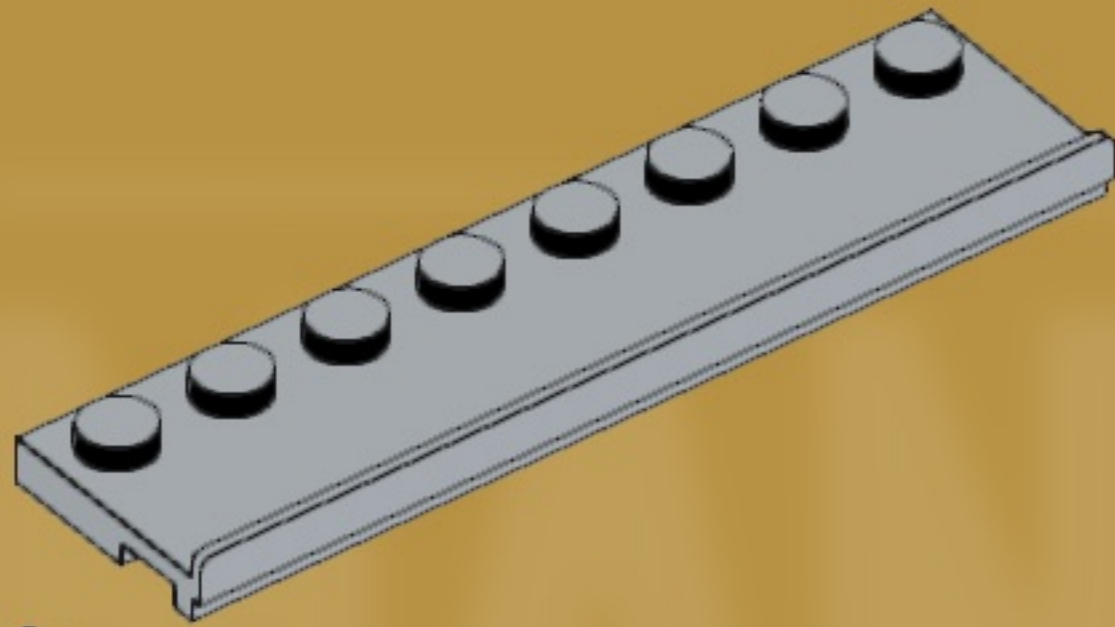
3x
4211356



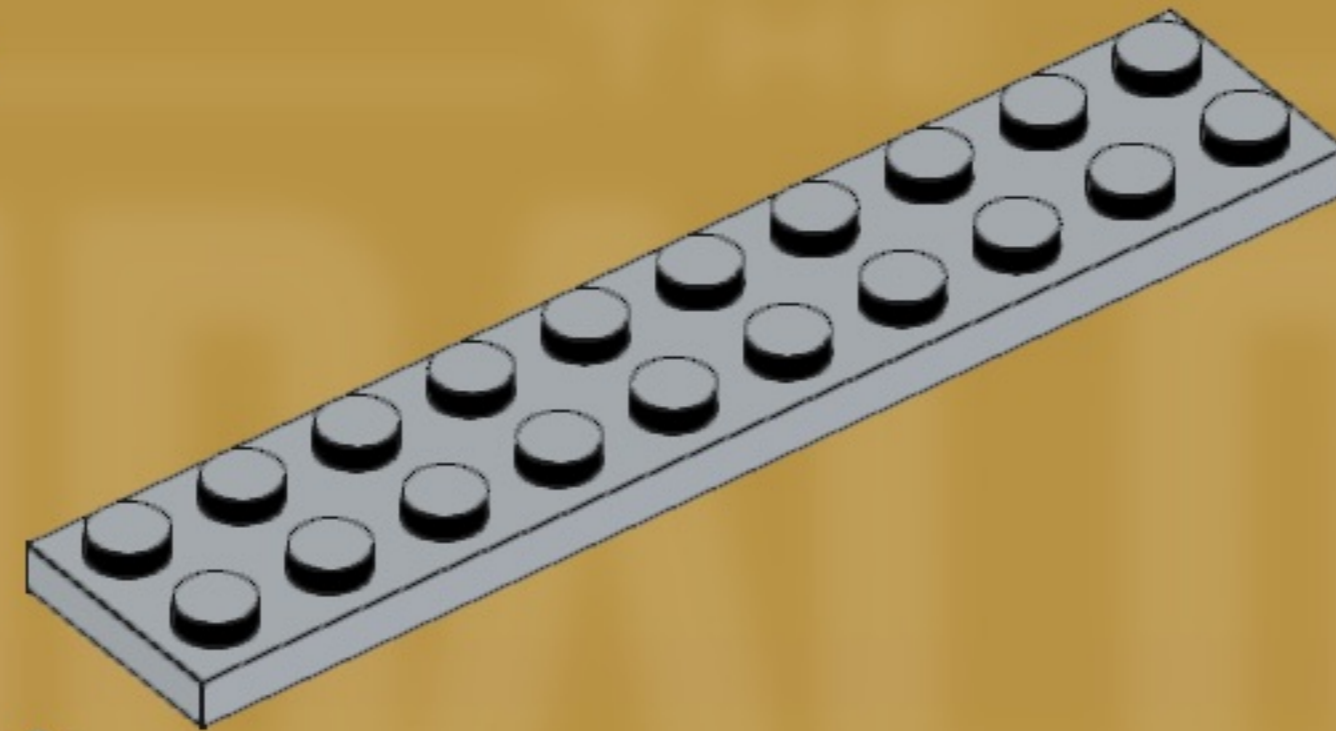
2x
4211392



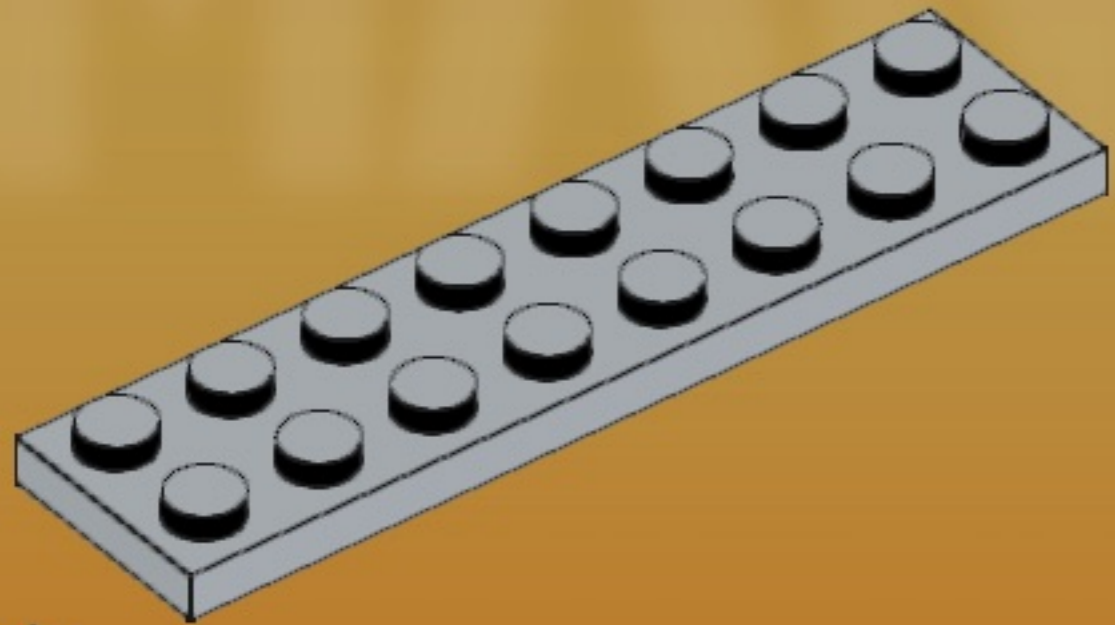
3x
4211407



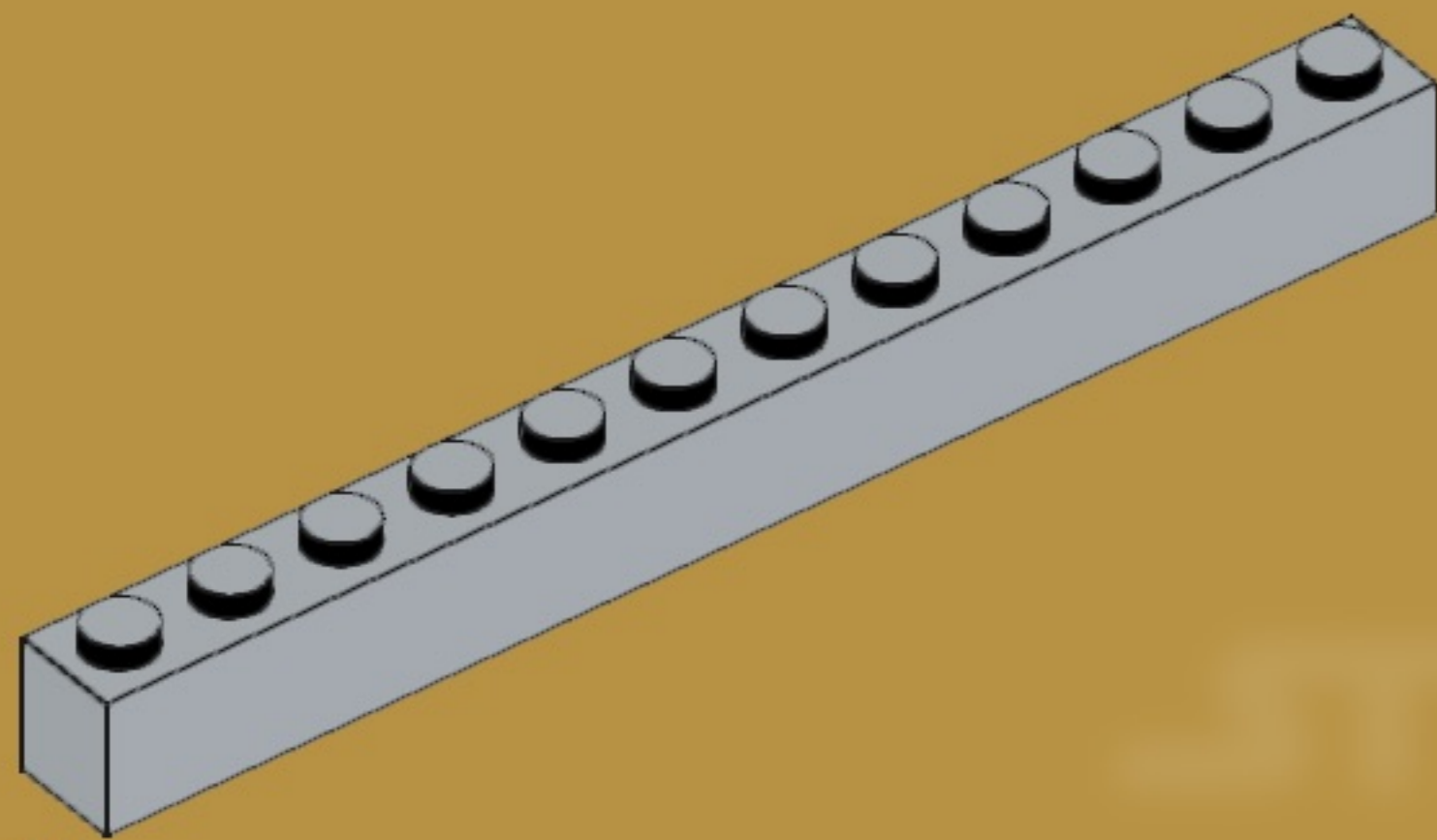
3x
4222019



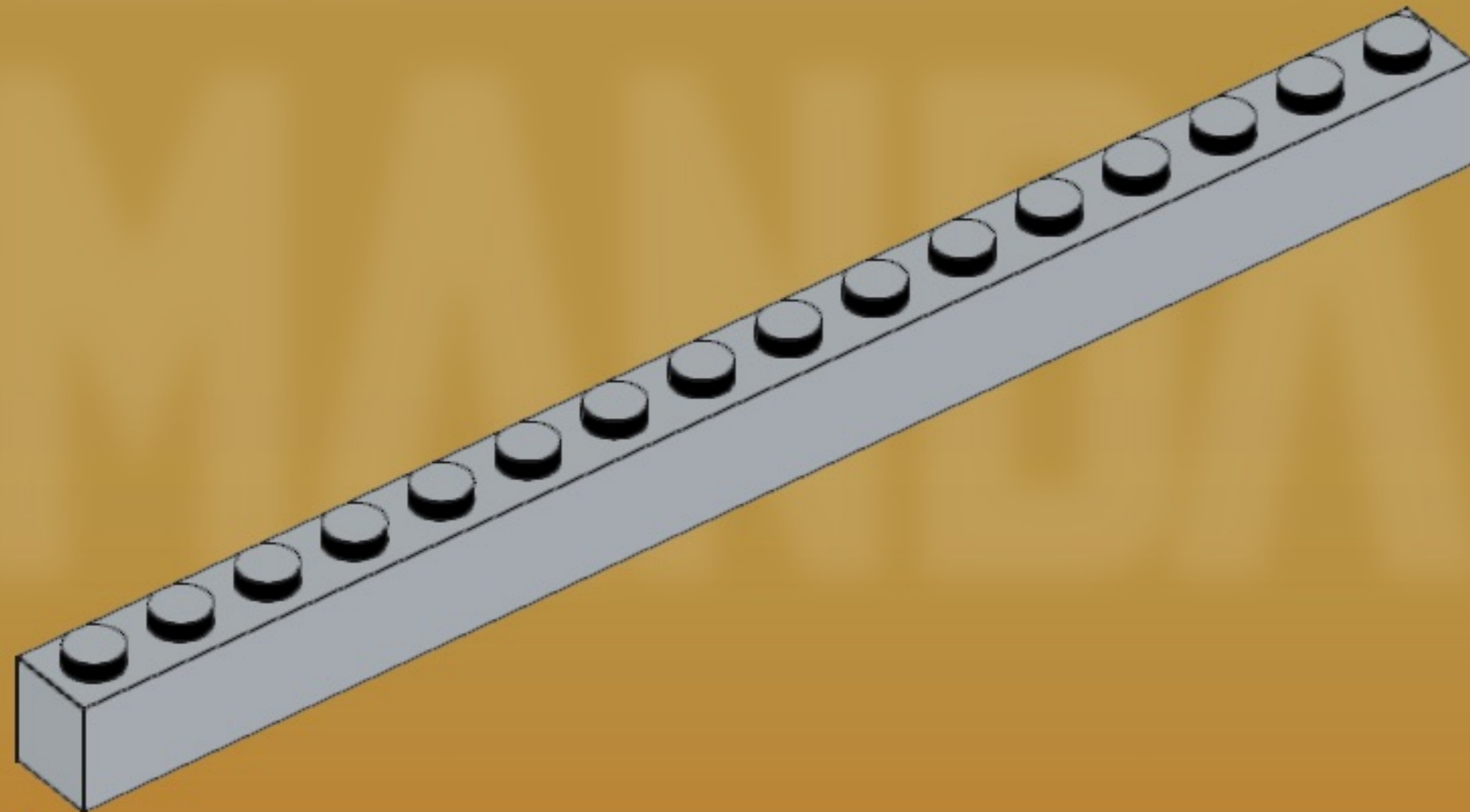
2x
4211462



1x
4211406



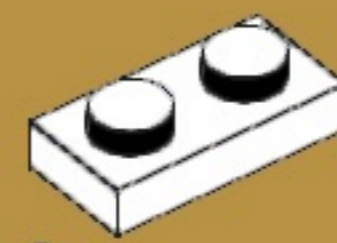
2x
4211522



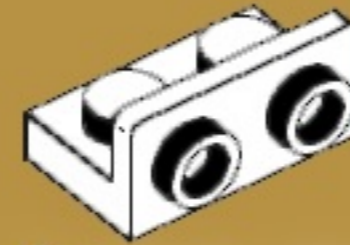
1x
4211366



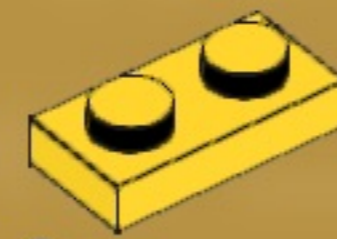
2x
6210076



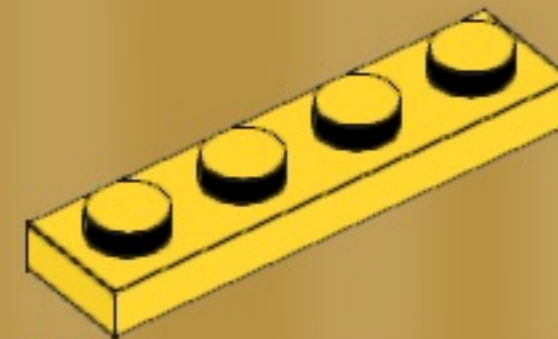
2x
302301



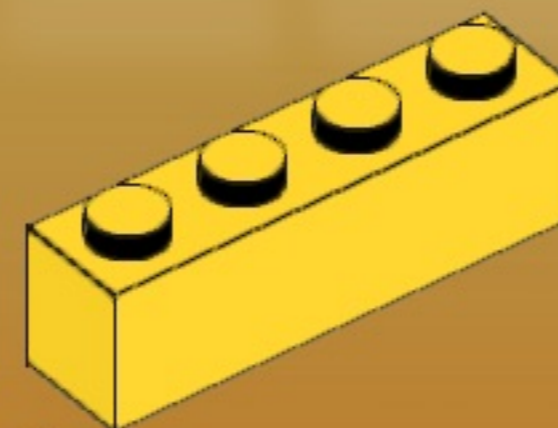
2x
6070698



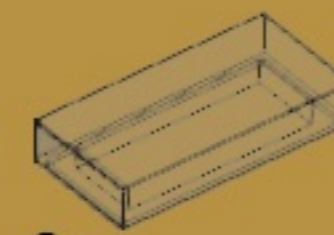
2x
302324



2x
371024



2x
301024



2x
6251292



3x
6285587



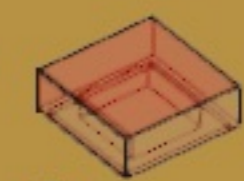
1x



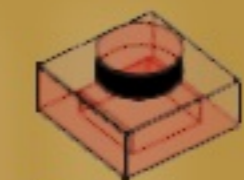
1x



1x



2x
6254248



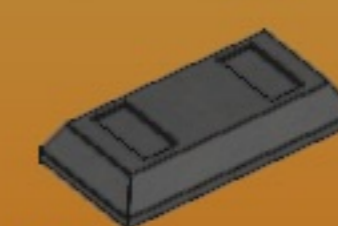
8x
6252042



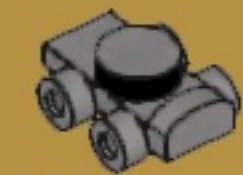
2x
6208450



1x
6245307



6x
6208447



1x
6215447



12x
6336564



1x



1x
6162578



1x
6134587



1x
6222063